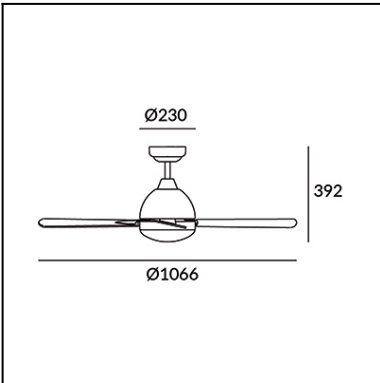
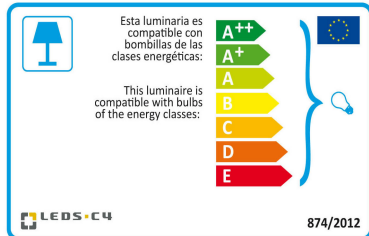




The photograph may not match the reference exactly. Please read the product description to identify the finish.



[Download photometric file .ldt / .ies](#)



[Click on image to download energy label](#)

TECHNICAL CHARACTERISTICS

Type:	Fan
RPM:	100/145/185
IP Protection degrees:	IP20
Light source 1:	2 x E27 MAX.60W Maximum lamp length: 140.00 mm Maximum lamp diameter: 45.00 mm
Total power consumption (W):	160
Voltage / Frequency:	220-240V/50Hz
Warranty (Years):	10
Units per box:	1
Net Weight (Kg):	6.015
EAN:	8435381401726
CFM:	4150.00



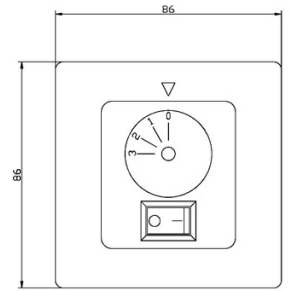
MATERIALS / FINISHES

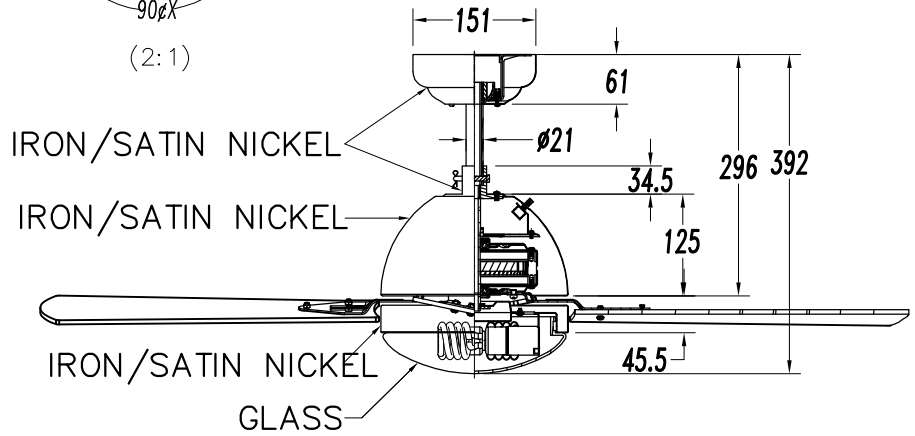
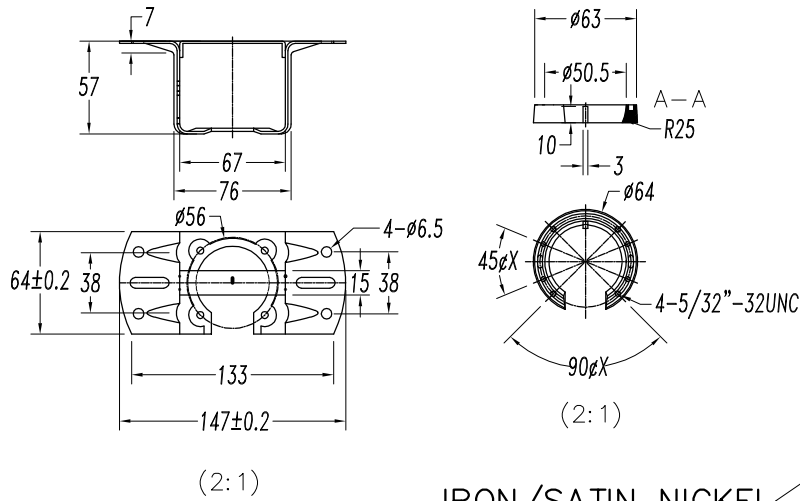
Structure material:	Steel	Diffuser material:	Glass
Structure finish:	Patine	Diffuser finish:	Matt opal
Blades material:	Plywood		
Blades finishes:	Beech Teak		

71-4932-00-00

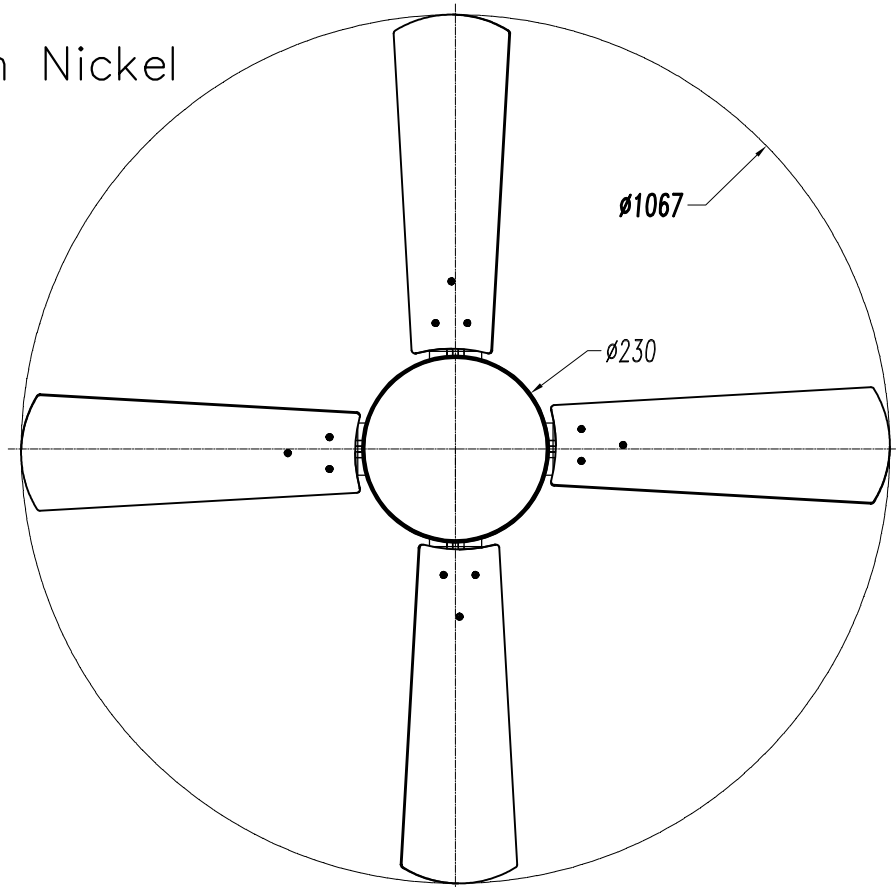
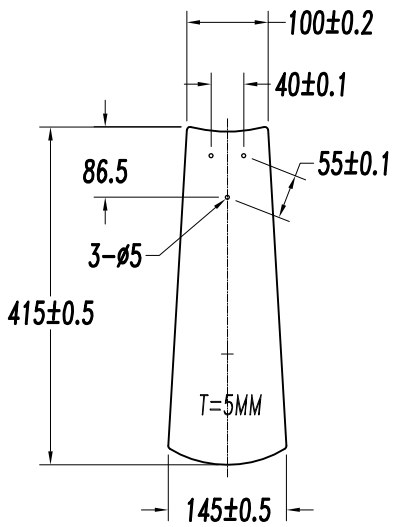


Optional lighting kit, Bright white





WOOD/White&Satin Nickel





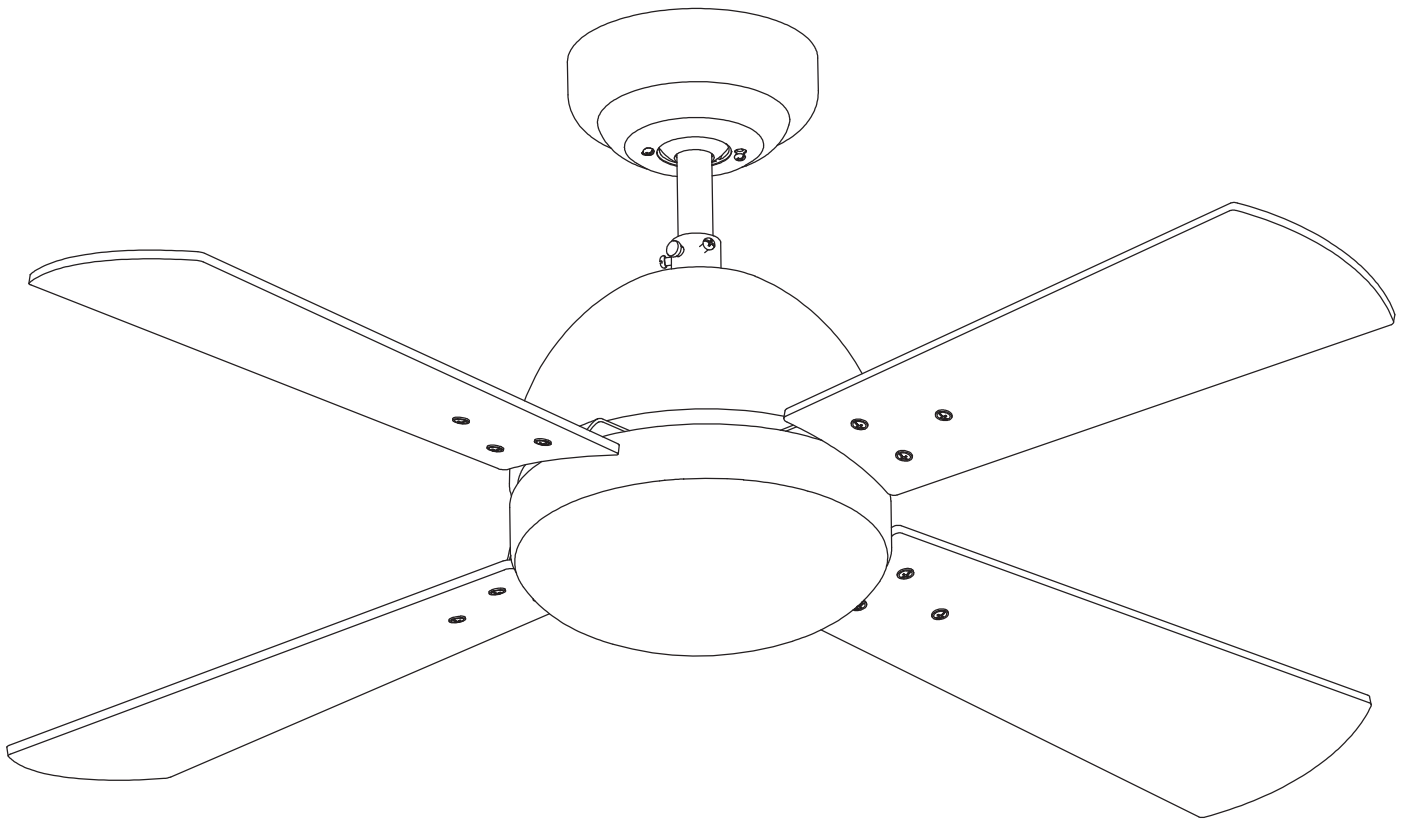
LED S-C4

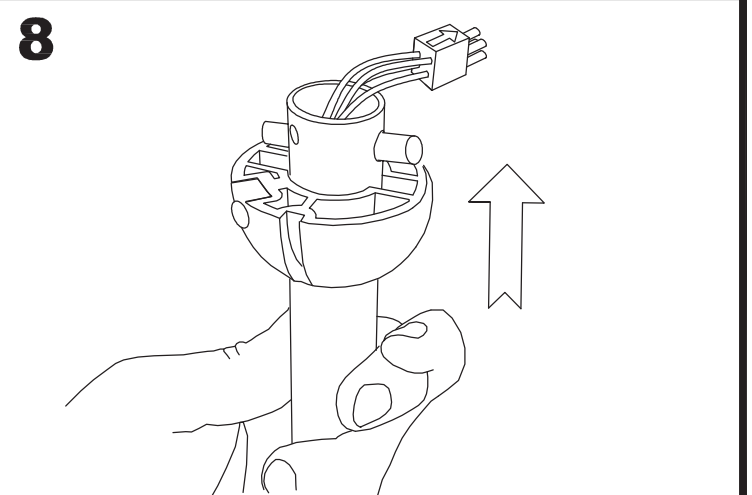
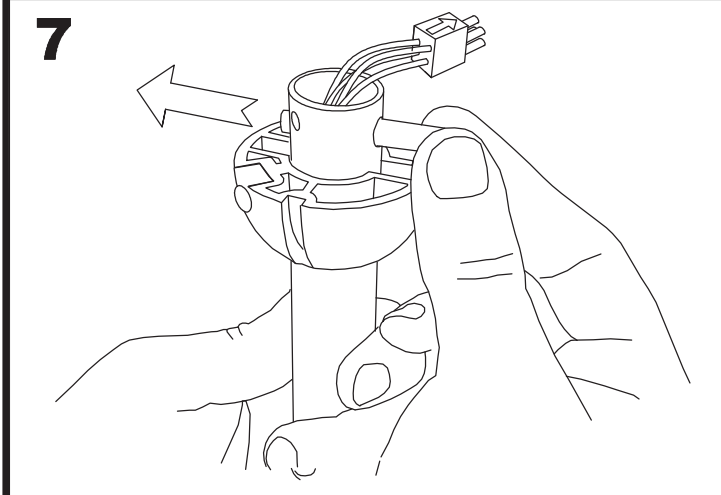
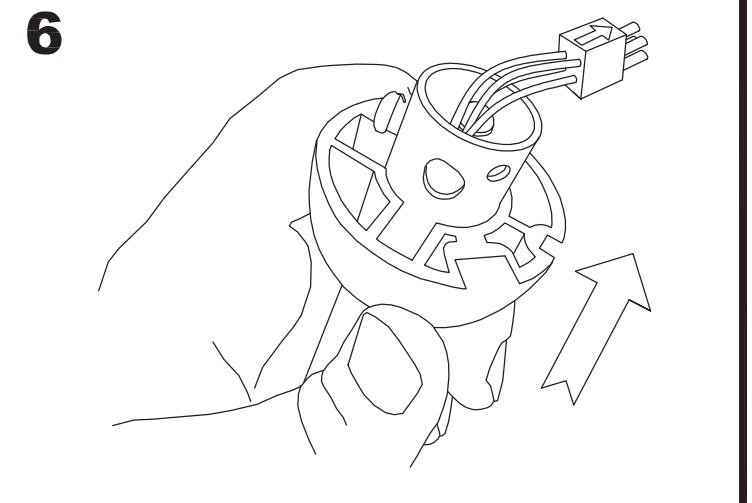
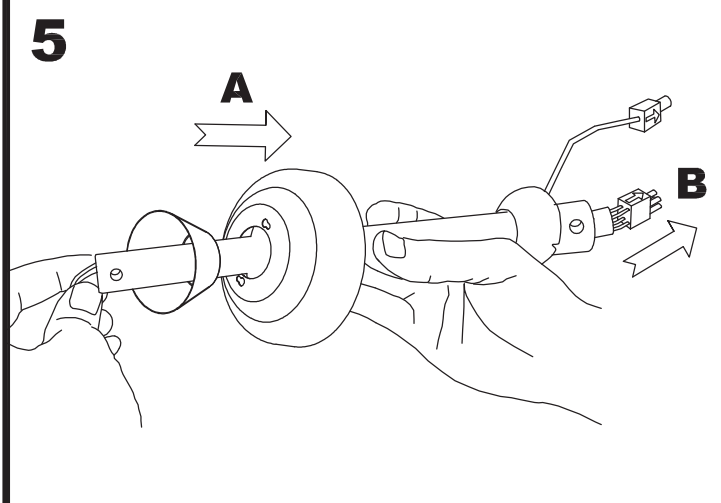
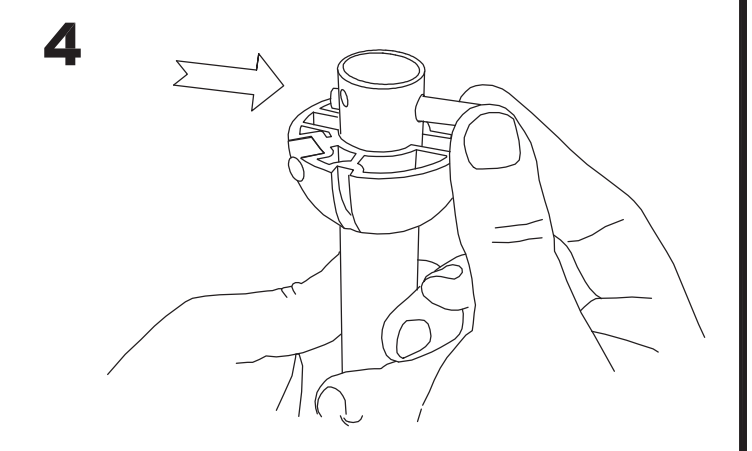
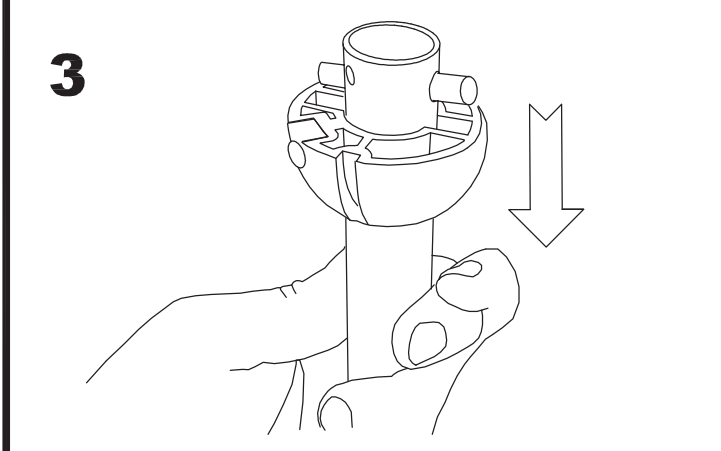
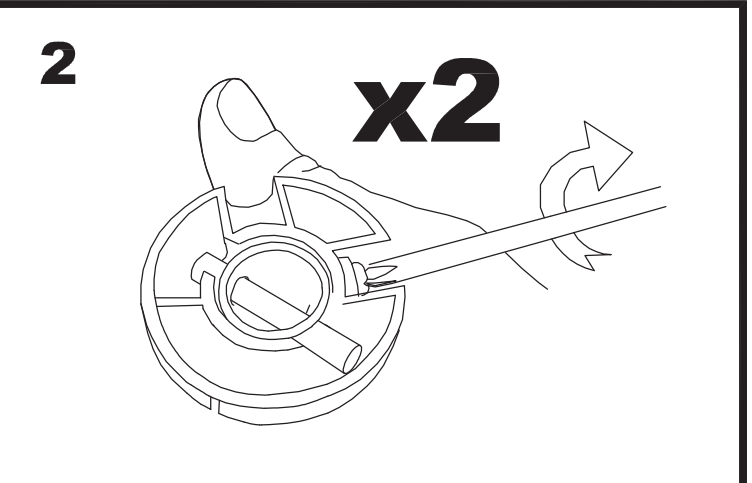
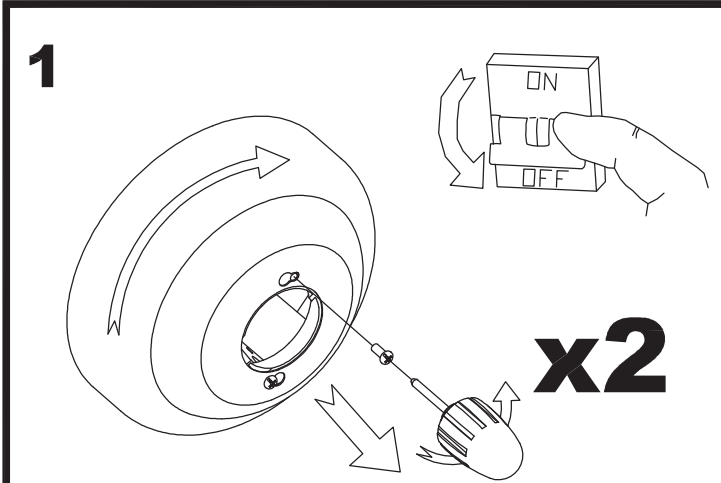
30-4399-14-F9

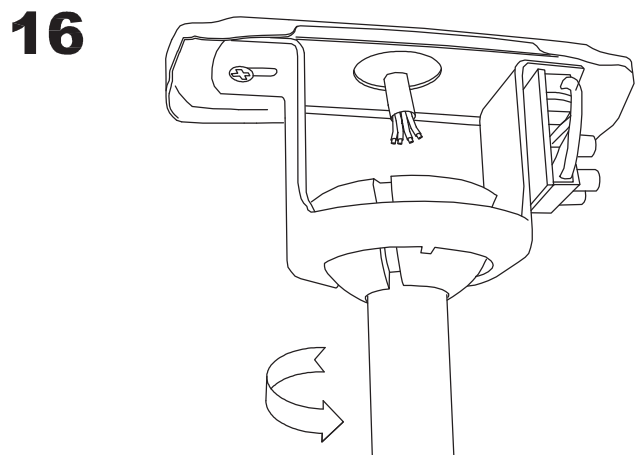
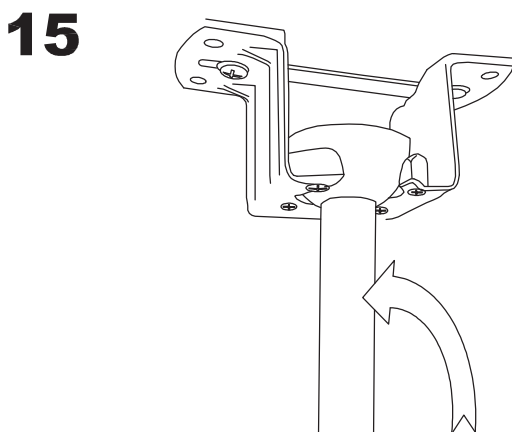
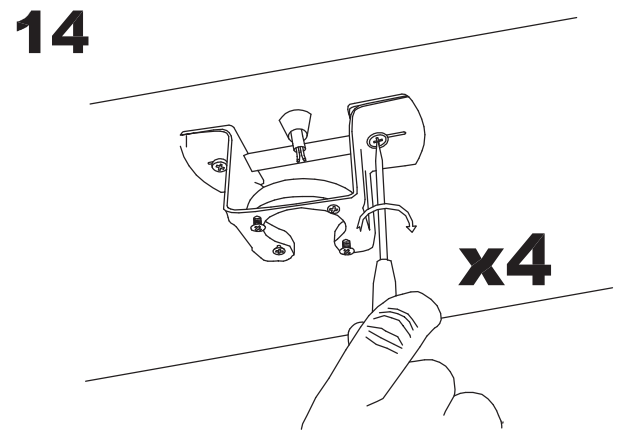
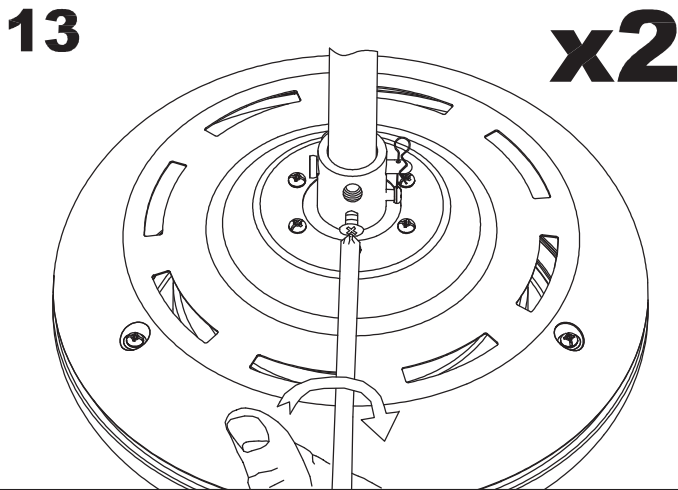
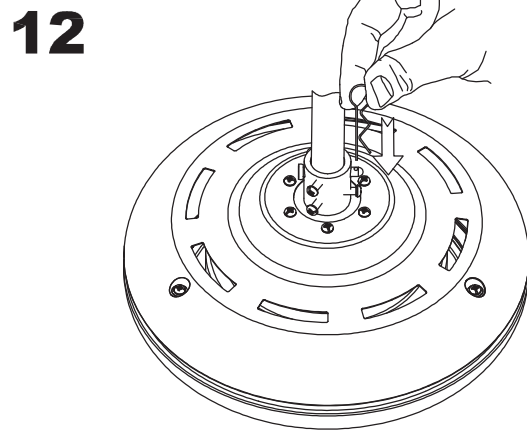
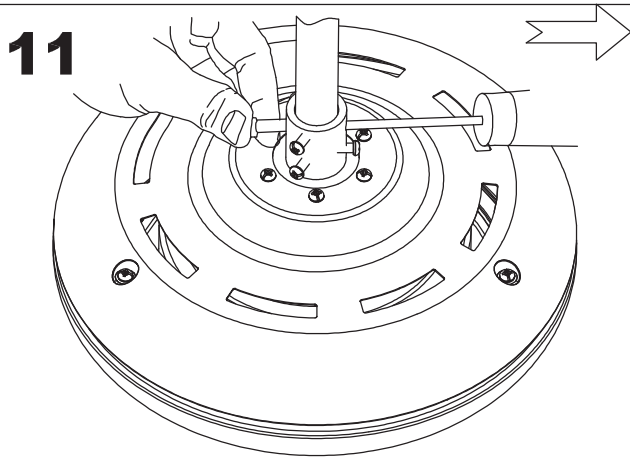
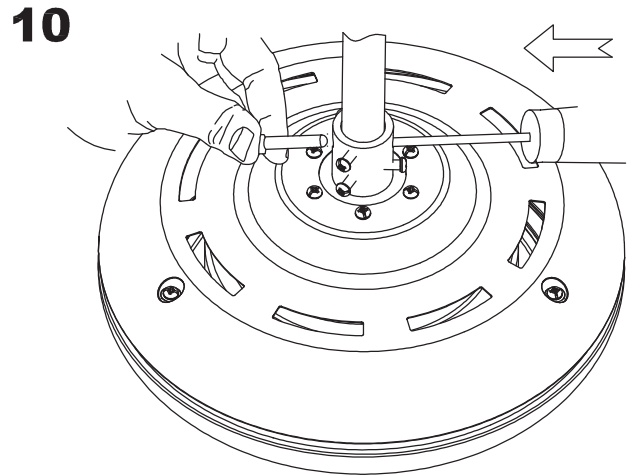
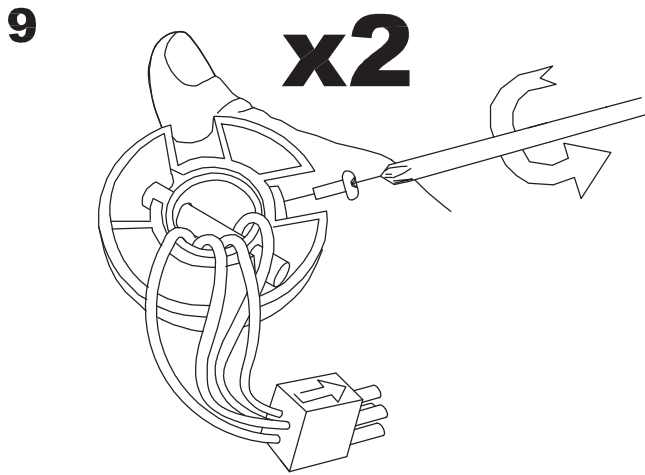
30-4399-E4-F9

30-4399-J7-F9

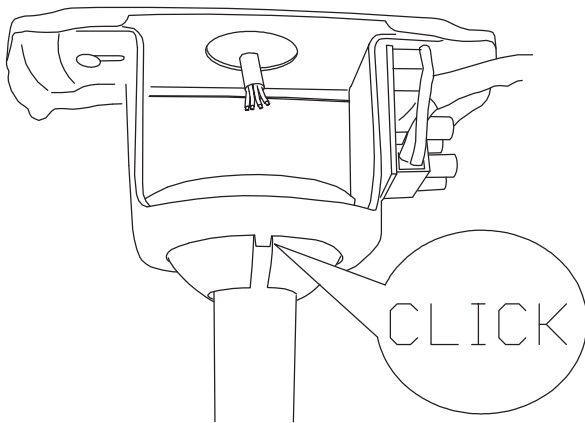
30-4399-81-F9



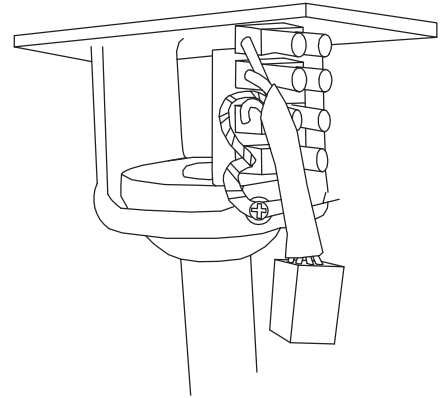




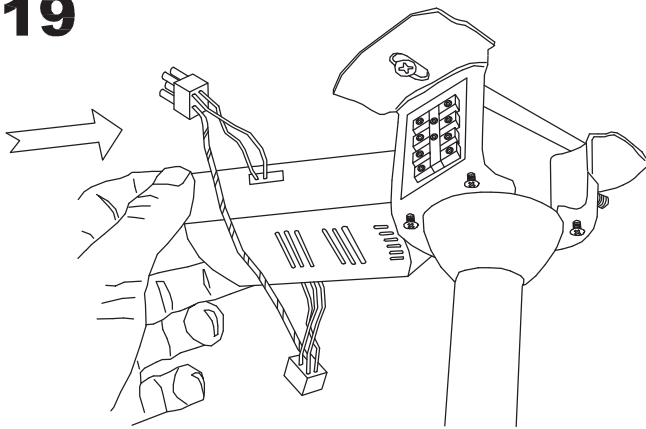
17



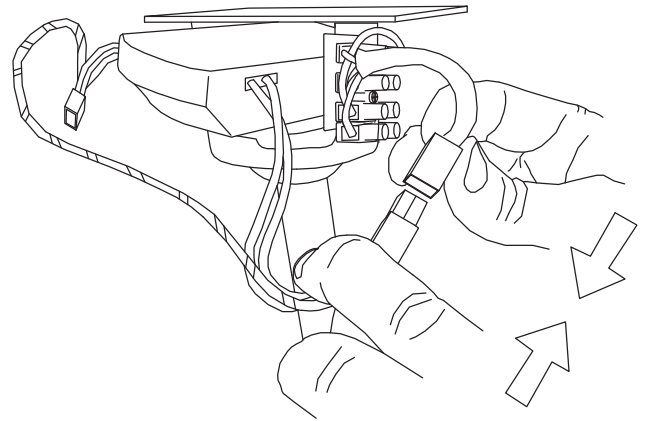
18



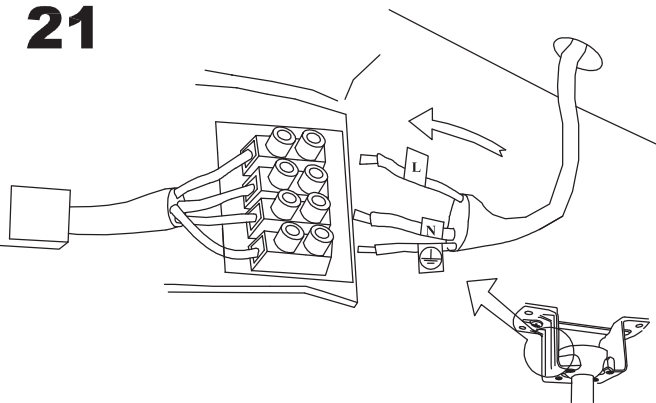
19



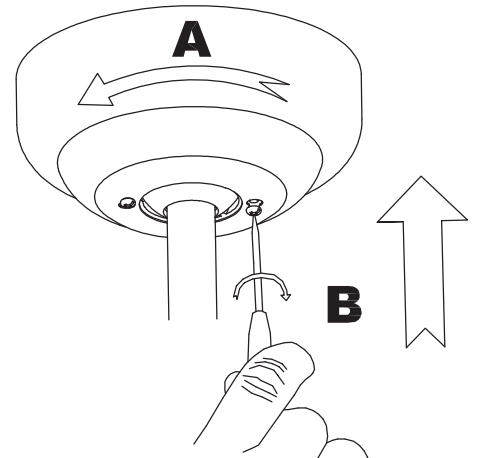
20



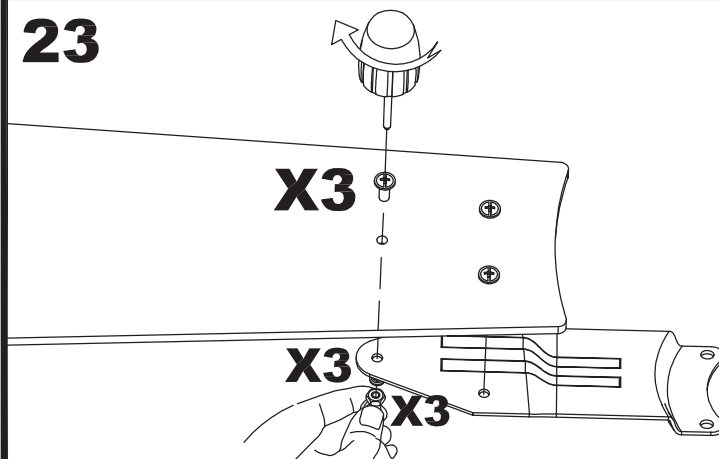
21



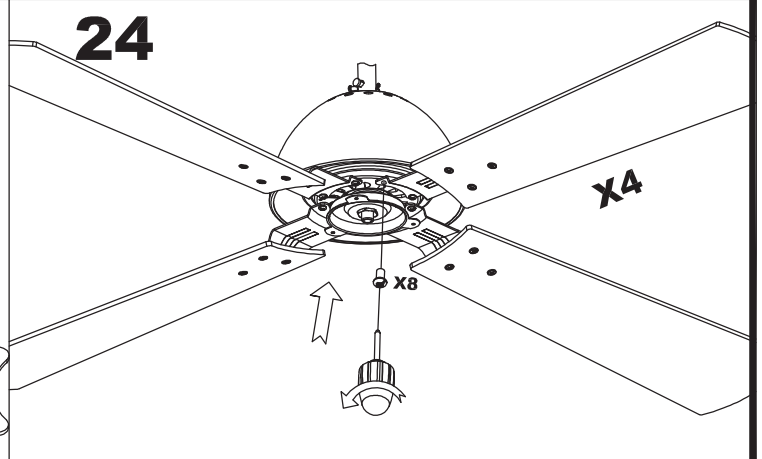
22

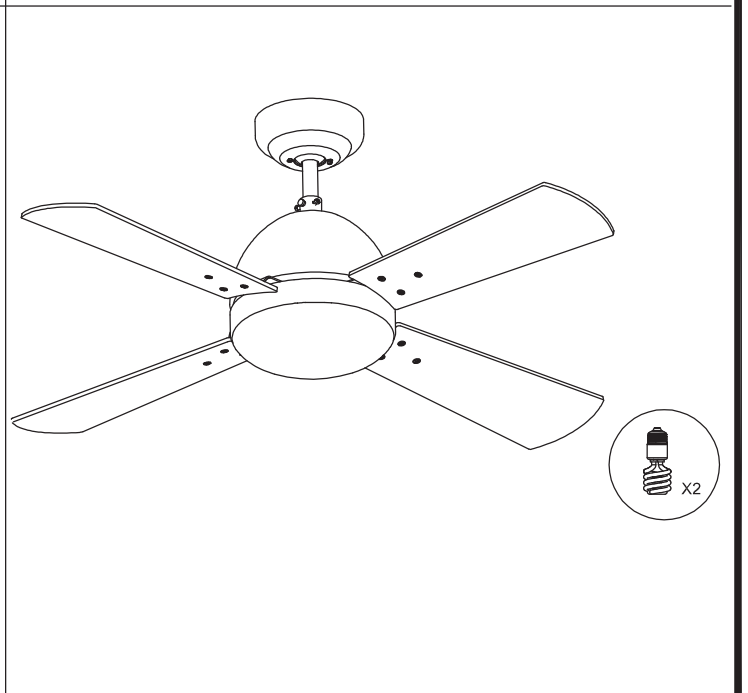
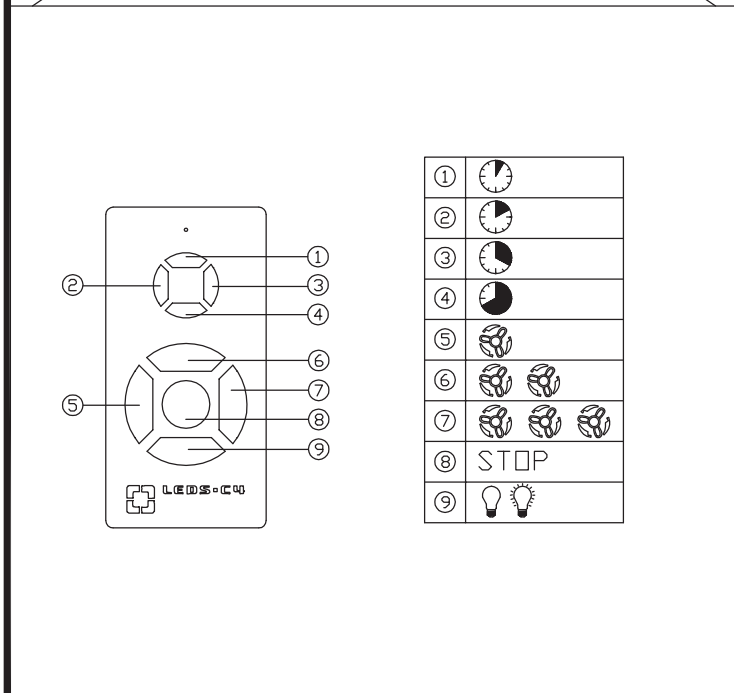
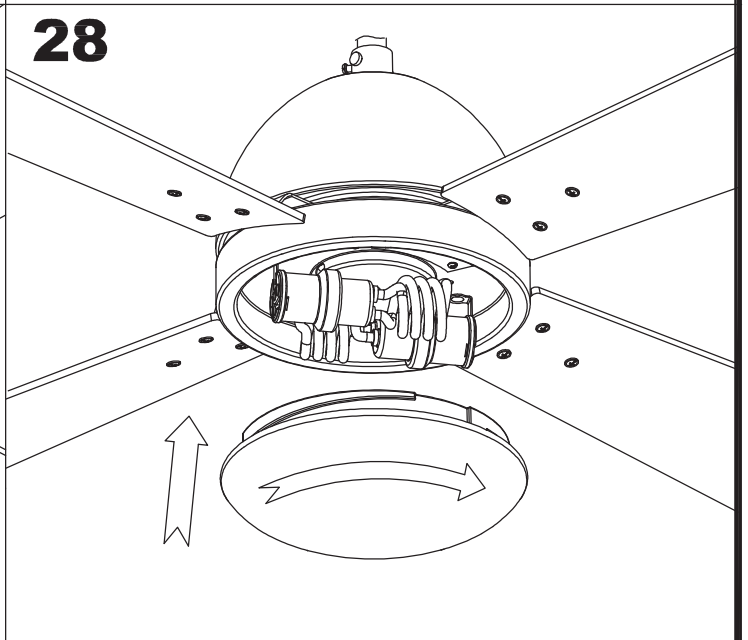
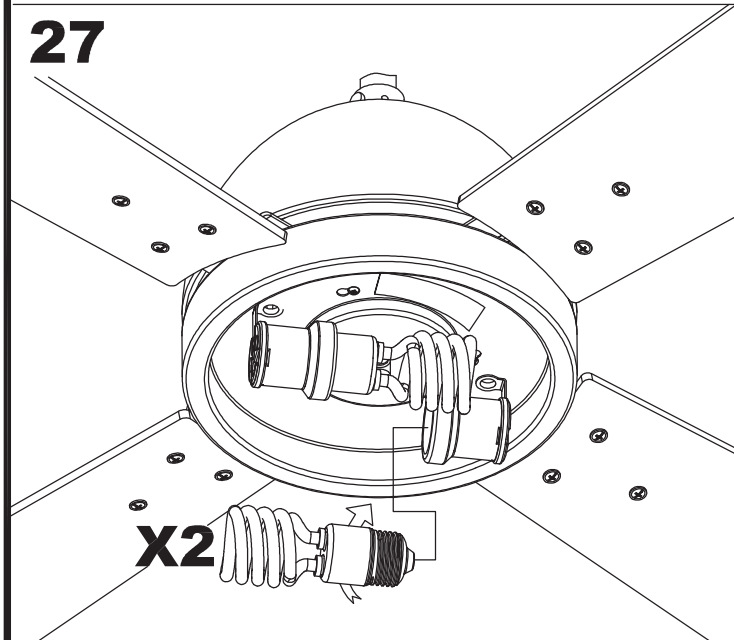
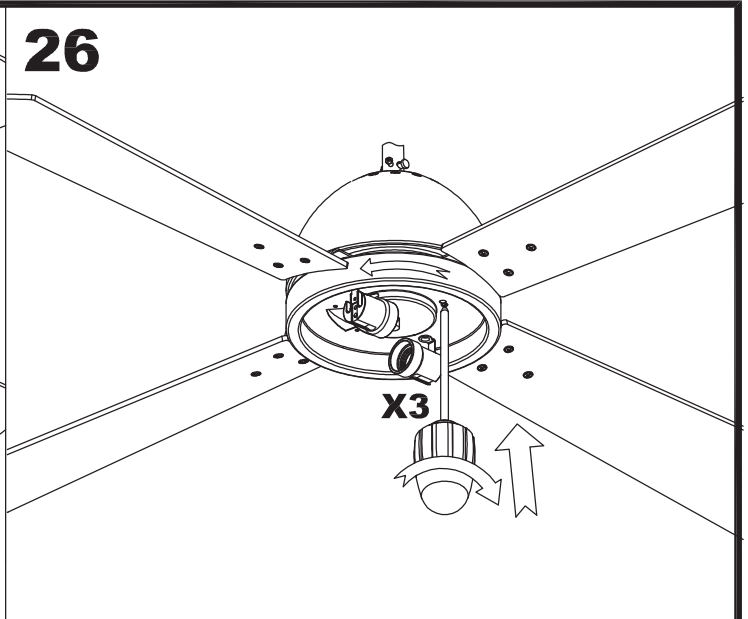
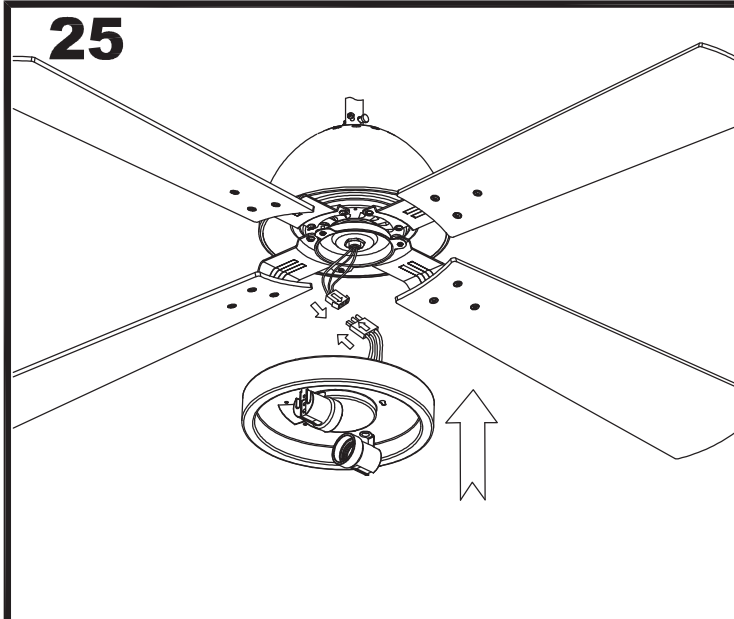


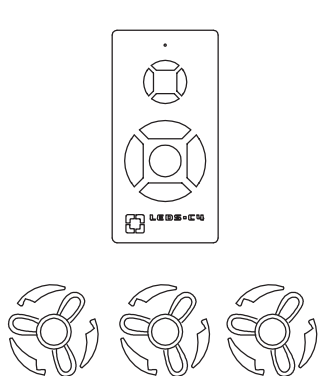
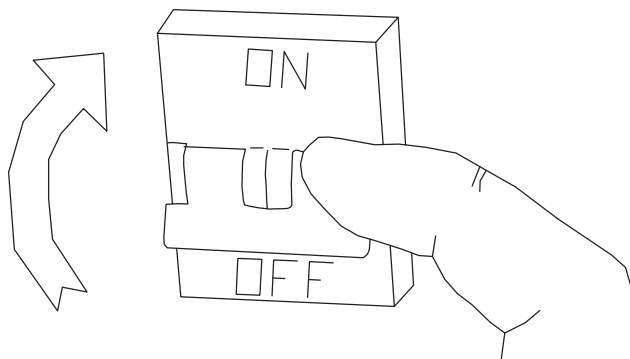
23



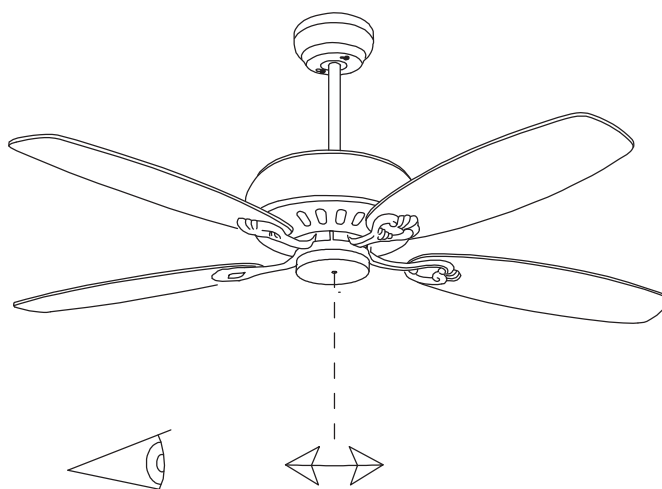
24



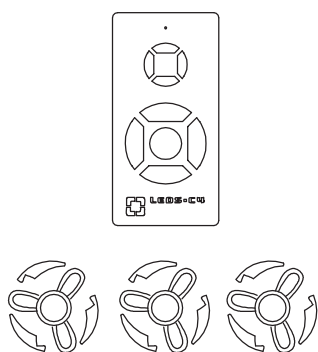




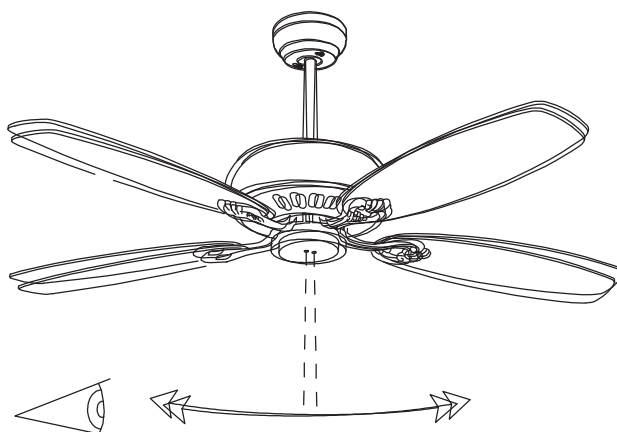
ON



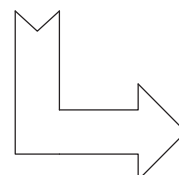
≡ **OK**

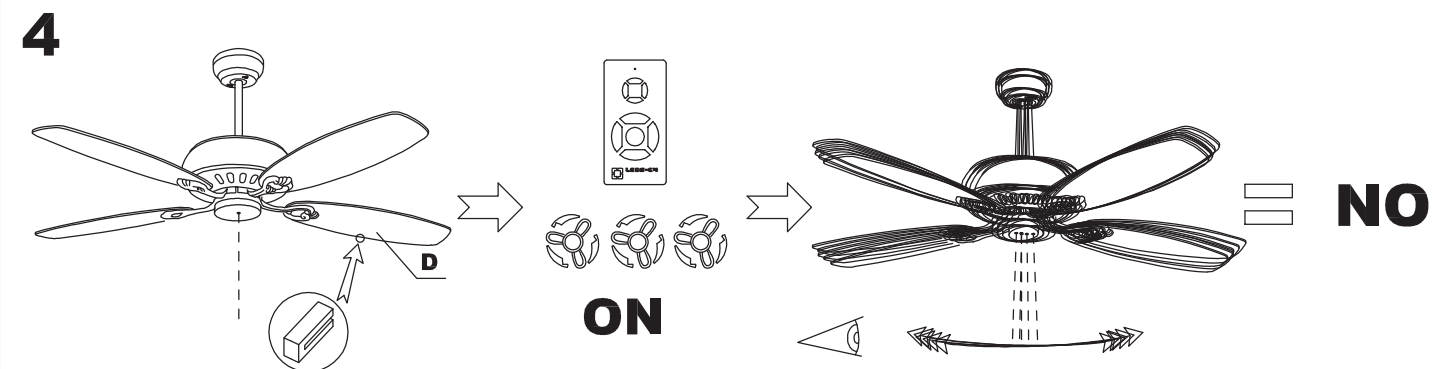
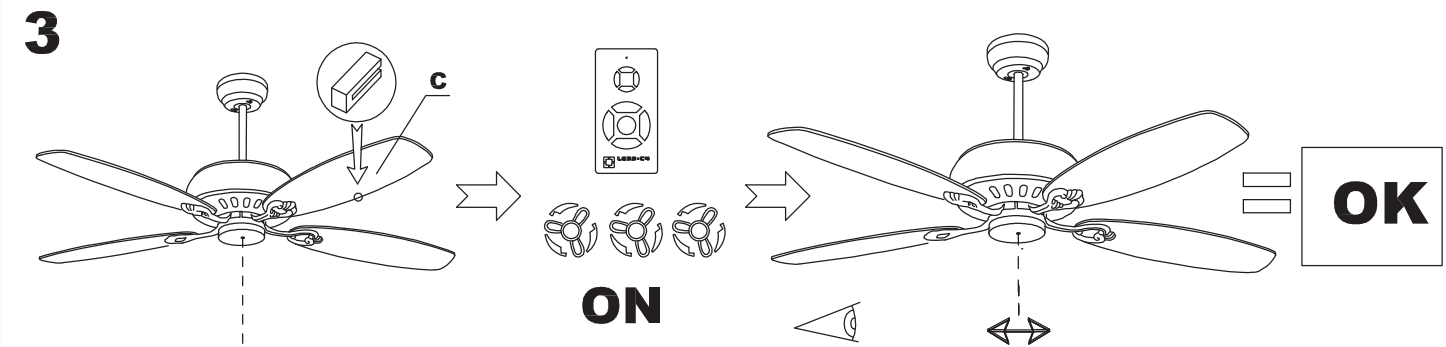
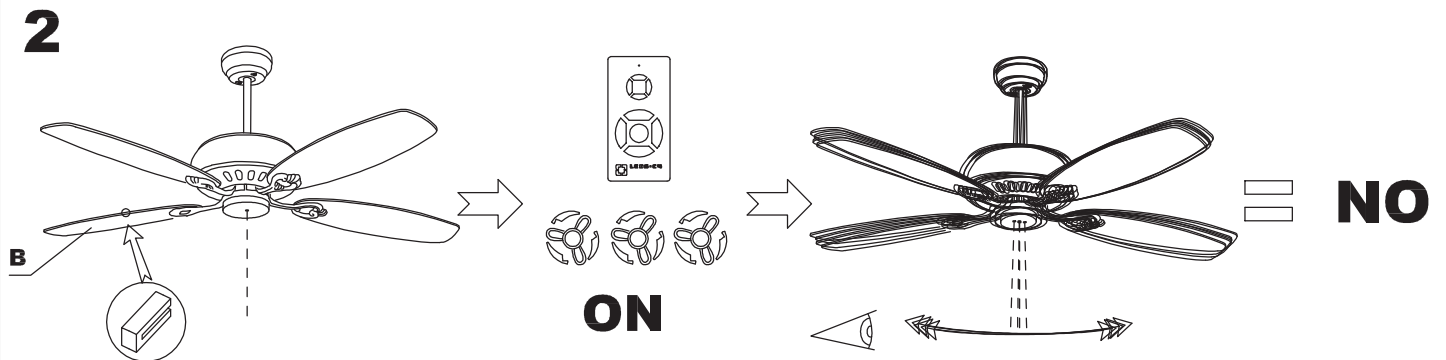
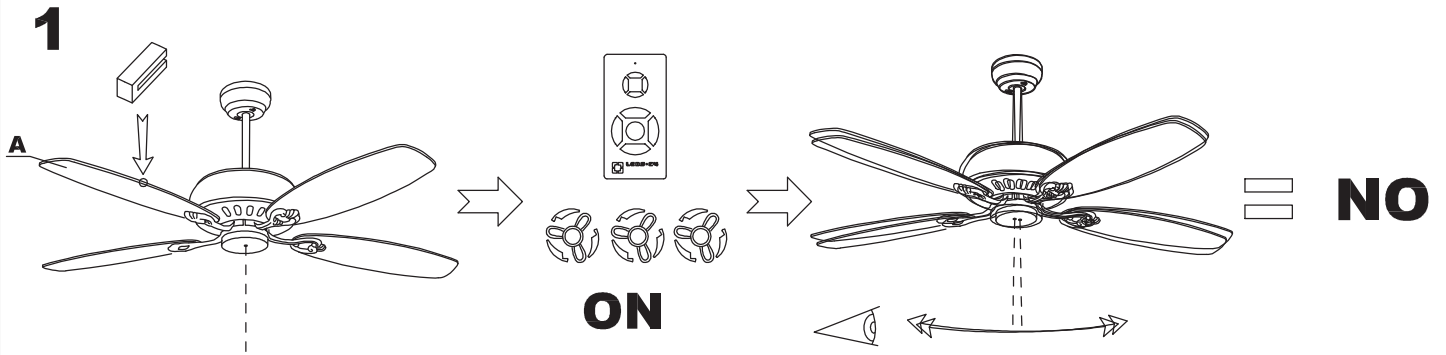
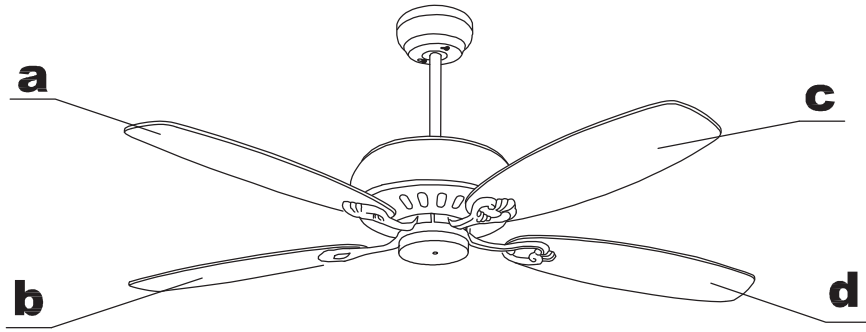


ON

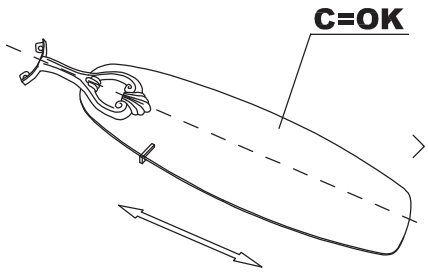


≡ **NO**

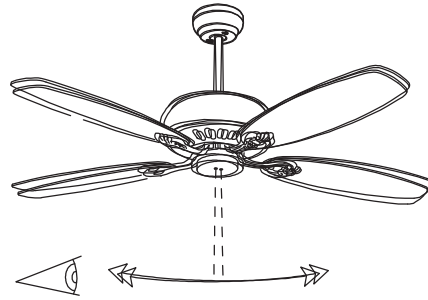




5

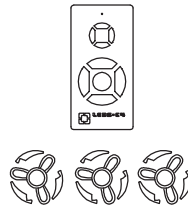
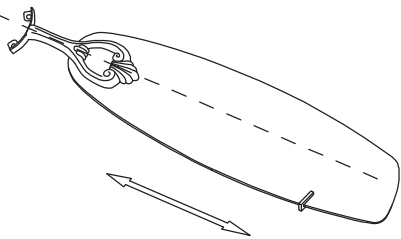


ON

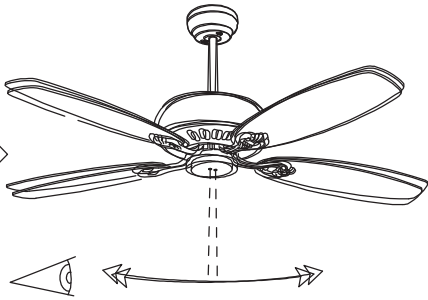


= NO

6

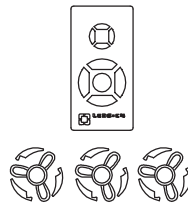
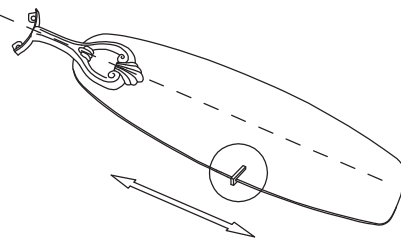


ON

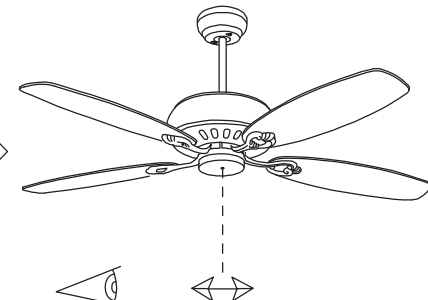


= NO

7



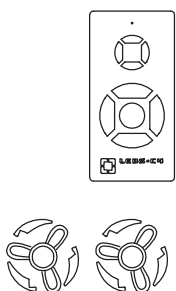
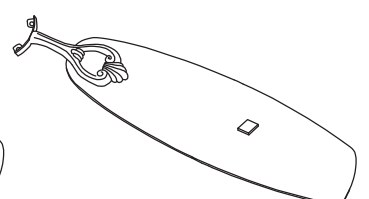
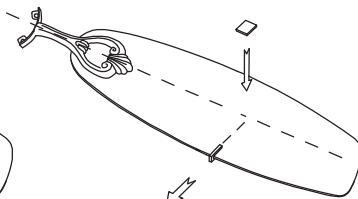
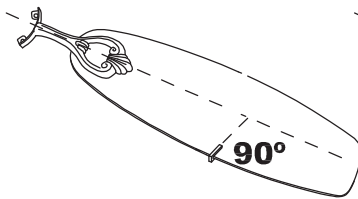
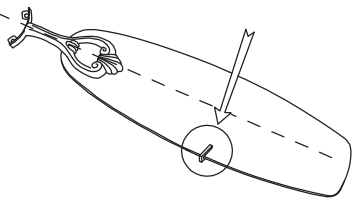
ON



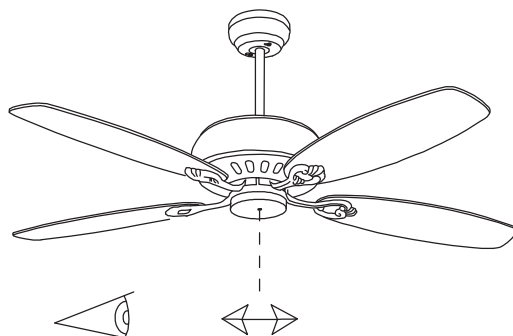
= OK

8

OK



ON



= OK