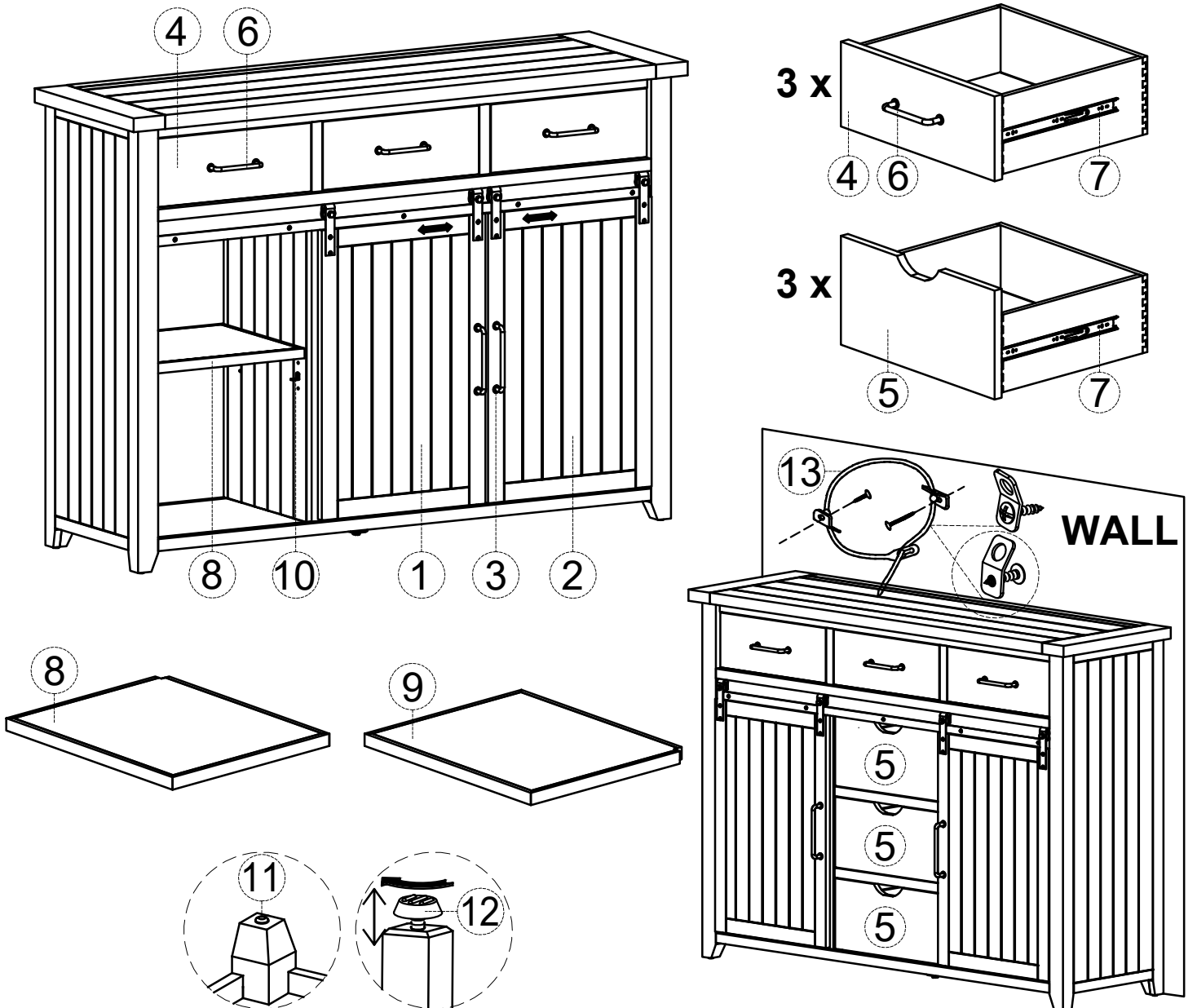


ASSEMBLY INSTRUCTIONS & PARTS IDENTIFICATION

DRESSER

Thank you for purchasing this quality product. Be sure to check all packing material carefully for small parts that may have come loose inside the carton during shipment.

Parts key					
No	Qty	Description	No	Qty	Description
1	1 pc	Left Facing Wood Door	8	1 pc	Left Shelf
2	1 pc	Right Facing Wood Door	9	1 pc	Right Shelf
3	2 sets	Pull w/Screws for Door	10	8 pcs	Shelf Pin
4	3 pcs	Top Drawer Complete	11	4 pcs	Floor glide
5	3 pcs	Bottom Drawer Complete	12	1 pc	Floor leveler
6	3 sets	Pull w/Screws for Drawer	13	1 set	Anti - tip kit
7	6 sets	Full Extension glide			



PLEASE NOTE : To help prevent the possibility of tip-over, install the ANTI- TIP OVER restraint provided.