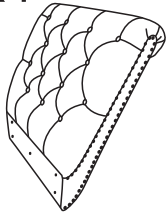
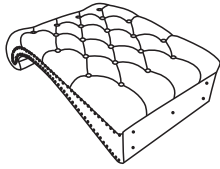
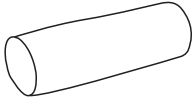









ASSEMBLY INSTRUCTION

Ax1 	Bx1 	Cx1 	Dx2 	Ex2 
Fx4 	Gx5 	Hx5 	Ix5 	Jx1 

1 Install the screw in the middle firstly, then install other four screws

A B

H I G

2

3

4