

STORAGE

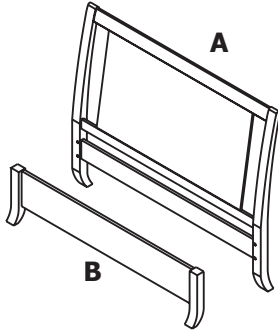
C-KING SIZE

ASSEMBLY INSTRUCTIONS

PARTS AND FITTING PACKAGING DETAIL

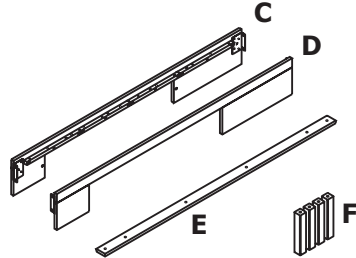
BOX #1

- A. HEADBOARD 1 PC
- B. FOOTBOARD 1 PC



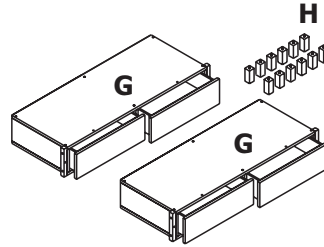
BOX #2

- C. LEFT SIDERAIL 1 PC
 - D. RIGHT SIDERAIL 1 PC
 - E. CENTER SLAT 1 PC
 - F. LEG SUPPORTS 4 PCS
- HARDWARE BOX*



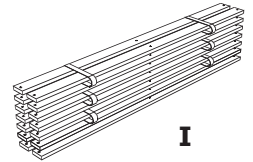
BOX #3

- G. STORAGES 2 PCS
- H. STORAGE FEETS 12 PCS

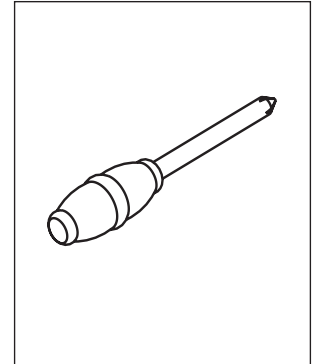


BOX #4

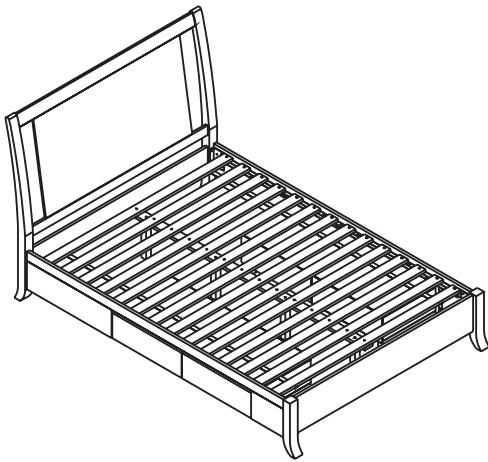
- I. BED SLATS 14 PCS



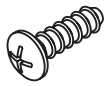

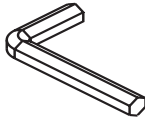
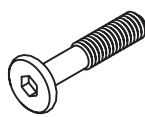


TOOL REQUIRED :
PHILLIPS HEAD SCREW DRIVER (NOT PROVIDED)



STORAGE ASSEMBLED



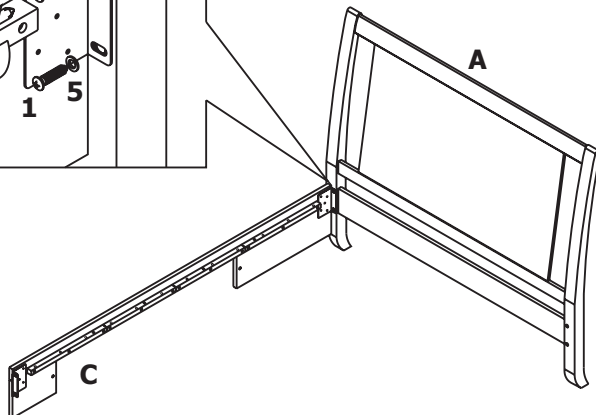
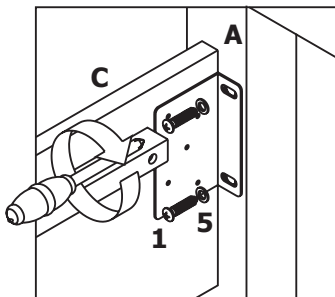
HARDWARE* PACKED IN BOX #2

1	PHILLIPS HEAD BOLTS 20MM	8 PCS	2	WOOD SCREWS Ø8X30MM	12 PCS
					
3	ALLEN KEY	1 PC	4	ALLEN BOLTS 40MM	18 PCS
				5	WASHERS 8MM
					
					

STEP 1 :

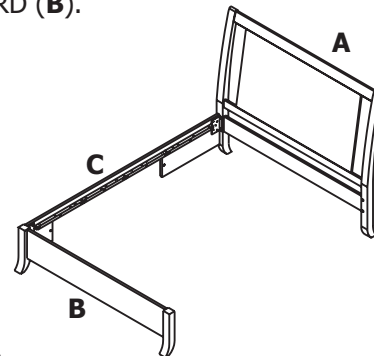
FIX LEFT SIDERAIL (C) TO THE HEADBOARD (A) USING PHILLIPS HEAD BOLTS (1) AND WASHERS (5).

DO NOT TIGHTEN BOLTS COMPLETELY UNTIL ASSEMBLY IS COMPLETED



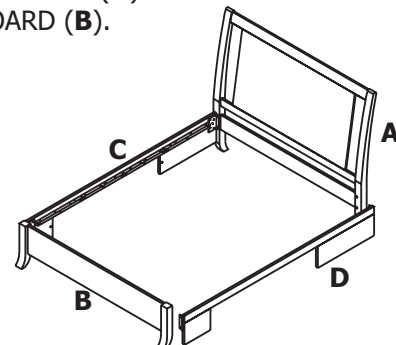
STEP 2 :

FIX THE OTHER END OF LEFT SIDERAIL (C) TO THE FOOTBOARD (B).



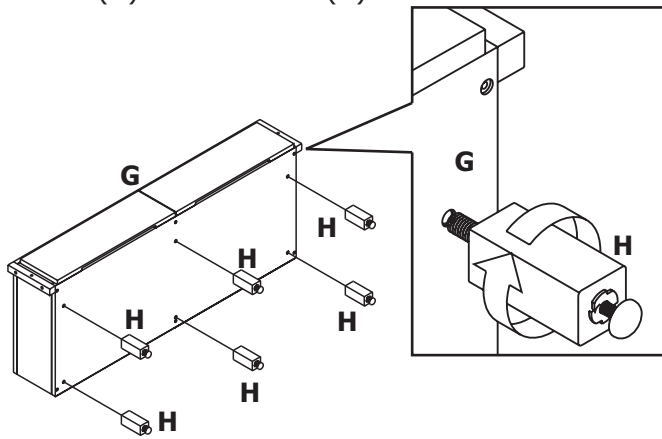
STEP 3 :

FIX RIGHT SIDERAIL (D) TO THE HEADBOARD (A) AND FOOTBOARD (B).



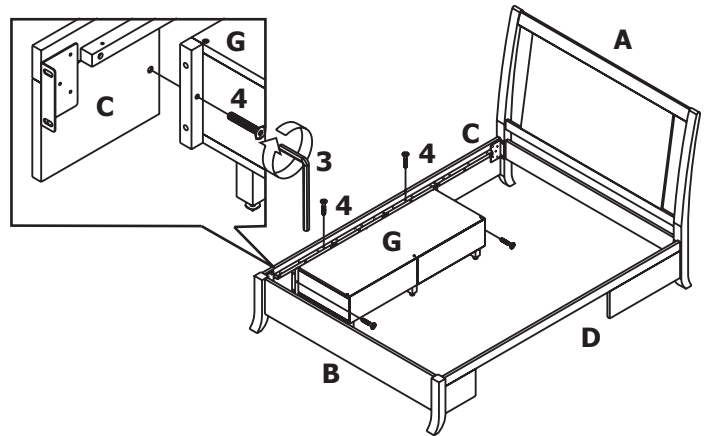
STEP 4 :

REMOVE PLASTIC COVER FROM STORAGE FEET (H) BOLT. FOLLOW THE ILLUSTRATION TO FIX STORAGE FEET (H) TO STORAGES (G).



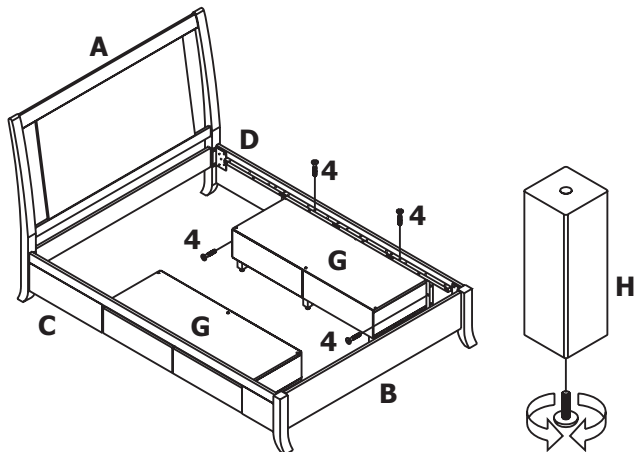
STEP 5 :

FOLLOW THE ILLUSTRATION TO FIX STORAGE (G) TO LEFT SIDERAIL (C) USING ALLEN BOLTS (4). USE ALLEN KEY (3) TO TIGHTEN THE BOLTS.



STEP 6 :

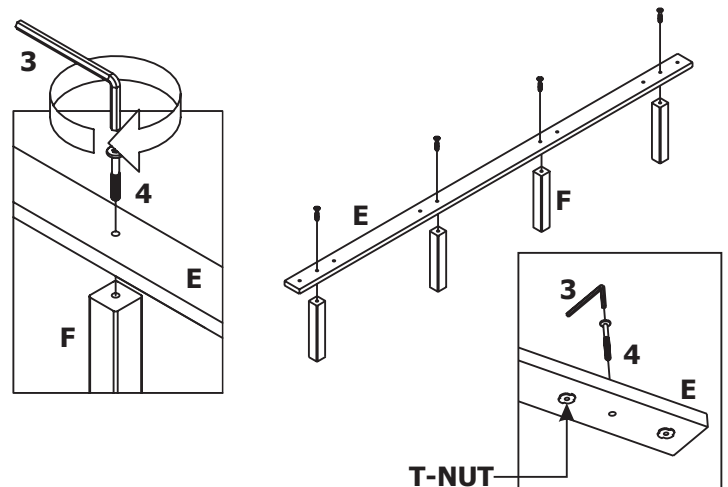
FIX STORAGE (G) TO RIGHT SIDERAIL (D) USING ALLEN BOLTS (4).



TURN LEVELER UNDERNEATH STORAGE FEET (H) TO ADJUST THE STORAGES (G) LEVEL AS SHOWN ON ILLUSTRATION.

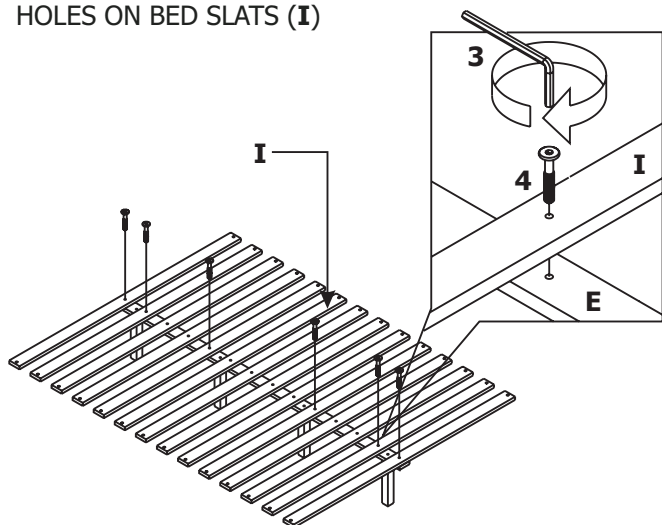
STEP 7 :

FIX LEG SUPPORTS (F) TO CENTER SLAT (E) USING ALLEN BOLTS (4). SLIDE ALLEN BOLTS (4) INTO PREDRILLED HOLES THAT DON'T HAVE A T-NUT IN IT ON THE CENTER SLAT (E). MAKE SURE THE T-NUT IS FACING THE FLOOR.



STEP 8 :

FOLLOW THE ILLUSTRATION TO SPREAD OUT ALL THE BED SLATS (I). FIX THE CENTER SLAT (E) TO THE BED SLATS (I) BY SLIDING IN THE ALLEN BOLTS (4) THROUGH THE HOLES FROM THE TOP OF BED SLATS (I) TO THE CENTER SLAT (E). USE THE 1ST, 2ND, 5TH, 8TH, 11TH AND 12TH PRE-DRILLED HOLES ON BED SLATS (I)



STEP 9 :

FOLLOW THE ILLUSTRATION TO PLACE THE BED SLATS (I) ON THE BED FRAME, AND FIX THE BED SLATS (I) USING WOOD SCREWS (2). USE THE PILOT HOLES ON THE SIDERAILS (C,D) AS YOUR REFERENCE, FOR EASY ASSEMBLY. YOU MAY NEED TO ADJUST THE SIDERAILS (C,D) POSITION TO LINE UP THE HOLES. MAKE SURE ALL BOLTS AND SCREWS ARE TIGHTENED BEFORE USING.

