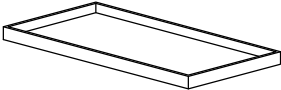
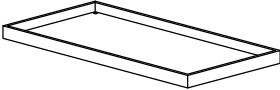
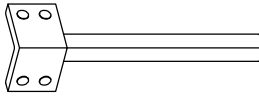
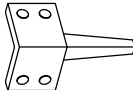

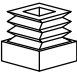
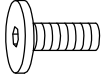
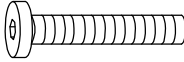


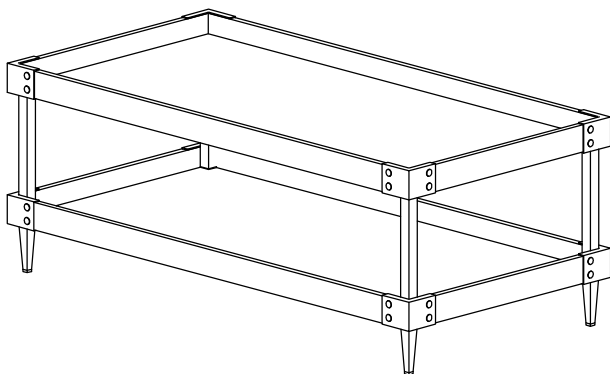


ASSEMBLY INSTRUCTION

COFFEE TABLE WITH METAL LEG



| | | | |
|--|--|--|--|
| A Top Tray  1 pc | B Bottom Tray  1 pc | C Metal Leg 80*80*336mm  4 pcs | D Bottom Leg 80*80*164mm  4 pcs |
| E Square Washer 1.5*25mmSQ  4 pcs | F Plastic Cap 13mmSQ  4 pcs | G Bolt 1/4" * 1/2"  16 pcs | H Bolt 1/4" * 1-1/4"  4 pcs |
| I Round Washer 2.0*19mmφ  4 pcs | J Allen Wrench 4mm  1 pc | | |

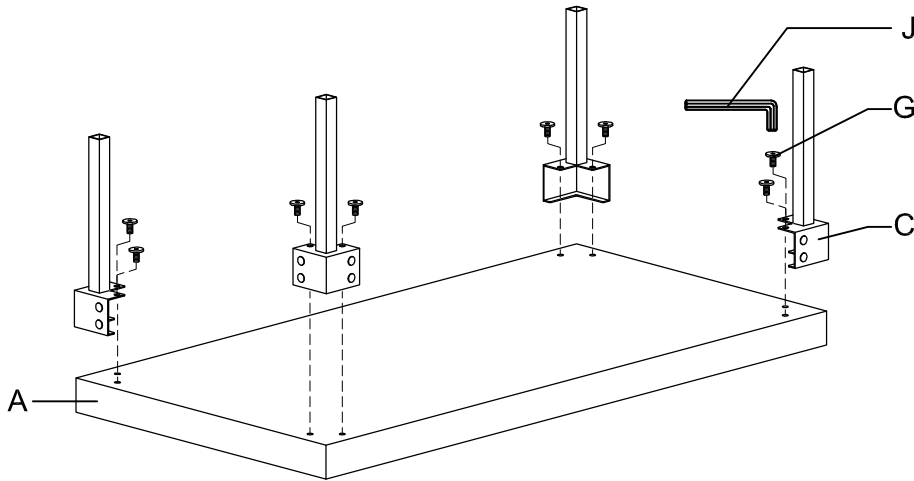


This page lists all the contents included in the box. Please take the time to identify the hardware as well as the individual components to this product. As you unpack and prepare for assembly, place the contents on a carpeted or padded area to protect them from damage.

1


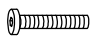


Assemble metal Leg (C) to top tray (A) with bolt (G) as shown in drawing and fasten it up by Allen wrench (J).

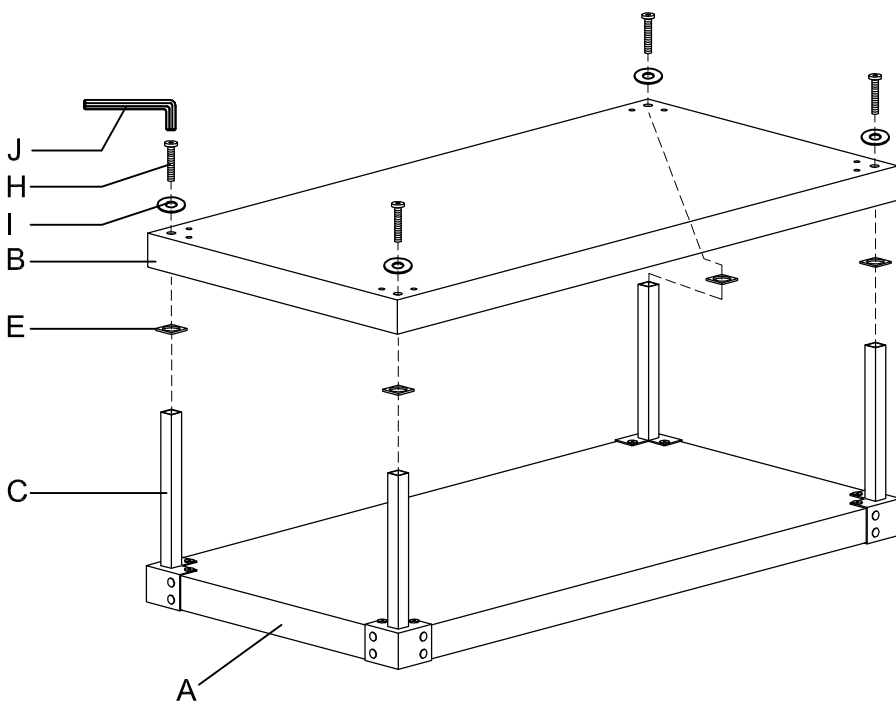
| | | |
|---|---|---------|
| J |  | X 1 pc |
| G |  | X 8 pcs |



2

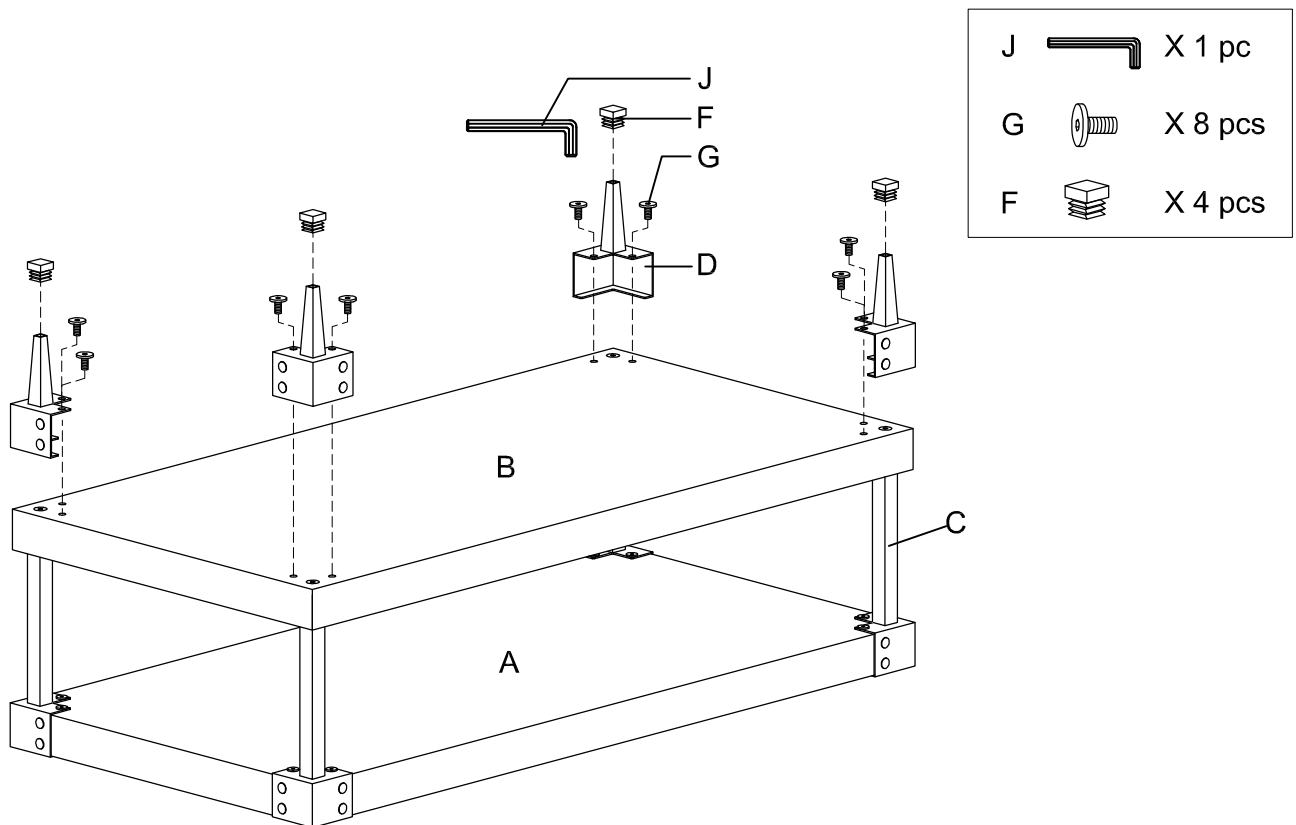
Assemble bottom tray (B) to subassembly top tray (A) and metal leg (C) with square washer (E), round washer (I) and bolt (H) as shown in drawing and fasten it up by Allen wrench (J).

| | | |
|---|---|---------|
| J |  | X 1 pc |
| H |  | X 4 pcs |
| E |  | X 4 pcs |
| I |  | X 4 pcs |

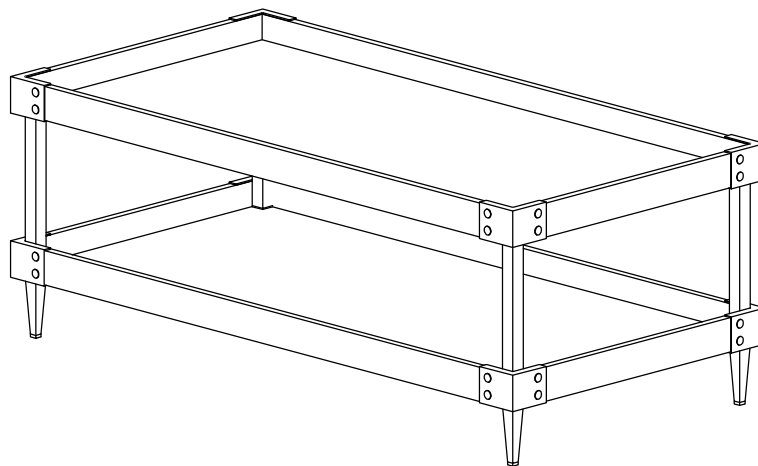


3

Assemble bottom leg (D) to subassembly components (A,B and C) with bolt (G) as shown in drawing and fasten it up by Allen wrench (J). Then install plastic cap (F) in the tube end of bottom leg (D).

**4**

Upright the table and complete.



Cleaning & Care

Treat surface with care. Surface is resistant to scratches but is not scratch resistant. Clean surfaces with a dry or damp soft cloth. Do not use abrasive cleaners. Hardware may loosen over time. Periodically check that all connections are tight.