

# PRODUCT MANUAL

 **ATTENTION!** PLEASE READ THESE INSTRUCTIONS BEFORE USING THIS DE

PRODUCT MANUAL



## NOTICE:

If your package is missing parts or you are having issues with assembly, please call us directly. Our customer service team will address any questions or concerns you may have. Have this manual open and ready for reference.

## SAFETY

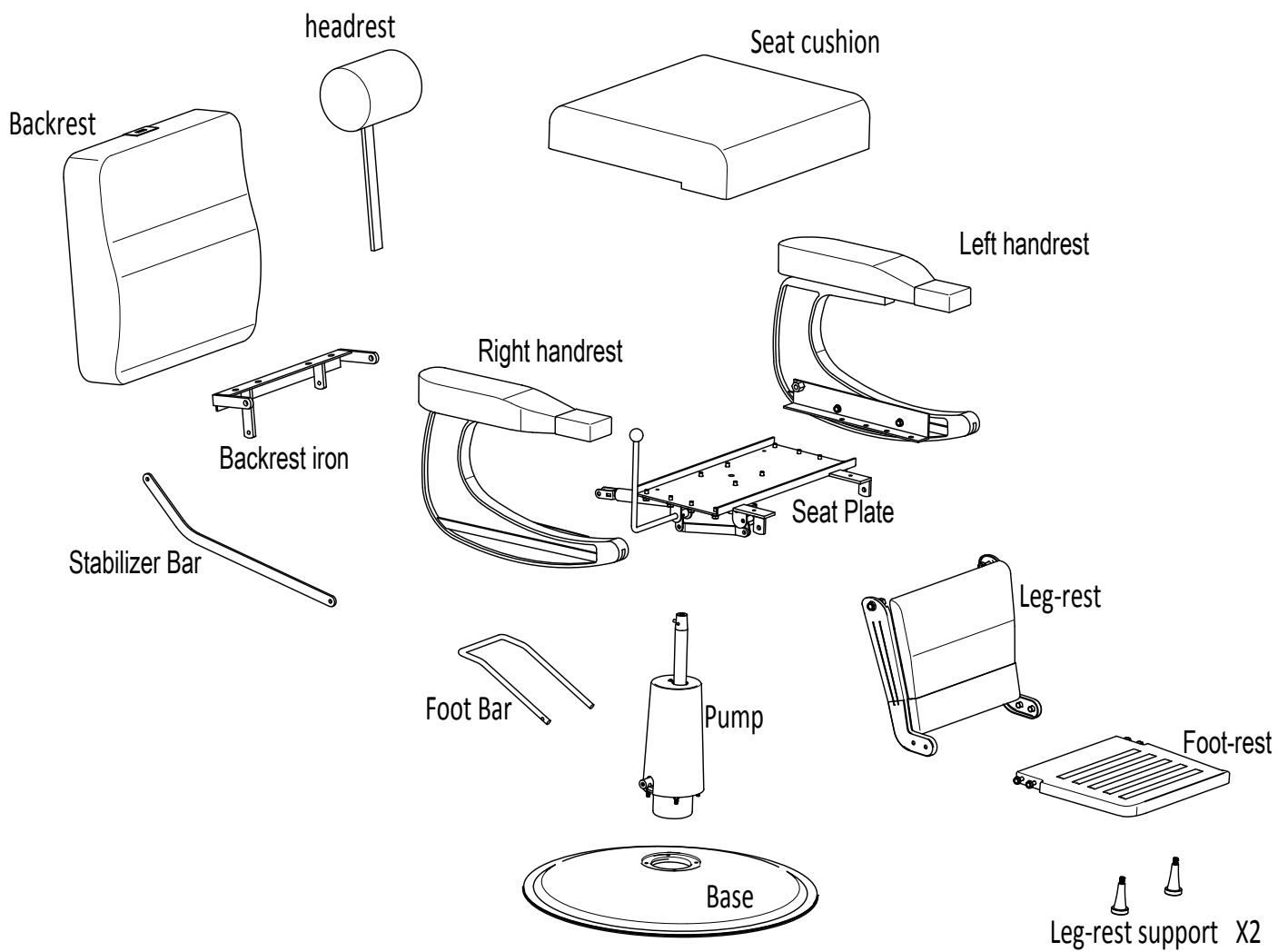
To reduce risk of injury when assembling & using the cabinet, follow these precautions:

- . Read all of these instructions before assembling and using your salon cabinet.
- . It is helpful to have 2 people assemble and turn the chair upright after assembling.
- . Do not over-extend the chair (0~150kg) , creating the risk of falls or tipping the chair, and its occupant over, resulting in injury

## OTHER ITEMS YOU WILL NEED ( not included)

- . Hand Tools:Wrench,Rubber Mallet,Screwdriver ( Phillips) ,Sturdy box

## PARTS & FEATURES



 Threaded Bolt X4

 Locking Nut X4

 Screw X4

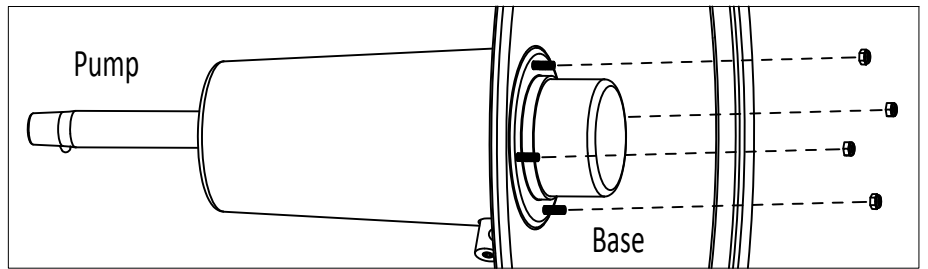
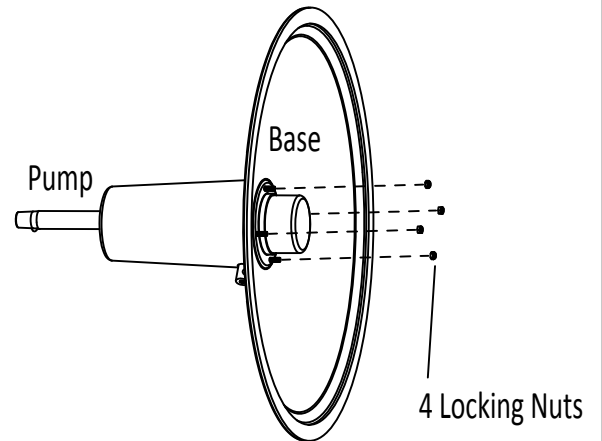
## Installation instruction

### FIRST: Attach Hydraulic Pump to Base

Step 1. Insert threaded bolts on bottom of Pump into holes on top of Base. Tighten 4 locking nuts onto threaded bolts.

(Easiest when set on side, supported by a sturdy object.)

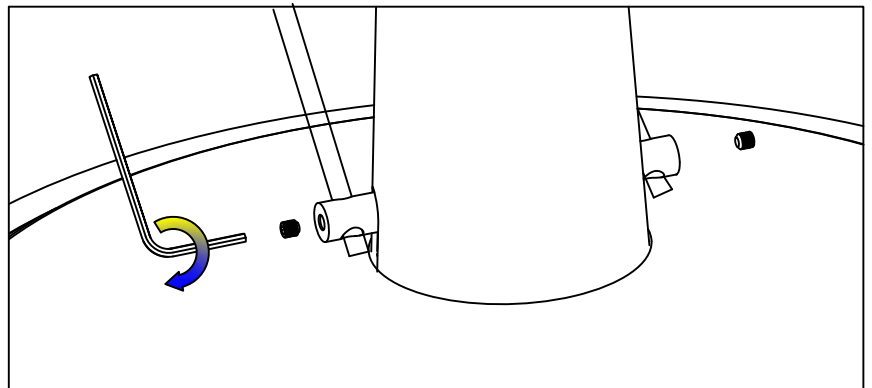
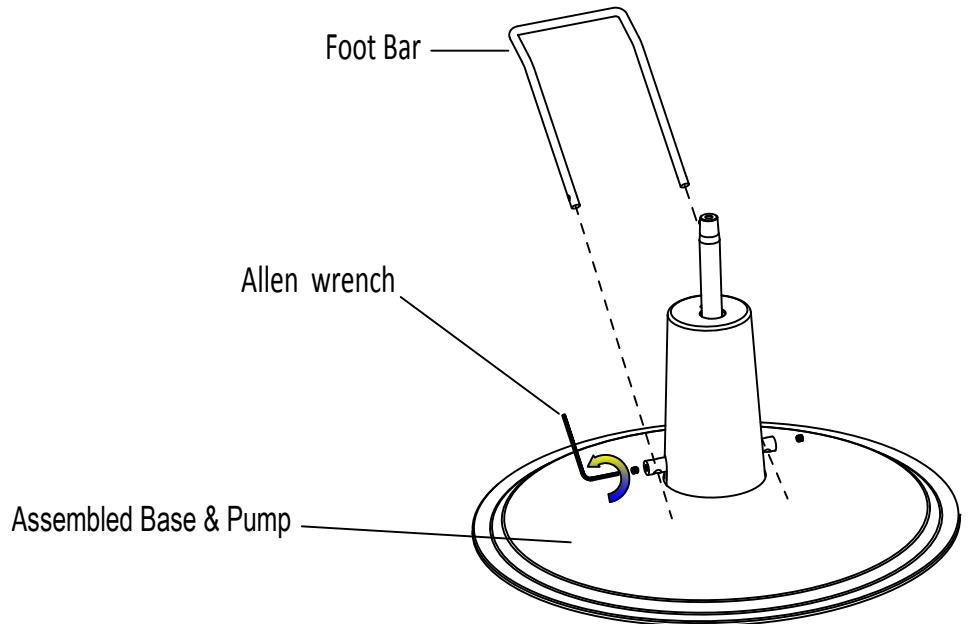
Please follow up the diagram beside.



### SECOND: Attach Foot Bar to Assembled Hydraulic Pump & Base

Step 1. Place assembled Base & Pump on floor. Use Allen Wrench to loosen set screws in the crossbar. This prevents set screws from obstructing entry of Foot Bar. Insert ends of Foot Bar into the holes in the crossbar. (May require slightly squeezing ends of Foot Bar towards each other, and some maneuvering for the bar ends to go into place.)

Step 2. Tighten the set screws to firmly hold the Foot Bar in place.

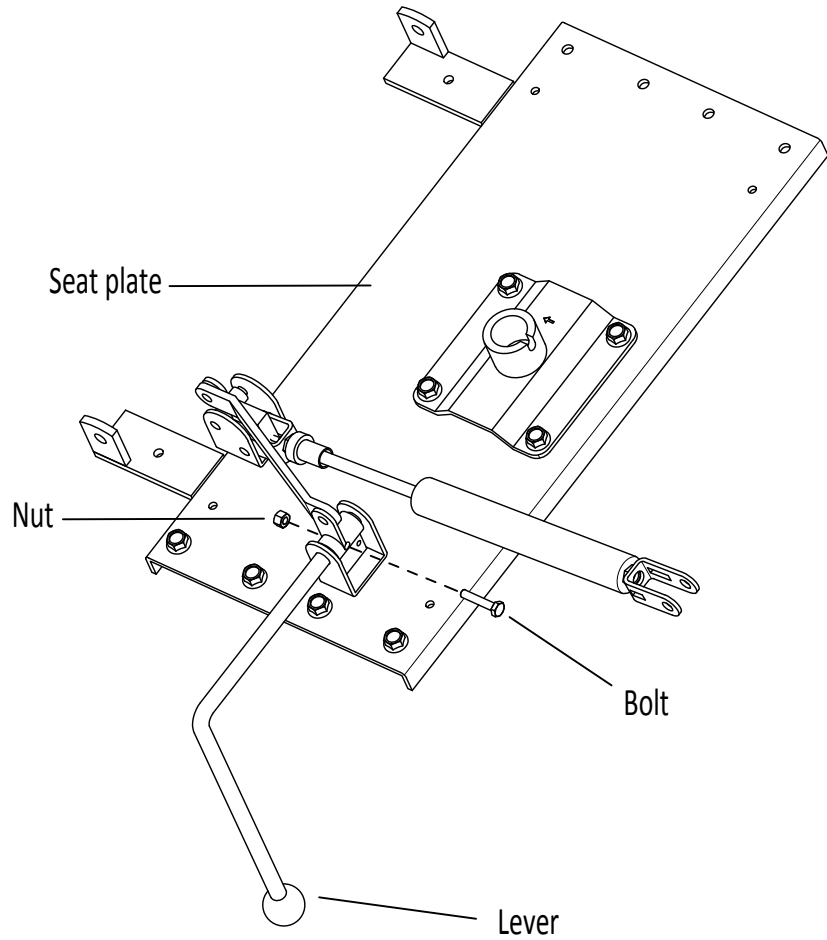


Third : Install the Lever to the seat plate

Step 1. Remove the bolt and nut which pre-fixed in the lever.

Step 2. Install the lever by the bolt and nut which removed from it .

Please follow up the diagram beside.

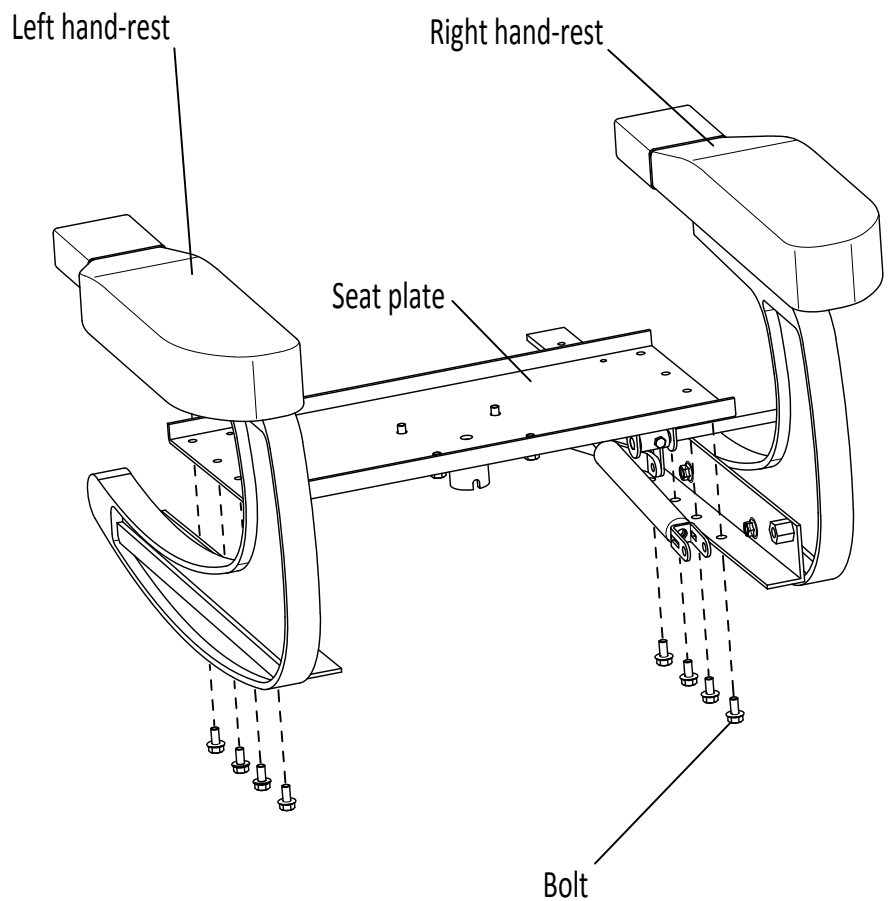


Fourth : Install hand-rests to the seat plate

Step 1 . Remove 8 bolts which pre-fixed on the seat plate.

Step 2 . Install left hand-rest and Right hand-rest to the seat plate by the 8 bolts which removed from the seat plate.

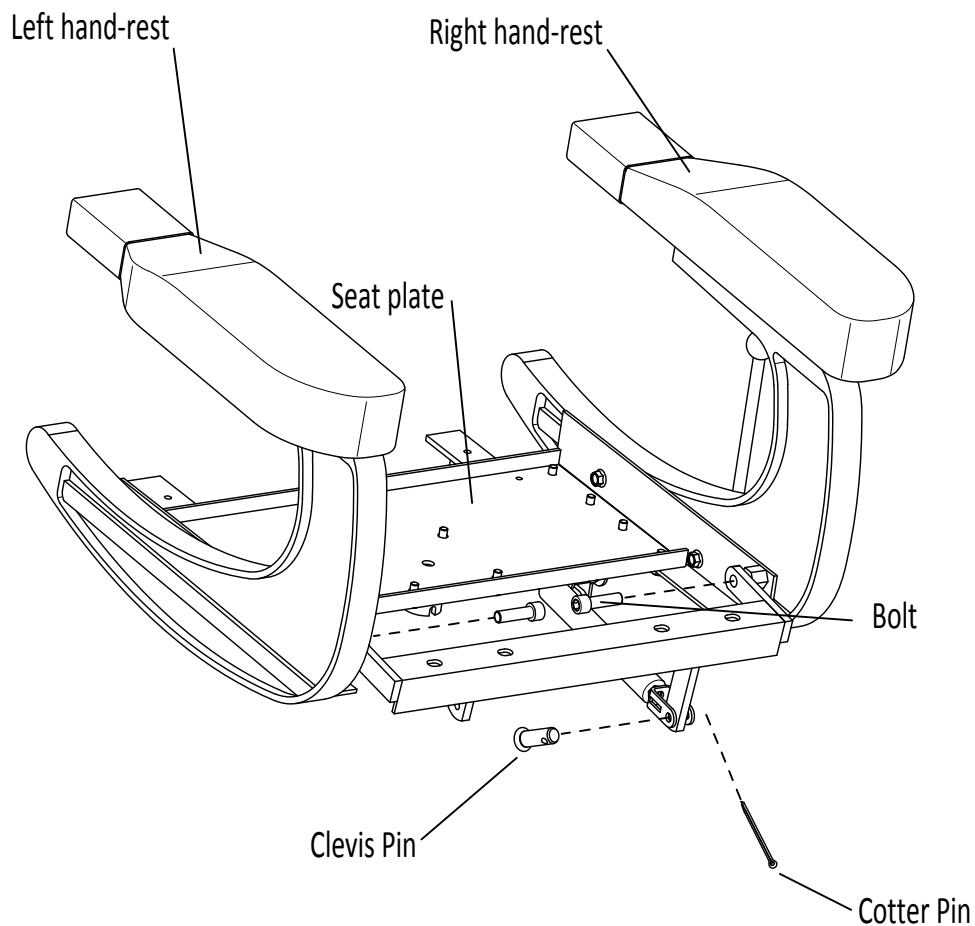
Please follow up the diagram beside.



**FIFTH : Install Backrest iron to the seat plate**

Step 1 . Remove 2 bolts which pre-fixed in the hand-rests and remove the Clevis Pin and Cotter Pin which pre-fixed in the backrest iron .  
Step 2 . Install the backrest iron to the hand-rests by the 2 bolts which remove from the hand-rests.  
Step 3. Assemble reclining cylinder U-shap with backrest iron by giving Clevis Pin and Cotter Pin, .

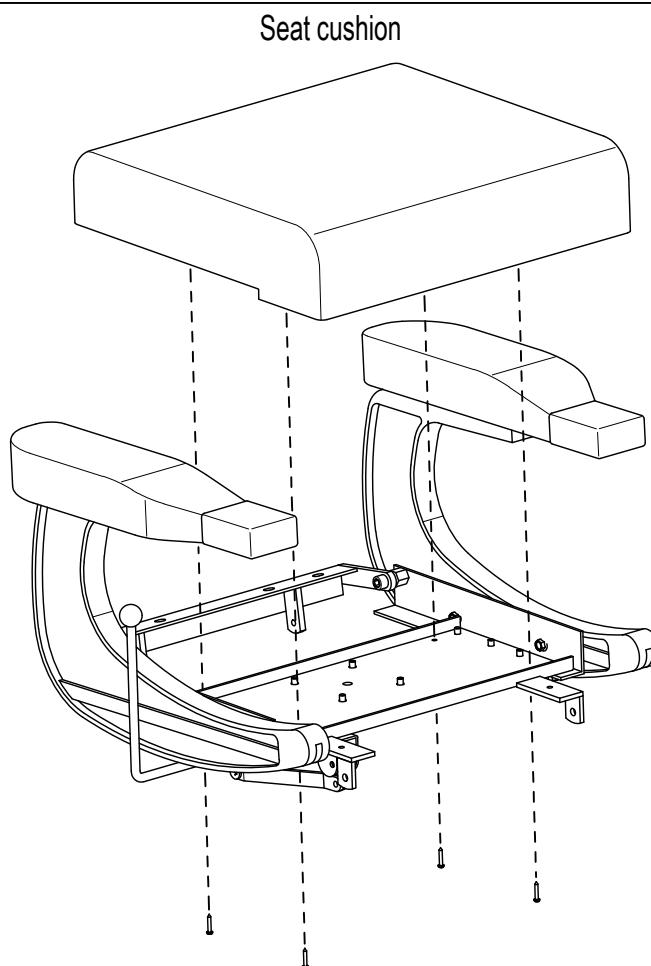
Please follow up the diagram beside.



**SIXTH : Install the seat cushion**

Step 1 .Remove the 4 screws which pre-fixed on the seat cushion .  
Step 2 .Install the seat cushion to seat plate by the 4 screws.

Please follow up the diagram beside.

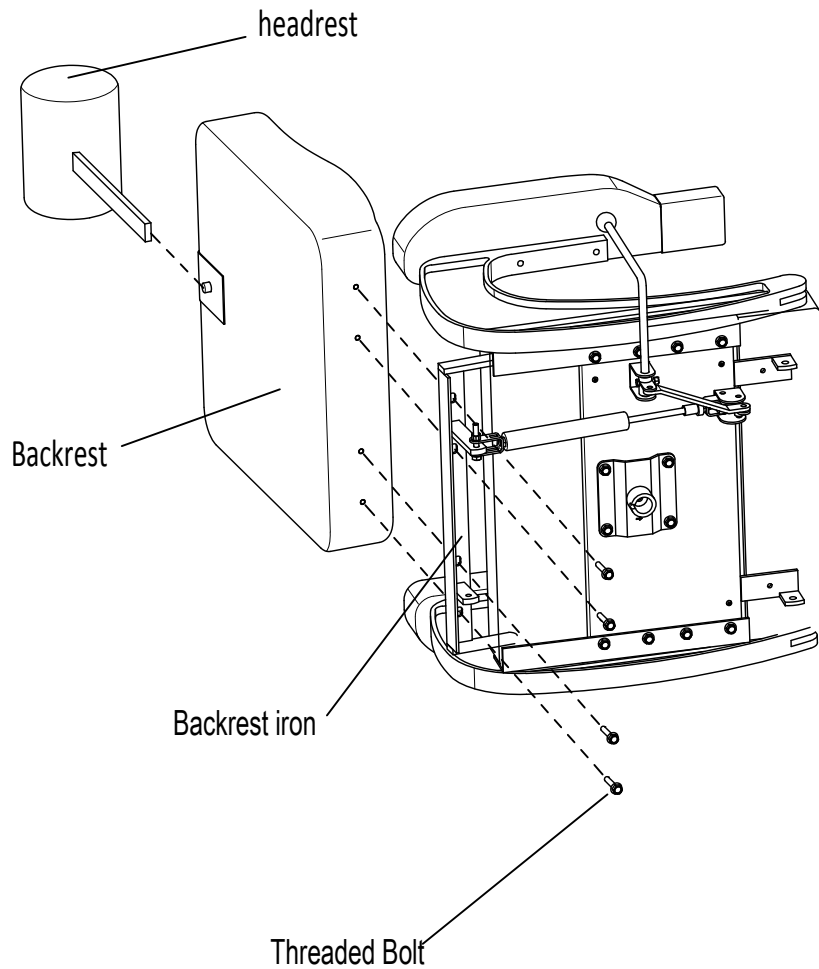


**SEVENTH : Install Backrest and headrest**

Step 1 . Install backrest to the backrest iron by the 4 Threaded Bolts.

Step 2 . Insert the headrest into the backrest.

Please follow up the diagram beside.

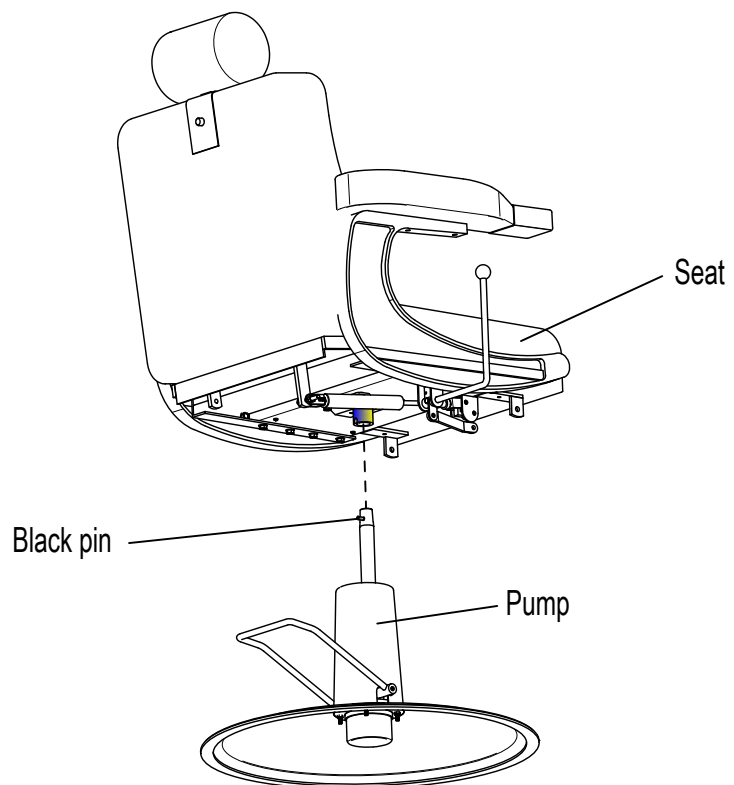


**EIGHTH : Set Seat & Backrest onto Hydraulic Pump & Base**

Step 1. Locate the slot in the short column under the Seat. Align this slot with the black pin at the top of hydraulic pump.

Step 2. Set assembled Seat & Backrest onto assembled Hydraulic Pump & Base and press down.

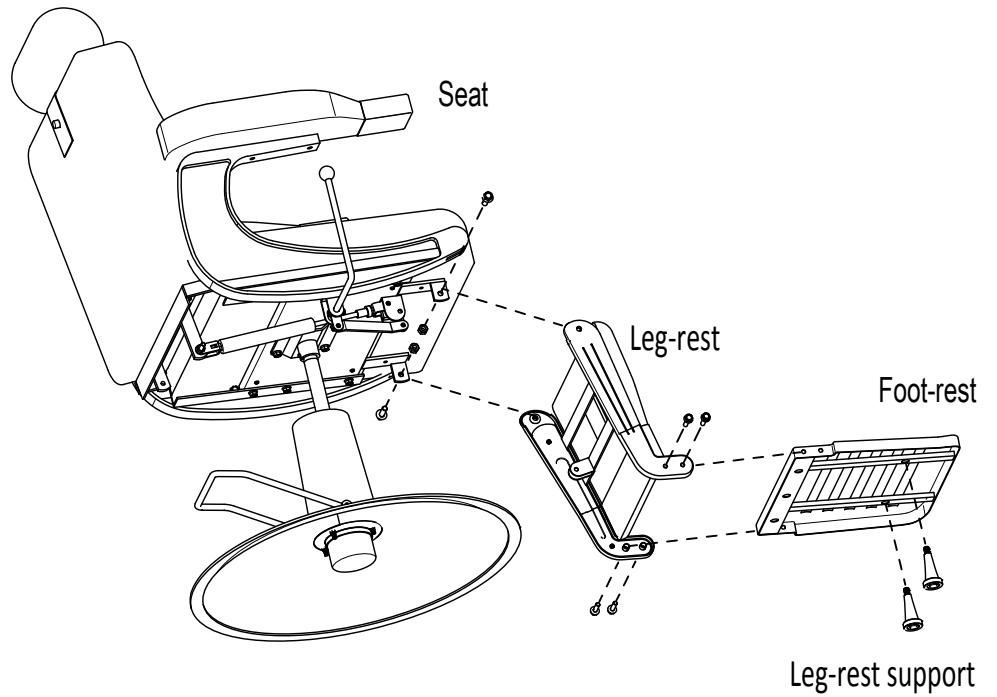
Please follow up the diagram beside.



**NINTH : Install Seat to Leg-rest + Footrest + Footrest Supports**

Step 1. Install Leg-rest to Brackets under front of Seat.  
 Step 2. Install Footrest to Leg-rest.  
 Step 3. Install Footrest Supports to Footrest.

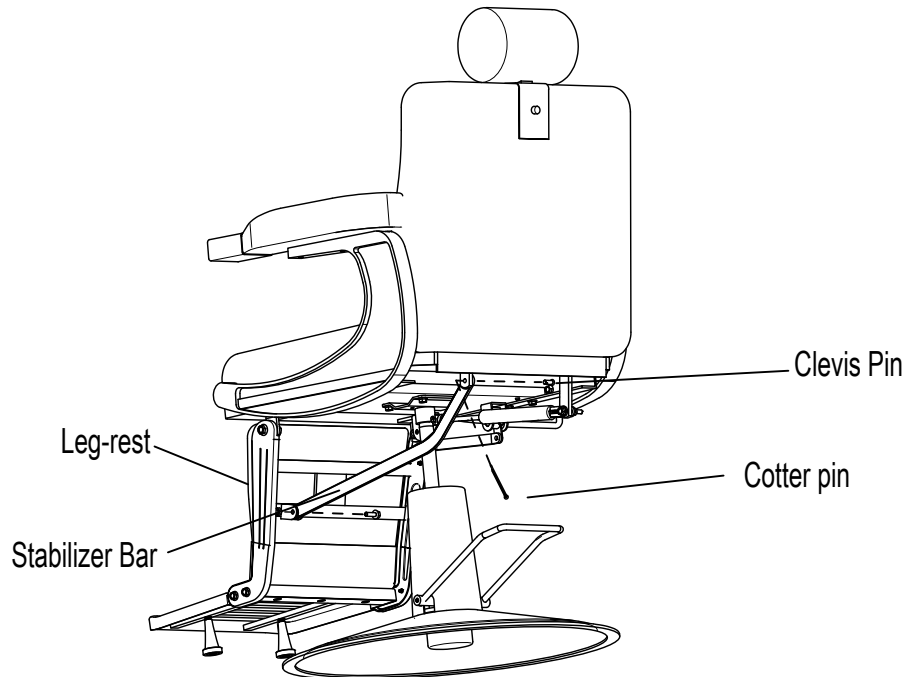
Please follow up the diagram beside.



**TENTH : Install the Seat Back Stabilizer Bar**

Backrest must be fully reclined to match with Stabilizer Bar.  
 Step 1. Install Stabilizer Bar to backrest iron rear in bottom of Seat.  
 Step 2. Install Stabilizer Bar to U-shap part on back of Footrest

Please follow up the diagram beside.



## Operating the chair

- 1 : Raising and Lowering the Chair  
Step down on the Foot Bar repeatedly to raise the chair to the desired height. Do not over-extend the chair, creating the risk of falls or tipping the chair and its occupant over, resulting in injury  
Step down and hold the Foot Bar to allow chair to lower.
- 2 : Recline the Backrest and leg-rest  
Push Lever on side of chair down/back while the occupant leans back and make the leg-rest up .  
Pull lever up/forward to allow Backrest to raise up and make the leg-rest down.
- 3 : Raising and Lowering the Headrest  
Press the button on the chrome plate and pull up to raise, or push down to lower the Headrest.
- 4 : Hold up the foot bar to lock the chair .

