

# ASSEMBLY INSTRUCTIONS

## THE DOUBLE PREMIUM PERGOLA

Before you commence the assembly process we recommend that you read these instructions thoroughly beforehand to familiarise yourself with the assembly process and to also check that you have the correct components.

We highly recommend that any assembly is carried out on an open flat, level surface if possible with sufficient space. You will also require the assistance of at least 2 adults to complete assembly safely.




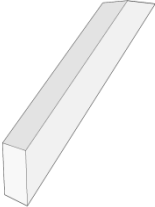
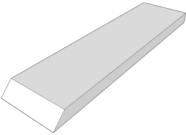

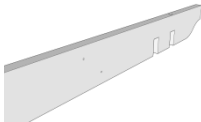
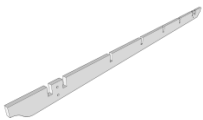
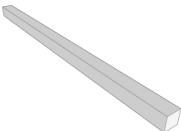
**Please note:** For a free-standing pergola you can remove up to 600mm from the bottom of each post prior to commencing construction.

### Tools required:

10mm socket, No2 Pozidriv screwdriver (or electric driver) , step ladder or platform.

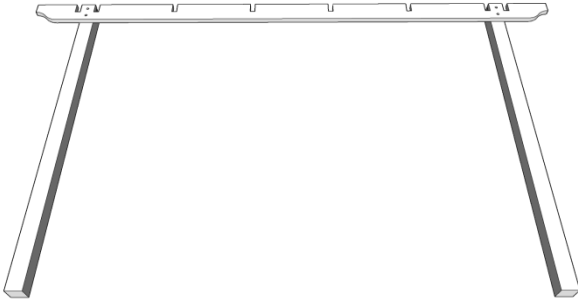
## Components

The components listed below are those required to build a Double Premium pergola of 3M in size or larger. For the 2.4M version there are only 3 rafters and 28 x 120mm coachscrews.

96 x 65mm woodscrews	32 x 70mm coachscrews	16 x 120mm coachscrews	8 x 650mm Braces	16 x Post cladding panels	4 x Rafters
					
4 x Pre-drilled end Rafters	4 x Runners	4 x Posts			
					

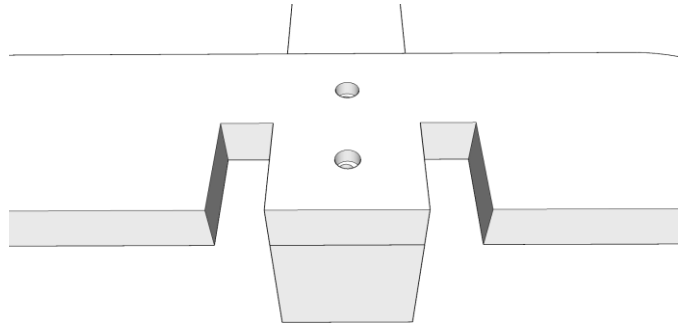
# THE DOUBLE PREMIUM PERGOLA

## Step 1



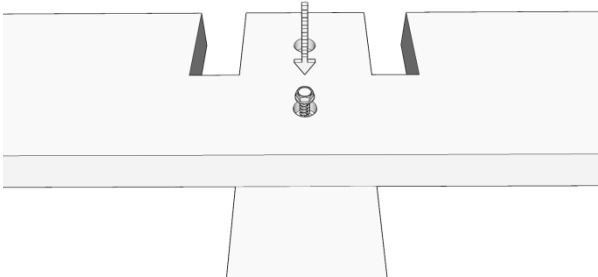
Begin by placing two of the posts on a flat surface as shown and then placing one of the runners, countersinks uppermost, on top of the posts with the outer notches over the post.

## Step 2



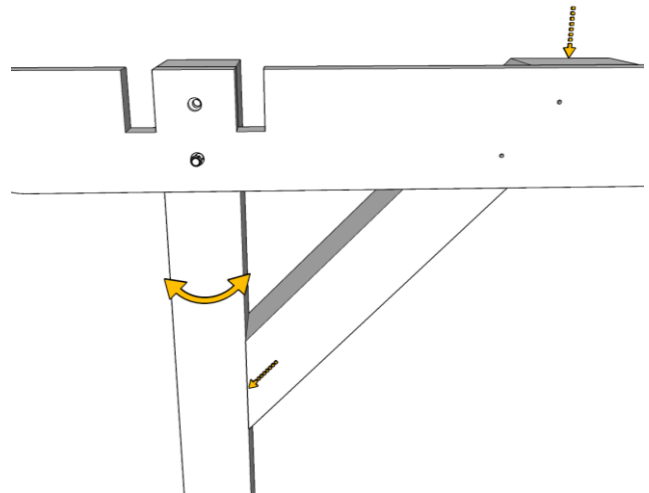
At this point ensure that the post is aligned between the notches, flush with the top edge of the runner and perpendicular to it.

## Step 3



Now insert a 70mm coachscrew into one of the holes in the runner and drive it into the post using a socket and ratchet or driver until almost fully home.

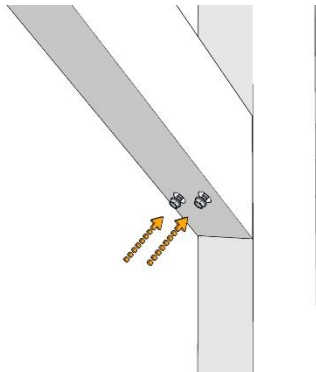
## Step 4



Position one of the braces against the side of the post as shown with the bolt countersink adjacent to the post. Check that the top edge of the brace is flush with the top edge of the runner and that the lower face is flat against the post. If necessary alter the position of the post to achieve this by pivoting it on the bolt inserted in the previous step.

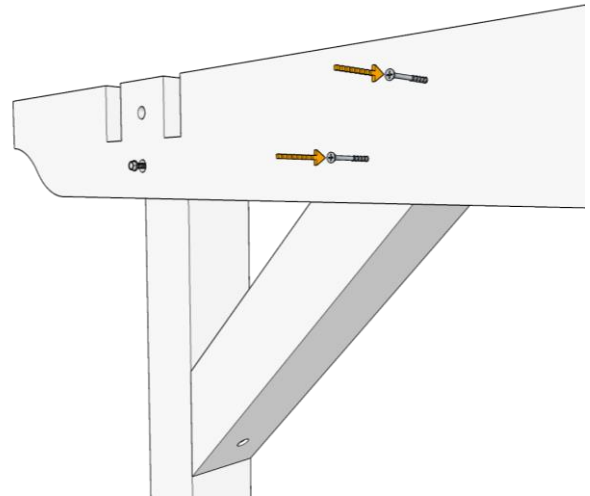
# THE DOUBLE PREMIUM PERGOLA

## Step 5



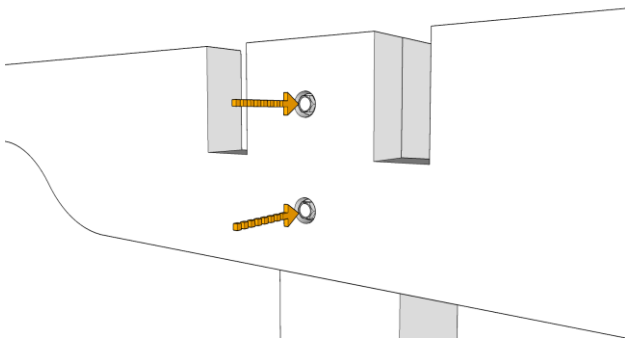
Once the brace is in position insert 2 x 70mm coachscrews and fix to the post by driving them fully home with the socket.

## Step 6



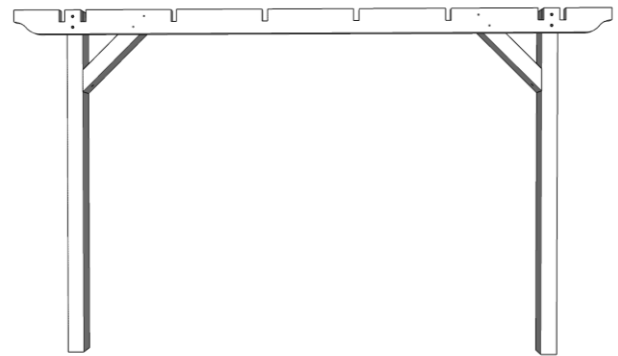
Now secure the other end of the brace to the runner with 2 x 65mm woodscrews.

## Step 7



Insert a second 70mm coachscrew into the hole in the runner and drive both coachscrews fully home. Repeat the previous steps and attach the second post to the runner.

## Step 8

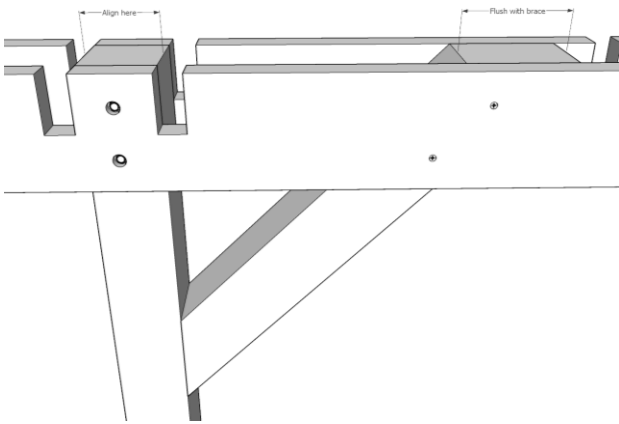


Take the completed assembly and turn it over to commence fitment of the second runner.

**IMPORTANT NOTE** - on the inner face of the runner notches you will find one marked with a star - these should always be placed at the same end of the assembly.

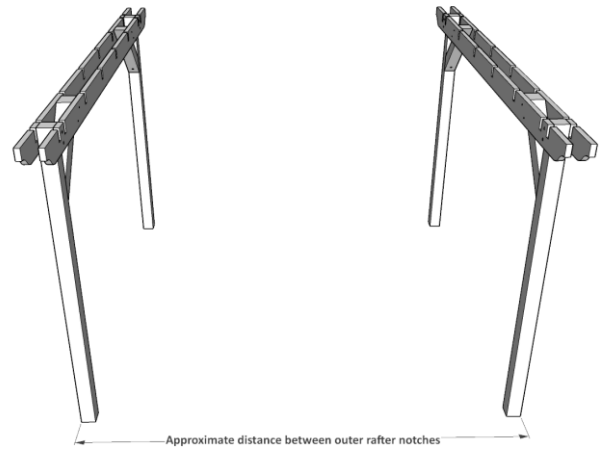
# THE DOUBLE PREMIUM PERGOLA

## Step 9



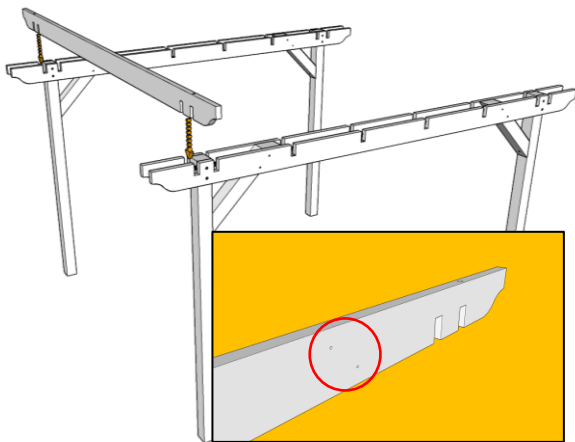
Place the next runner as you did before carefully aligning it before attaching to the post and brace as before.

## Step 10



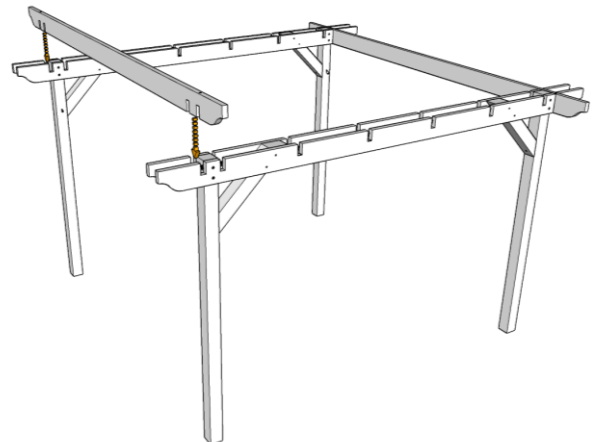
Repeat steps 1 - 9 so that you now have two frame assemblies. Arrange them both near to the pergola's intended final location, as shown above, spacing the posts apart by the approximate distance between the outer rafter notches.

## Step 11



Now take one of the pre-drilled rafters and lower it onto the 2 frame assemblies so that the notches in the rafters and runners interlock and fully house.

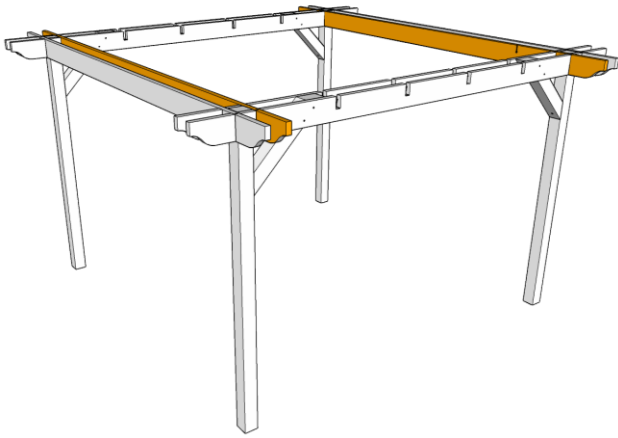
## Step 12



Drop a second pre-drilled rafter into place at the other end of the assembly.

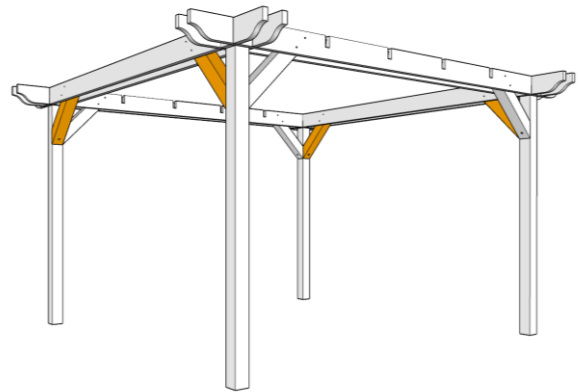
# THE DOUBLE PREMIUM PERGOLA

## Step 13



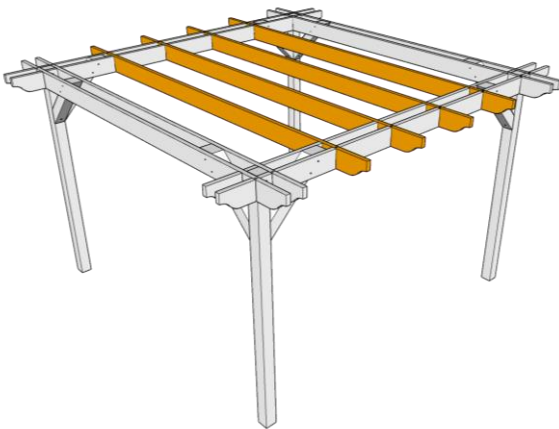
Now insert the remaining pre-drilled rafters adjacent to the rafters inserted previously.

## Step 14



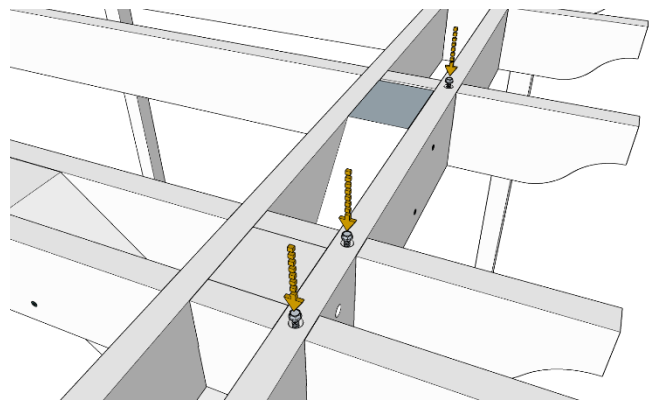
Position the remaining braces as before, flat to the post and flush with the top edge of the rafter and screw to the post using a 70mm coachscrew, before attaching the top to the rafters with 4 x 65mm woodscrews per brace.

## Step 15



Now insert any remaining rafters dropping them into the notches as before.

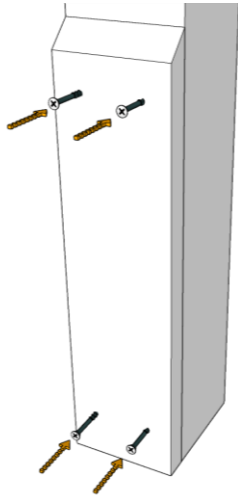
## Step 16



Now screw down all of the rafters with a 120mm coachscrew driven into each end of the rafter.

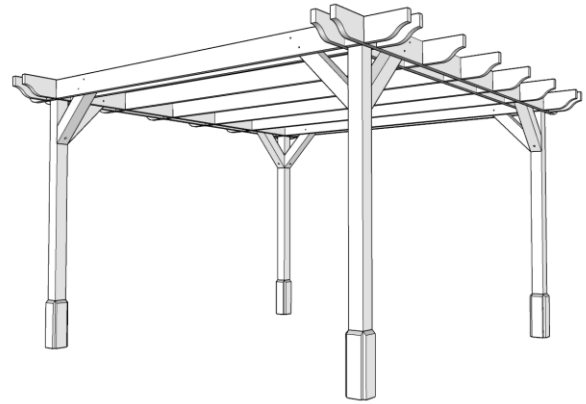
# THE DOUBLE PREMIUM PERGOLA

## Step 17



To attach cladding panels simply align as shown at the base of the post before screwing into place using 4 x 65mm woodscrews through the pre-drilled holes per panel. Repeat for each face of the post.

## Step 18



Your Rutland Premium Double pergola is now complete.