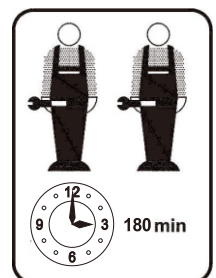
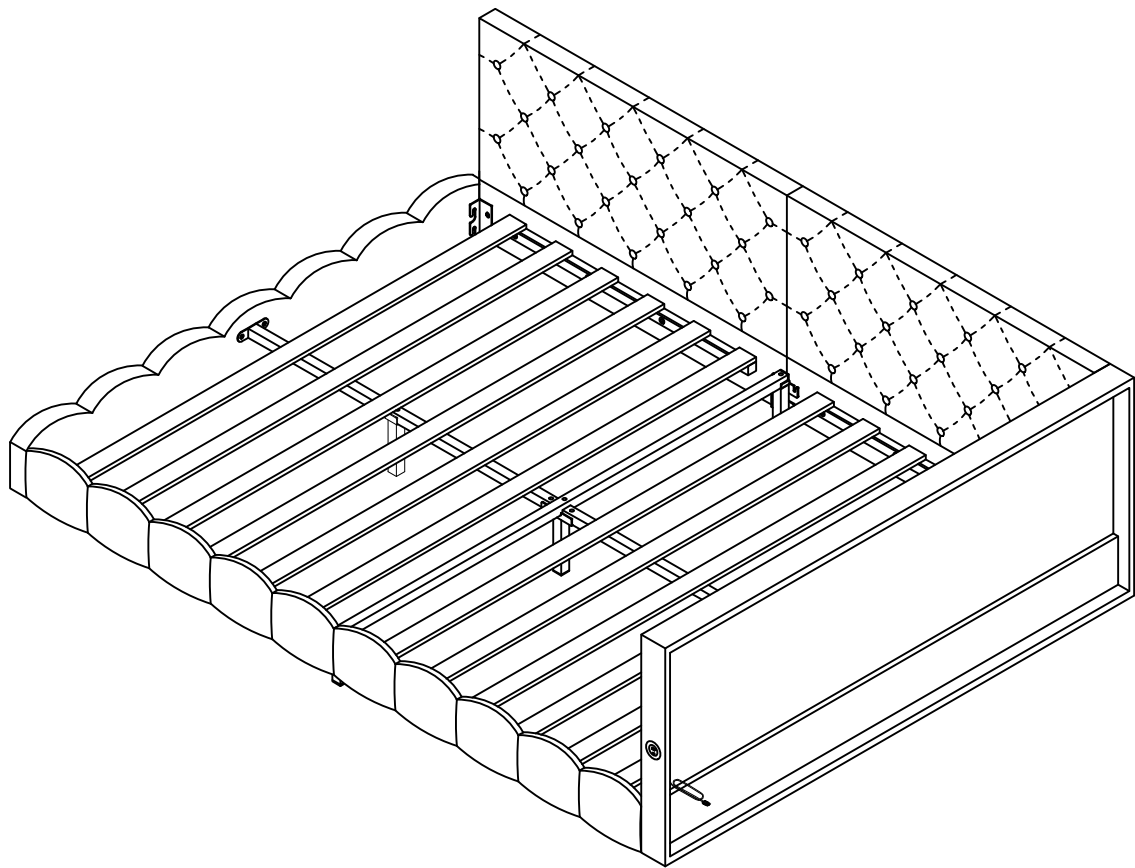


# ASSEMBLY INSTRUCTIONS

Item Number: N604P390169/N604P390170

This set comes in 2 boxes. If you do not receive a full 2 boxes, please contact our customer service.

## BED 135\*190cm



## English

### IMPORTANT ! KEEP FOR FUTURE REFERENCE : READ CAREFULLY

- To be assembled by an adult. Assembly must be checked by an adult before use
- WARNING ! Keep all screws, small parts and plastic bags out of the reach of children
- Properly identify all parts before assembling
- Never use your item if any of its parts are broken or missing
- Should any problems arise, please contact our After Sales Service
- Manufacturer's instructions shall be followed at all times
- Care: Clean with a soft, dry cloth. In case of larger stains, carefully rub with a slightly damp, non-abrasive sponge
- Avoid the risk of fire by not placing furniture near sources of ignition or hot items
- Do not jump on the bed

## Deutsch

### WICHTIG ! ZUM SPÄTEREN NACHSCHLAGEN AUFBEWAHREN: SORGFÄLTIG LESEN

- Muss von einem Erwachsenen zusammengebaut werden. Der Zusammenbau muss vor dem Gebrauch von einem Erwachsenen überprüft werden
- WARNUNG! Bewahren Sie alle Schrauben, Kleinteile und Plastikbeutel außerhalb der Reichweite von Kindern auf
- Kennzeichnen Sie vor dem Zusammenbau alle Teile richtig
- Benutzen Sie Ihren Artikel niemals, wenn Teile gebrochen sind oder fehlen
- Sollten Probleme auftreten, wenden Sie sich bitte an unseren Kundendienst
- Die Anweisungen des Herstellers sind stets zu befolgen
- Pflege: Mit einem weichen, trockenen Tuch reinigen. Bei größeren Flecken vorsichtig mit einem leicht feuchten, nicht scheuernden Schwamm abreiben. nicht scheuernden Schwamm
- Vermeiden Sie die Gefahr eines Brandes, indem Sie die Möbel nicht in der Nähe von Zündquellen oder heißen Gegenständen aufstellen
- Nicht auf das Bett springen

## Français

### IMPORTANT ! CONSERVER POUR RÉFÉRENCE ULTÉRIEURE : LIRE ATTENTIVEMENT

- Le montage doit être effectué par un adulte. Le montage doit être vérifié par un adulte avant Utilisation
- ATTENTION ! Tenir les vis, les petites pièces et les sachets en plastique hors de portée des enfants
- Identifiez correctement toutes les pièces avant de les assembler
- N'utilisez jamais votre article si l'une de ses pièces est cassée ou manquante
- En cas de problème, veuillez contacter notre service après-vente
- Les instructions du fabricant doivent être respectées à tout moment
- Entretien : nettoyer avec un chiffon doux et sec. En cas de taches plus importantes, frotter soigneusement avec une éponge non abrasive légèrement humide. légèrement humide et non Abrasive
- Évitez les risques d'incendie en ne plaçant pas les meubles à proximité de sources d'inflammation ou d'objets chauds
- Ne pas sauter sur le lit

**Italiano**

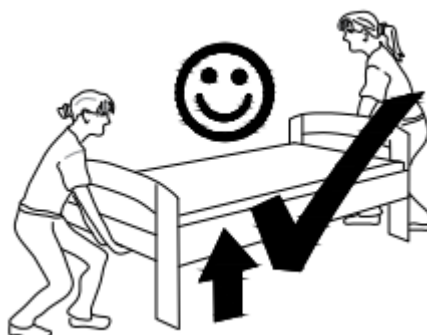
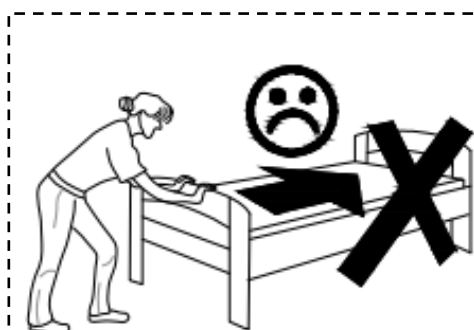
**IMPORTANTE! CONSERVARE PER RIFERIMENTO FUTURO: LEGGERE ATTENTAMENTE**

- Deve essere assemblato da un adulto. L'assemblaggio deve essere controllato da un adulto prima dell'uso
- **ATTENZIONE!** Tenere tutte le viti, le piccole parti e i sacchetti di plastica fuori dalla portata dei bambini
- Identificare correttamente tutte le parti prima dell'assemblaggio
- Non utilizzare mai l'articolo se alcune parti sono rotte o mancanti
- In caso di problemi, si prega di contattare il nostro Servizio Post Vendita
- Le istruzioni del produttore devono essere sempre seguite
- Cura: Pulire con un panno morbido e asciutto. In caso di macchie più estese, strofinare accuratamente con una spugna leggermente umida e nonspugna leggermente umida e non abrasiva
- Evitare il rischio di incendio, non collocando i mobili vicino a fonti di accensione o a oggetti caldi
- Non saltare sul letto

**Español**

**¡ IMPORTANTE ! CONSERVELO PARA FUTURAS CONSULTAS: LEA ATENTAMENTE**

- Debe ser montado por un adulto. El montaje debe ser comprobado por un adulto antes del uso
- ADVERTENCIA Mantenga todos los tornillos, piezas pequeñas y bolsas de plástico fuera del alcance de los niños.
- Identifique correctamente todas las piezas antes de montarlas
  - Nunca utilice su artículo si alguna de sus piezas está rota o falta
  - Si surge algún problema, póngase en contacto con nuestro Servicio Postventa
  - Las instrucciones del fabricante deben seguirse en todo momento
  - Cuidado: Limpiar con un paño suave y seco. En caso de manchas más grandes, frote cuidadosamente con una esponja no abrasiva ligeramente humedecida.
  - Evite el riesgo de incendio no colocando los muebles cerca de fuentes de ignición u objetos calientes.
  - No saltar sobre la cama.





**DE:** Vor dem Einbau die Schrauben in die Löcher stecken und festziehen, aber nicht bis 100%, 70% bis 80% anziehen reicht aus. Schließlich, nachdem alle Schrauben installiert sind, ziehen Sie alle Schrauben auf 100%.

Wenn Sie auf diese Probleme stoßen, wie z. B. Fehlausrichtung der Löcher oder Unfähigkeit, bestimmte Teile zu installieren, überprüfen Sie bitte, ob die Schrauben korrekt verwendet werden und passen Sie die Dichtigkeit der Schrauben an.

**UK:** Before installation, insert the screws into the holes and tighten them, but do not tighten them to 100%, 70% to 80% is sufficient. Finally, after all screws are installed, tighten all screws to 100%.

If you encounter these issues, such as if the holes cannot be aligned or some parts cannot be installed, please check if the screws are used correctly and adjust the tightness of the screws.

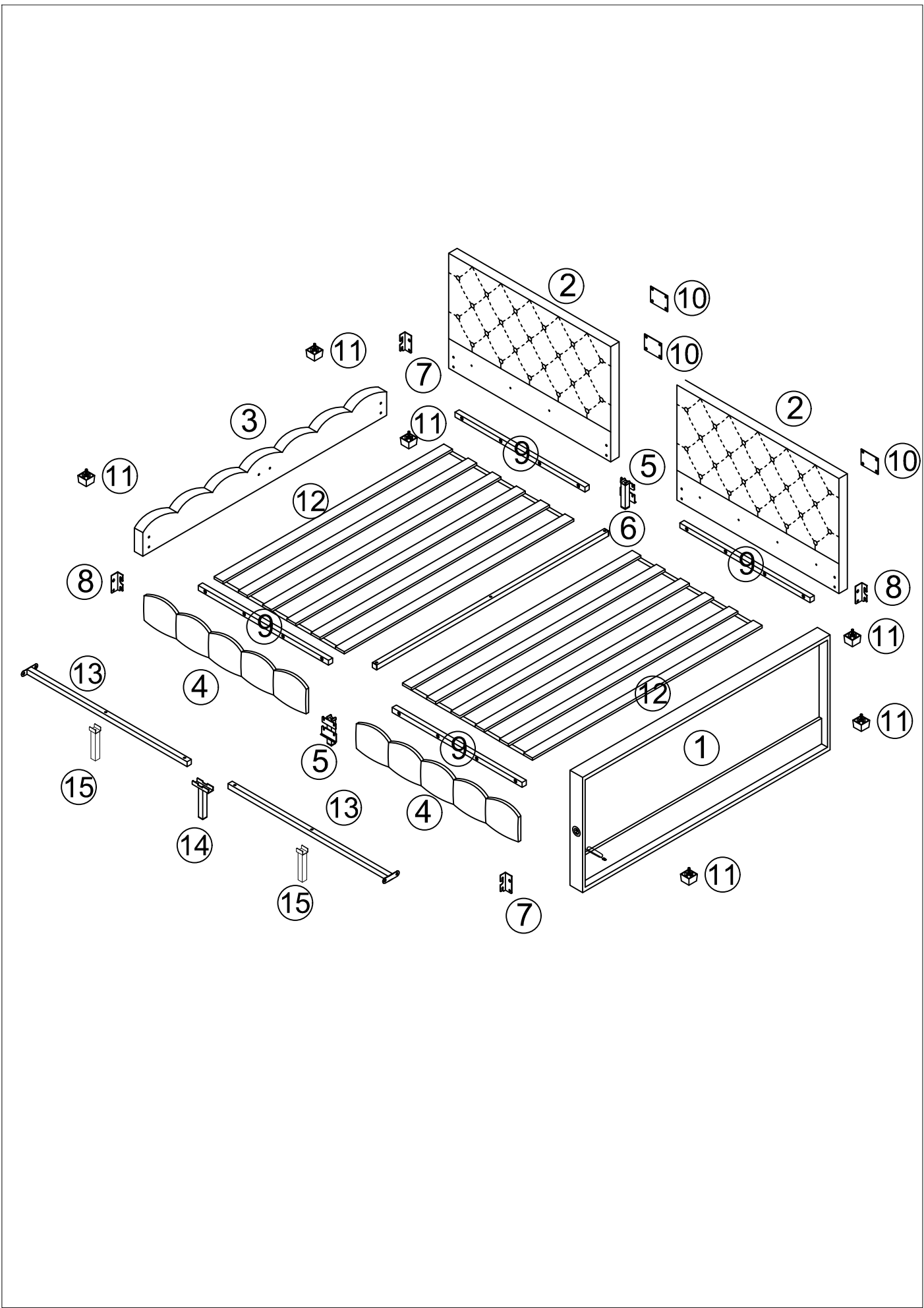
**FR:** Insérer la vis dans le trou avant la fin de l'assemblage, serrer la vis, mais ne pas serrer à 100%, 70% ~ 80% est correct. Enfin, une fois que toutes les vis sont bien serrées, toutes les vis sont serrées à 100%.

Si vous rencontrez ces problèmes, par exemple si les trous ne sont pas alignés ou si certaines pièces ne peuvent pas être montées, vérifiez que les vis sont utilisées correctement et Ajustez leur serrage.

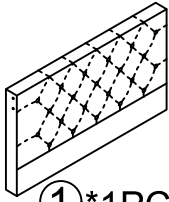
# **INSTRUCTIONS**

## **IMPORTANT-READ CAREFULLY-RETAIN FOR FUTURE REFERENCE**

- a) **WARNING** -Children can become trapped between the bed and the wall, the adjoining pieces of furniture (e.g. cupboards) and the like. To avoid risk of serious injury the distance between the safety barrier and the adjoining structure shall not exceed 90 mm or shall be more than 230 mm.
- b) **WARNING**-Do not use the bed if any structural part is broken or missing; Replacement parts are between requested from the manufacturer or the store.
- c) **WARNING**-Do not climb or wiggle on any non-designated structures.
- d) it is imperative to always follow the installation instructions and manufacturer's use.
- e) **The recommended size of the mattress to be used with the bed is 135cmx190cm, maximum thickness mattress:25cm.**
- f) It is necessary to ventilate the room in order to maintain a low level moisture and prevent mold growth in the bed and its periphery.
- g) Joining devices should always be tightened properly and regularly verified. Tighten if necessary.



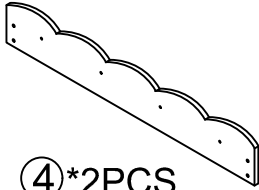
# N604P390169



①\*1PC



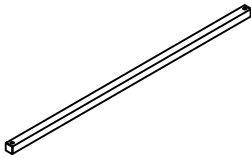
③\*1PC



④\*2PCS



⑤\*2PCS



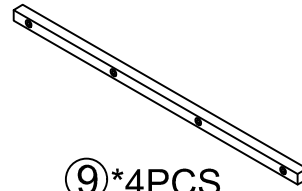
⑥\*1PC



⑦\*2PCS



⑧\*2PCS



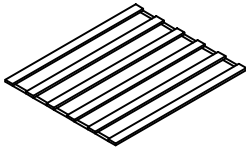
⑨\*4PCS



⑩\*3PCS



⑪\*6PCS



⑫\*2PCS



⑬\*2PCS

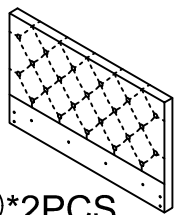


⑭\*1PC



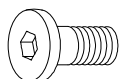
⑮\*2PCS

# N604P390170

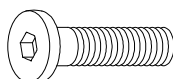


②\*2PCS

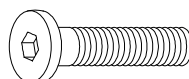
## Hardware List-Hardwareliste N604P390169



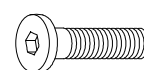
M8×16 mm  
A\*40PCS



M8×35 mm  
B\*6PCS



M8×45 mm  
C\*1PC



M6×35 mm  
D\*16PCS

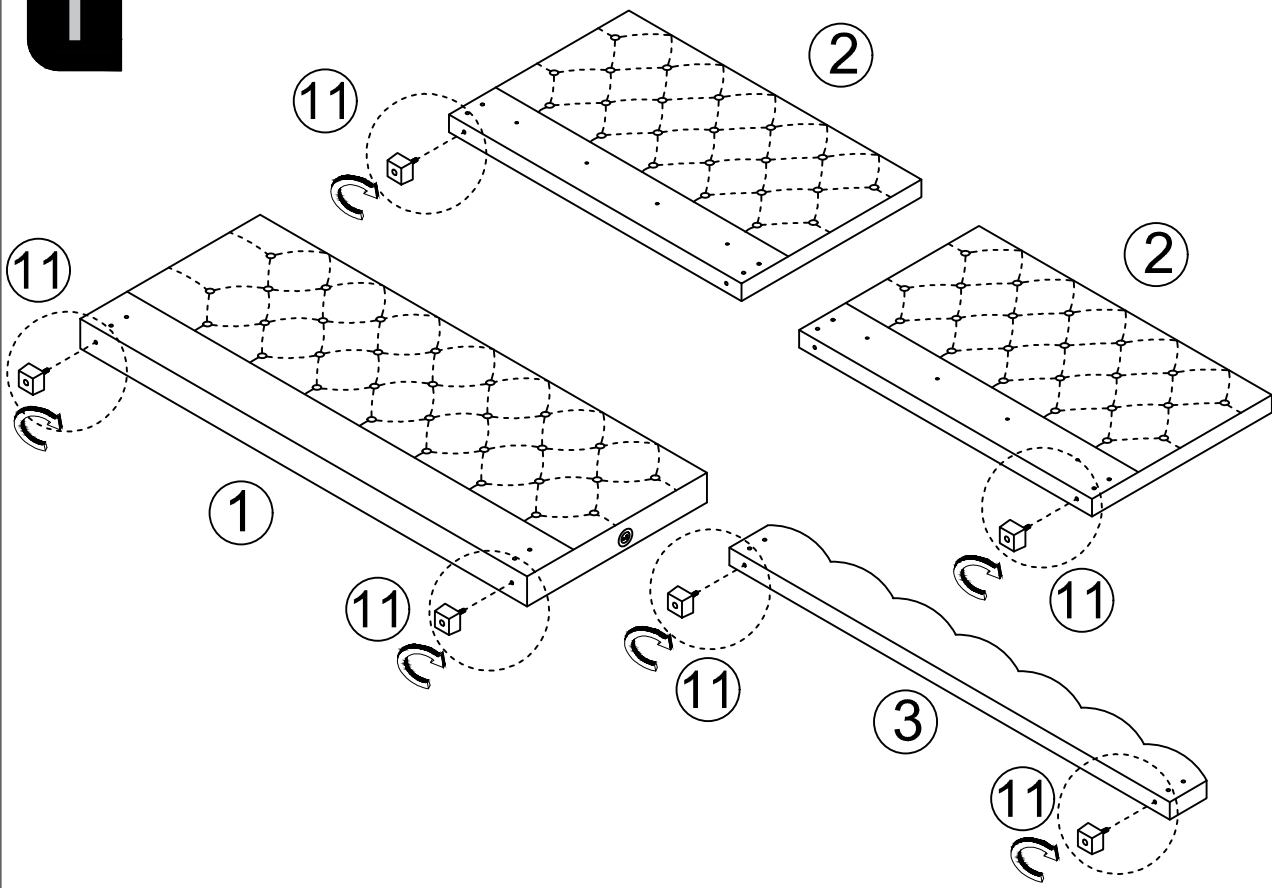


S4  
E\*1PC



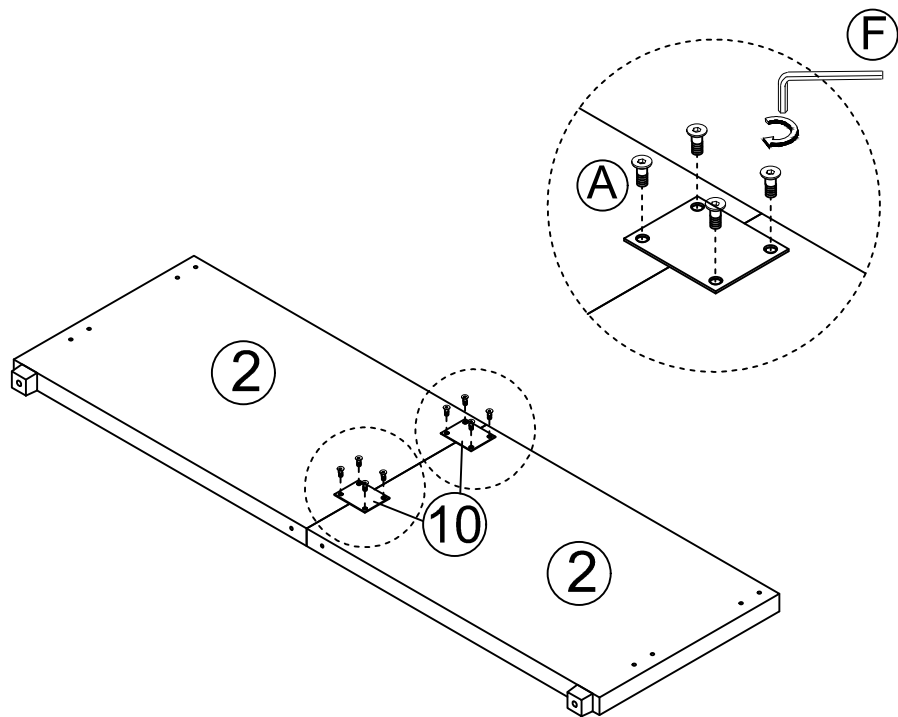
S5  
F\*1PC

# 1


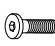


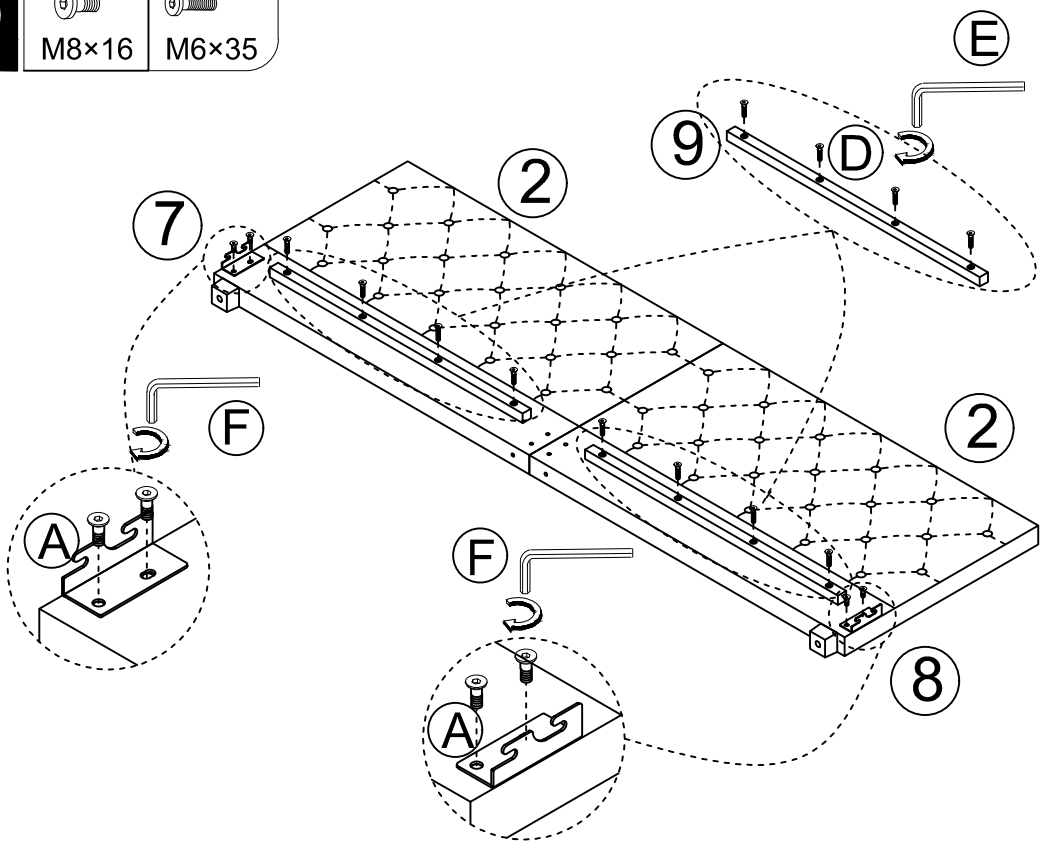
# 2

A\*8  
M8×16


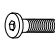


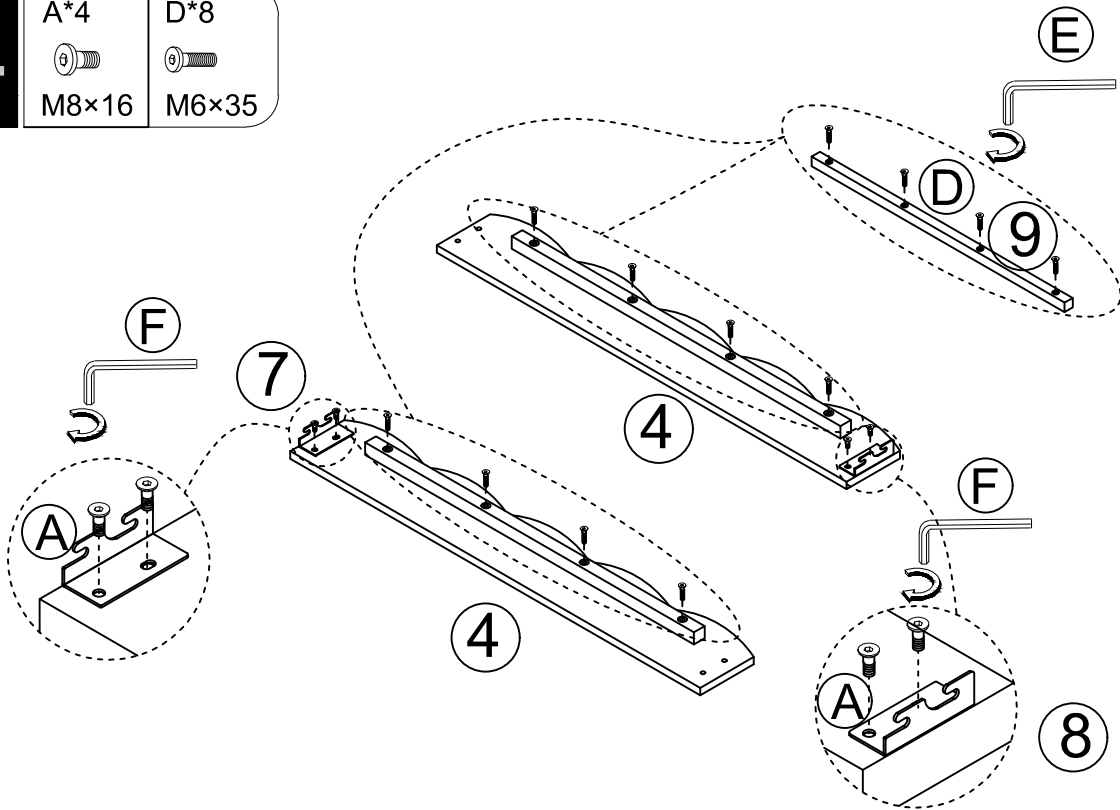
3

A*4	D*8
	
M8×16	M6×35

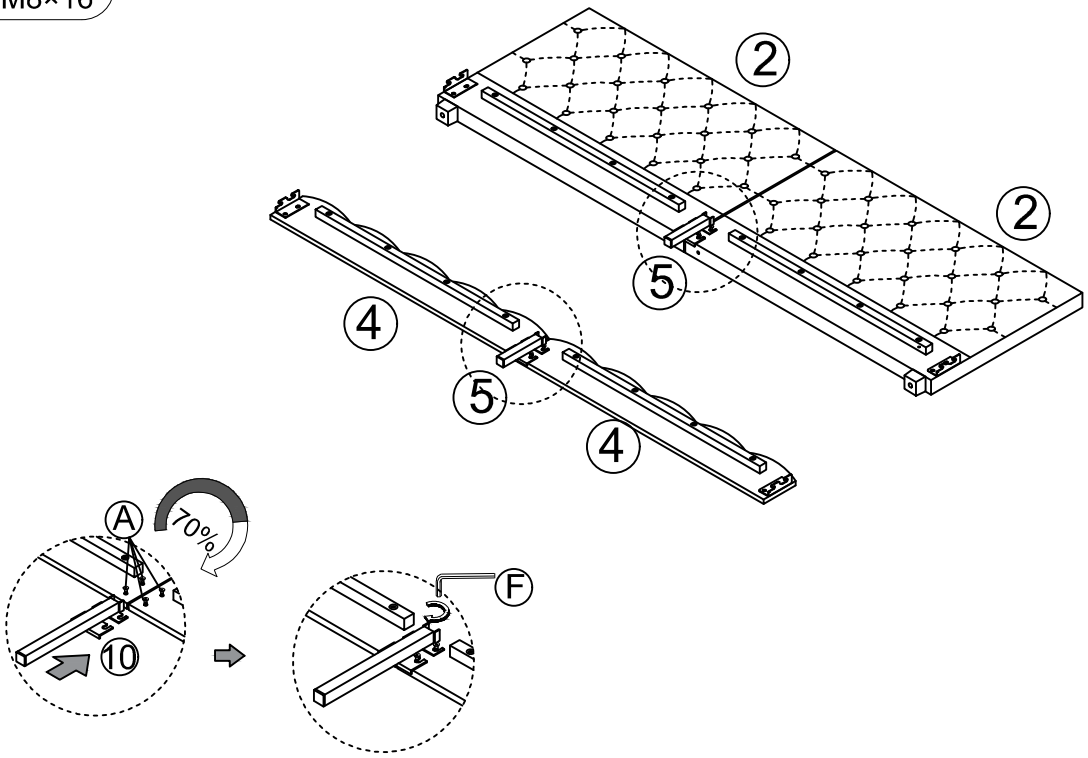


4

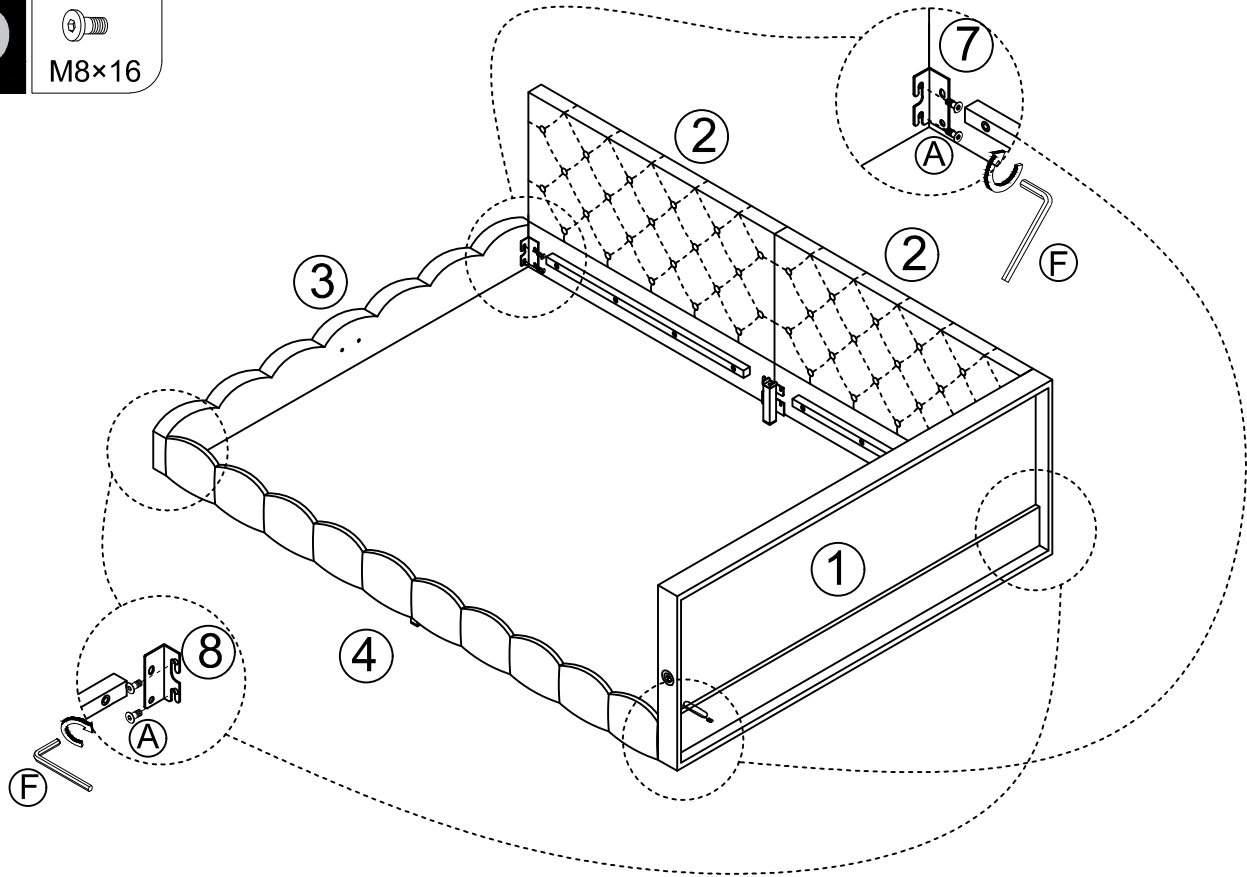
A*4	D*8
	
M8×16	M6×35



**5** A\*8  
M8×16



**6** A\*8  
M8×16

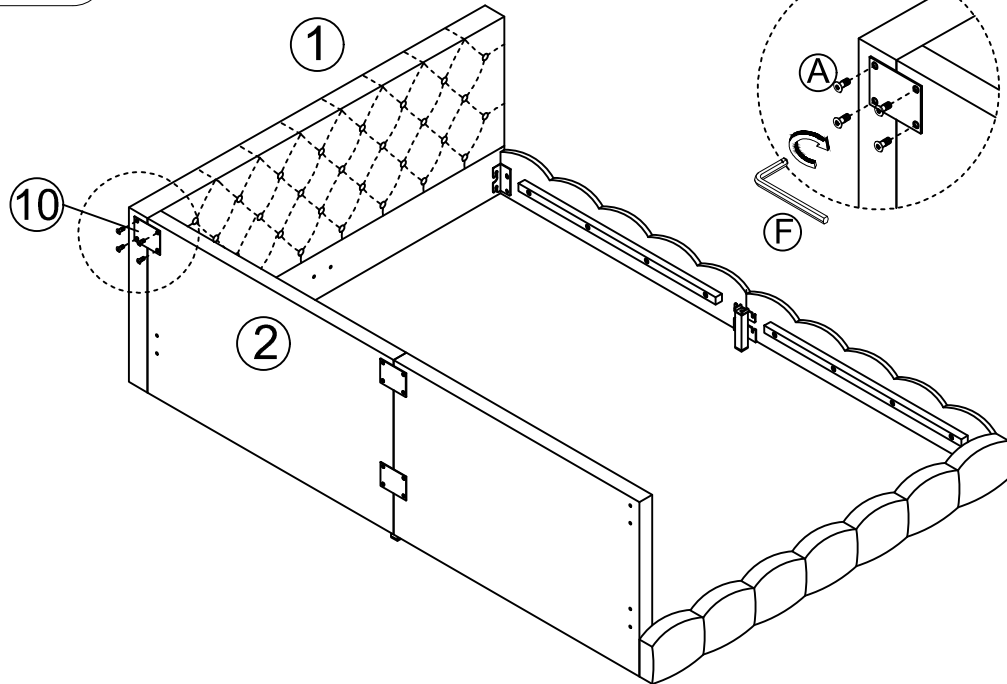


7

A\*4



M8×16

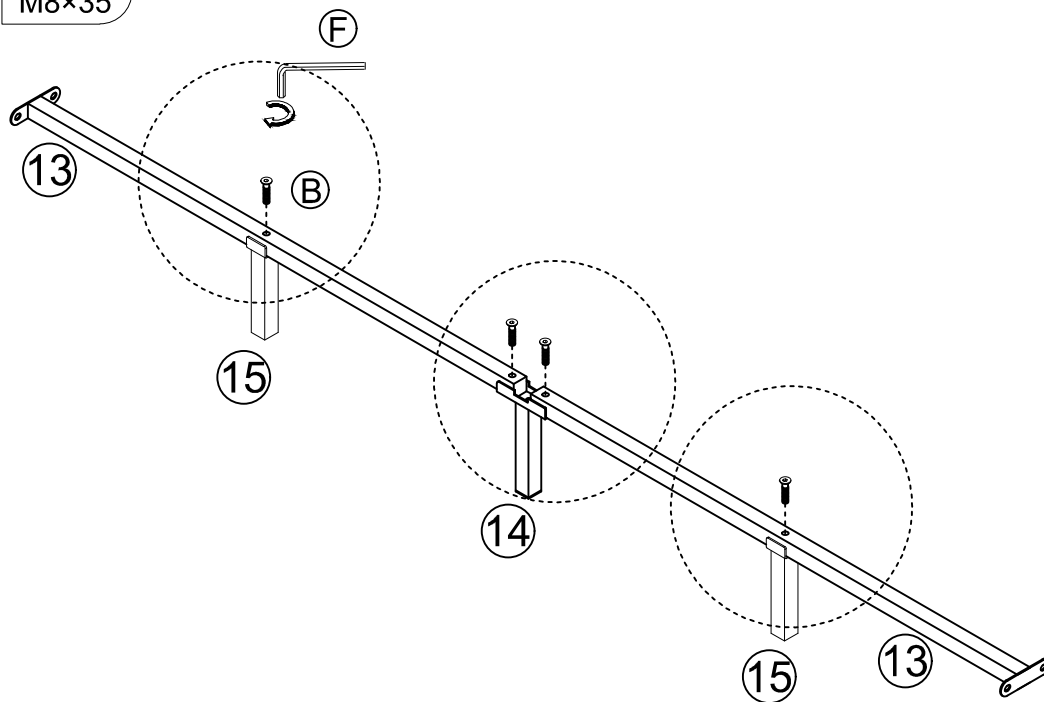


8

B\*4



M8×35

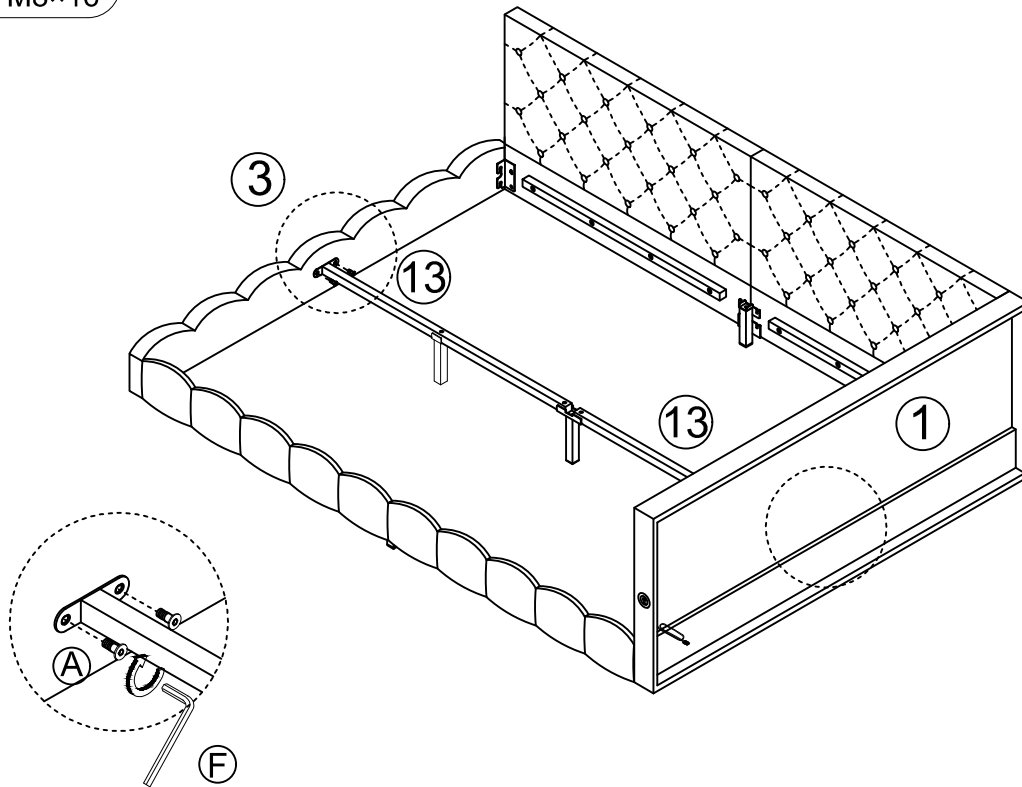


9

A\*4



M8×16



10

B\*2

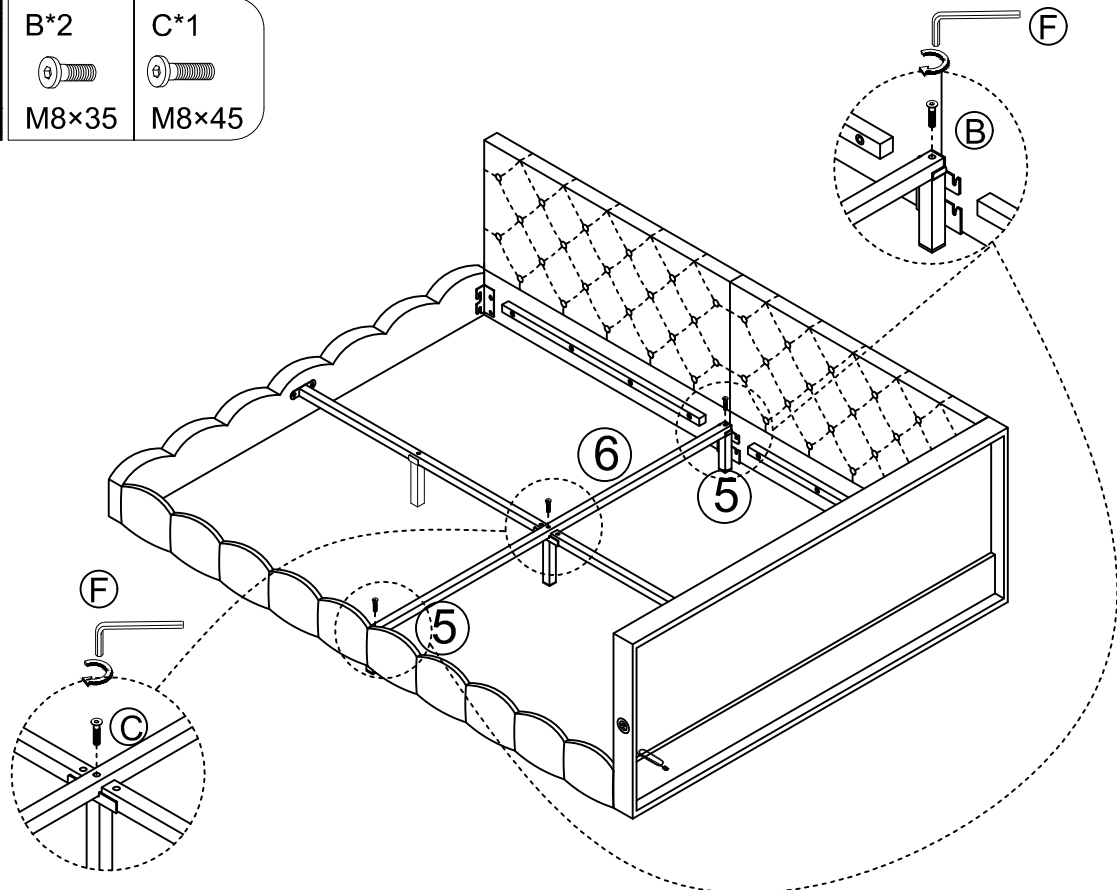


M8×35

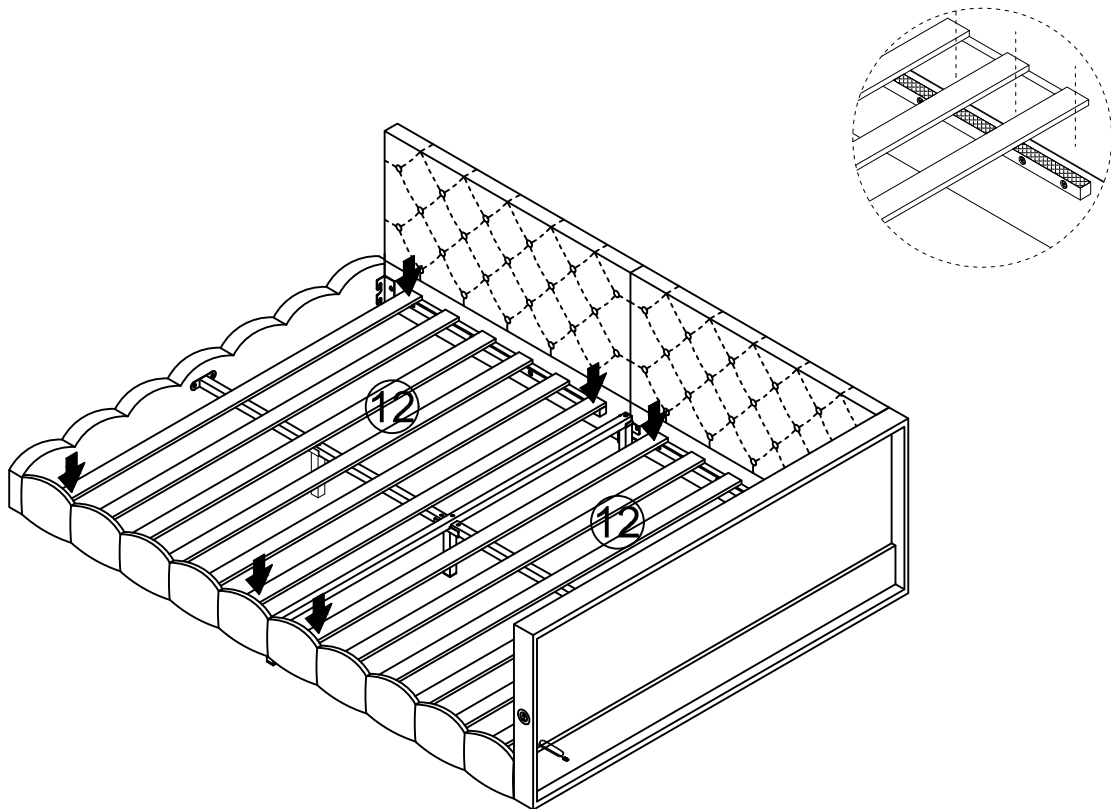
C\*1



M8×45



11





Reference No. : WTN23D07163421R1Z  
Applicant : Guangdong Zhongong Electrical Technology Co., LTD  
Address : 701, Building 29, Zhifu Garden, Xingtan Town,  
Shunde District, Foshan City  
Manufacturer : Guangdong Zhongong Electrical Technology Co., LTD  
Address : 701, Building 29, Zhifu Garden, Xingtan Town,  
Shunde District, Foshan City  
Product : Furniture socket  
Model No. : See model list  
Technical data : 250V AC, 50-60Hz 13A USB, output:5.0V 2A 10W

### Test Standards:

**BS 1363-2: 2016+A1:2018**

**BS EN IEC 62368-1:2020/A11:2020**

The above product has been tested by us with the listed standards and found in compliance with the Electrical Equipment (Safety) Regulations 2016 of United Kingdom (S.I. 2016 No.1101). It is possible to use UKCA marking to demonstrate the compliance with the regulations.

**Audio/video, information and communication technology equipment- Part 1:Safety requirements**

**13 A plugs, socket outlets, adaptors and connection units-Part 2: Specification for 13 A switched and unswitched socket outlets**

The referred test report(s) show that the product complies with standard(s) recognized as giving presumption of compliance with the essential requirements in the above mentioned UK regulations. Other relevant UK regulations have to be observed.

After preparation of the necessary technical documentation as well as the declaration of conformity, the UKCA marking as shown below can be affixed on the equipment under the sole responsibility of the manufacturer.



Manager: Deval Qin  
Date: 2024-07-08

The statement is based on a single evaluation of the sample of above mentioned product. It does not imply an assessment of the whole production.

**Waltek Testing Group Co., Ltd.**

Hotline:400-840-2288

E-mail:info@waltek.com.cn

Http://www.waltek.com.cn

Ver.02. 29.07.2022, WALTEK is registered trademark. Utilisation and application requires prior approval.

# Attachment

## Model list



Reference No.:WTN23D07163421R1Z

Product name	Model name	Differences	differences
Furniture socket	ZG-JJY-1	13A 250V AC , USB output:5V 2A 10W	1-position socket without switch and USB
	ZG-JJY-1UK		1-bit socket with switch and USB
	ZG-JJY-2		2-position socket without switch and USB
	ZG-JJY-2UK		2-bit socket with switch and USB
	ZG-JJY-3		3-position socket without switch and USB
	ZG-JJY-3UK		3-bit socket with switch and USB
	ZG-JJY-4		4-position socket without switch and USB
	ZG-JJY-4UK		4-bit socket with switch and USB
	ZG-JJY-5		5-position socket without switch and USB
	ZG-JJY-5UK		5-bit socket with switch and USB
	ZG-JJY-6		6-position socket without switch and USB
	ZG-JJY-6UK		6-bit socket with switch and USB
	ZG-JJY-7		7-position socket without switch and USB
	ZG-JJY-7UK		7-bit socket with switch and USB
	ZG-JJY-8		8-position socket without switch and USB
ZG-JJY-8UK	8-bit socket with switch and USB		

=====End of Attachment=====

**Waltek Testing Group Co., Ltd.**

Hotline:400-840-2288

E-mail:info@waltek.com.cn

Http://www.waltek.com.cn

Ver.02. 29.07.2022, WALTEK is registered trademark. Utilisation and application requires prior approval.