

ASSEMBLY INSTRUCTION



Cabinet

CATALOGUE

Precautions	01
Parts List	02
Hardware List	03
Tool List	04
Assembling Process	05-34

INTRODUCTION

Thank you for purchasing our products. Please read the instructions carefully before installation and keep it in a safe place for future reference. If you need any assistance or support, please feel free to contact our customer support team.

PRECAUTIONS

This package contains numerous components and hardware pieces. Please identify and verify all parts against the parts list before you begin assembly.

WARNING: Choking Hazard. This product contains small items. Keep all parts and hardware out of the reach of children during assembly.

To prevent scratches, assemble the product on a soft, non-abrasive surface such as a carpet, blanket, or the flattened cardboard packaging.

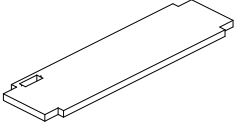
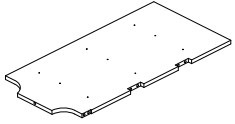
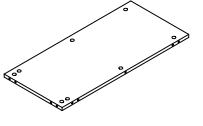
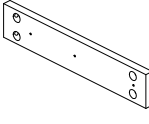
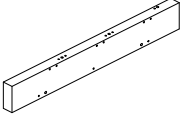
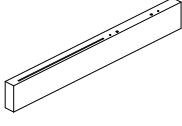
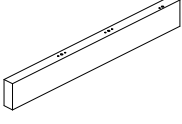
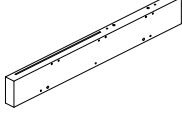
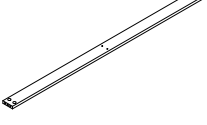
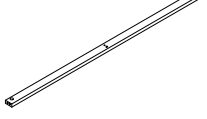
Some components are heavy. For safety, we recommend this product be assembled by two adults.

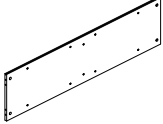
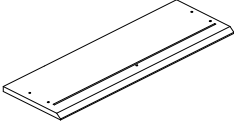
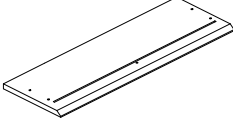
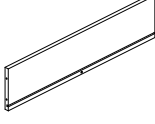
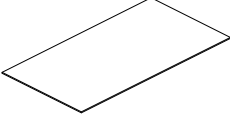
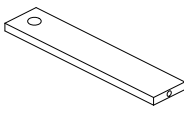
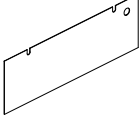
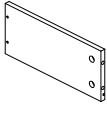
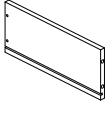
The unit may be unstable until assembly is fully complete. Do not move the product until all steps are finished.

If you encounter any issues or have questions, please contact our customer service team for assistance.

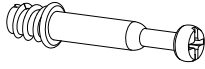


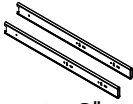


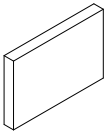
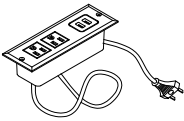
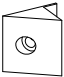

- * **Please be sure to follow the installation steps in the manual to avoid unnecessary losses caused by improper installation.**
- * **If you need further assistance, please contact the customer service online.**






Parts List

ID	Parts	QTY
1		1
2		1
3		2
4		6
5		1
6		1
7		1
8		1
9		2
10		1

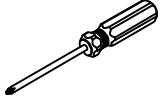
ID	Parts	QTY
11		1
12		3
13		3
14		6
15		6
16		6
17		1
18		6
19		6

Hardware List

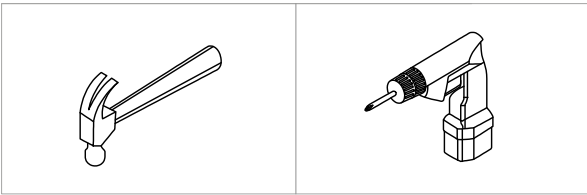
ID	Parts	QTY
A		91+3
B		91+3
C	 Ø8*30mm	25+2
D	 L=8"	6
E	 Ø7*Ø3.5*12mm	72+3
F	 Ø7.5*M5*50mm	2
G		2
H		1
I		6
J	 Ø7*Ø3.5*14mm	6

ID	Parts	QTY
K	 Ø8*Ø4*38mm	38+3
L		91+3
M	 Ø7*Ø3.5*14mm	2
N		1
O	 74*25*15mm	2

Tool List

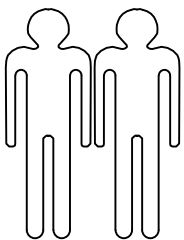
ID	Parts	QTY
Z1		1

Required Tools (Not Included)

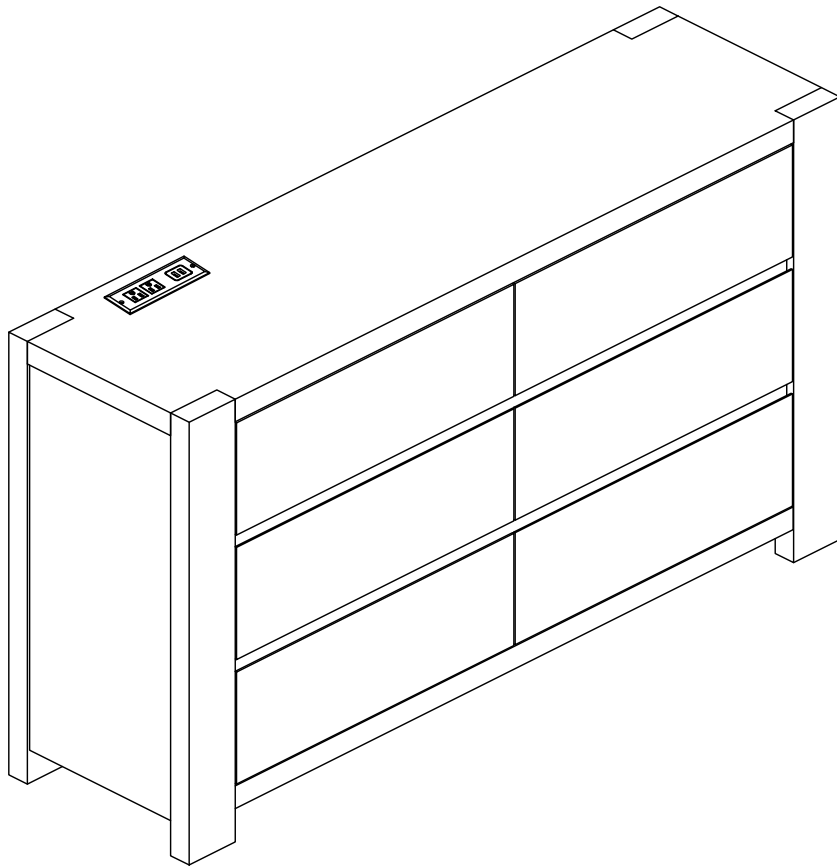


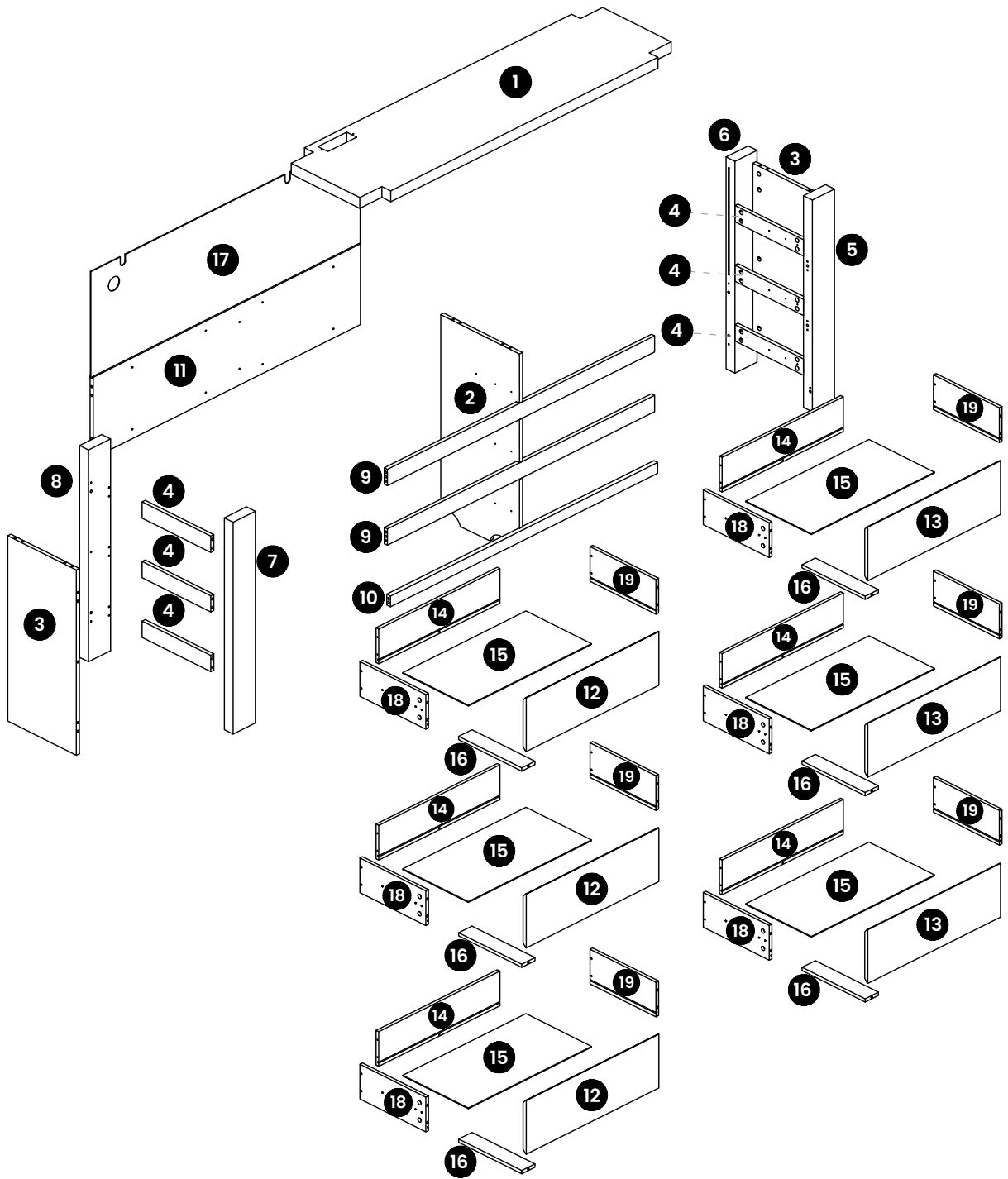
Wall mounting only

These tools are not required for product assembly.

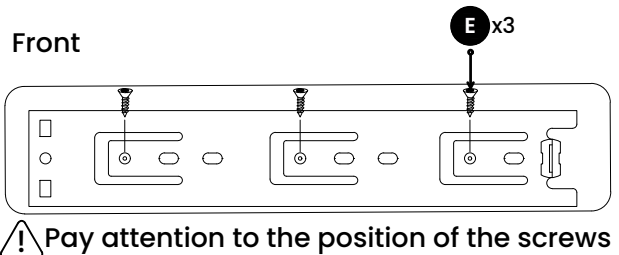
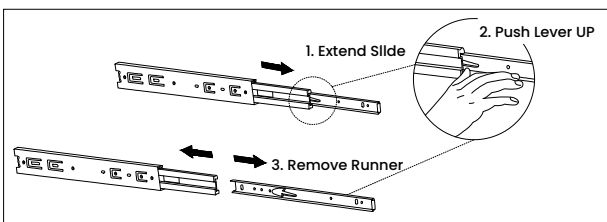
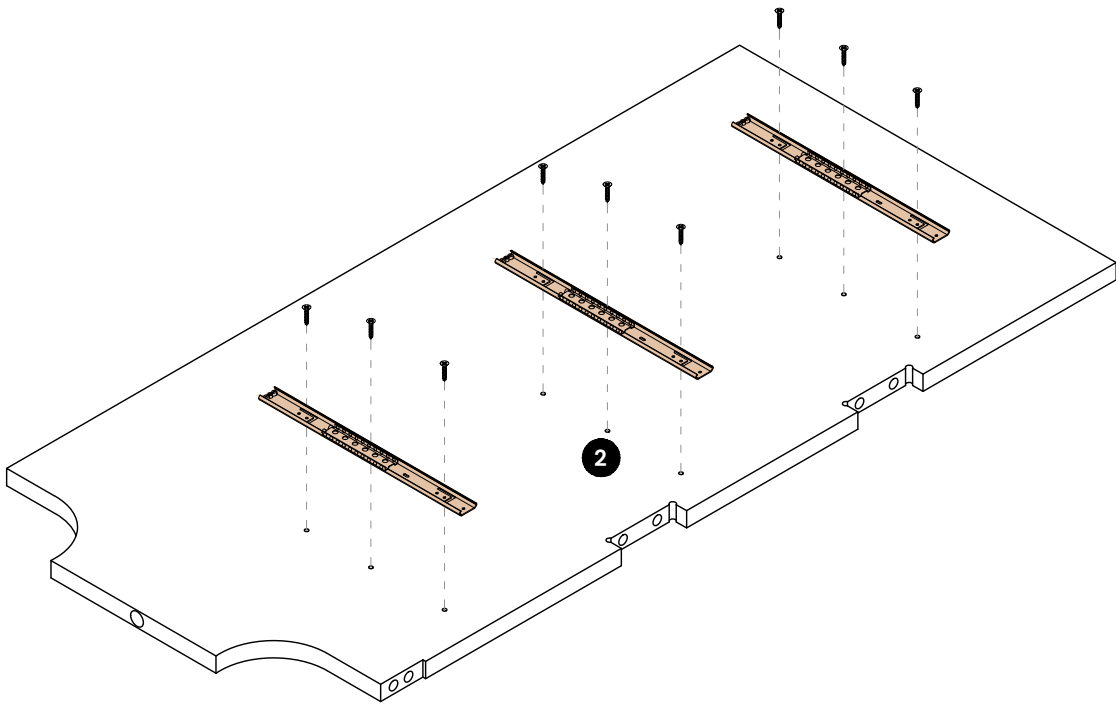


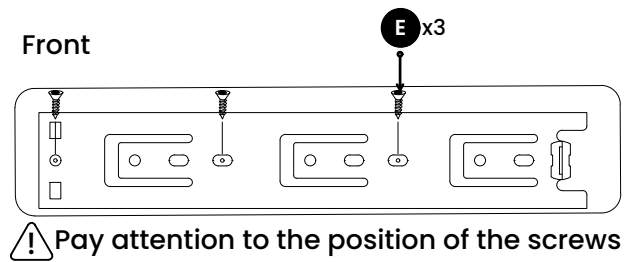
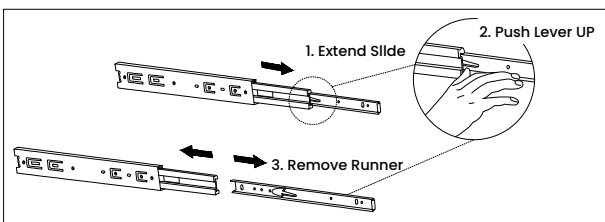
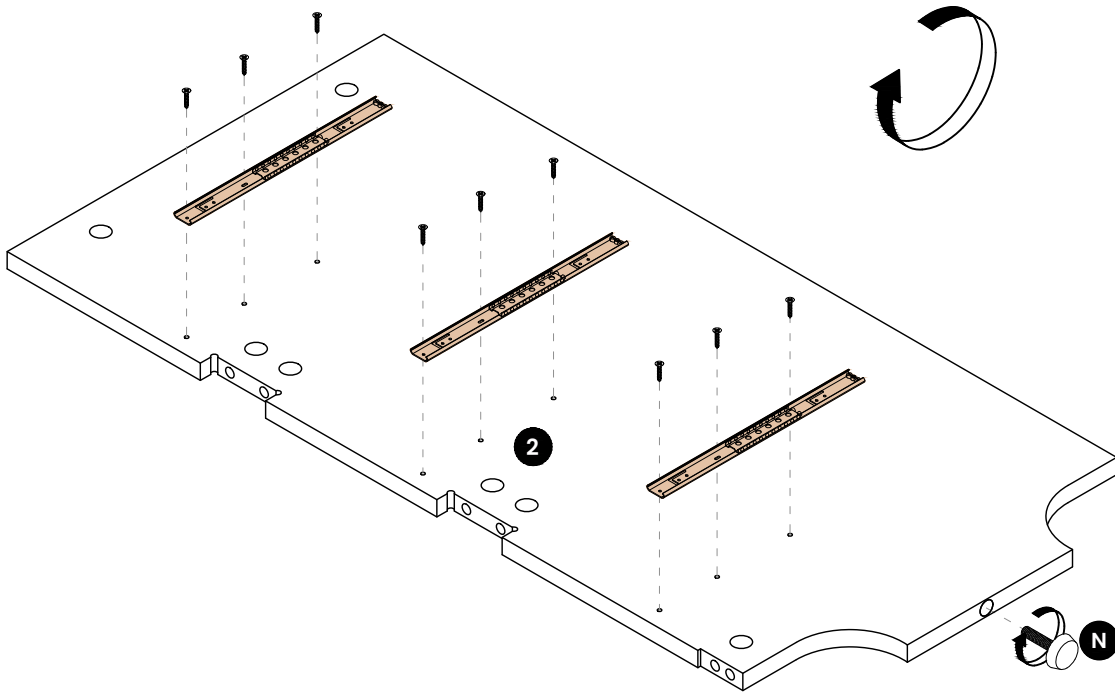
Multi-person installation

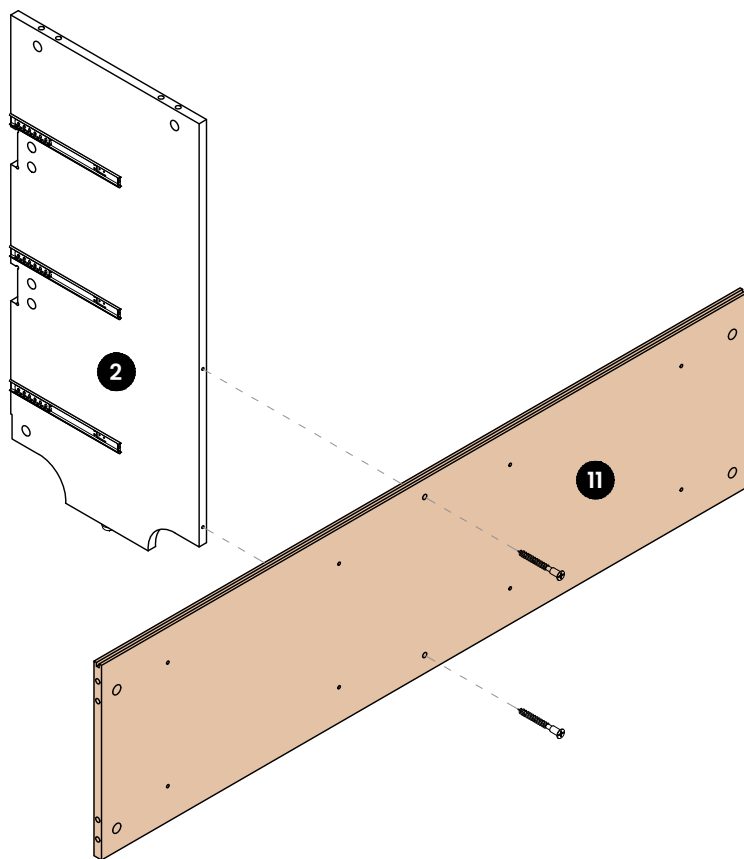




STEP 1



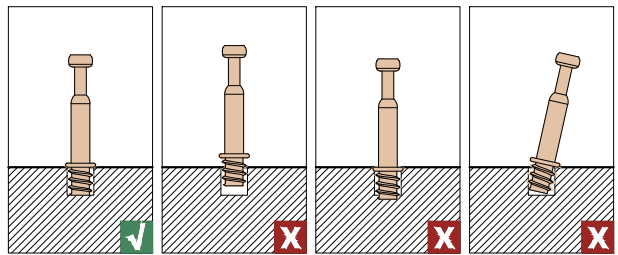
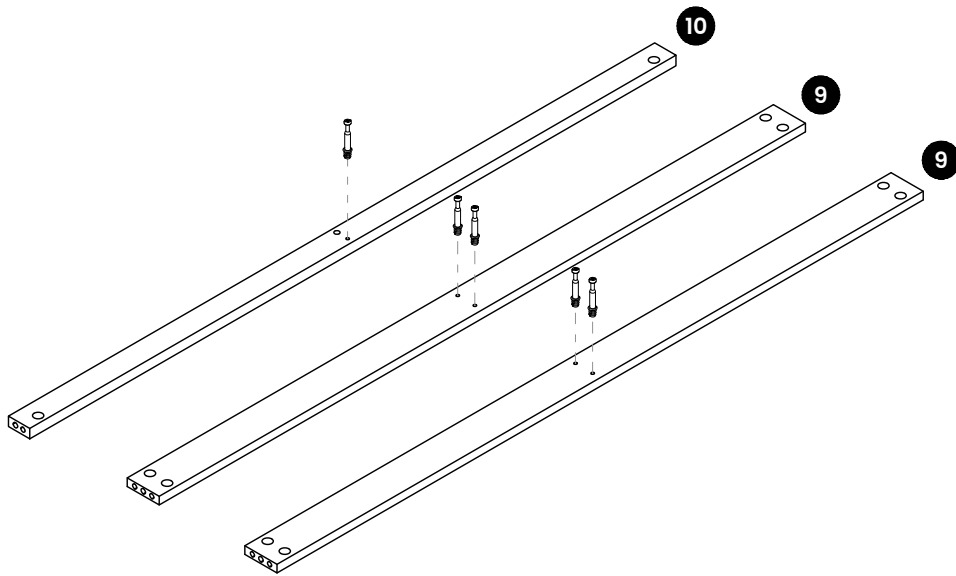
STEP 2

STEP 3**F** X2

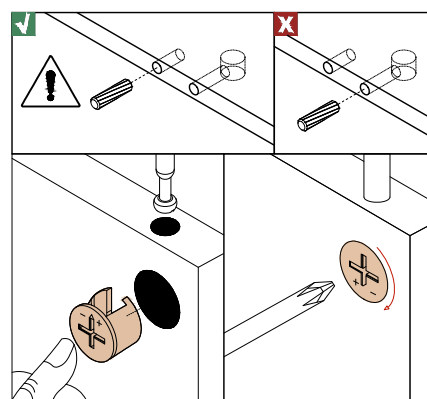
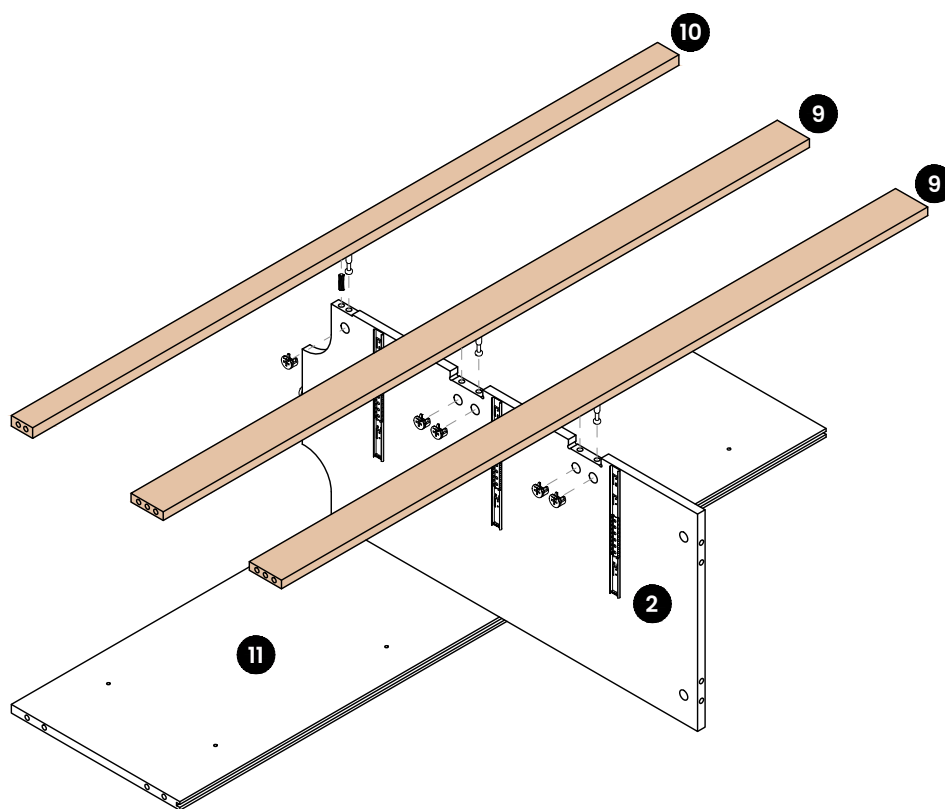
STEP 4



A X5



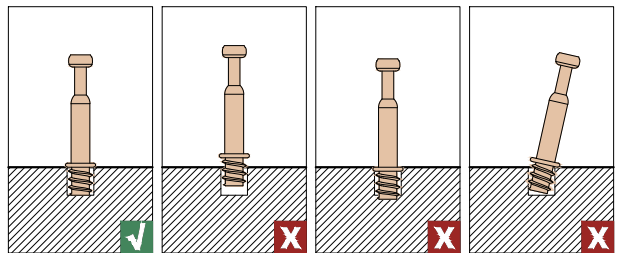
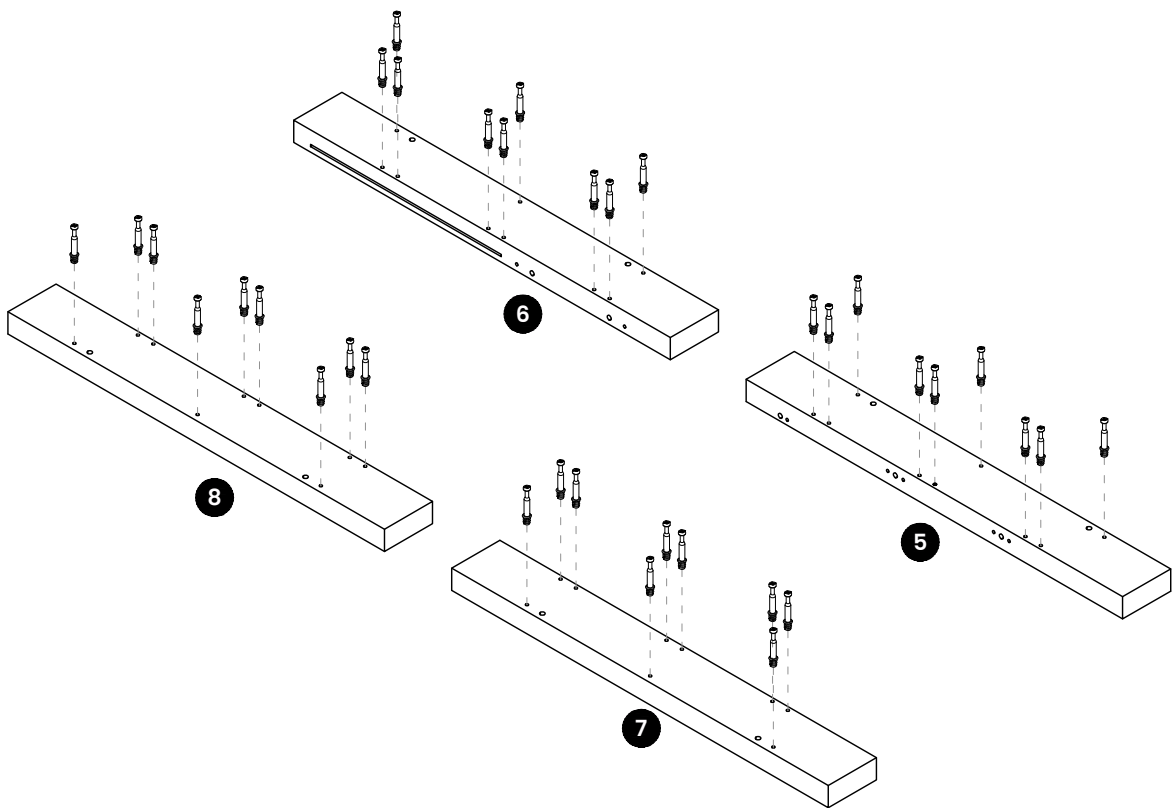
Install the screw correctly to secure the screw.

STEP 5**B** X5**C** X1

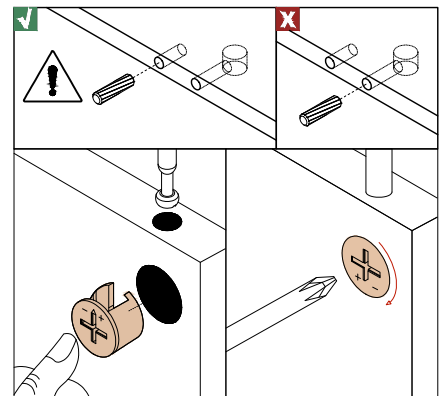
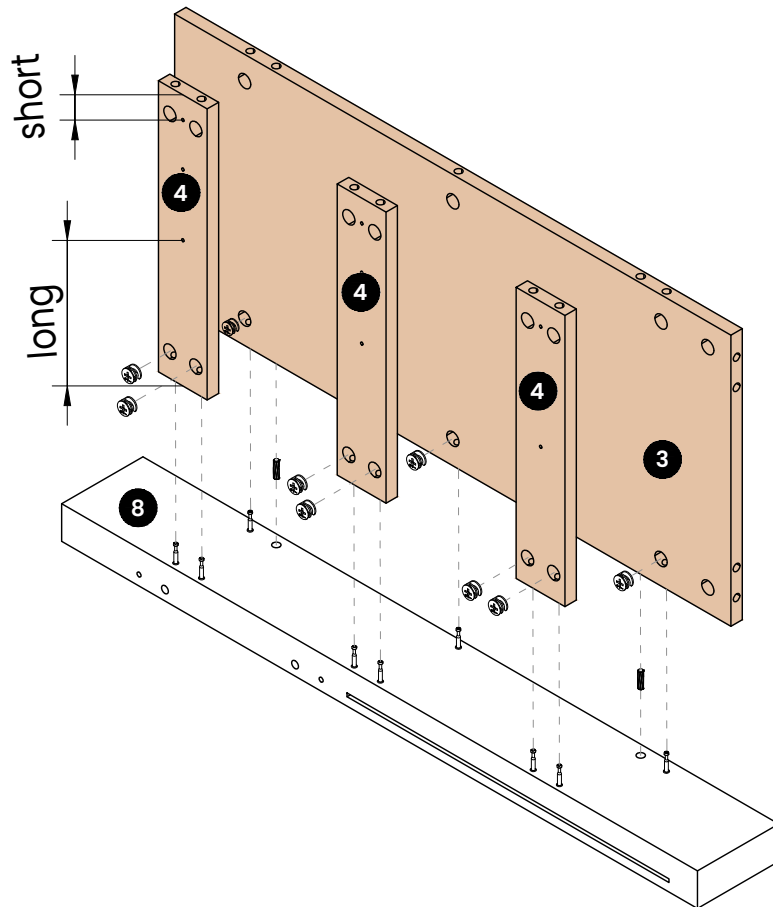
STEP 6



A X36



Install the screw correctly to secure the screw.

STEP 7**B** X9**C** X2

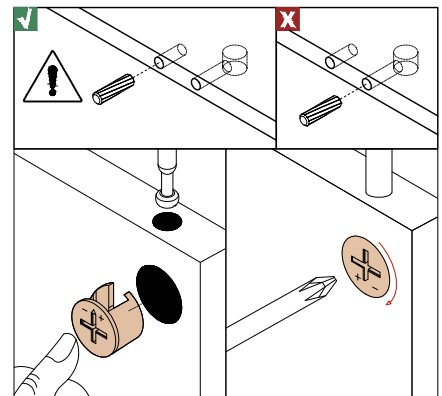
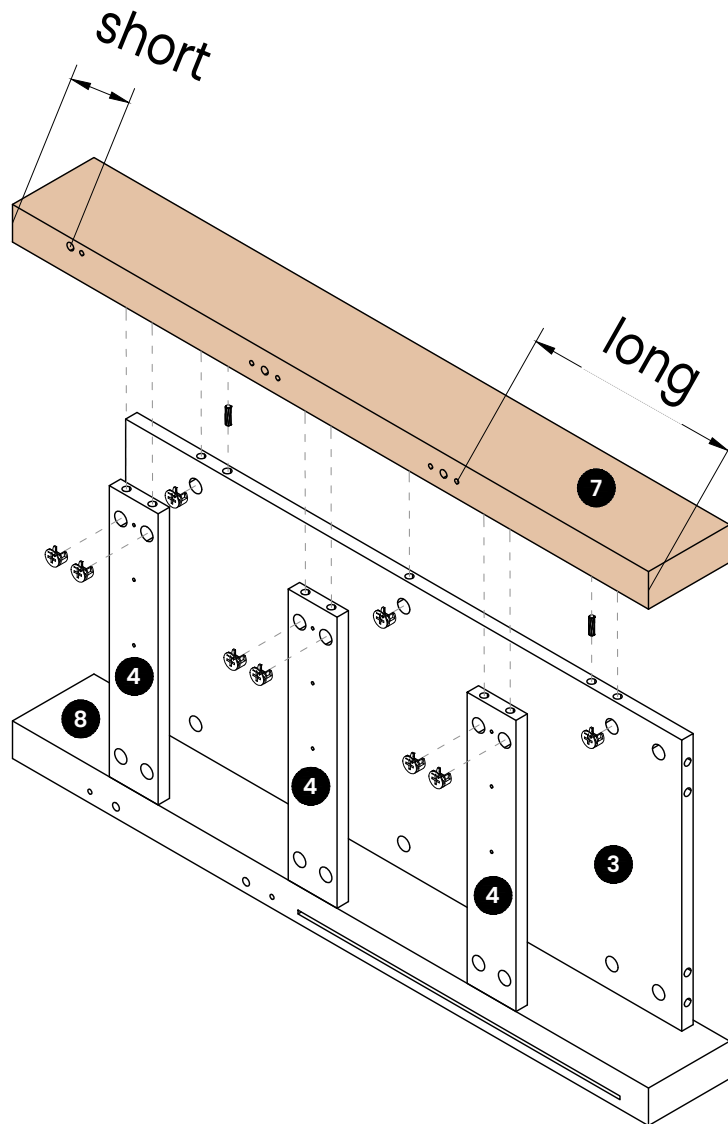
STEP 8

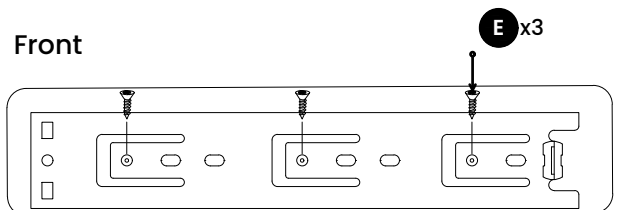
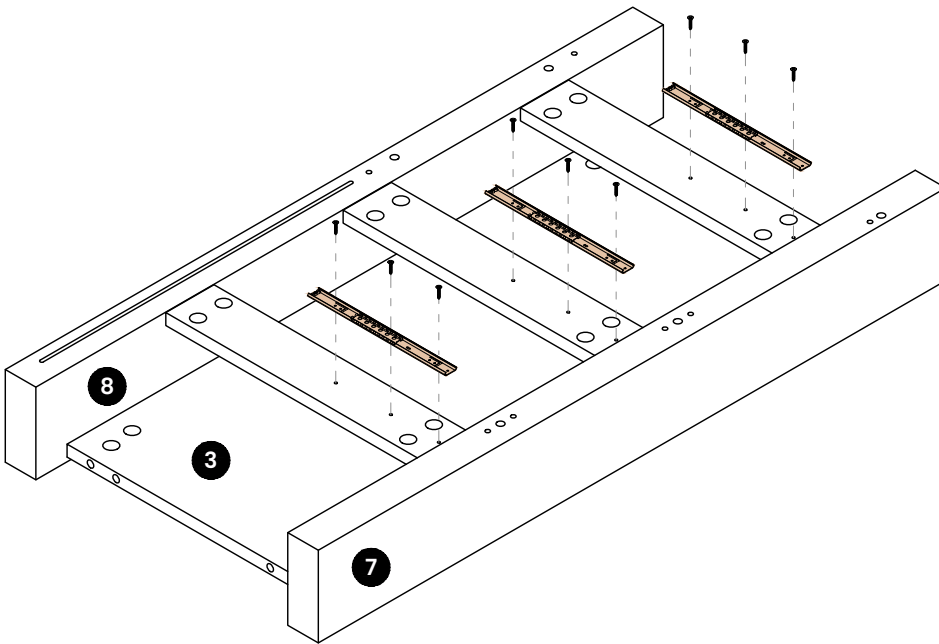


B X9



C X2



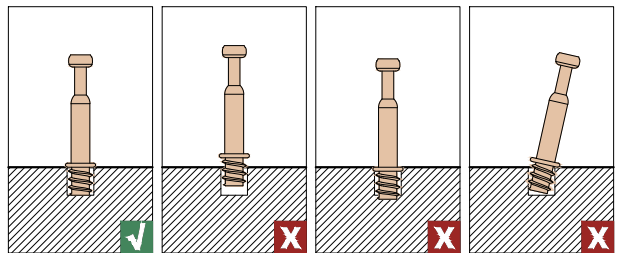
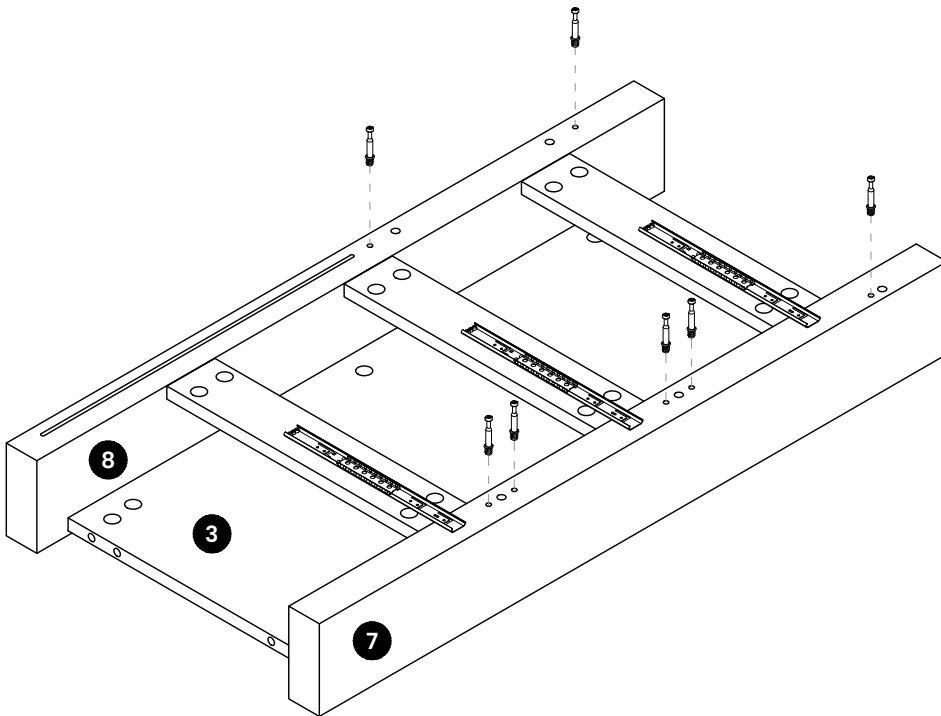
STEP 9

⚠ Pay attention to the position of the screws

STEP 10



A X7



Install the screw correctly to secure the screw.

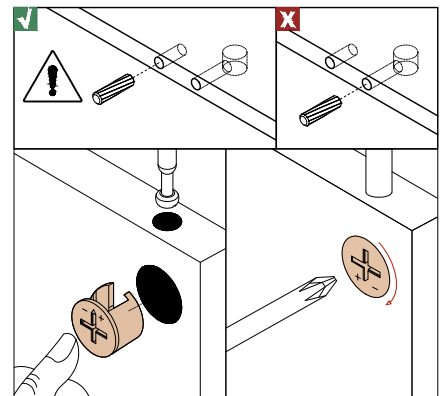
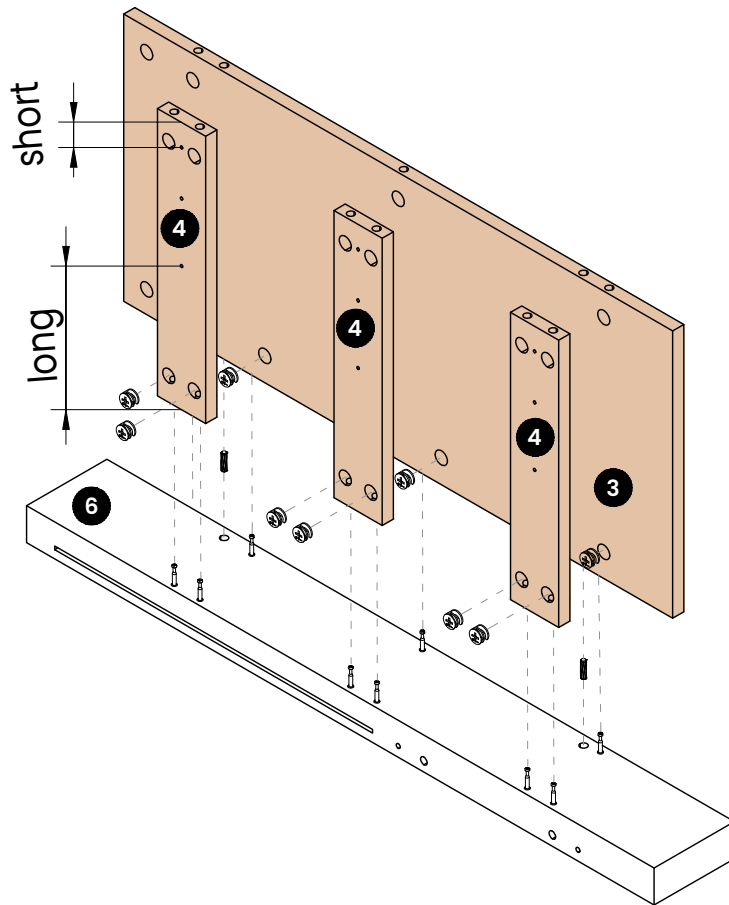
STEP 11



B X9



C X2



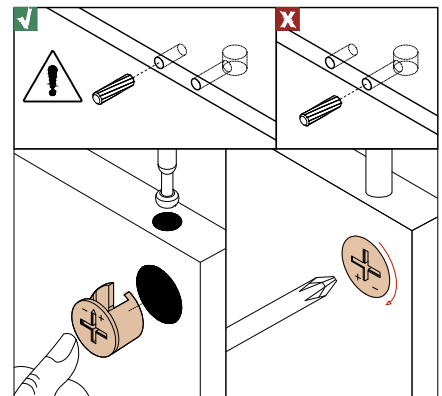
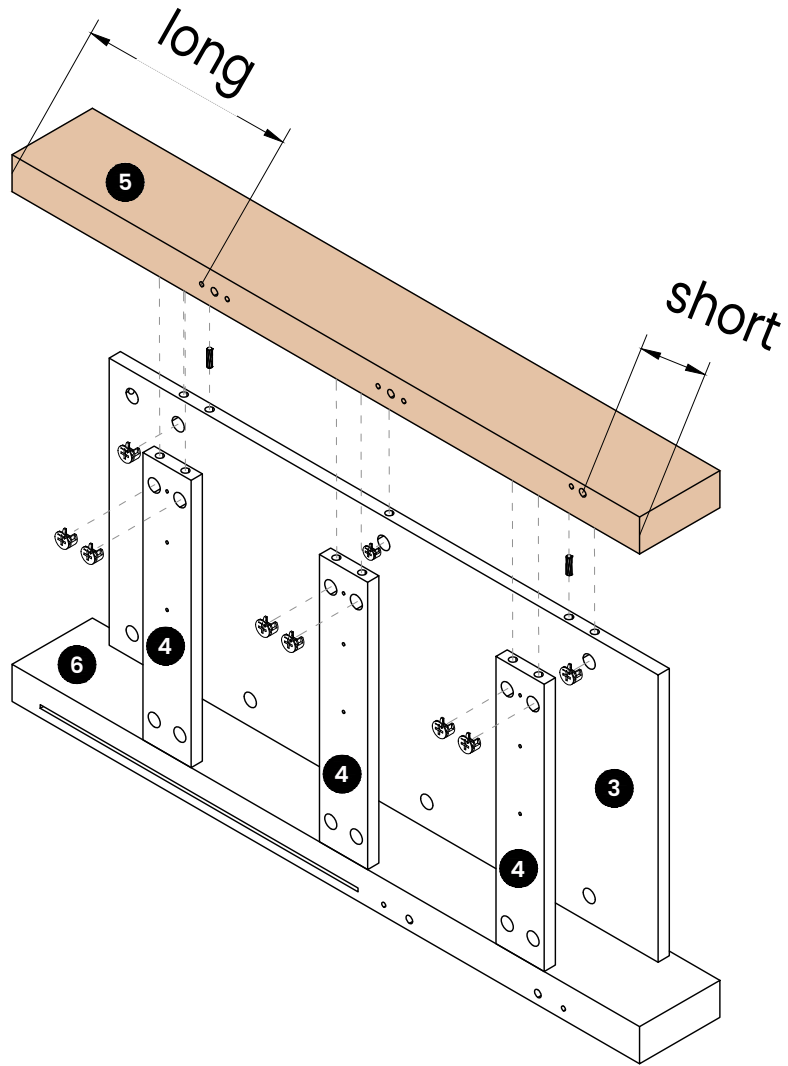
STEP 12

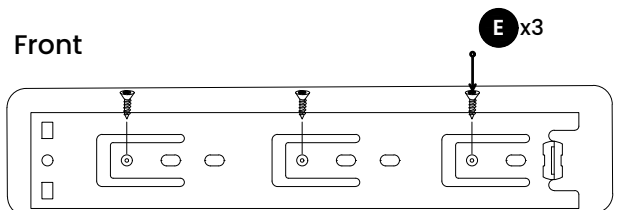
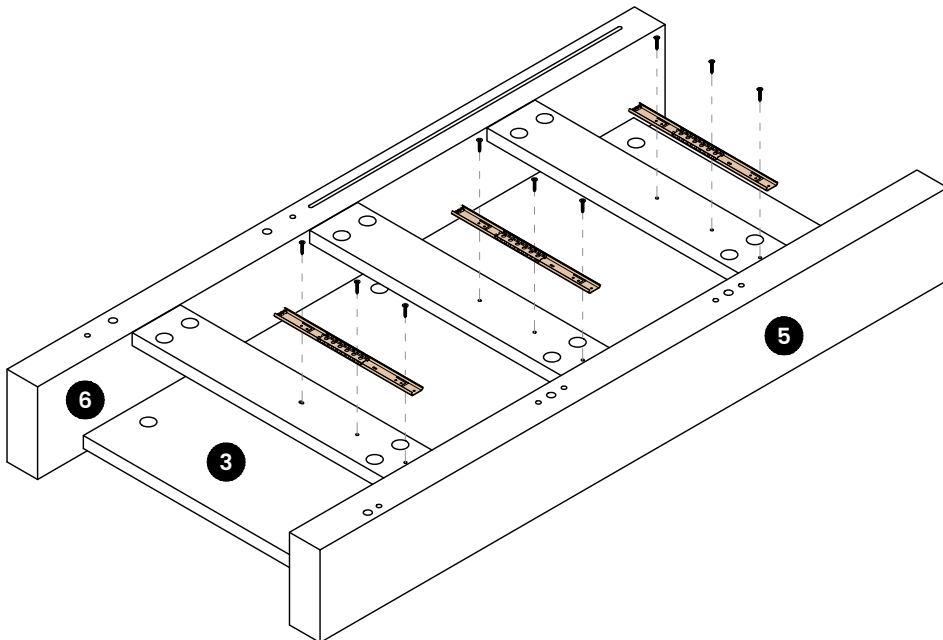


B X9



C X2



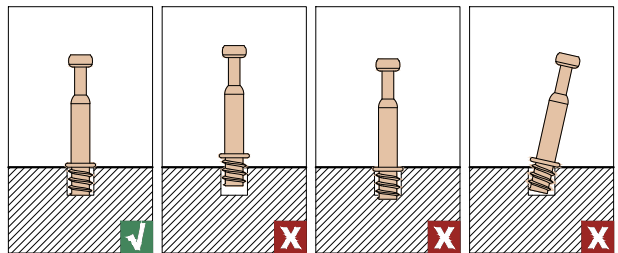
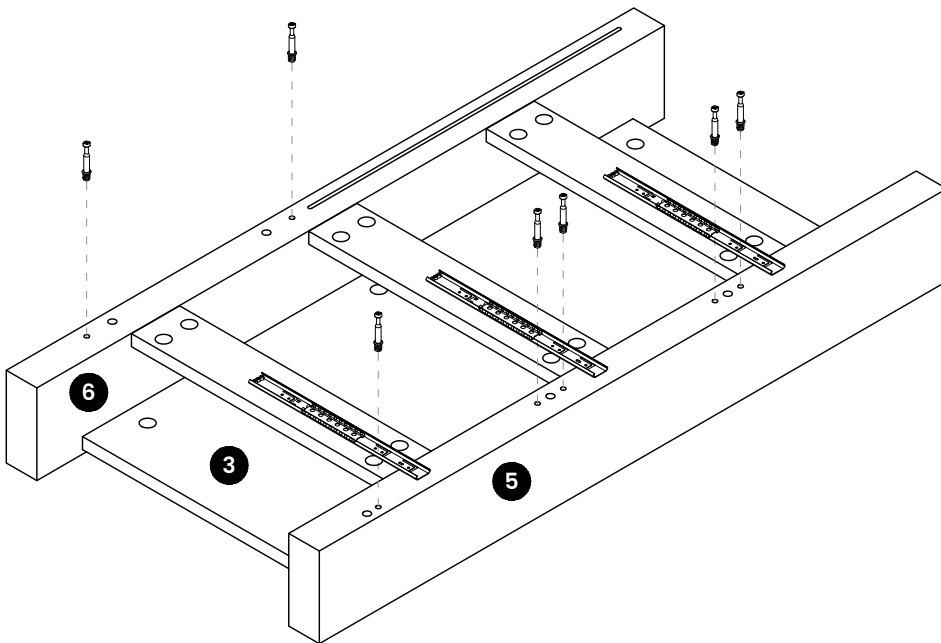
STEP 13

⚠ Pay attention to the position of the screws

STEP 14



A X7



Install the screw correctly to secure the screw.

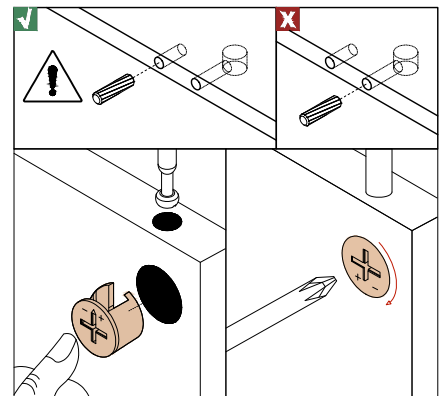
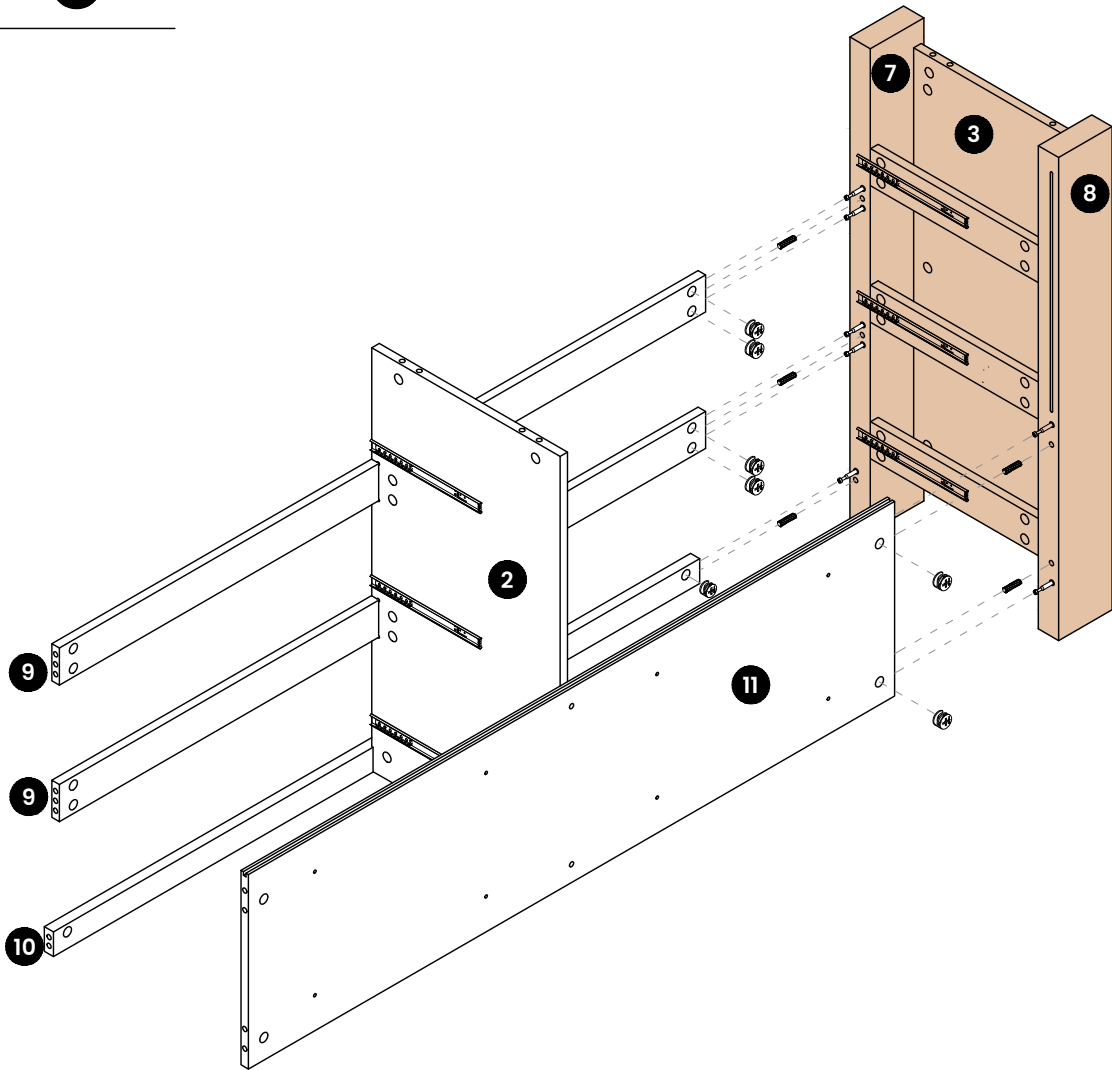
STEP 15

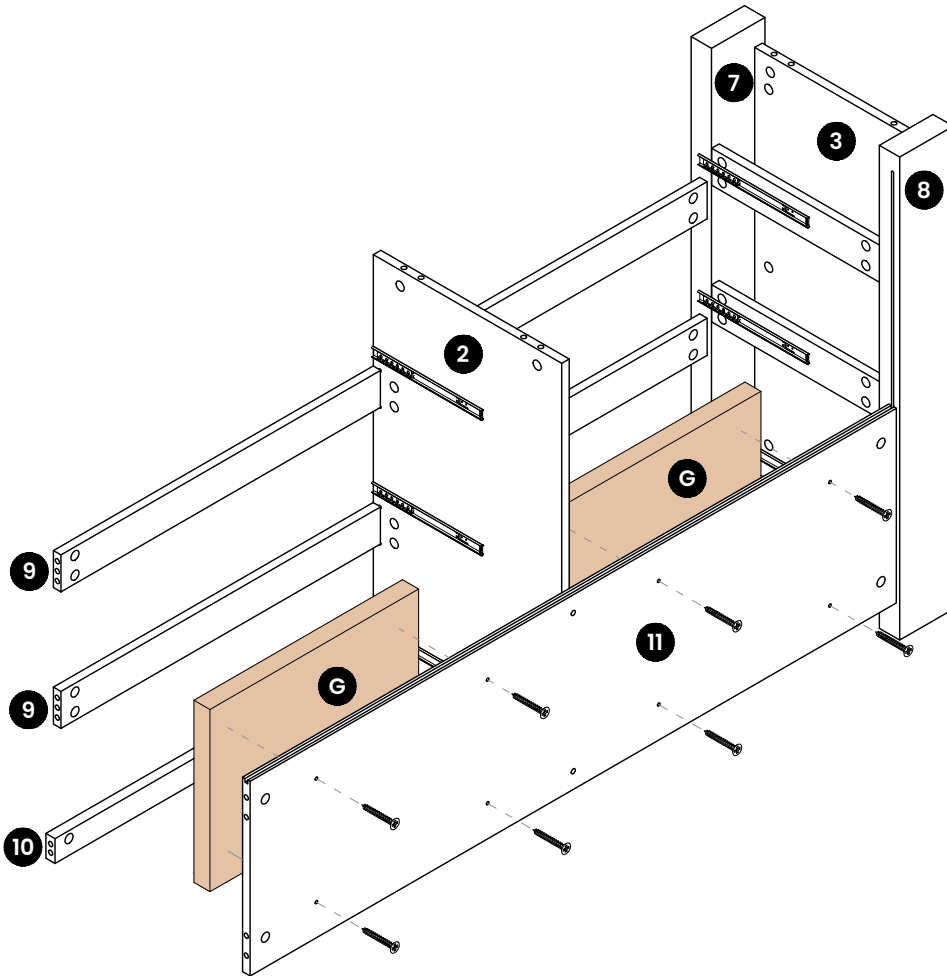
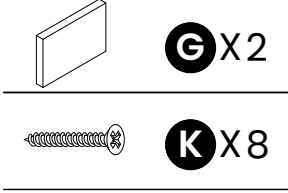


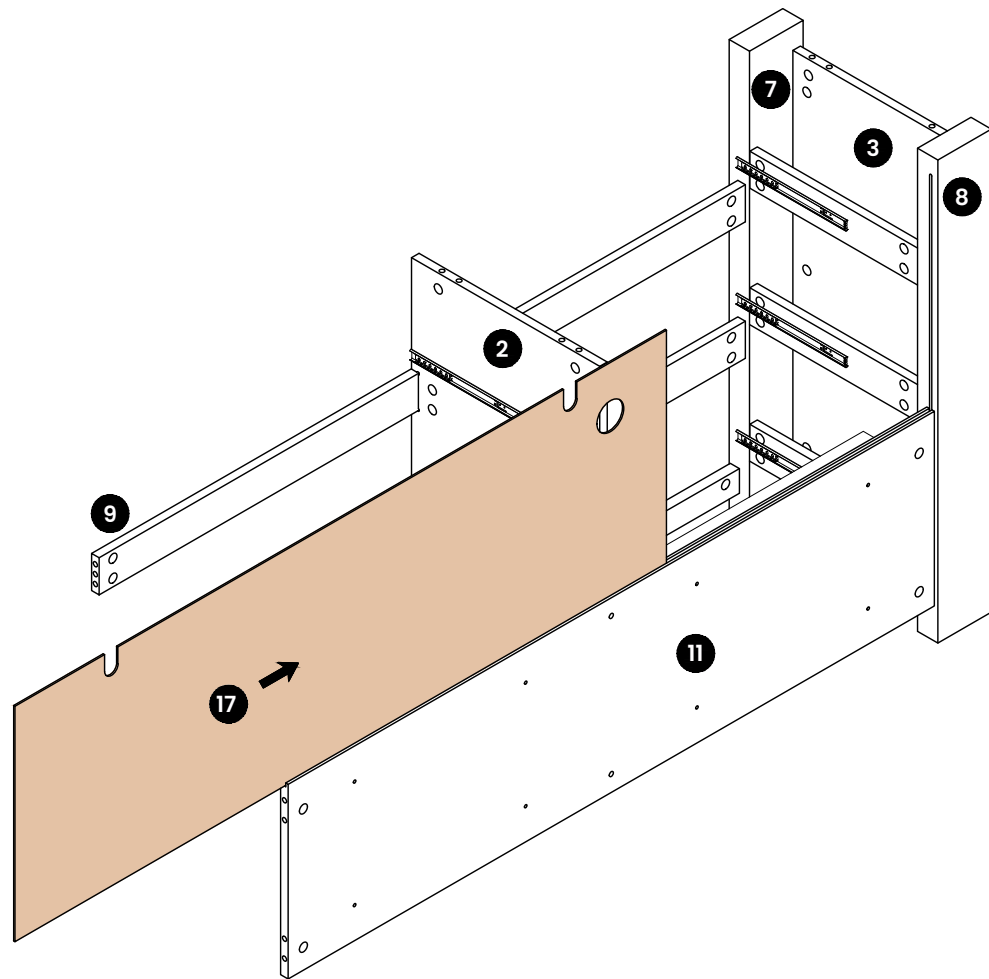
B X7

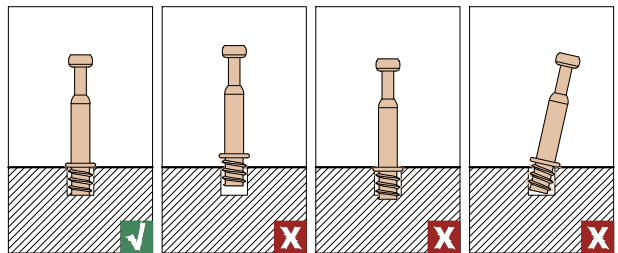
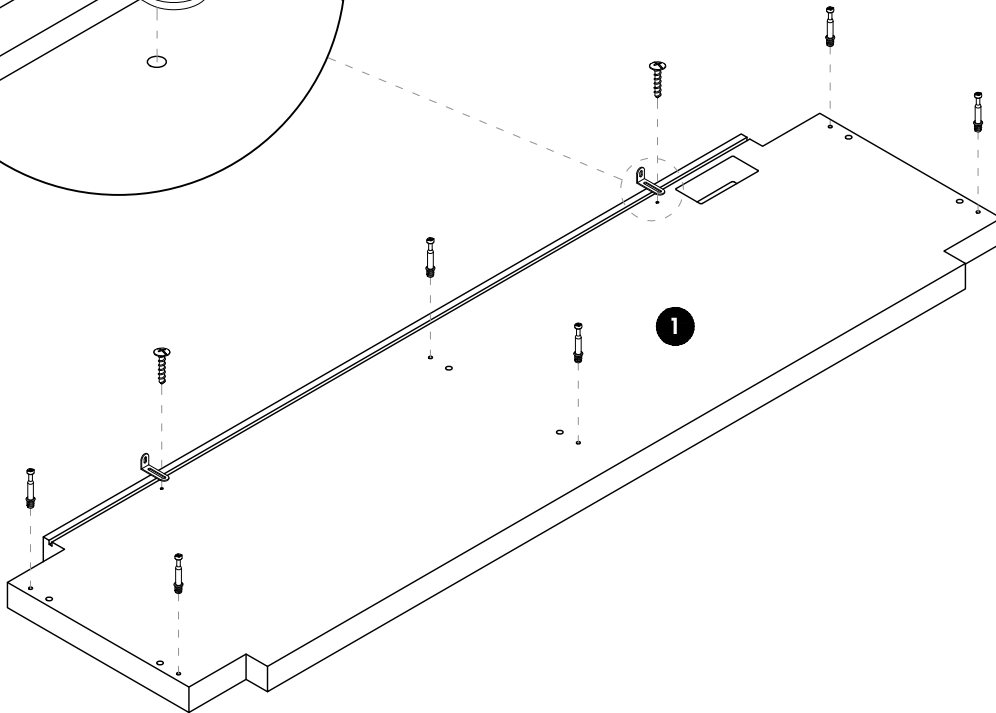
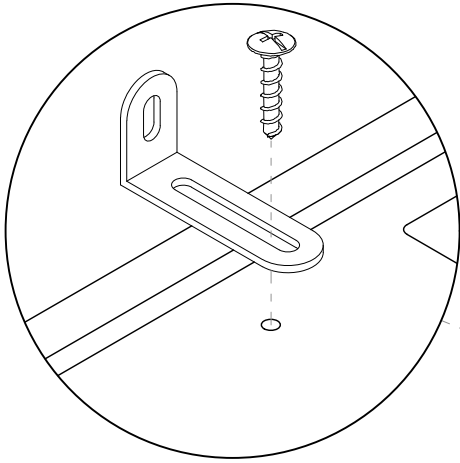


C X5



STEP 16

STEP 17

STEP 19 **A** X6 **O** X2

Install the screw correctly to secure the screw.

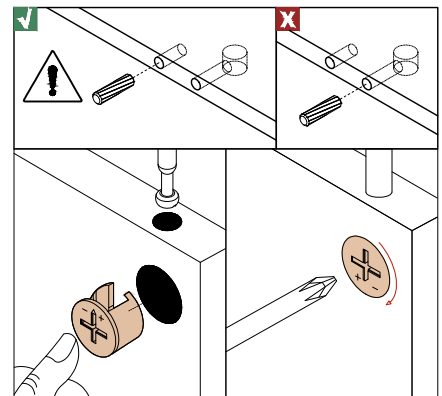
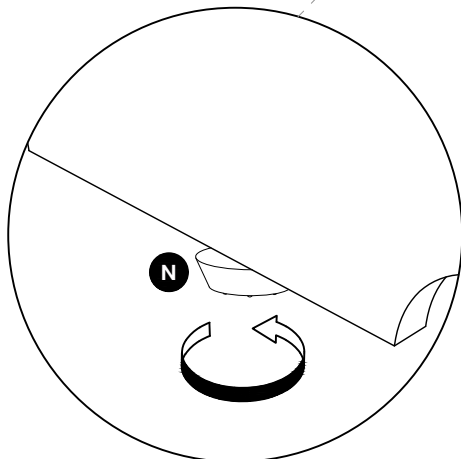
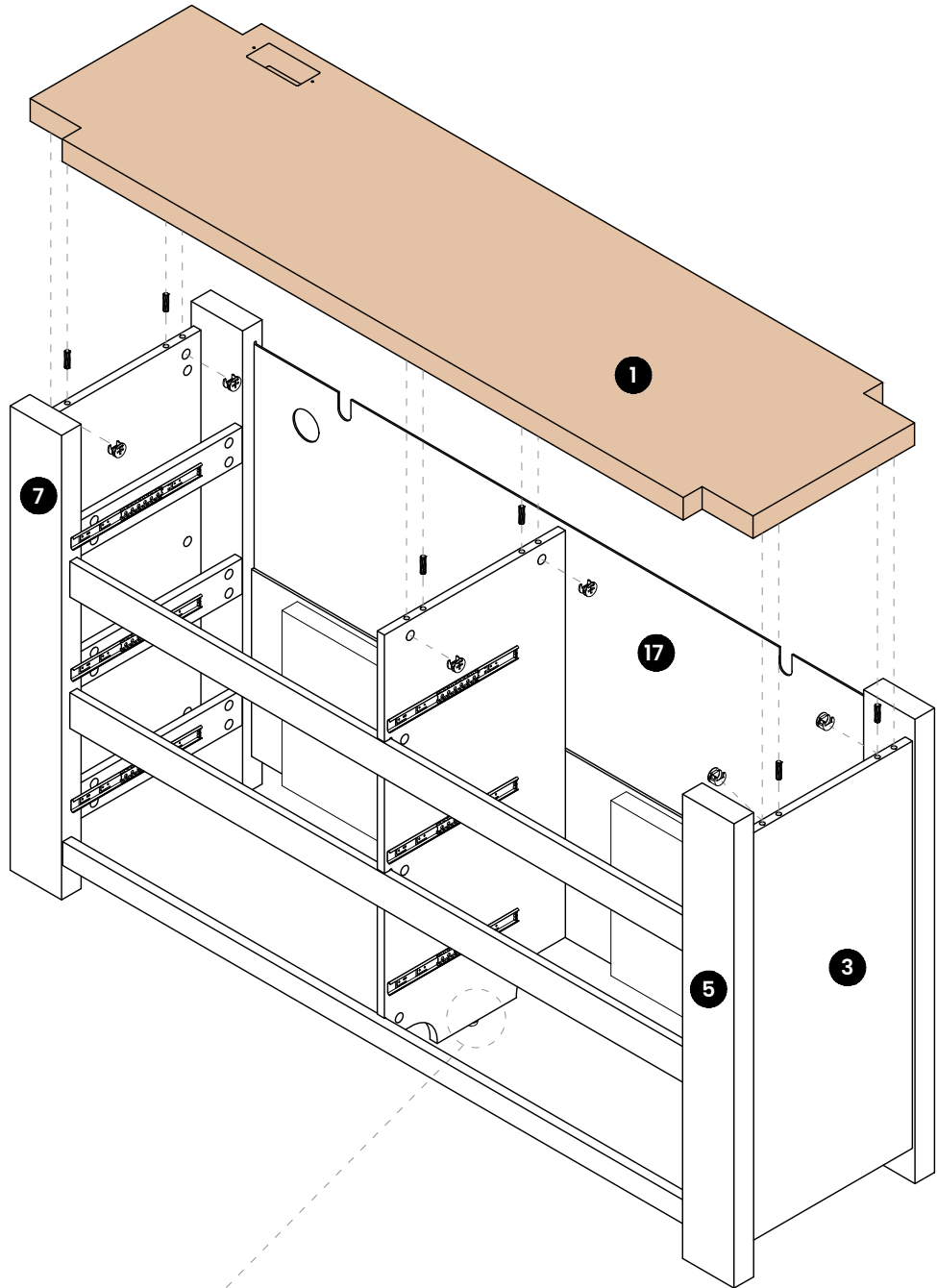
STEP 20



B X6



C X6



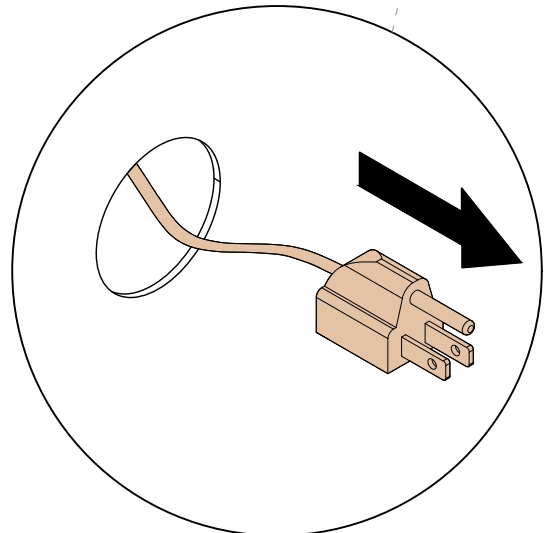
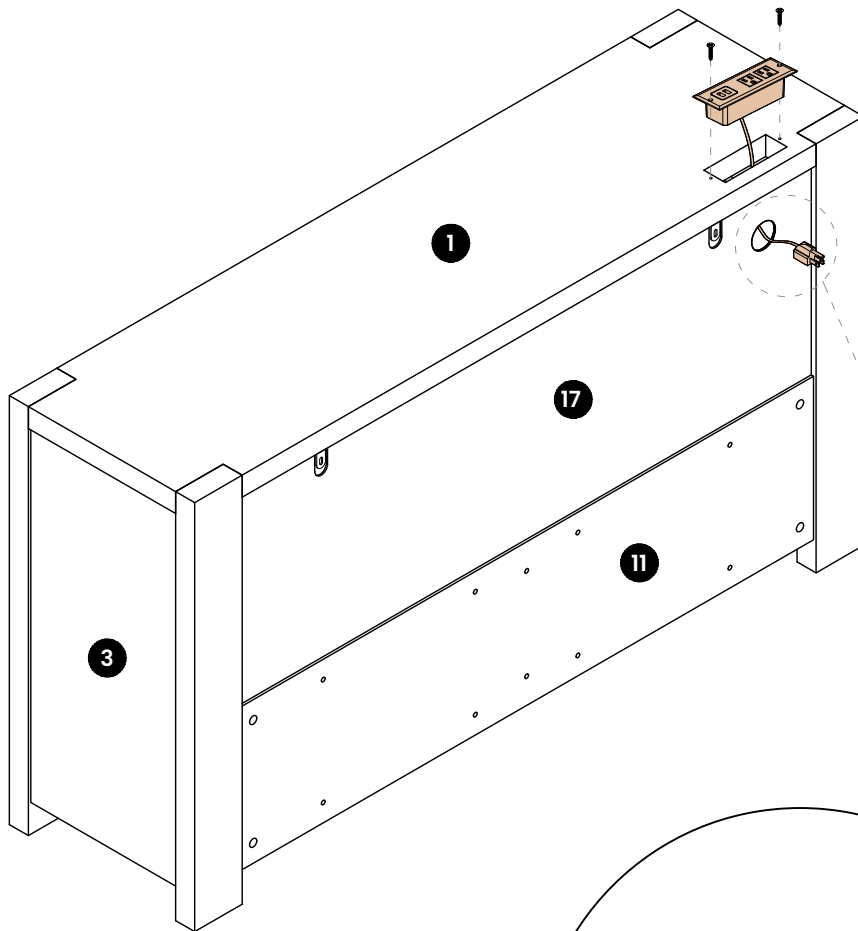
STEP 21



H X1



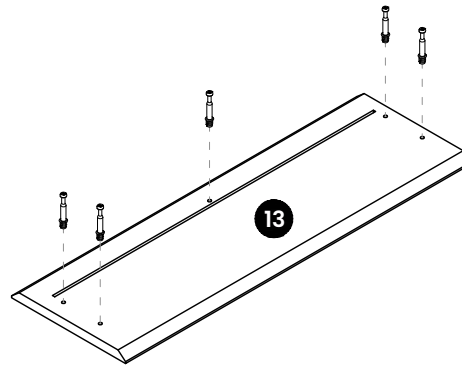
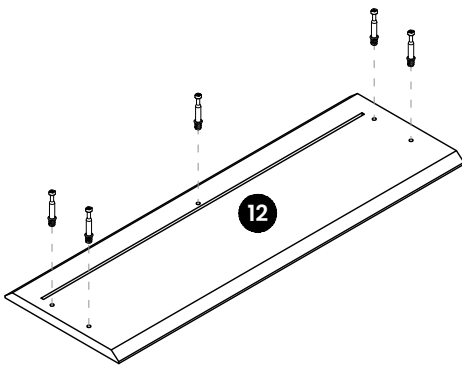
M X2



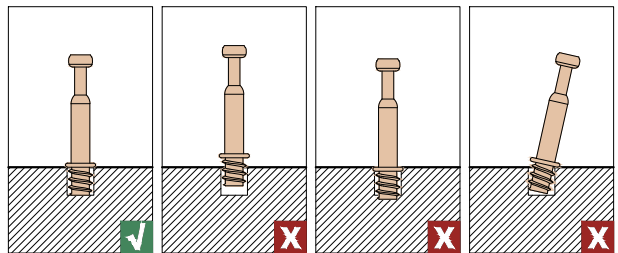
STEP 22



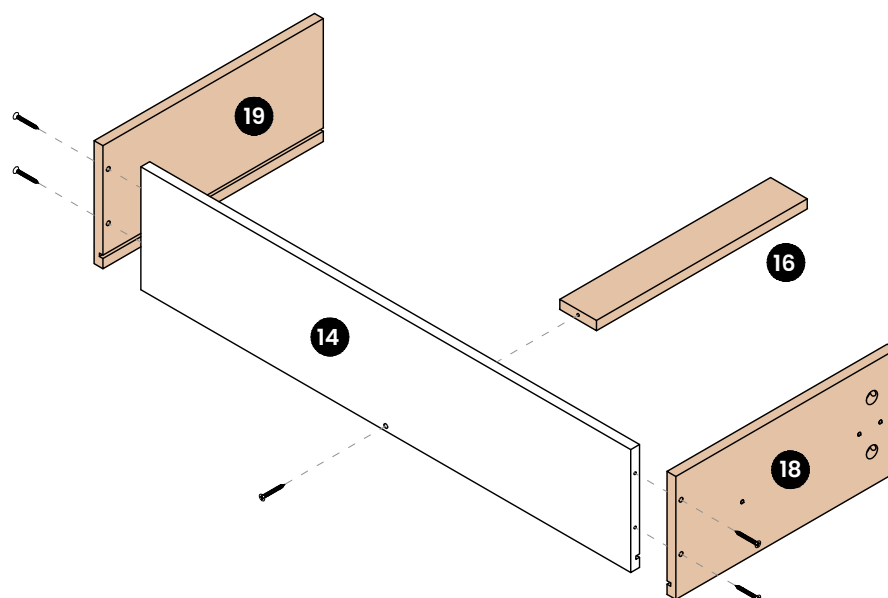
A X30



X3



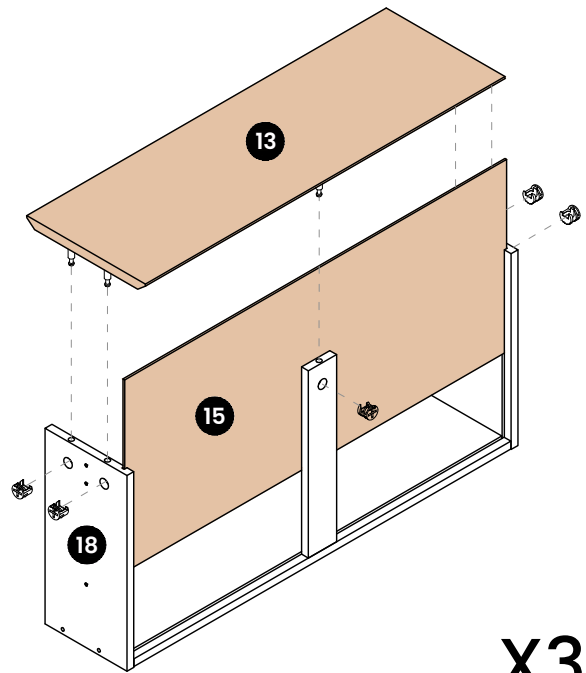
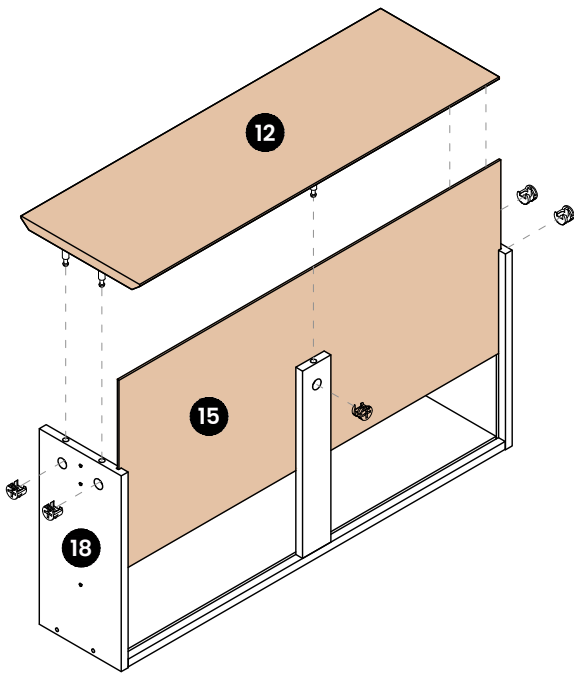
Install the screw correctly to secure the screw.

STEP 23**X6**

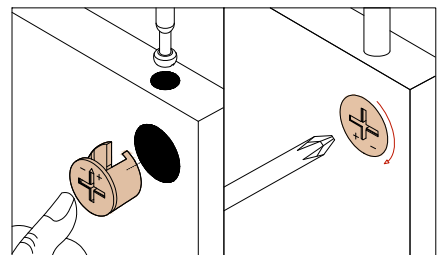
STEP 24



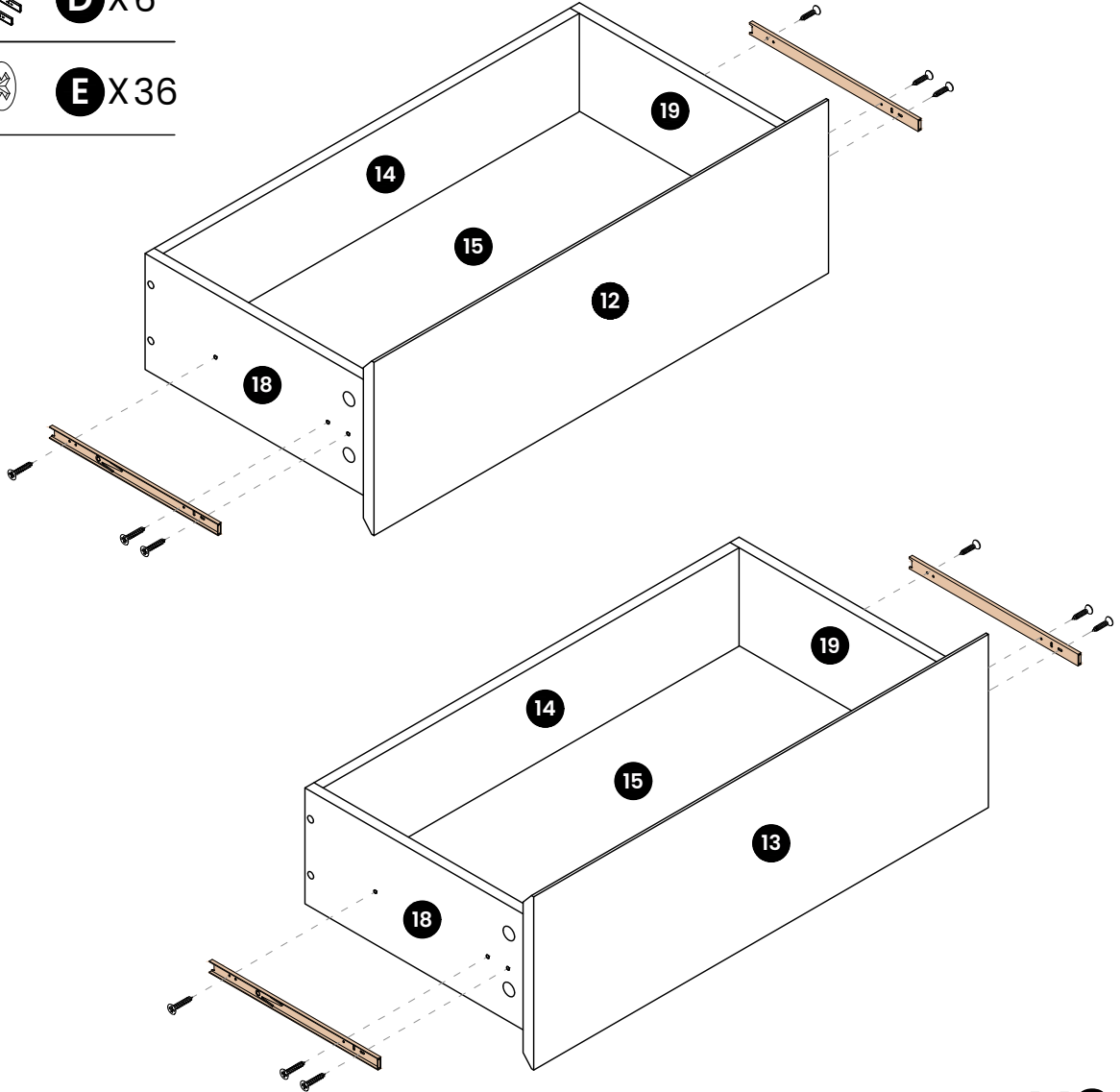
B X30



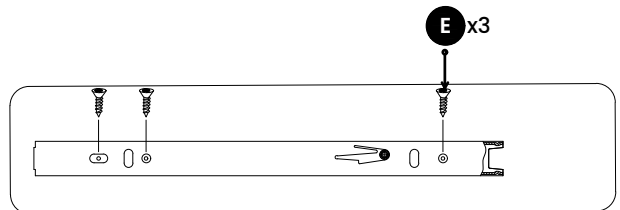
X3



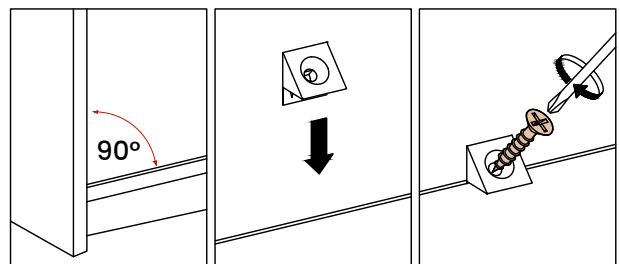
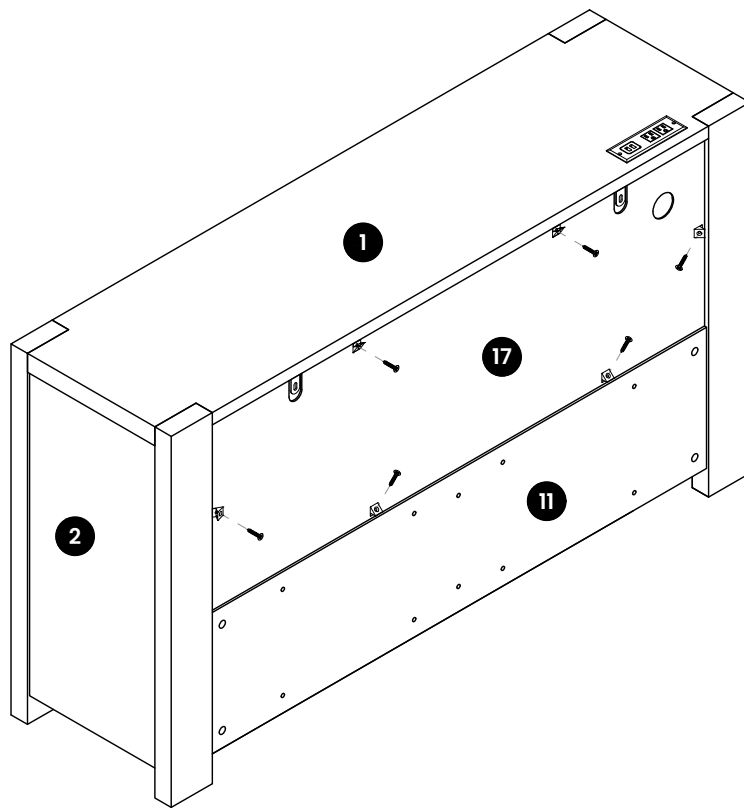
STEP 25



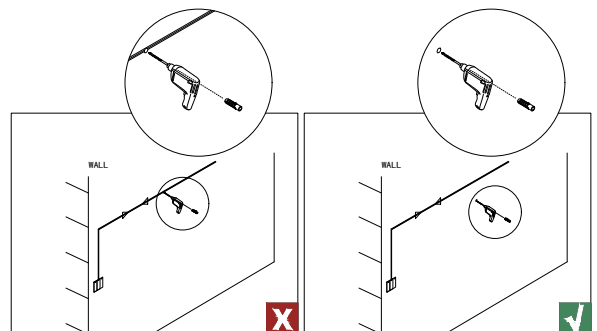
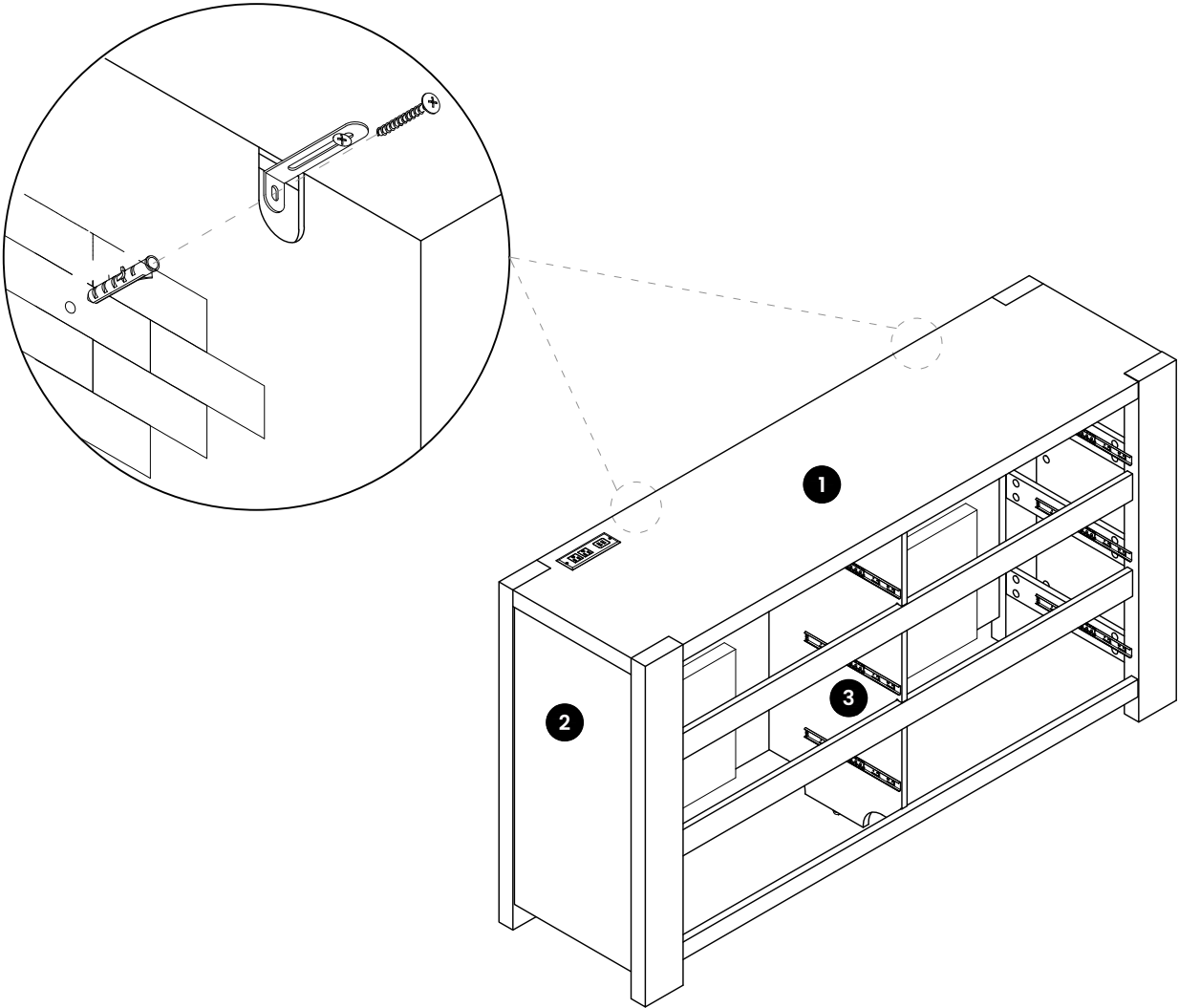
X3

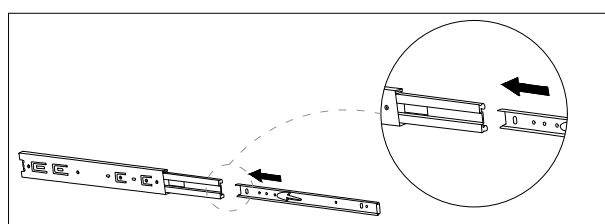
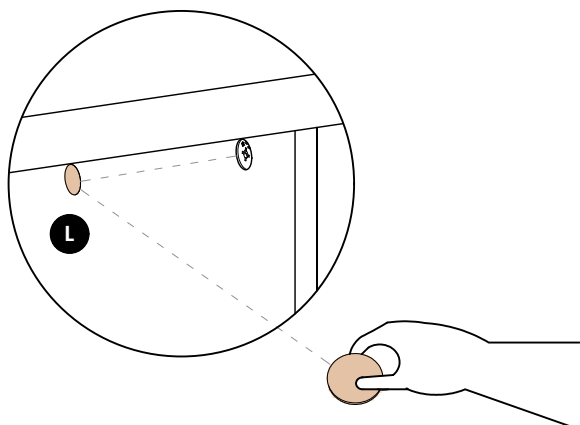
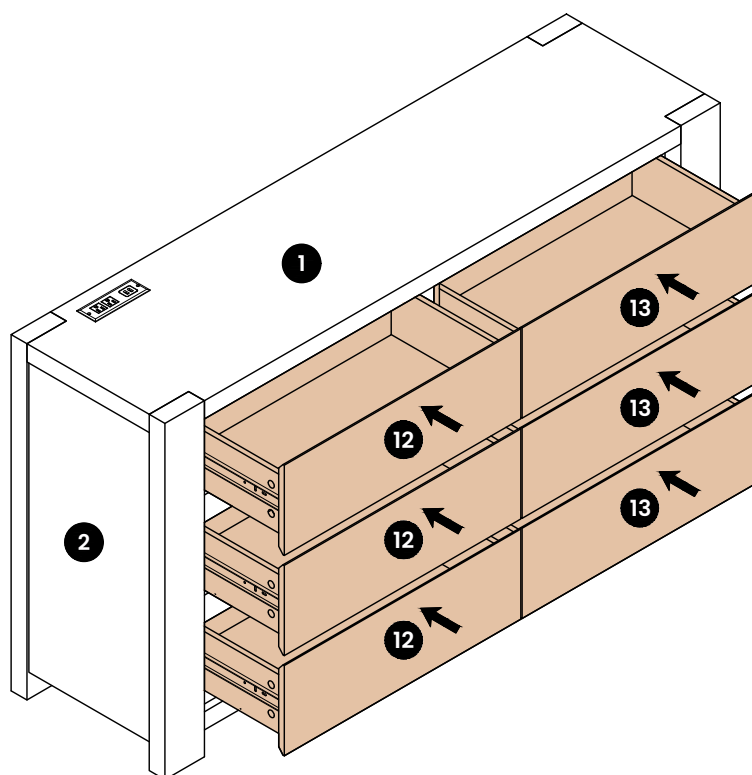


! Pay attention to the position of the screws

STEP 26**I** X6**J** X6

STEP 27



STEP 28**L** X 91



After-Sales Service Hotline: (800) 661-5928