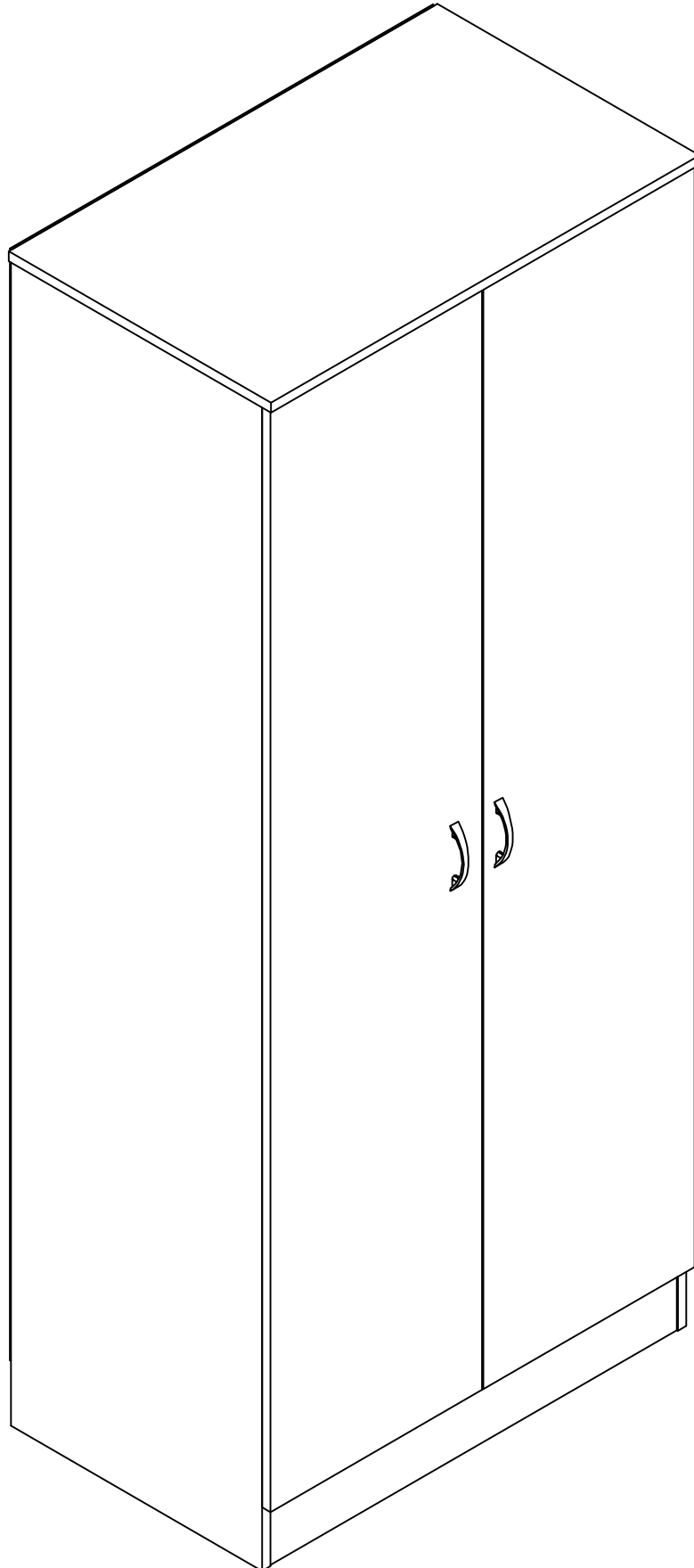


# 2 DOOR WARDROBE

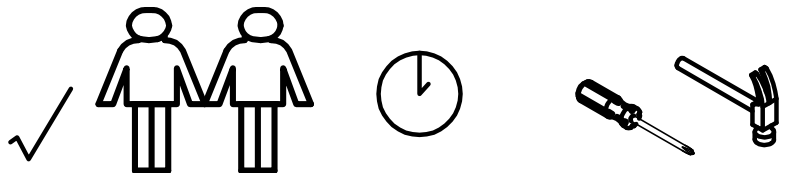
ASSEMBLY INSTRUCTION - Please Keep For Future Reference



# Safety and Care Advice

**IMPORTANT - Please Read This Instruction Carefully Before Assembly.**

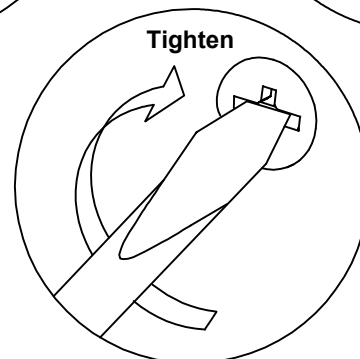
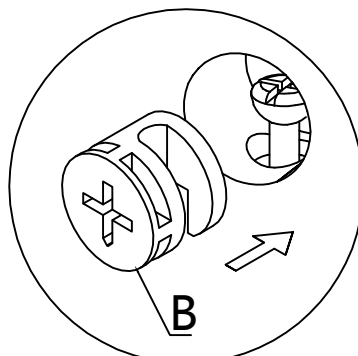
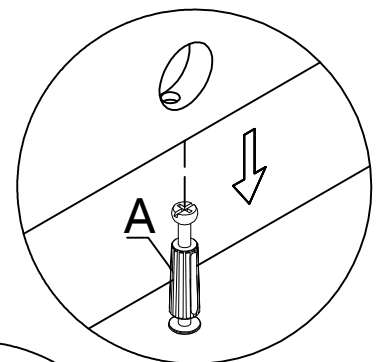
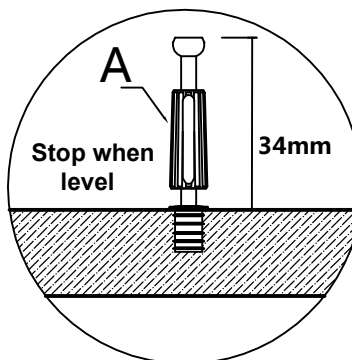
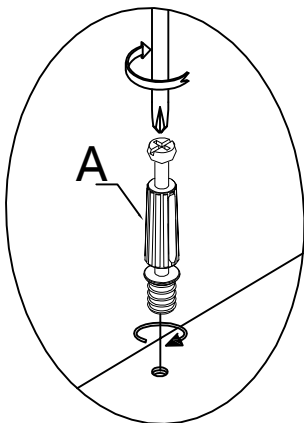
- Check you have all the components and tools listed on page 3.
- Do not stand or put weight on the product, this could cause damage.
- Do not use power drill/drivers for assembly, or the unit may be damaged.
- Remove all settings from the plastic bags and separate them into their groups.
- Assemble the item as close to it's intended position (in the same room) as possible.
- Assemble on a soft level surface to avoid damaging the unit.
- Dispose of all packaging carefully and responsibly.
- Keep children and animals away from the work area, small parts could choke if swallowed.
- Parts of the assembly will be easier with 2 people.
- Make sure you have enough space to layout the parts before assembly.



## CARE and MAINTENANCE

- Only clean using a damp cloth and mild detergent, do not use bleach or abrasive cleaners.
- From time to time check that there are no loose screws on this unit.
- This product should not be discarded with household waste. Take to your local authority waste disposal center.

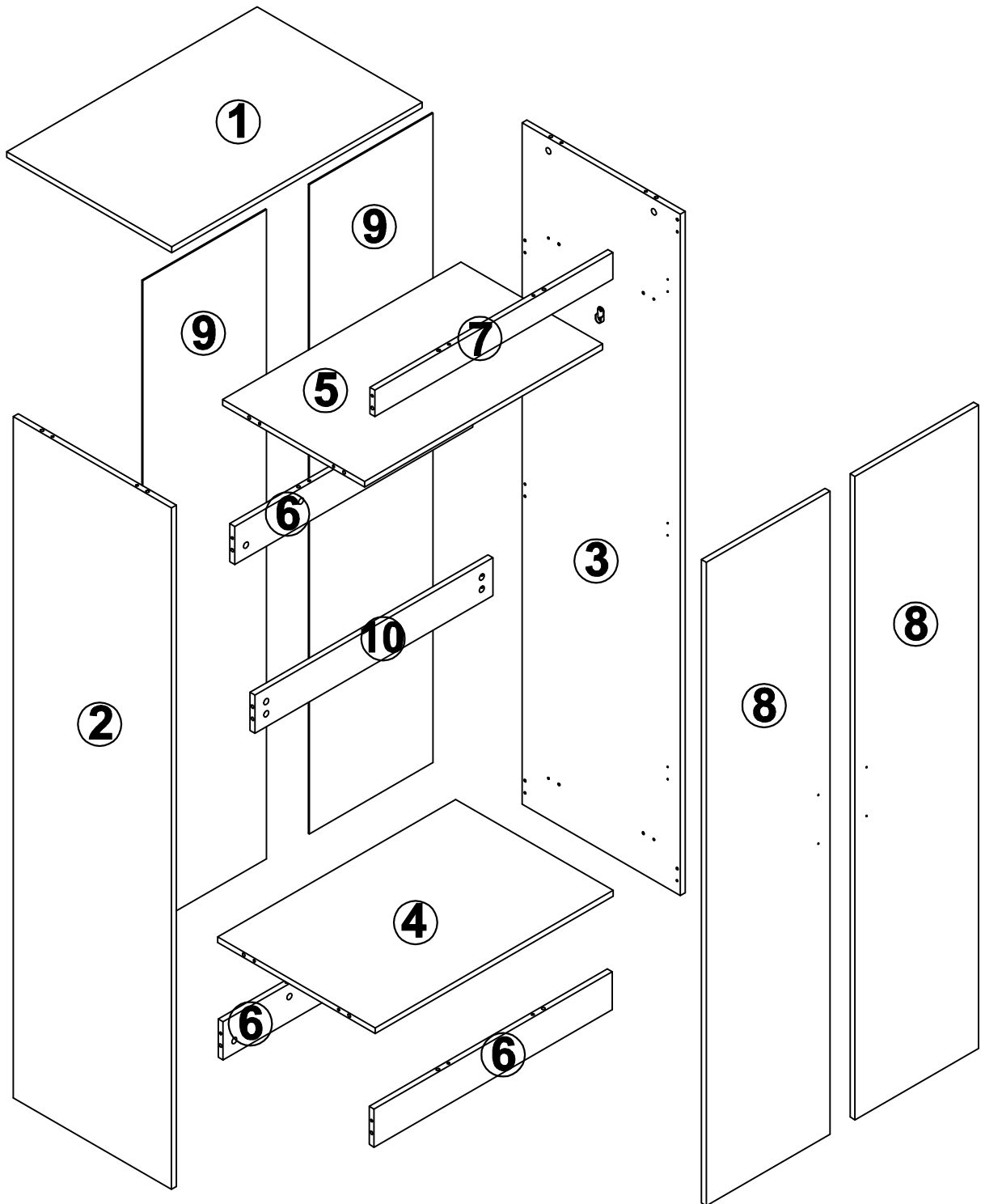
## General Hints & Tips



# Components and Tools

**IMPORTANT - Please Check If You Have All The Components and Tools.**

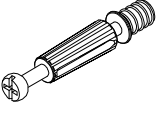
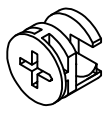
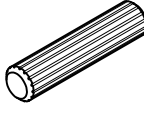

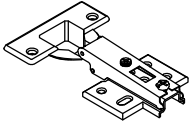





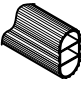
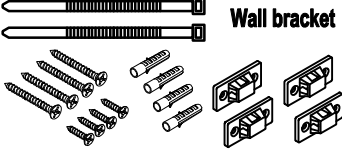
**Note: The quantities below are the correct amount to complete the assembly. In some cases more pieces may be supplied than are required.**



# Components and Tools

**IMPORTANT - Please Check If You Have All The Components and Tools.**

**Note: The quantities below are the correct amount to complete the assembly. In some cases more pieces may be supplied than are required.**

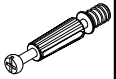
<p><b>A=32</b></p>  <p><b>Peg M6*34mm</b></p>	<p><b>B=32</b></p>  <p><b>Lock M15*12mm</b></p>	<p><b>C=28</b></p>  <p><b>Dowel M8*30mm</b></p>	<p><b>D=40</b></p>  <p><b>Screw M3.5*14mm</b></p>	<p><b>E=6</b></p>  <p><b>Full Overlay</b></p>	<p><b>F=4</b></p>  <p><b>Plastic Feet</b></p>
<p><b>G=28</b></p>  <p><b>Pin</b></p>	<p><b>H=4</b></p>  <p><b>Screw M4*18</b></p>	<p><b>I=2</b></p>  <p><b>Handles 64mm</b></p>	<p><b>J=2</b></p>  <p><b>Clothes Holder</b></p>	<p><b>K=1</b></p>  <p><b>Clothes Bar 716mm</b></p>	
<p><b>P=1</b></p>  <p><b>Wall bracket</b></p>					

# Assembly Instruction

## Step 1

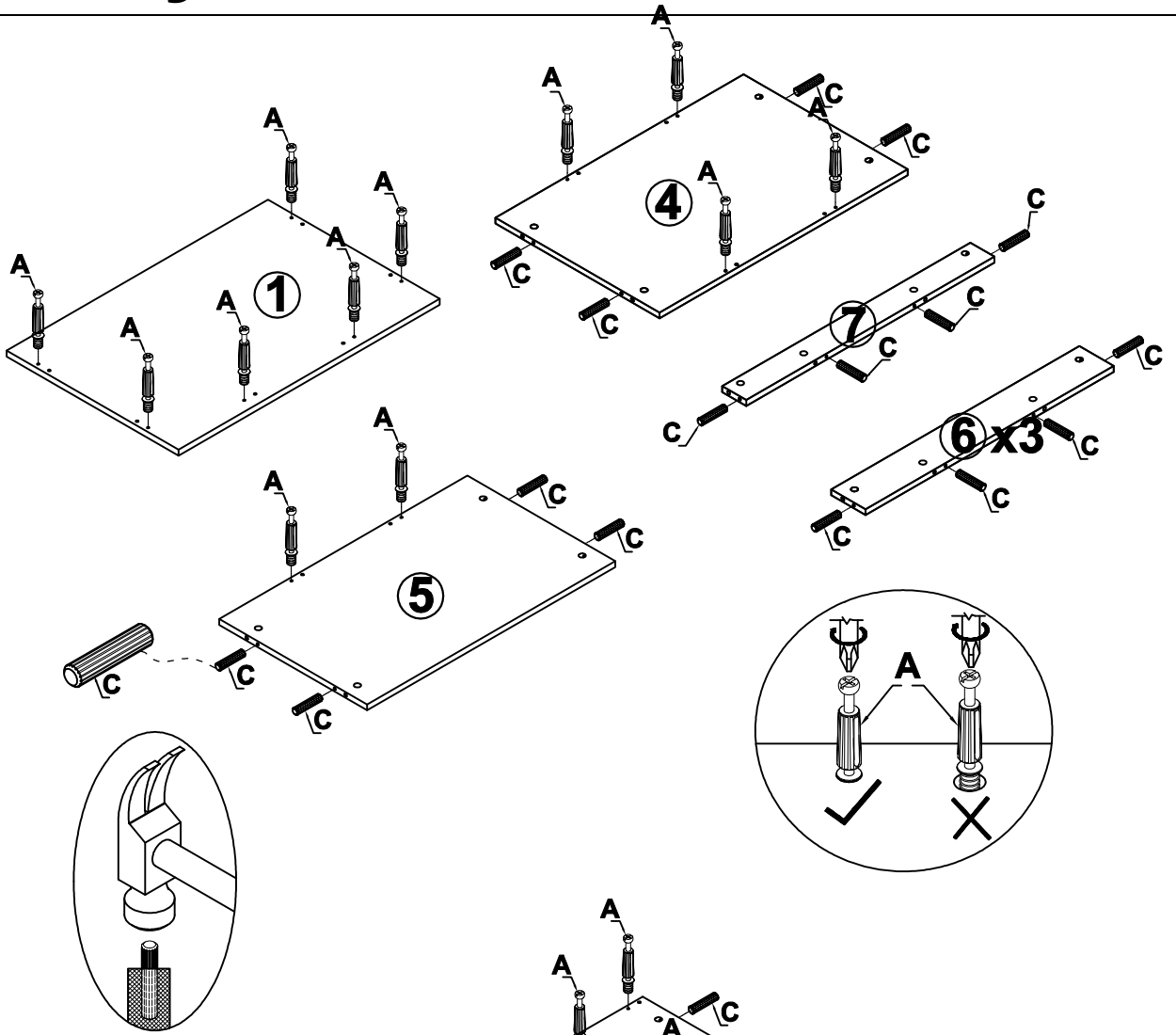
A=12

C=24



Peg

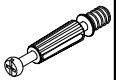
Dowel



## Step 2

A=20

C=4



Peg

Dowel

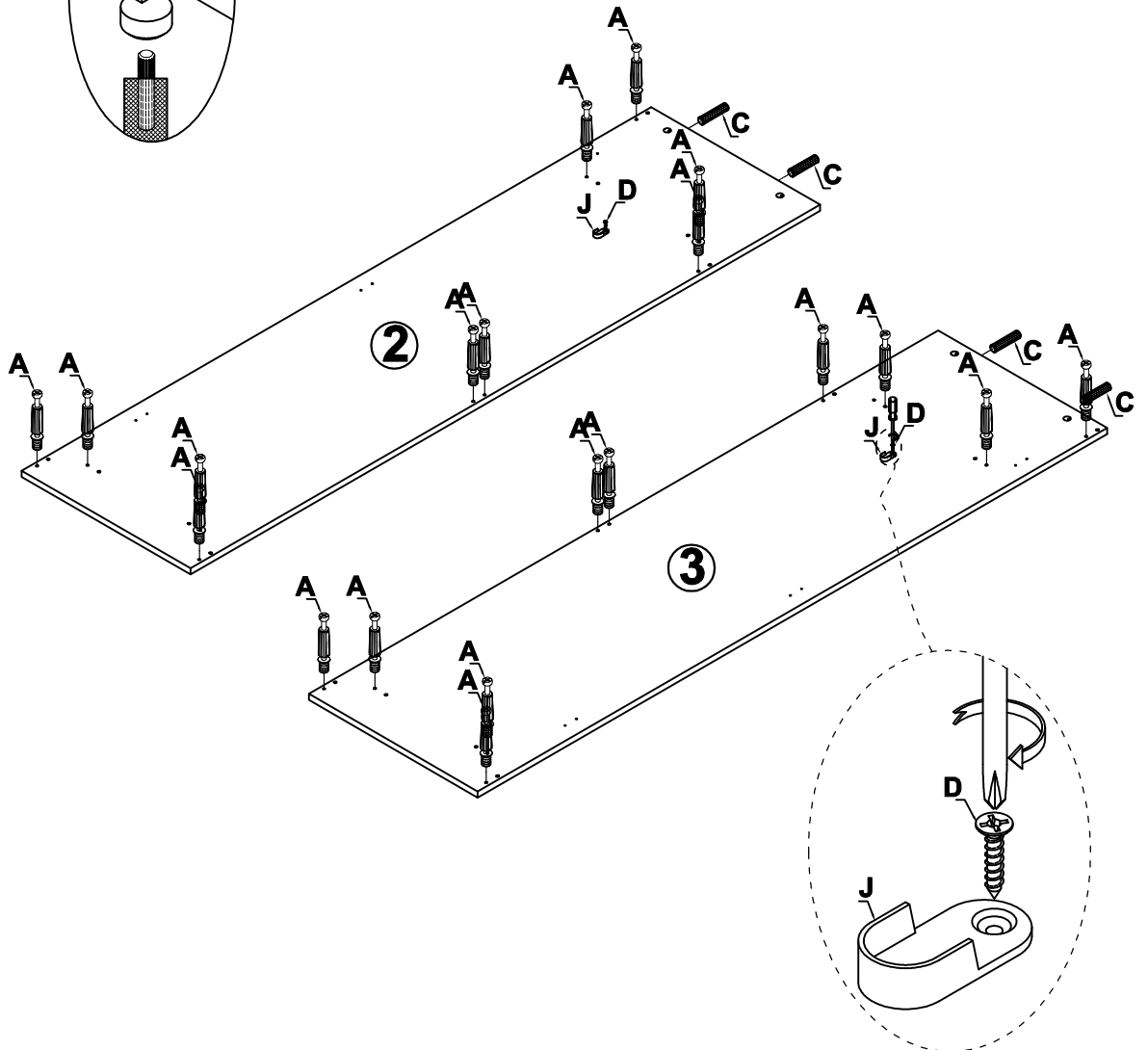
D=4

J=2



Screw

Clothes Holder

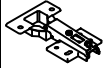


# Assembly Instruction

## Step 3

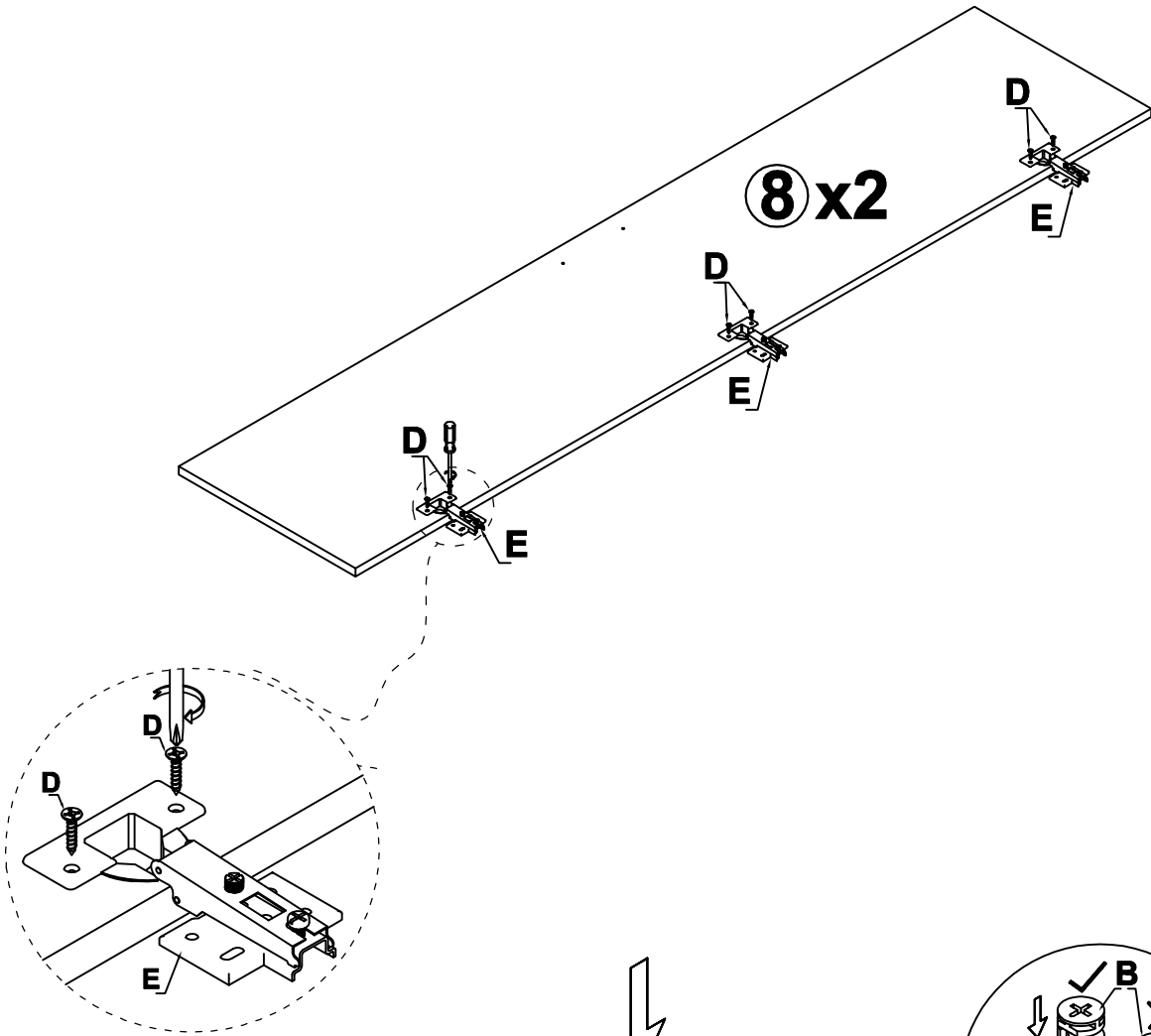
E=6

D=12



Full  
Overlay

Screw

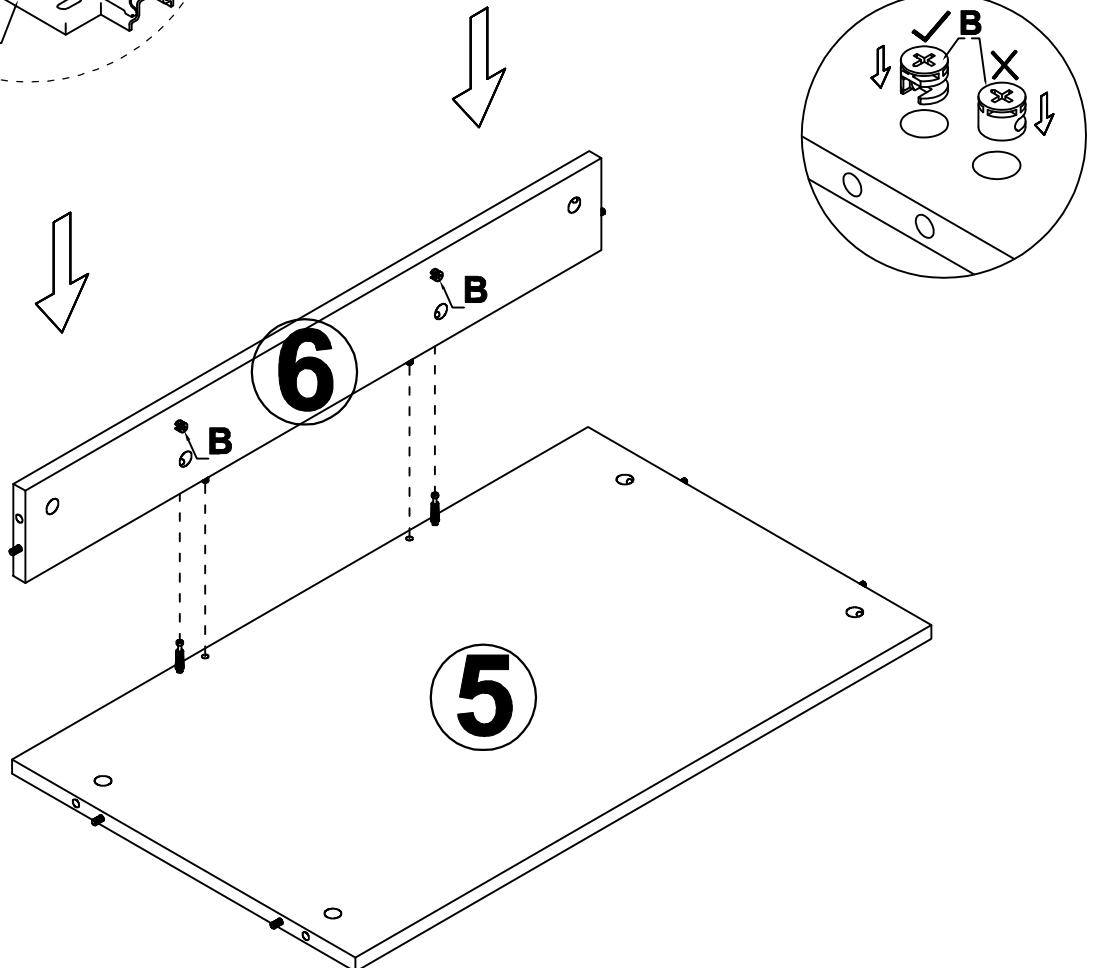


## Step 4

B=2



Lock  
M15\*12



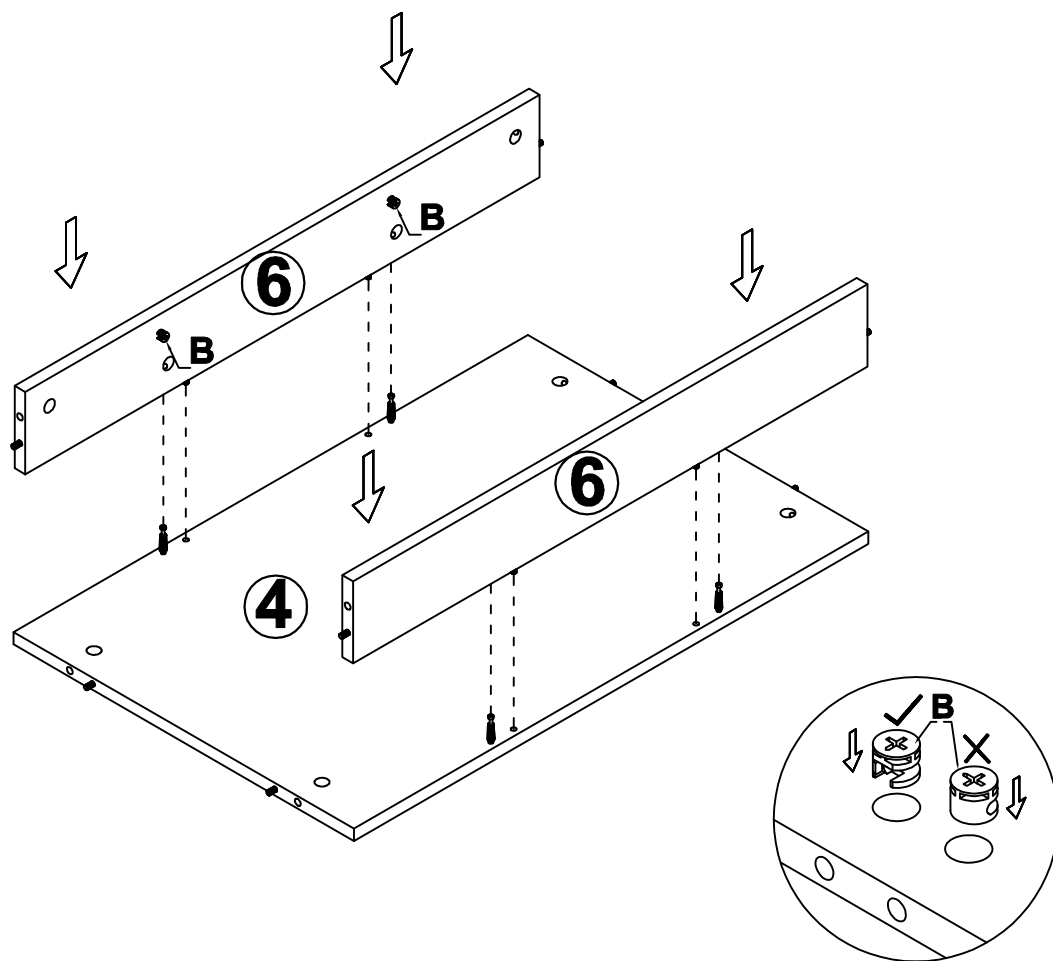
# Assembly Instruction

## Step 5

B=4



Lock  
M15\*12

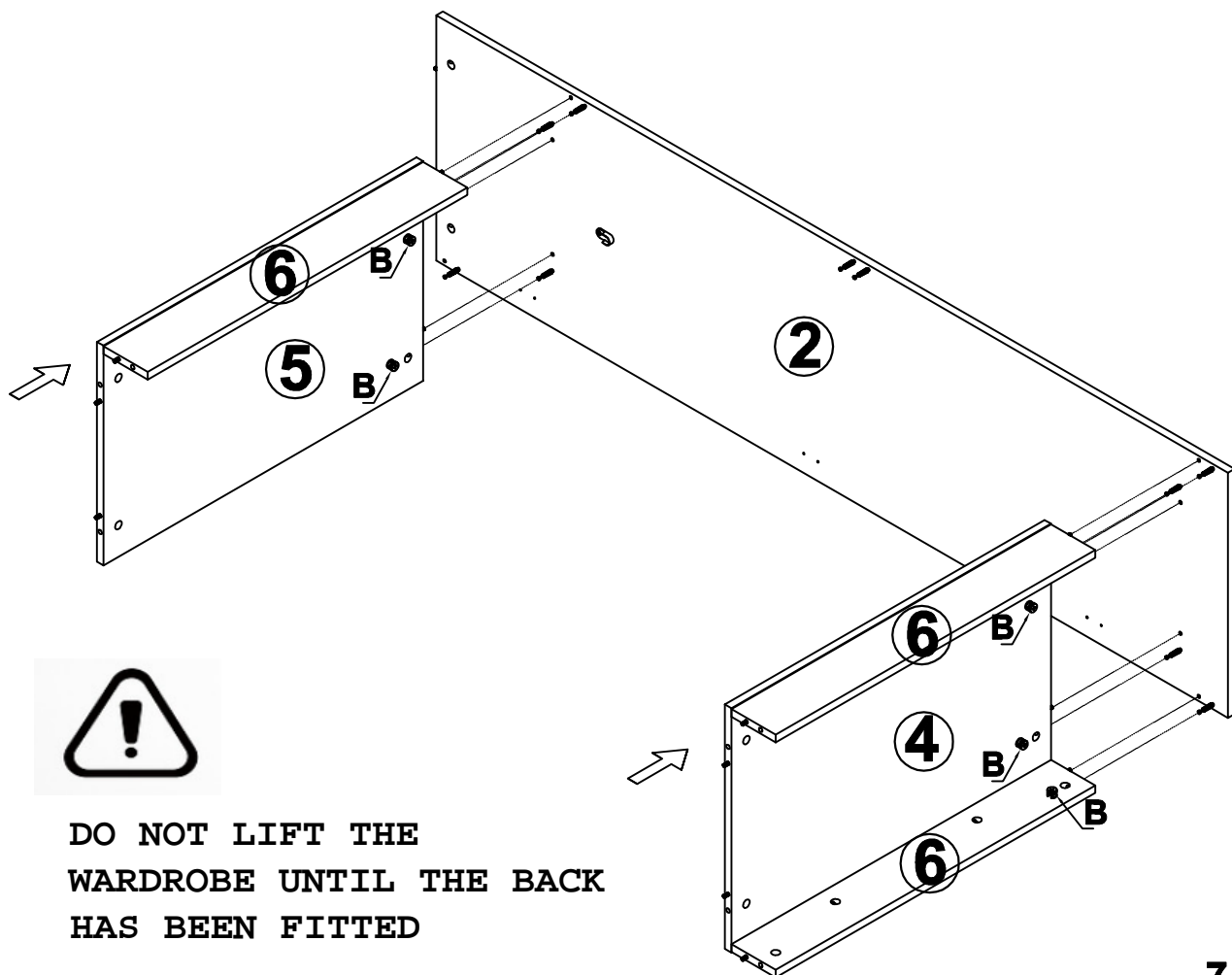


## Step 6

B=7



Lock  
M15\*12



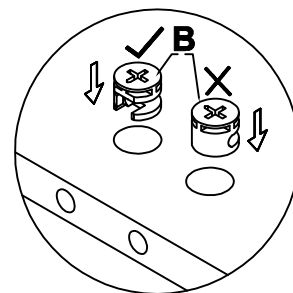
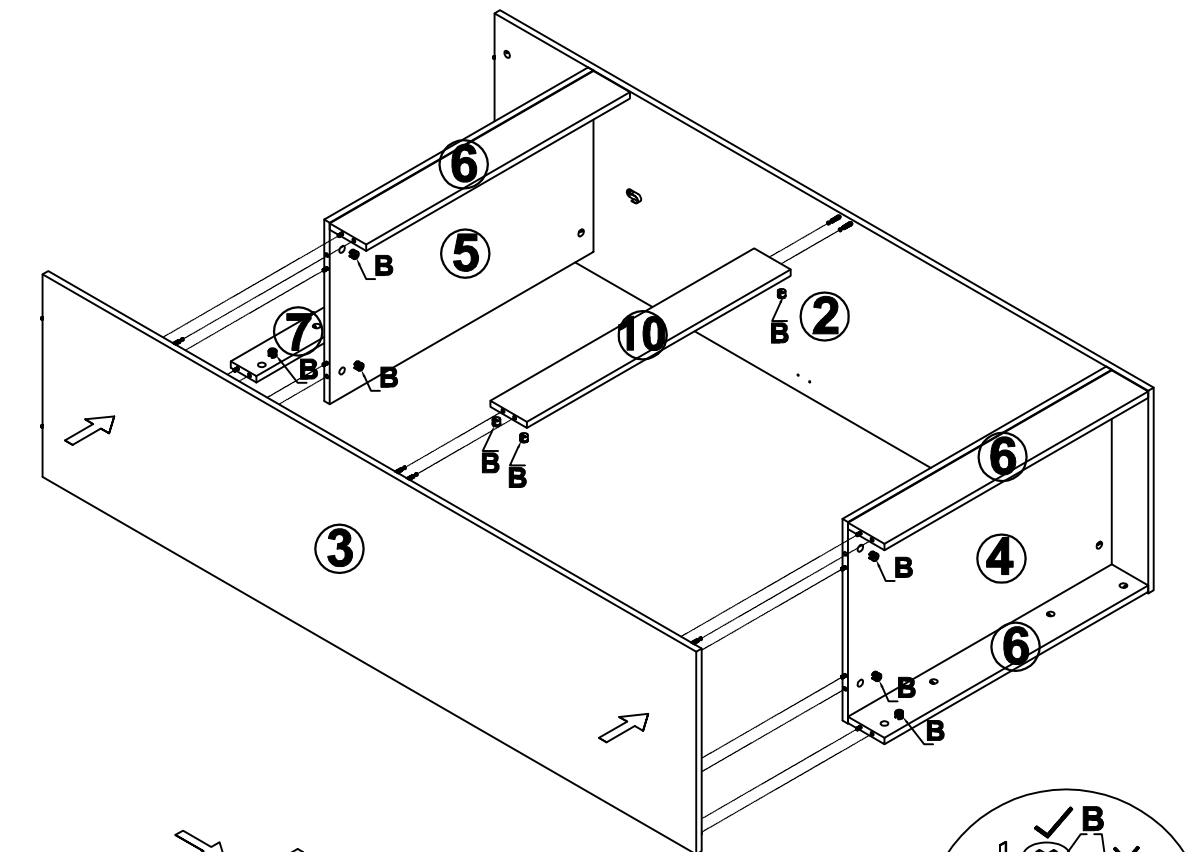
# Assembly Instruction

## Step 7

B=13



Lock  
M15\*12



## Step 8

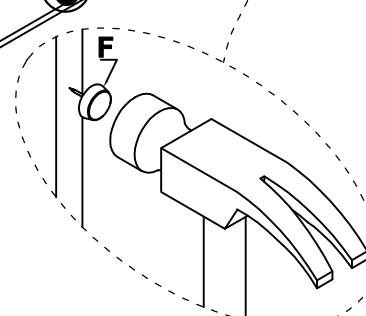
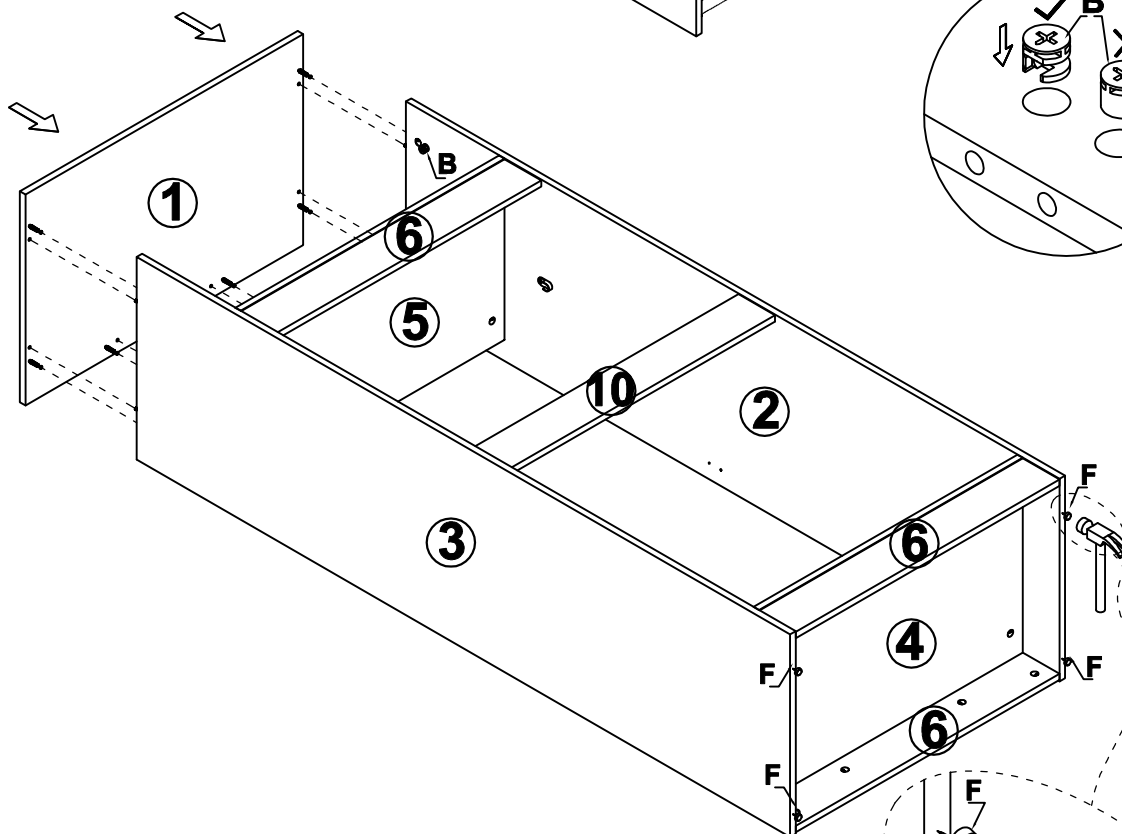
B=6

F=4



Lock  
M15\*12

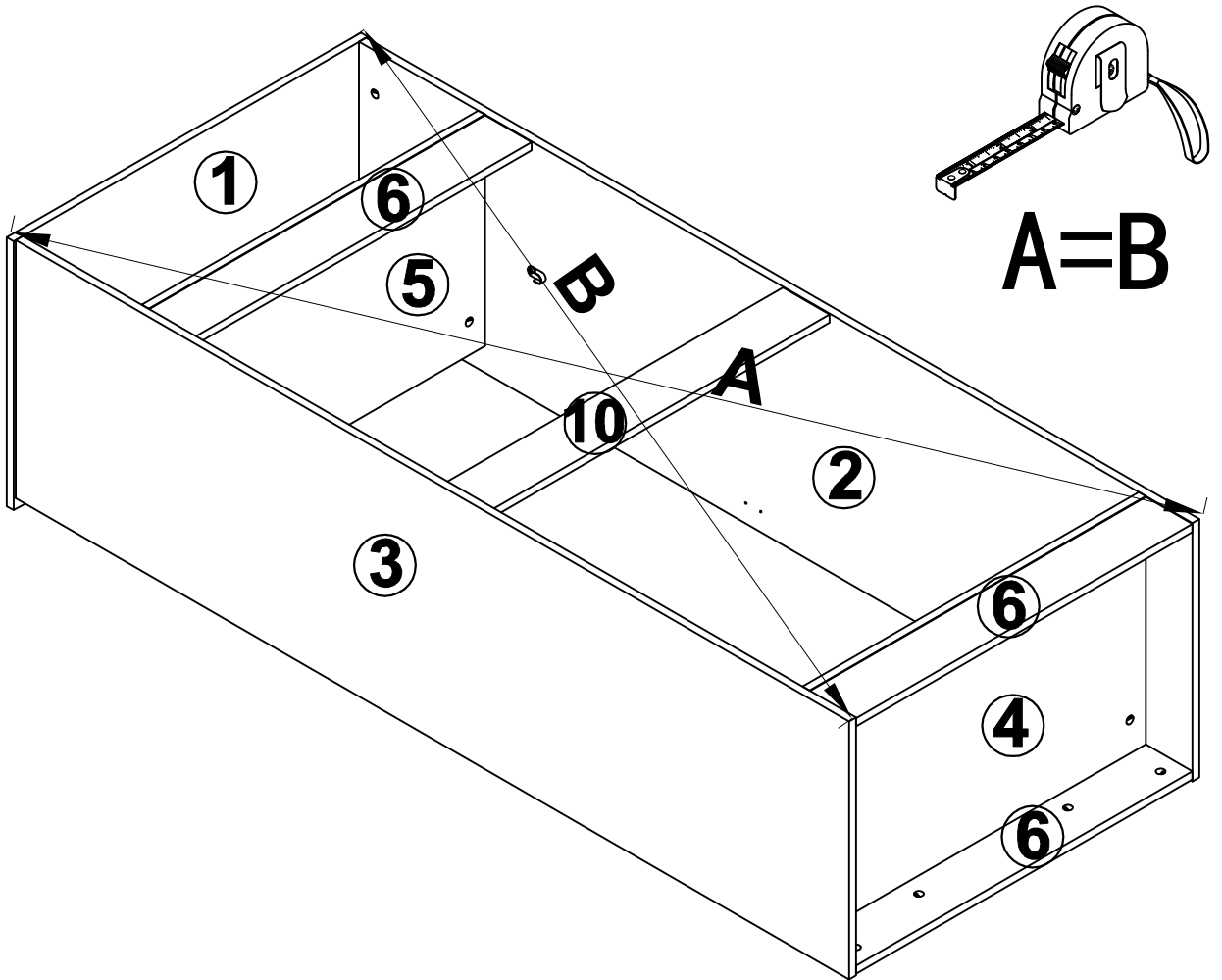
Plastic  
Feet



DO NOT LIFT THE  
WARDROBE UNTIL THE BACK  
HAS BEEN FITTED

# Assembly Instruction

## Step 9

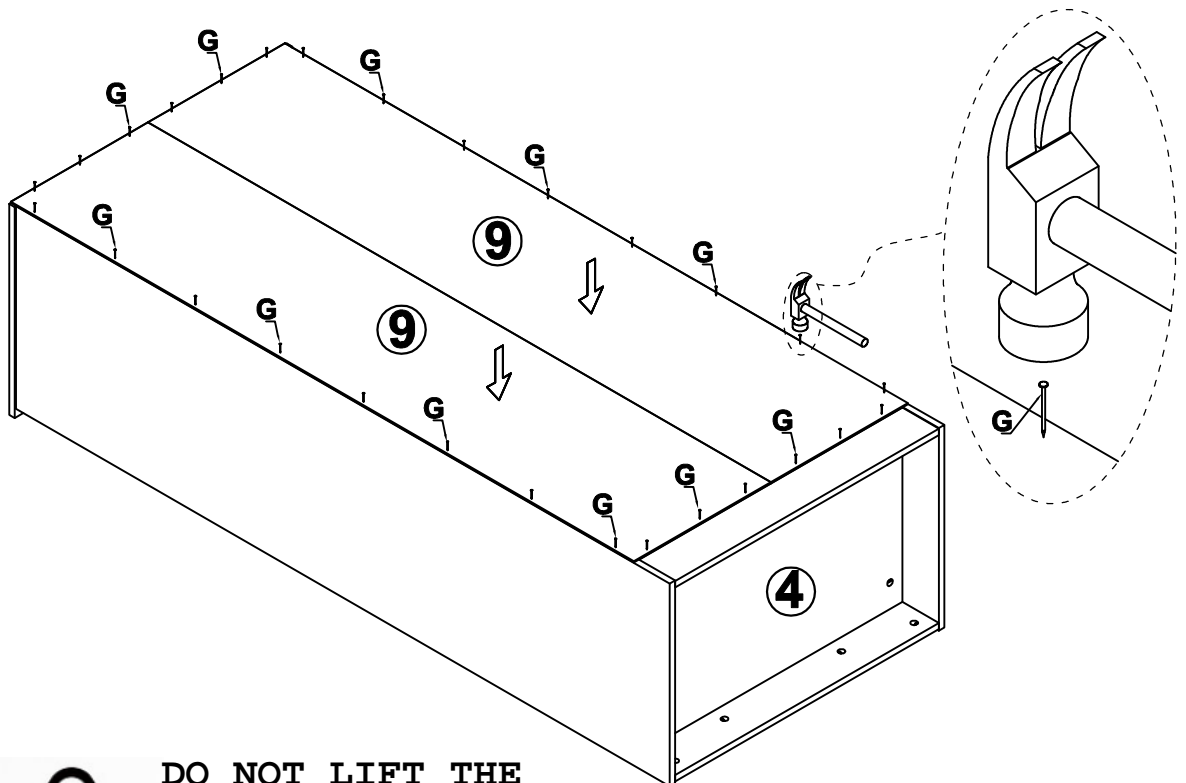


## Step 10

G=28



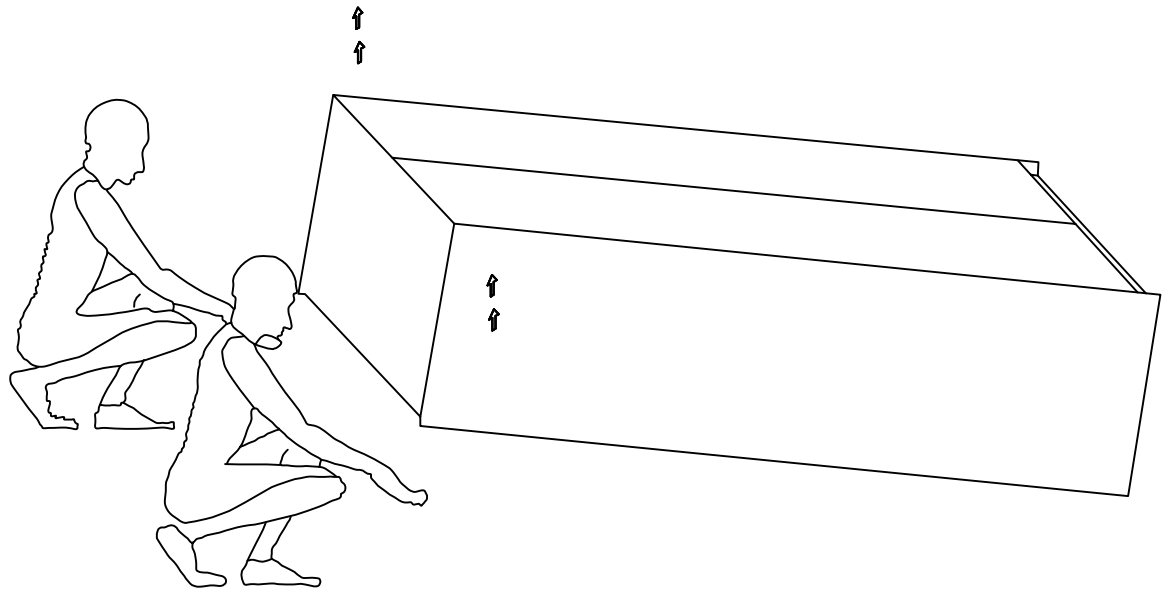
Pin



DO NOT LIFT THE  
WARDROBE UNTIL THE BACK  
HAS BEEN FITTED

# Assembly Instruction

## Step 11



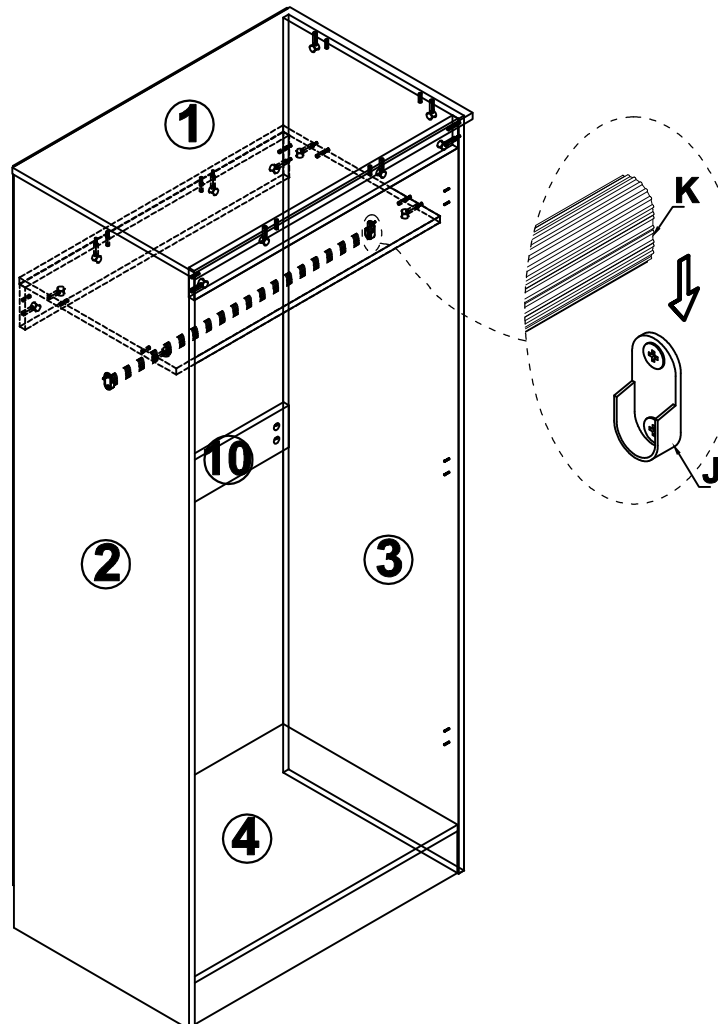
MAKE SURE TO LIFT UP  
WARDROBE FROM THE TOP PANEL SIDE

## Step 12

K=1



Clothes  
Bar  
716mm



# Assembly Instruction

## Step 13

H=4

I=2



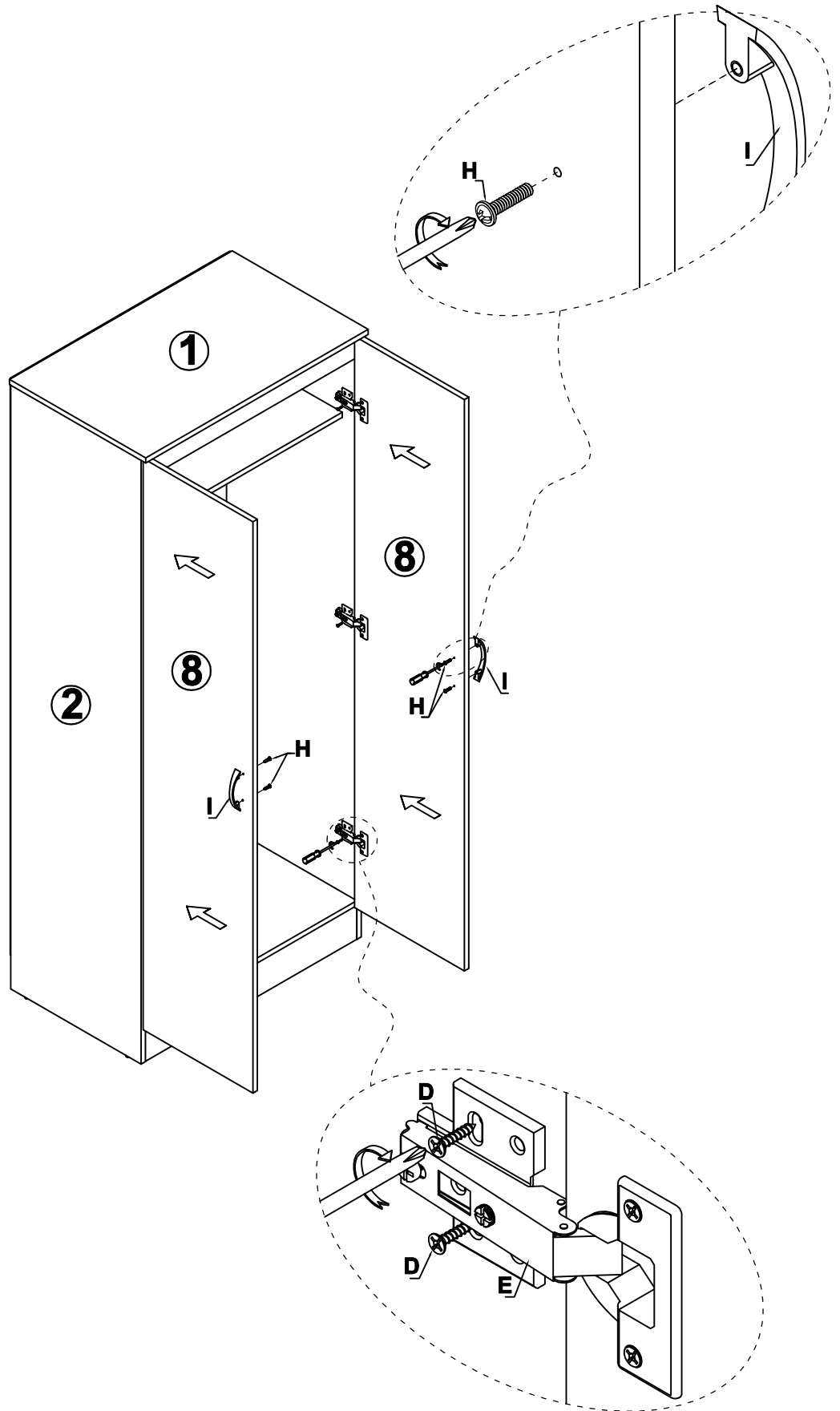
Screw  
M4\*18

Handles  
64mm

D=12

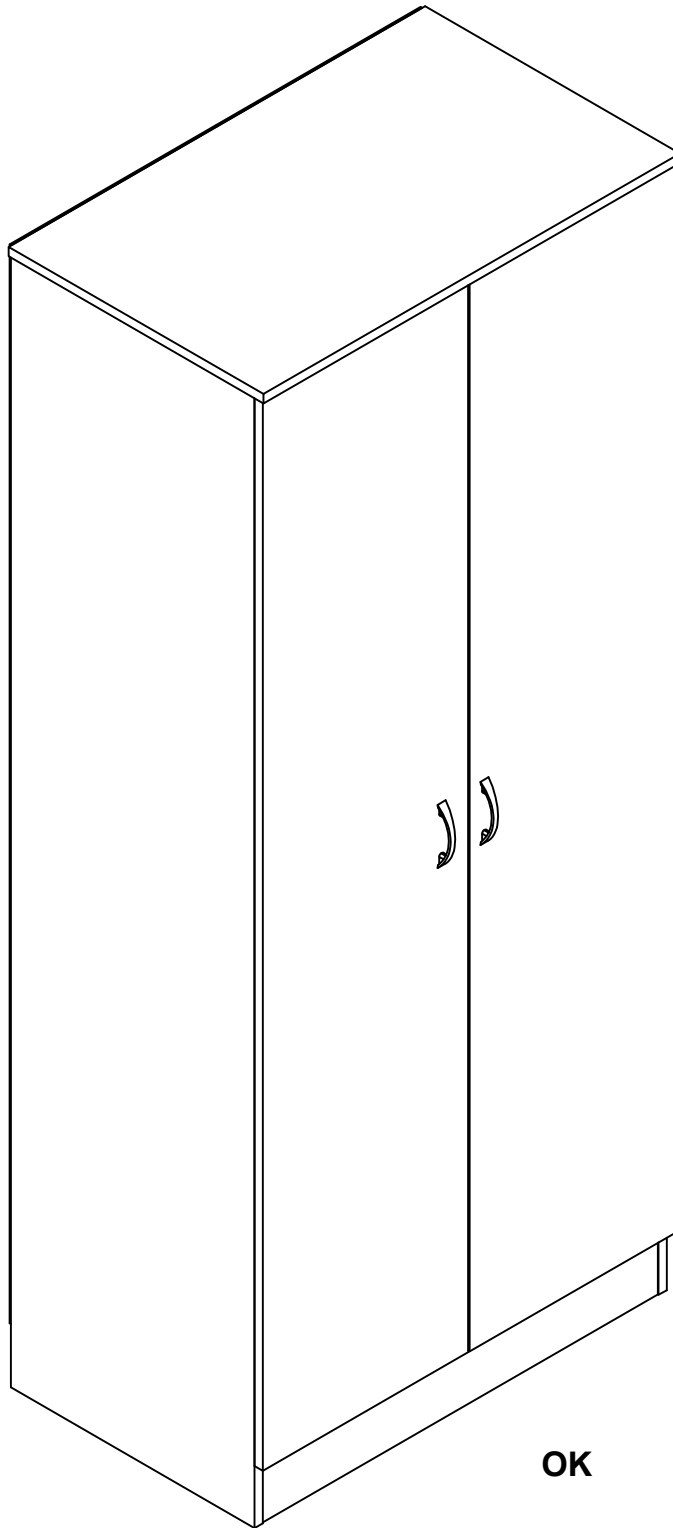


Screw



# Assembly Instruction

Step 14



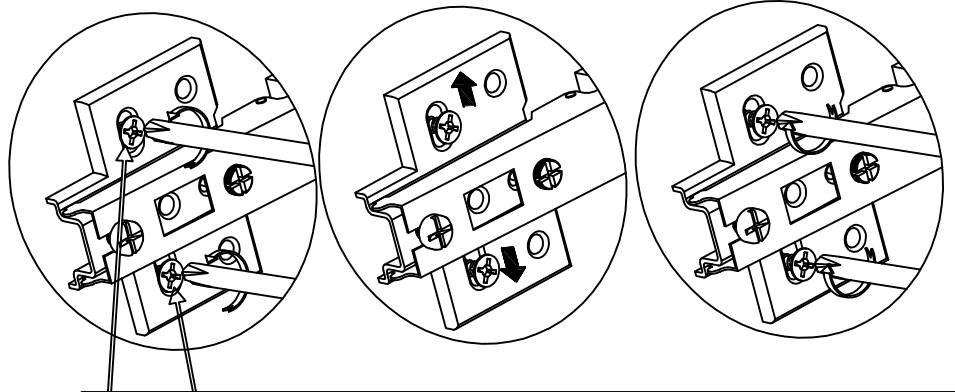
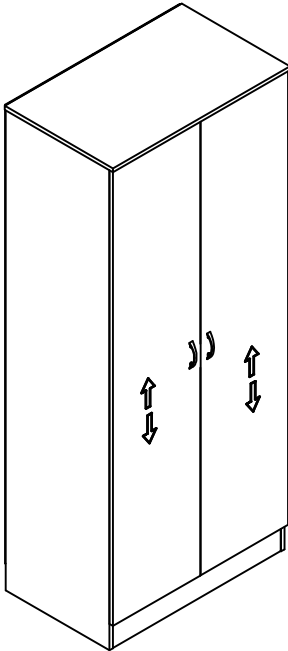
OK

# STEP 15



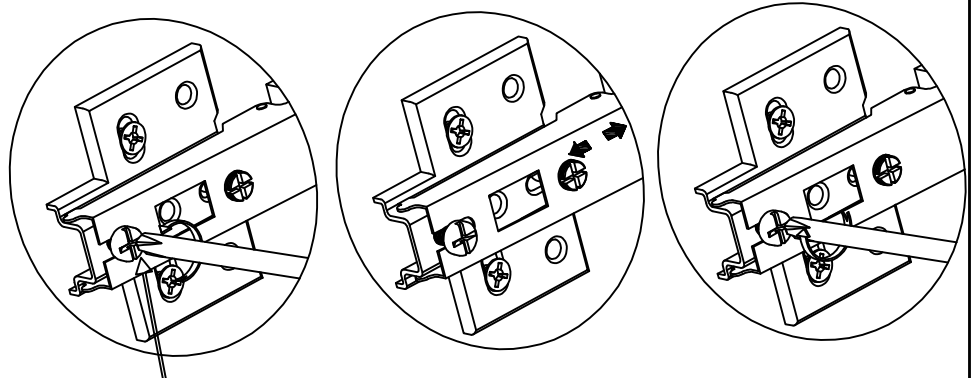
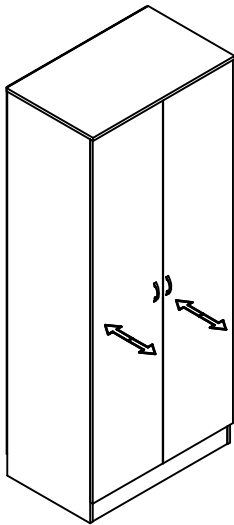
## Customer Attention:

To align doors and control gap in between doors.  
Product doors may need adjusting during  
and after assembly.  
This can be done by adjusting appropriate screws.  
See below illustration.



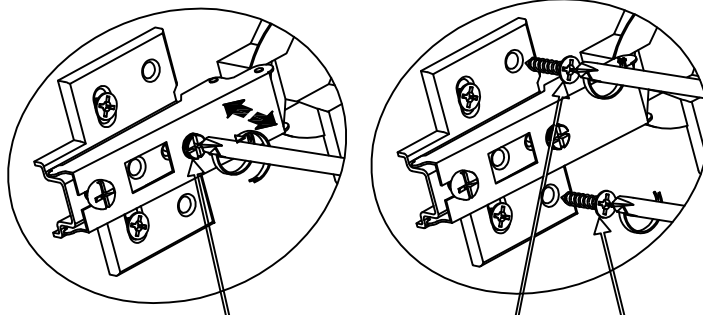
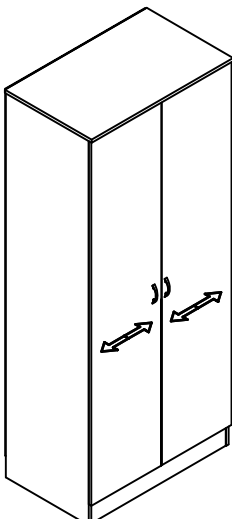
### Vertical door adjustment:

Loosen both screws on all hinges and lift the door to the desired height.  
This allows an even space at the top and bottom between the door and frame



### Lateral Door Adjustment:

If door is hinge bound, (rubbing on frame as you close or open door) loosening screw shown and move the door in appropriate direction. (In or out)



D  12PCS

### Horizontal Door Adjustment:

Rotate Screw clock wise or anti clock wise. This will produce an even gap between doors and frame.

after adjusting, you find the doors are in alignment, you can fasten that hinge with 2 screws

P=1

