



Furniture of America®

Assembly Instructions

For more information contact our team: service.ec@foagroup.com

CM7160F/Q-VN



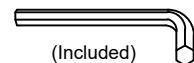
ASSEMBLY RATING

The Assembly Rating is a 5-point system that shows the degree of effort needed in assembling a specific product (with 1 being easy and 5 being difficult). For some products, two persons are recommended.

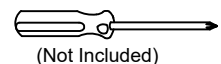
EASY  DIFFICULT

Tools Required For Assembly:

Allen Wrench



Phillips Screwdriver

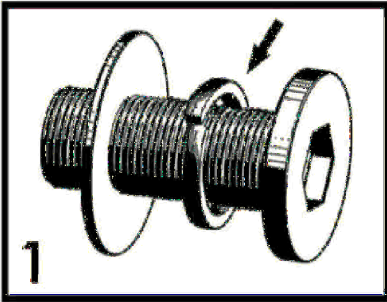


2 PERSONS RECOMMENDED

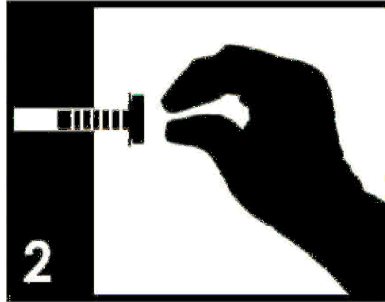
ASSEMBLY & CARE ADVICE

FOR YOUR FURNITURE TO LAST, CORRECT ASSEMBLY AND PROPER MAINTENANCE ARE NECESSARY. PLEASE FOLLOW THE INFORMATION PROVIDED BELOW TO FULLY ENJOY YOUR FURNITURE.

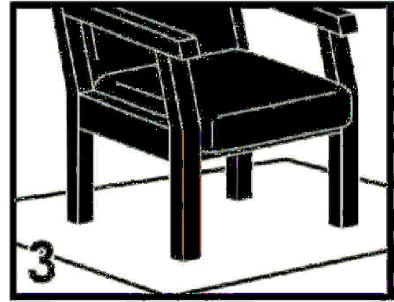
BASIC ASSEMBLY TECHNIQUES



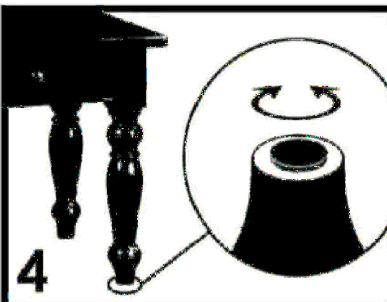
1
When lock or spring washer is used in an assembly, please make sure the lock or spring washer is placed between the larger flat washer and the head of the screw or bolt.



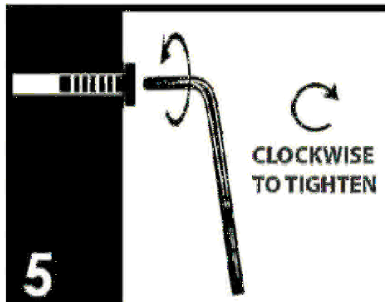
2
Position each part correctly and insert screws or bolts into their respective holes by hand tighten or using the proper hand tool. Only tighten when step is completed or when instructed to do so.



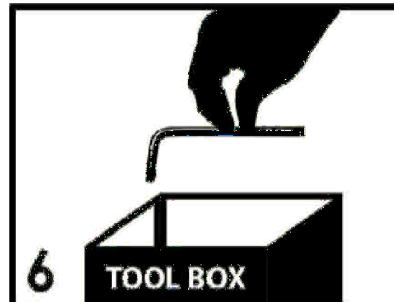
3
Use cardboard or carpet area when assembling furniture to prevent scratches. Make sure the furniture rests on a flat and level surface with each leg evenly touching the floor. No dragging of products/parts.



4
Some furniture comes with height adjustment knobs underneath each leg. To lower or to raise each leg, you need to turn clockwise or counterclockwise, respectively.



5
Make sure all parts are properly aligned, then use the appropriate hand tool to completely tighten the bolts or screws. Do not use power tools and do not overtighten.

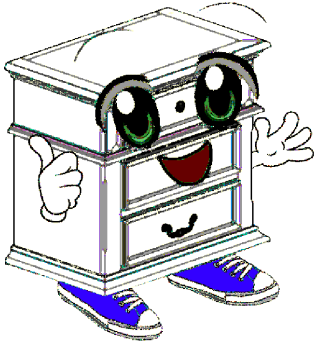


6
Save the instructions and store the Allen wrench or any supplied tool for later maintenance. After two weeks, check and tighten any loose hardware and repeat again every six months thereafter.

IT IS THE USER'S RESPONSIBILITY TO MAINTAIN THE FURNITURE. THE HARDWARE MAY LOOSEN OVER TIME AND MAY CAUSE THE FURNITURE TO BE WOBBLY AND UNABLE TO SUPPORT ITS INTENDED WEIGHT CAPACITY. THIS MAY LEAD TO COLLAPSE AND MAY CAUSE SERIOUS INJURY.



FAILURE TO FOLLOW THE GUIDELINES ABOVE MAY RESULT IN INJURY AND/OR PROPERTY DAMAGE.

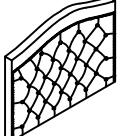
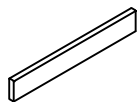




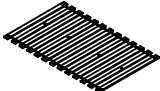












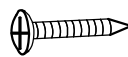
Before you begin, please read Page 2 of "Assembly and Care Advice".

And remember, do not tighten until each step is completed or instructed.

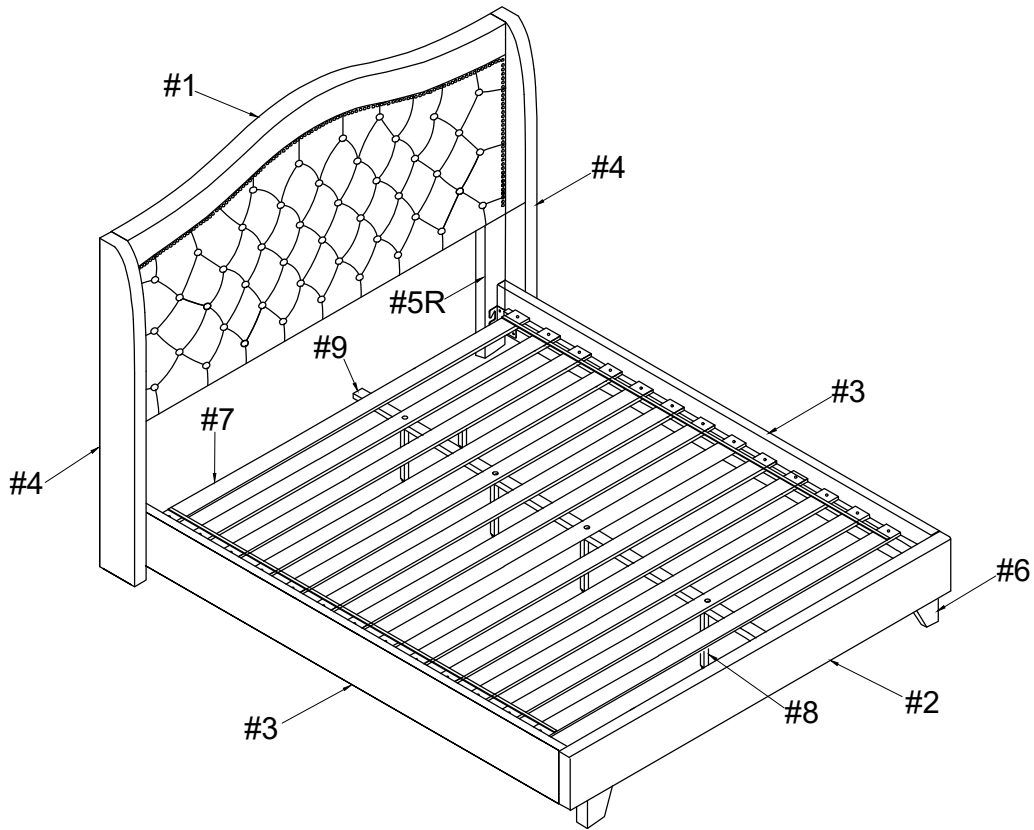
Parts List

Hardware List

	#1 x 1pc Headboard
	#2 x 1pc Footboard
	#3 x 2pcs Side Rail
	#4 x 2pcs Wings
	#5 x 2pcs (L & R) HB Leg
	#6 x 2pcs FB Feet
	#7 x 1set Slat (13pcs)
	#8 x 4pcs Ø5/16" Support Leg 225x30x30mm
	#9 x 1pc Support Rail

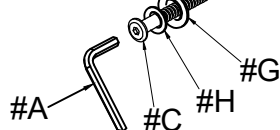
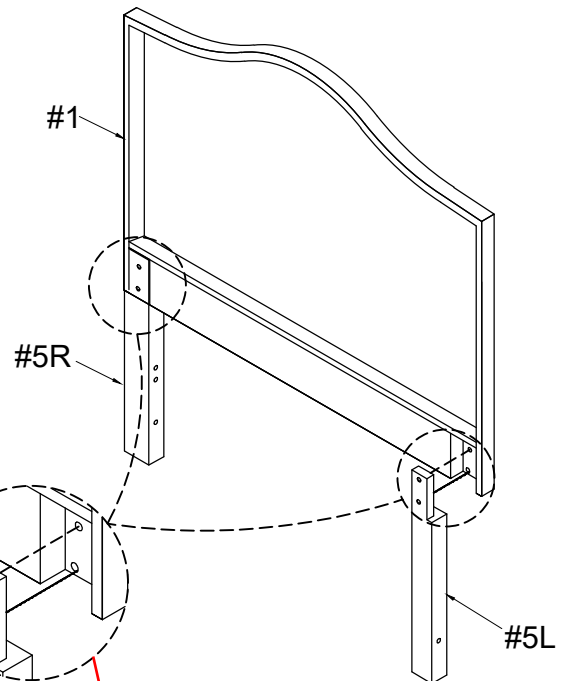
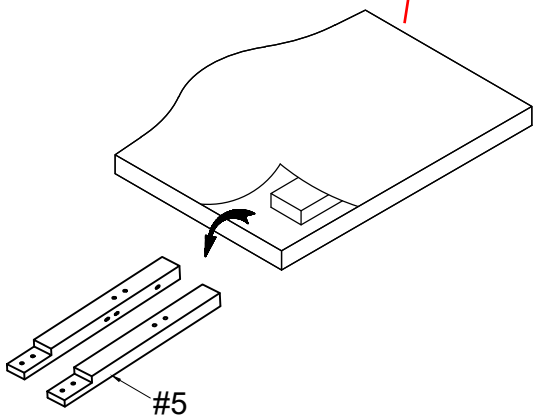
	#A x 1pc Allen Key 5mm
	#B x 4pcs Bolt Ø5/16" x 1-1/2"
	#C x 8pcs Bolt Ø5/16" x 2"
	#D x 6pcs Bolt Ø5/16" x 2-1/2"
	#E x 2pcs Bolt Ø5/16" x 4"
	#F x 10pcs Flat Washer Ø5/16"x19mm
	#G x 10pcs Flat Washer Ø5/16"x22mm
	#H x 20pcs Spring Washer Ø5/16"
	#I x 26pcs Screw #8 x 38mm

Exploded View



#C x 4pcs
#H x 4pcs
#G x 4pcs

Remove HB legs (#5) from the back compartment of the headboard (#1).

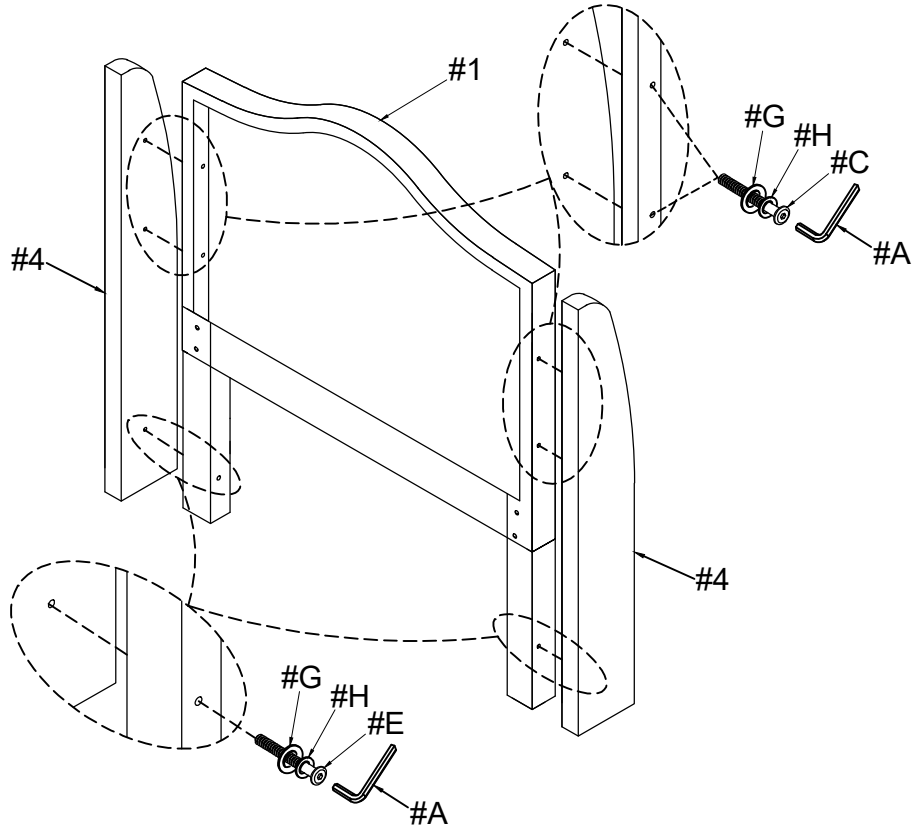


Align HB legs (#5R/L) to the headboard (#1), then secure by using bolts (#C) with washers (#H,G).



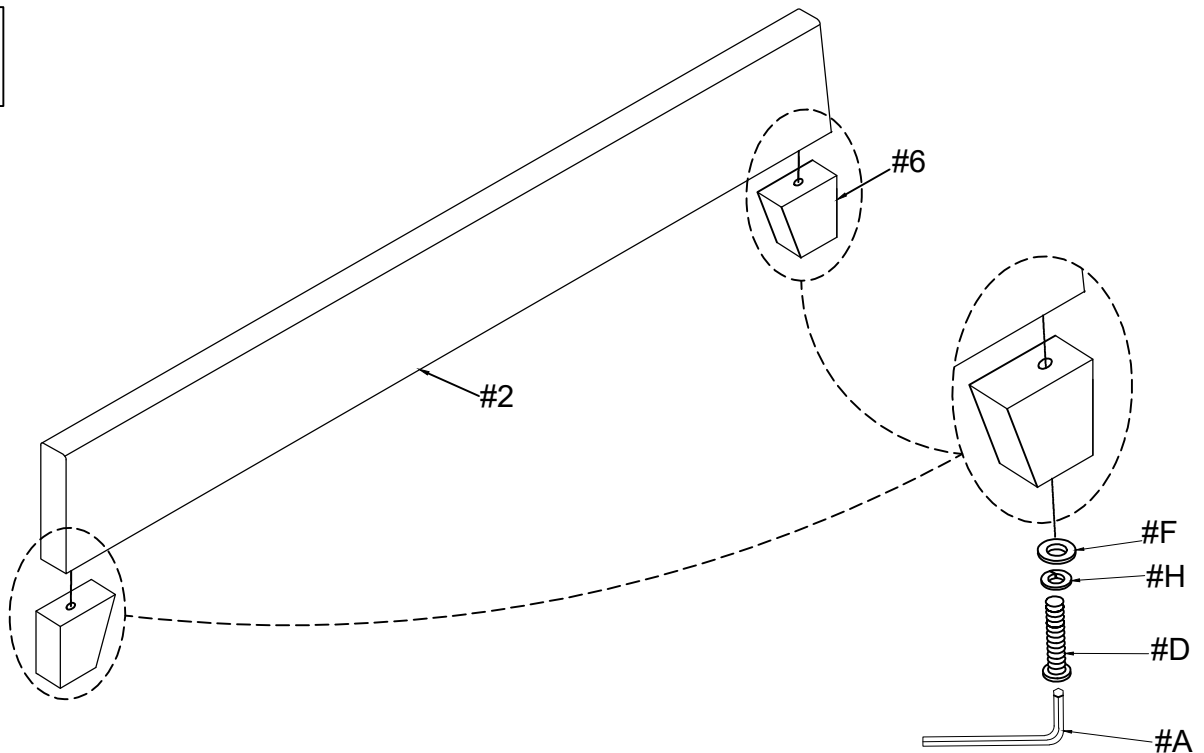
Align wings (#4) to the headboard (#1), then secure by using bolts (#C,E) with washers (#H,G).

- #C x 4pcs
- #E x 2pcs
- #G x 6pcs
- #H x 6pcs



Align FB feet (#6) to the footboard (#2), then secure by using bolts (#D) with washers (#H,F).

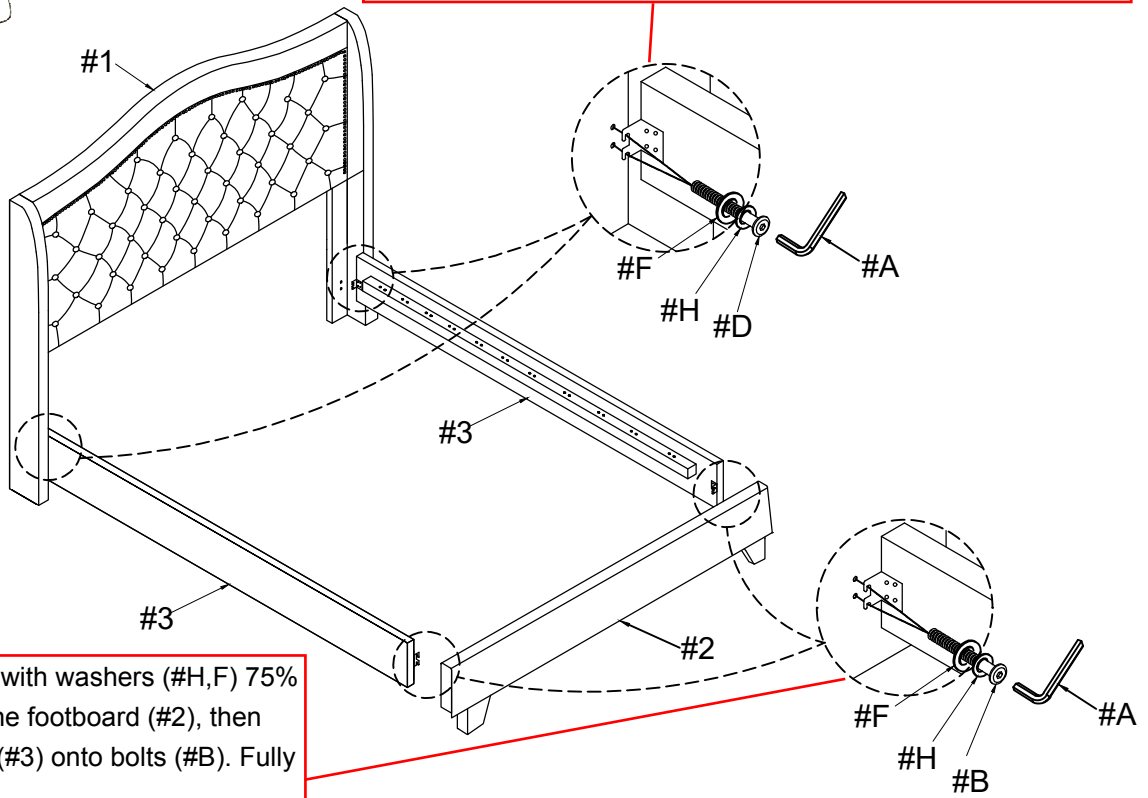
- #D x 2pcs
- #F x 2pcs
- #H x 2pcs





Secure bolts (#D) with washers (#H,F) 75% into the holes of the headboard (#1), then rest the side rails (#3) onto bolts (#D). Fully secure bolts (#D).

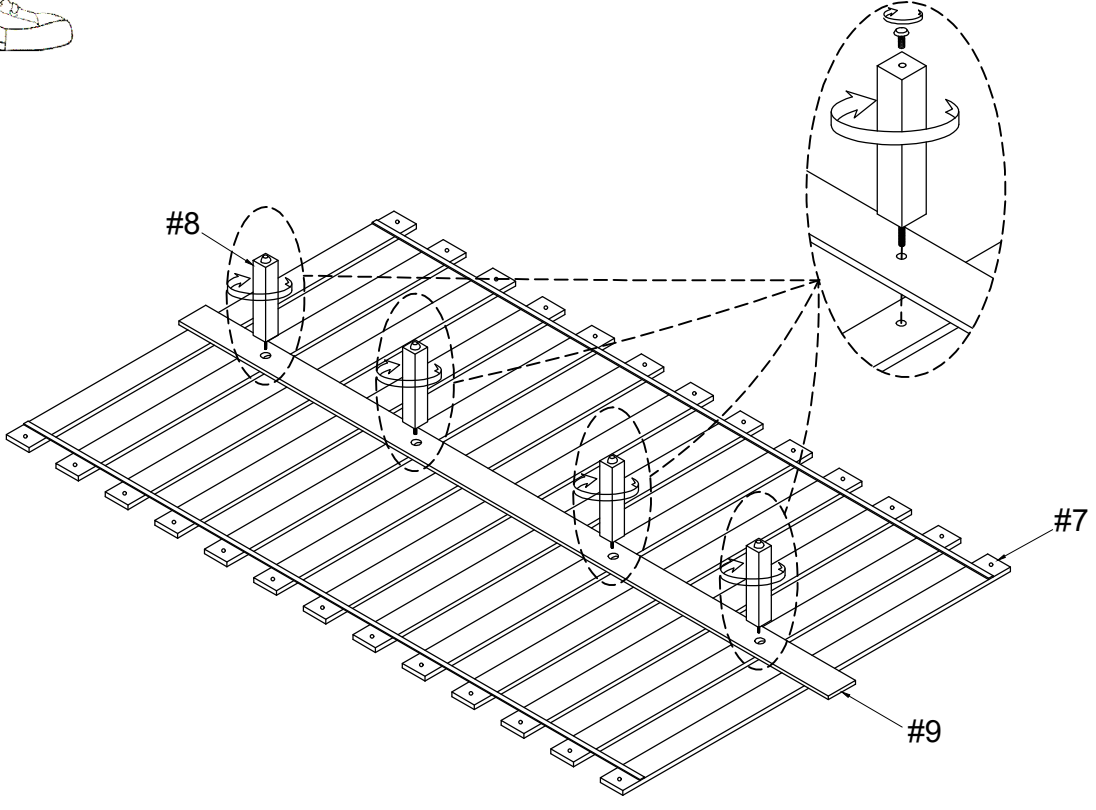
#B x 4pcs
#D x 4pcs
#F x 8pcs
#H x 8pcs



Secure bolts (#B) with washers (#H,F) 75% into the holes of the footboard (#2), then rest the side rails (#3) onto bolts (#B). Fully secure bolts (#B).



Align center slat (#9) to the holes of the slats (#7), then secure by attach support legs (#8) onto the slats (#7,9). Adjust the leveler on the support legs (#8) according to ground level.

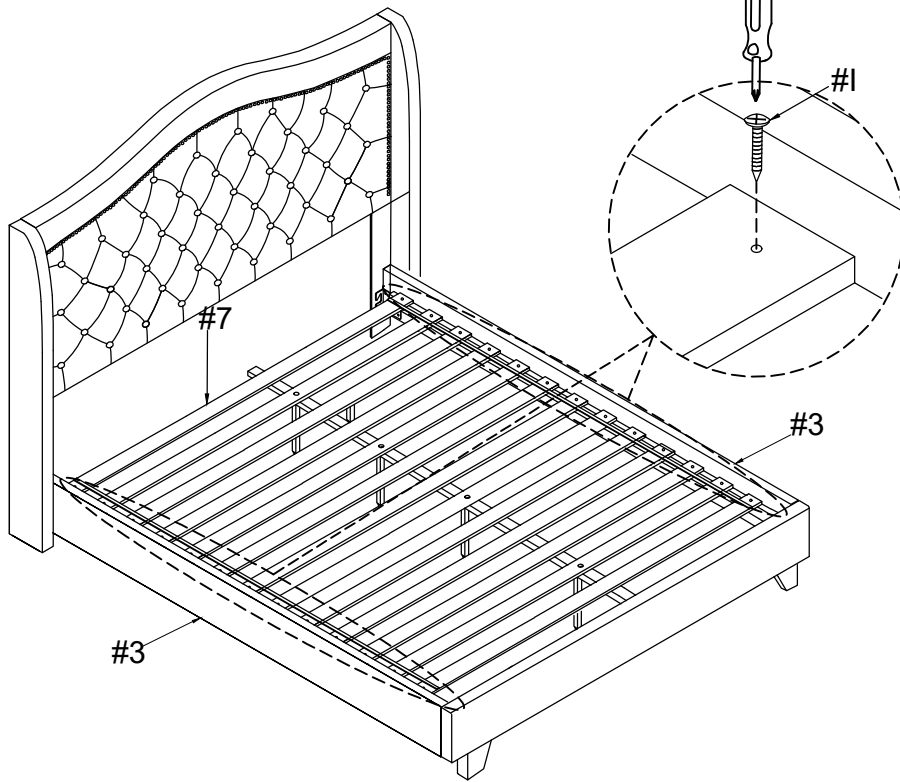




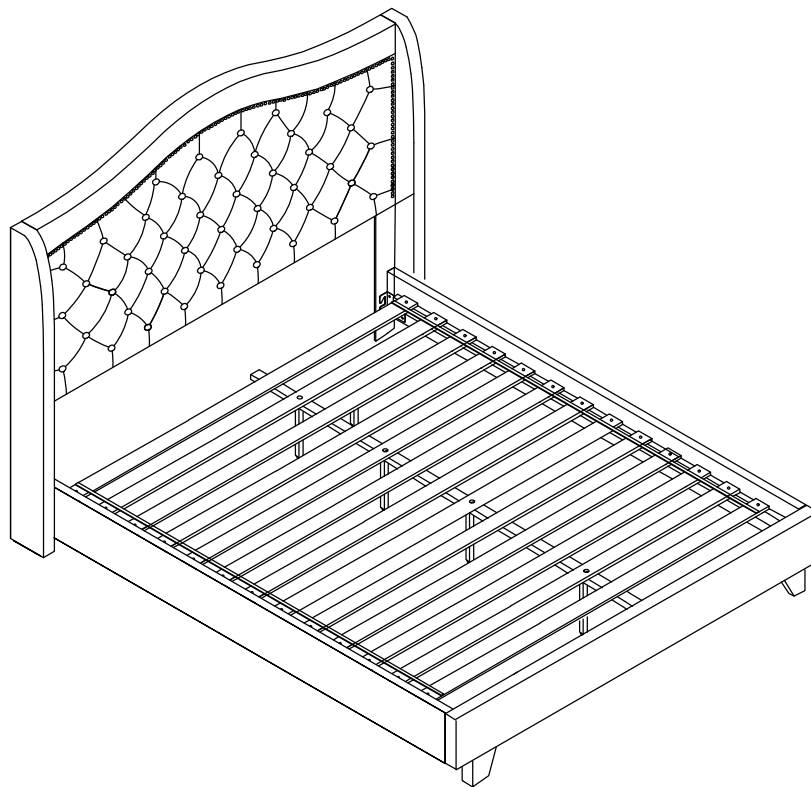
#6

#1 x 26pcs

Align slats (#7) onto side rails (#3), then secure by using screws (#1).



#7



ASSEMBLY IS COMPLETED