

# BELLATERRA HOME

**Model: F30B**

Cabinet only; Countertop & Backsplash sold separately

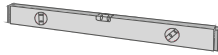
## Tools List (Not included)



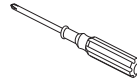
Tape Measure



Silicone

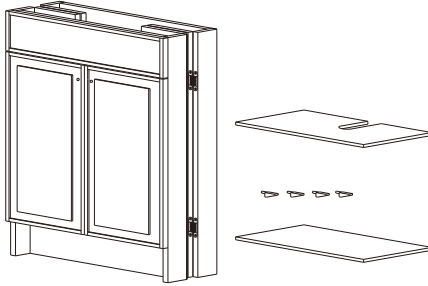


Spirit Level



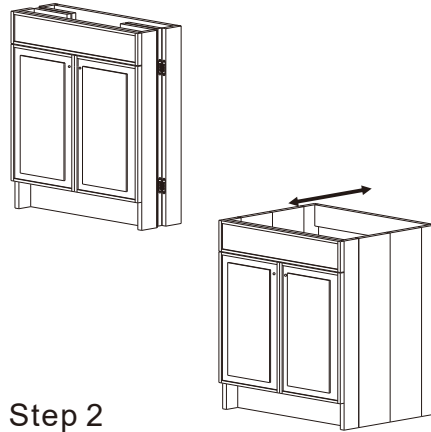
Screw Driver

Unpack the vanity cabinet and the additional components from box. Additional components include: Bottom interior shelf panel (1 piece), interior (U-shape cutout) shelf panel (1 piece), and shelf pins (4 pieces).



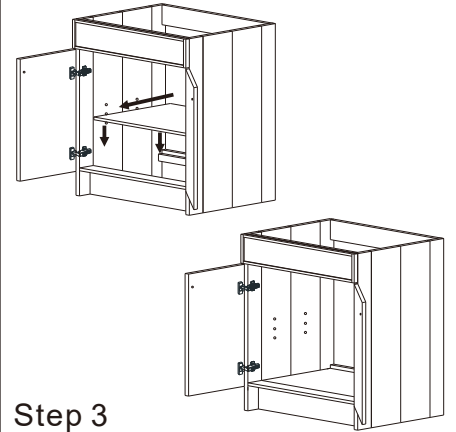
Step 1

With the vanity cabinet standing upright, pull out the front and back frames to expand the vanity cabinet to its full size. The front and back frames should be extended fully for the side panels to be aligned and perpendicular the front and back frames.



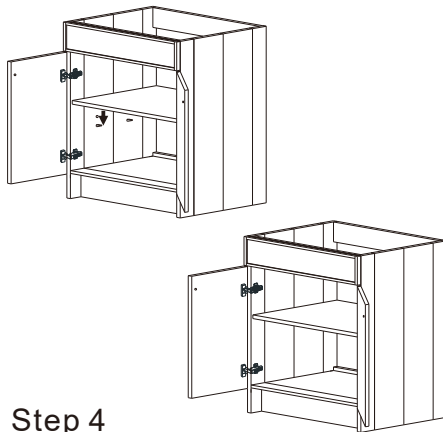
Step 2

Insert the bottom interior shelf panel into the vanity cabinet and make sure it fits tightly at the bottom of the cabinet.



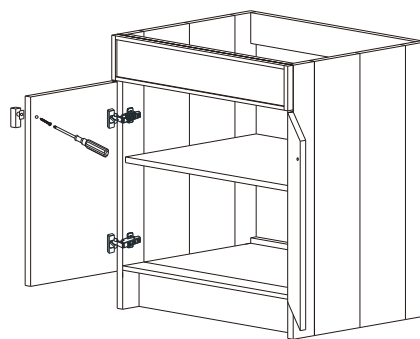
Step 3

Locate the pre-drilled holes inside the cabinet- there are three different height options for the interior shelf. Determine which height will be used and insert the shelf pins in corresponding holes. Then place the interior (U-shape cutout) shelf panel on top.



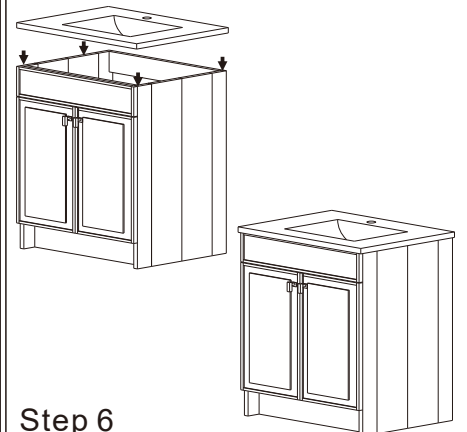
Step 4

To install door handles: Insert screw through the pre-drilled hole on cabinet doors and attach handles to the cabinet doors. (Handles are sold separately.)



Step 5

To install sink counter top: Apply silicone sealant around the top edge of the vanity cabinet. Do not over apply. Place sink counter top directly on top of the cabinet and allow 24 hours for the sealant to properly cure. (Sink counter top is sold separately.)



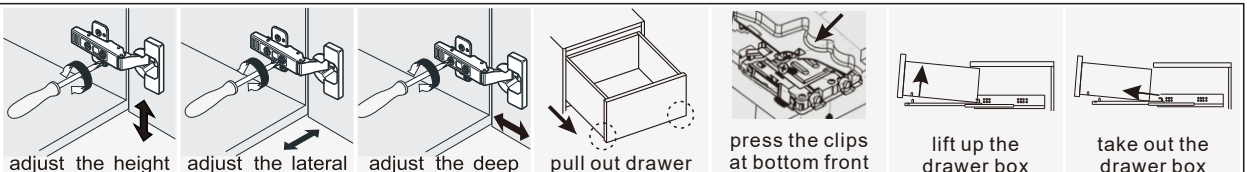
Step 6

## CARE AND CLEANING

For best results in caring for your stone top, we suggest:

- Always wipe off spills immediately.
- Seal the stone top regularly with a good quality stone sealant.
- Never use strong or abrasive cleaner, and always test your cleaning solution on unnoticeable areas before applying to the entire surface.
- Wipe surface clean, immediately after applying cleaner.
- Do not allow cleaner to sit or soak. Never let cleaner sit on the surface of the stone for long periods of time.
- Use a soft, dampened sponge and cloth. Never use an abrasive material such as brush or scouring pad to clean surface. They will scratch the surface of the stone top and lavatory
- Always rinse and wipe clean the fixtures to prevent soap buildup.

## INSTALLATION TIPS:



**NOTE: SINK STYLE, SHAPE, FAUCET HOLES, CUTOUT ON TOP, VANITY MAY VARY FROM THE PICTURE ABOVE. INSTRUCTIONAL PURPOSE ONLY.**

Professional installation is recommended.

[www.bellaterra-home.com](http://www.bellaterra-home.com)

Bellaterra Home LLC, All Rights Reserved 2023