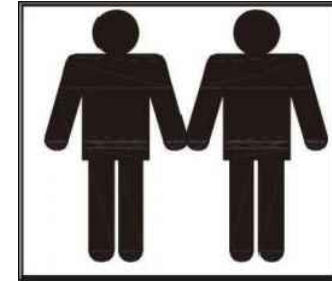
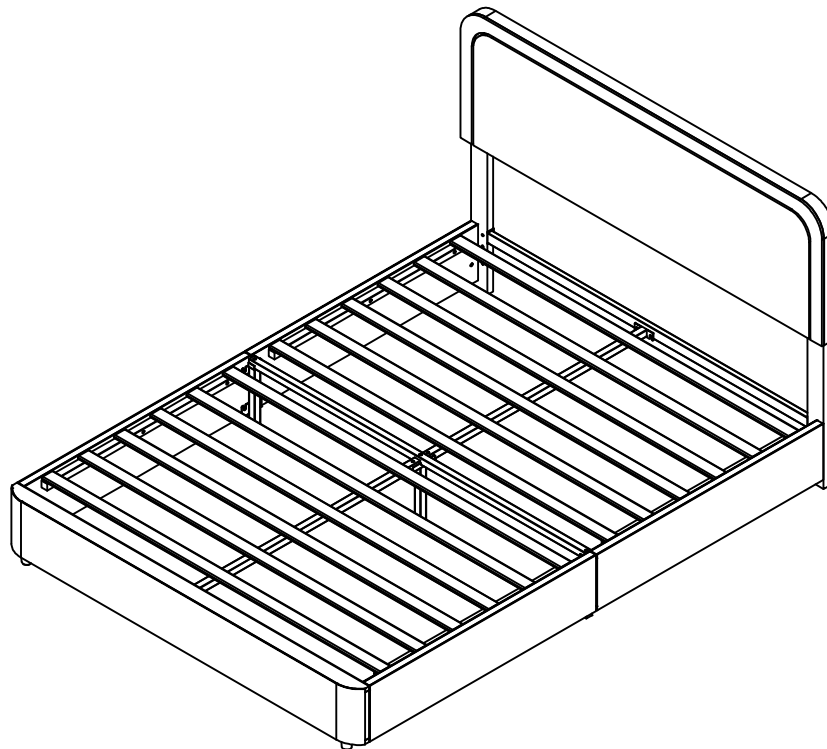


Assembly Instruction

Note:

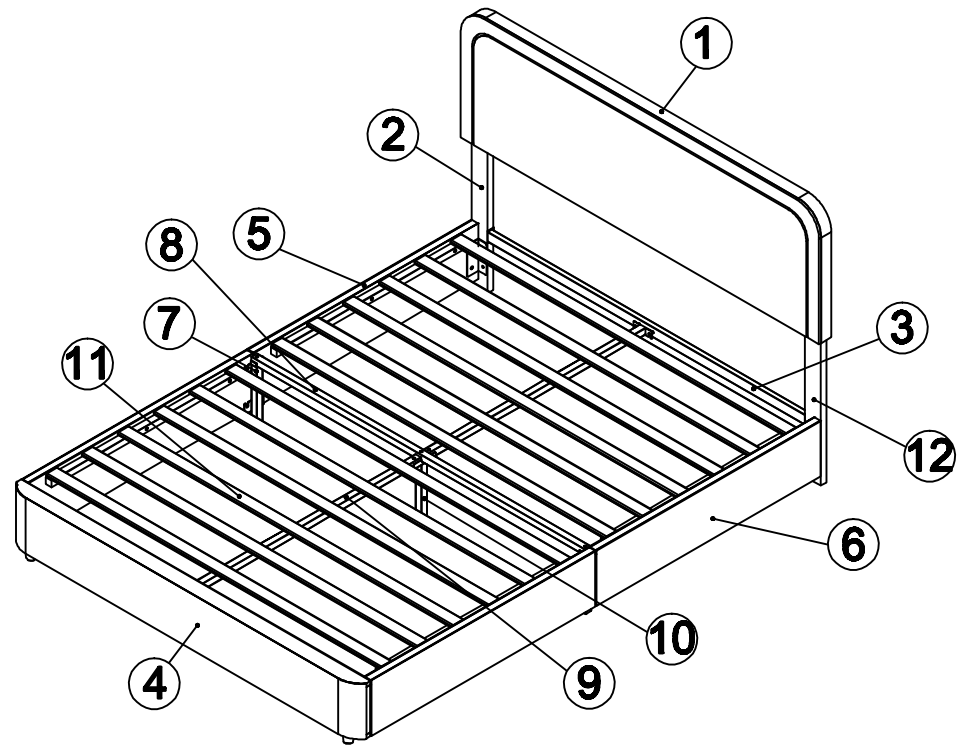
1. Should be assembled on flat ground to keep balance.
2. Before completing the installation, do not tighten the screws.



It needs at least two people to install.




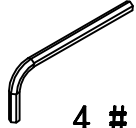


Before starting the assembly, you must read the whole manual and follow the instructions.

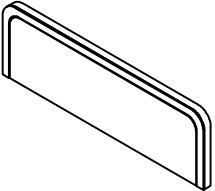

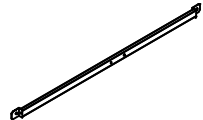
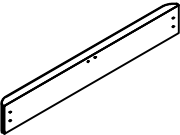
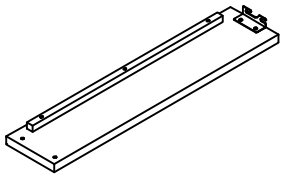
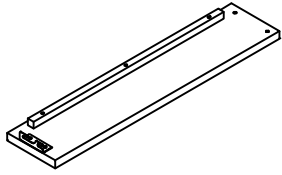


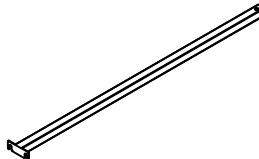
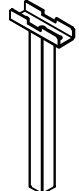
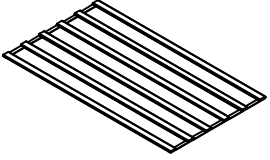



Assembly Instruction



Hardware arts

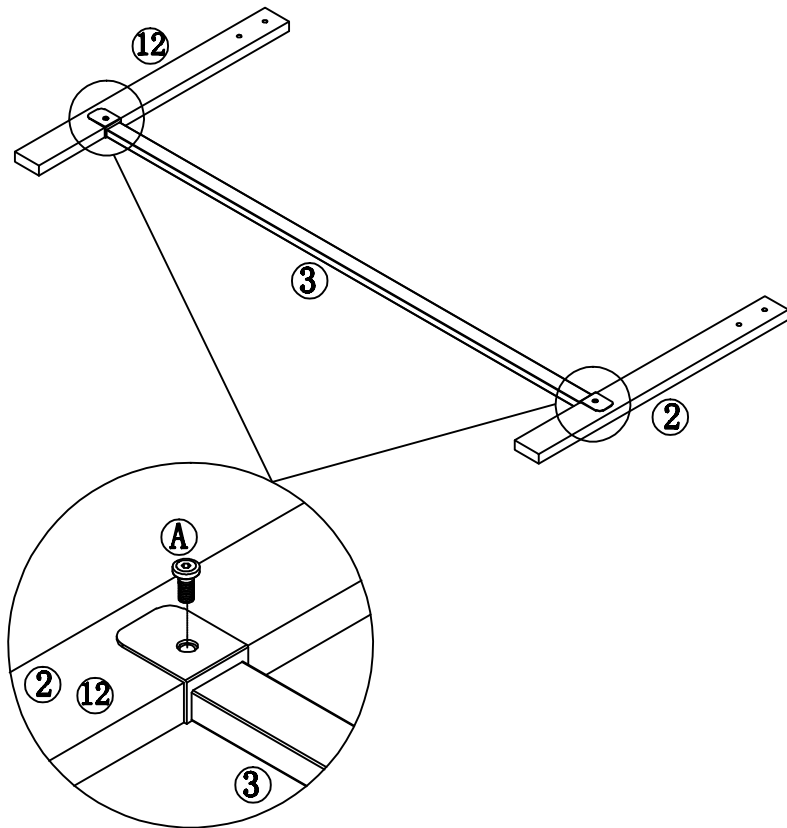
 <p>Ⓐ M8x20 22pcs</p>	 <p>Ⓑ M8x35 4pcs</p>	 <p>Ⓒ M8x45 5pcs</p>	 <p>Ⓓ 4 # 1pc</p>		
--	---	--	--	--	--



Part list

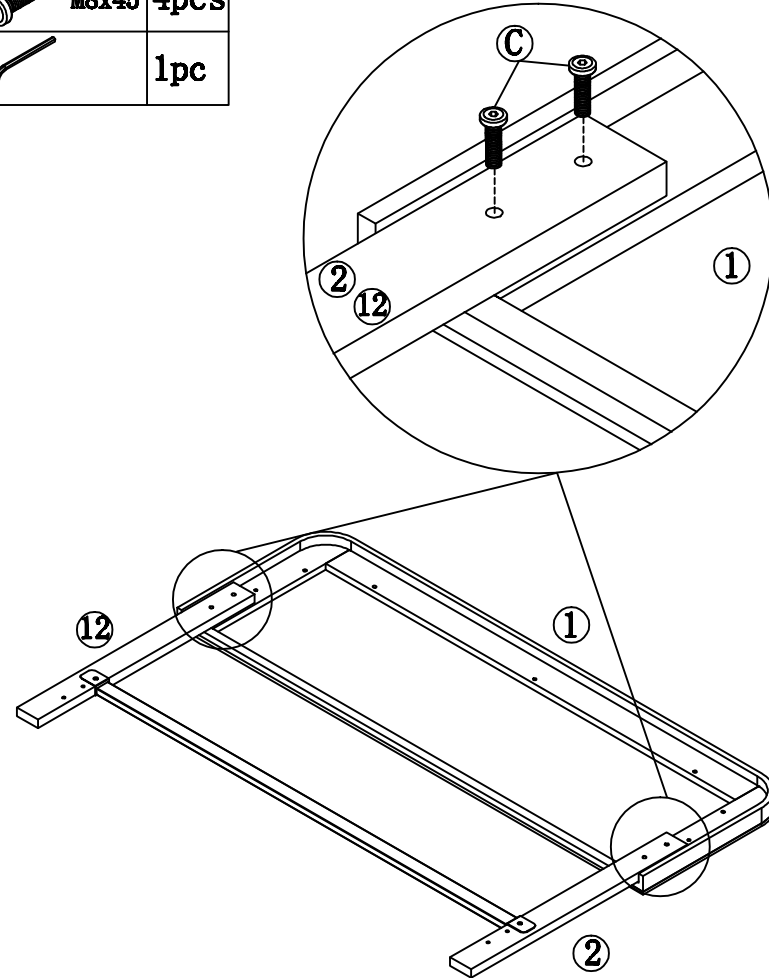
 <p>① 1 PC</p>	 <p>② 1 PC</p>	 <p>③ 1 PC</p>	 <p>④ 1 PC</p>	 <p>⑤ 2 PCS</p>	 <p>⑥ 2 PCS</p>
 <p>⑦ 2 PCS</p>	 <p>⑧ 1 PC</p>	 <p>⑨ 2 PCS</p>	 <p>⑩ 1 PC</p>	 <p>⑪ 2 PCS</p>	 <p>⑫ 1 PC</p>

Assembly Instruction



A	 M8x20	2pcs
D		1pc

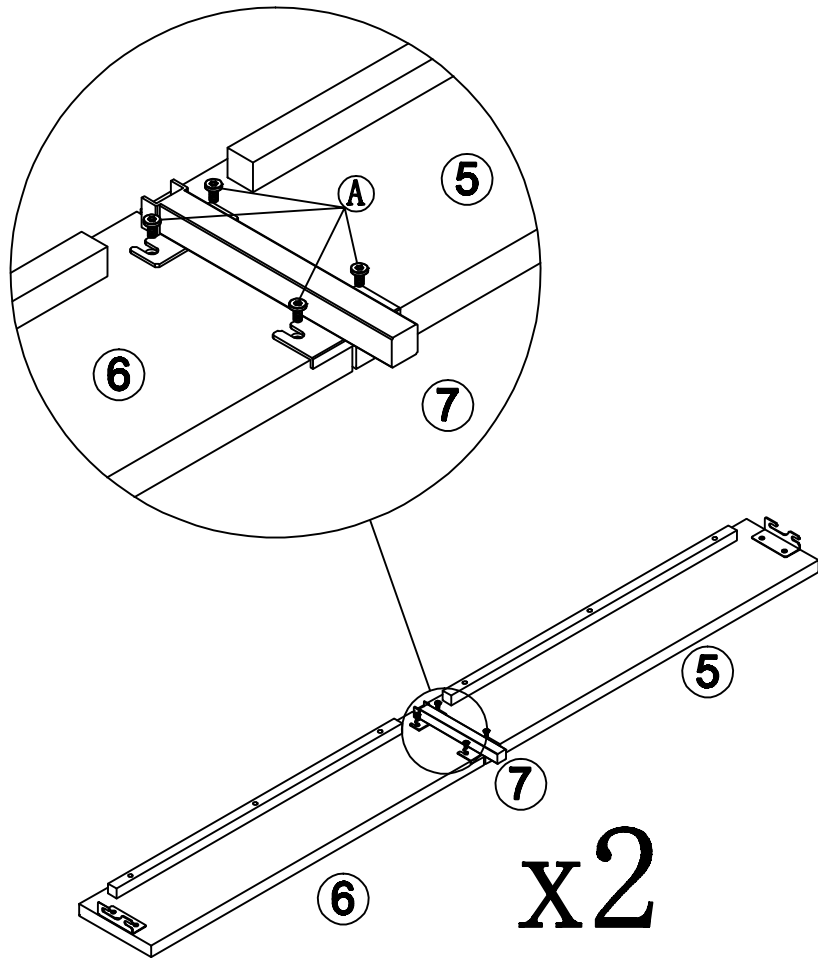




C	 M8x45	4pcs
D		1pc

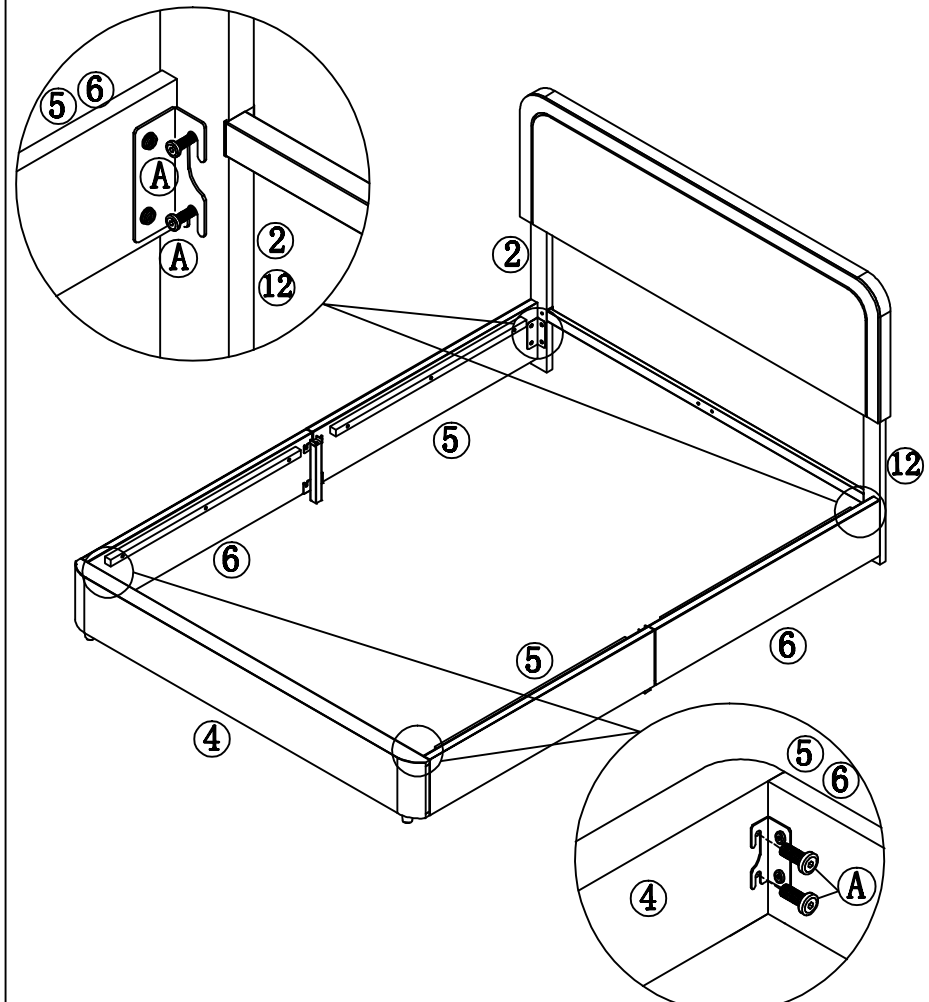


Assembly Instruction




A		M8x20	8pcs
D			1pc




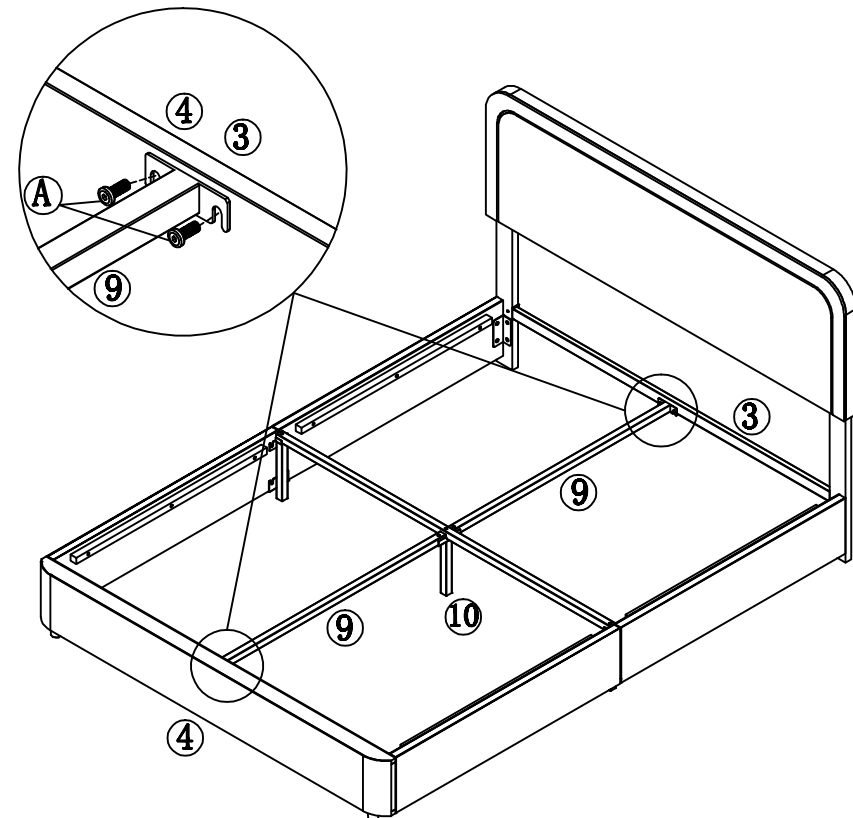
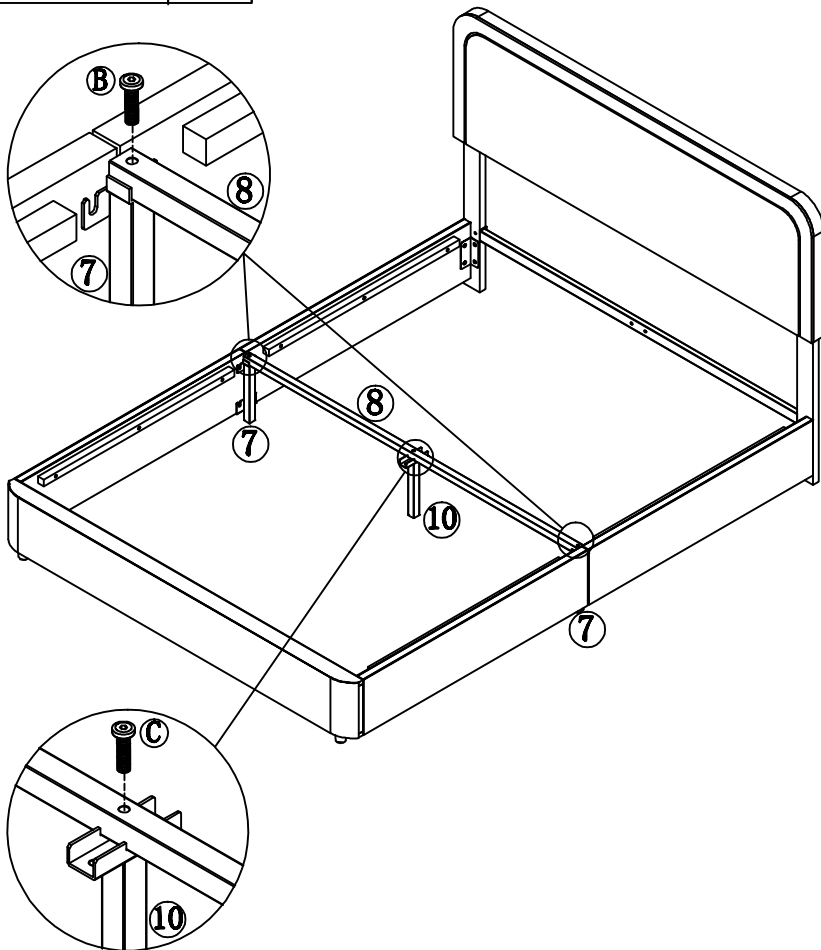
A		M8x20	8pcs
D			1pc





Assembly Instruction

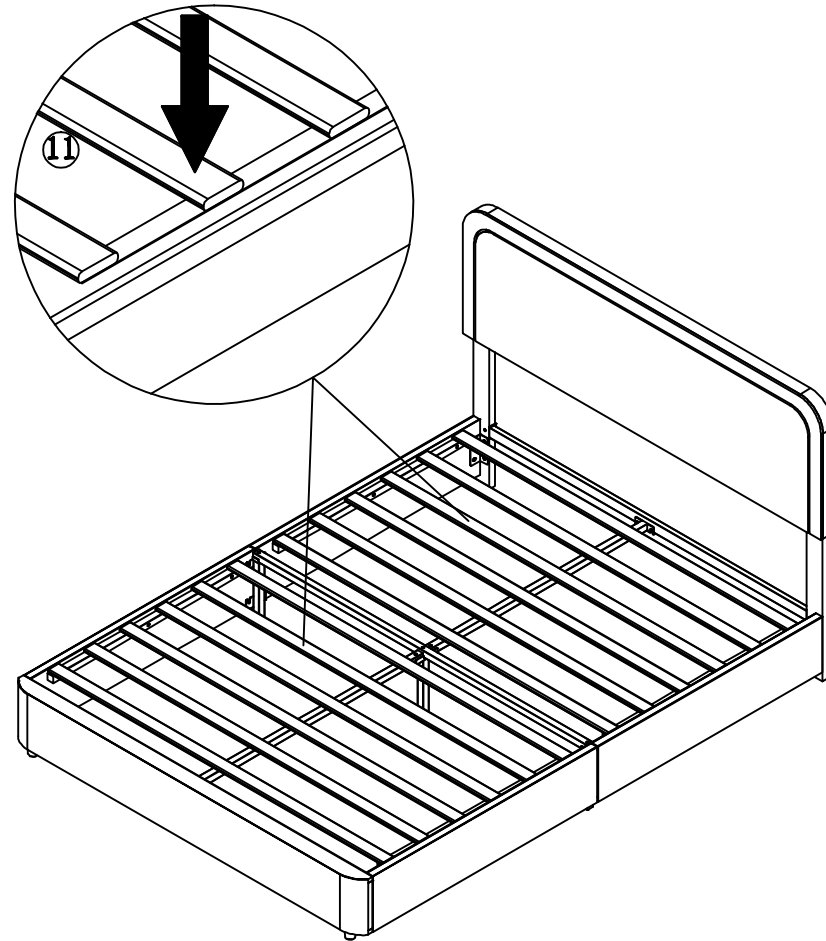
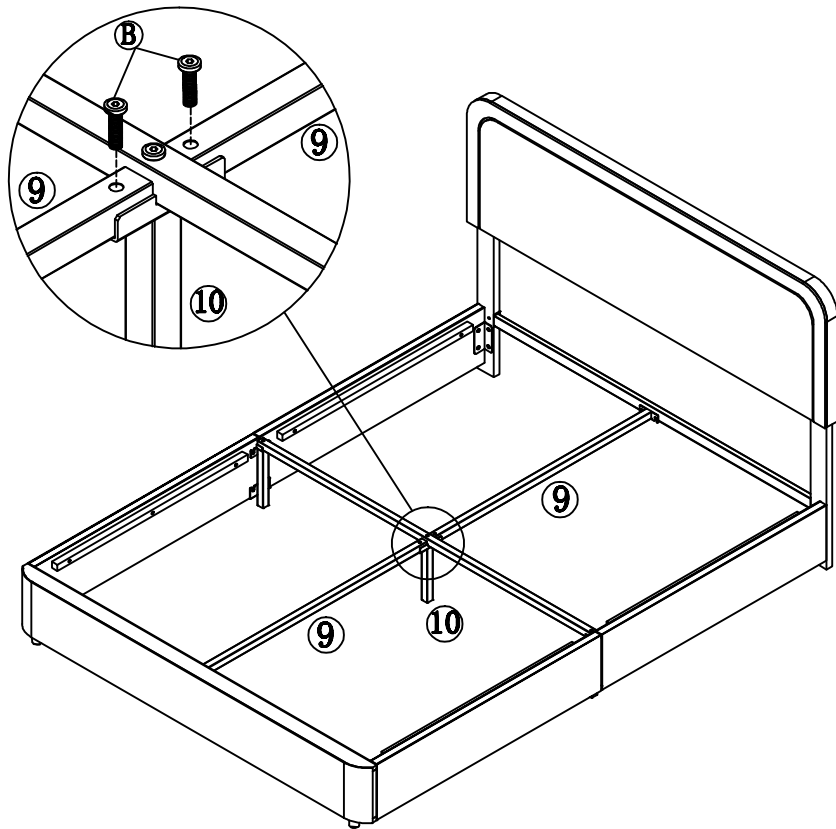
B		M8x35	2pcs
C		M8x45	1pc
D			1pc

A		M8x20	4pcs
D			1pc



Assembly Instruction

B	 M8x35	2pcs
D		1pc



Assembly Instruction

