

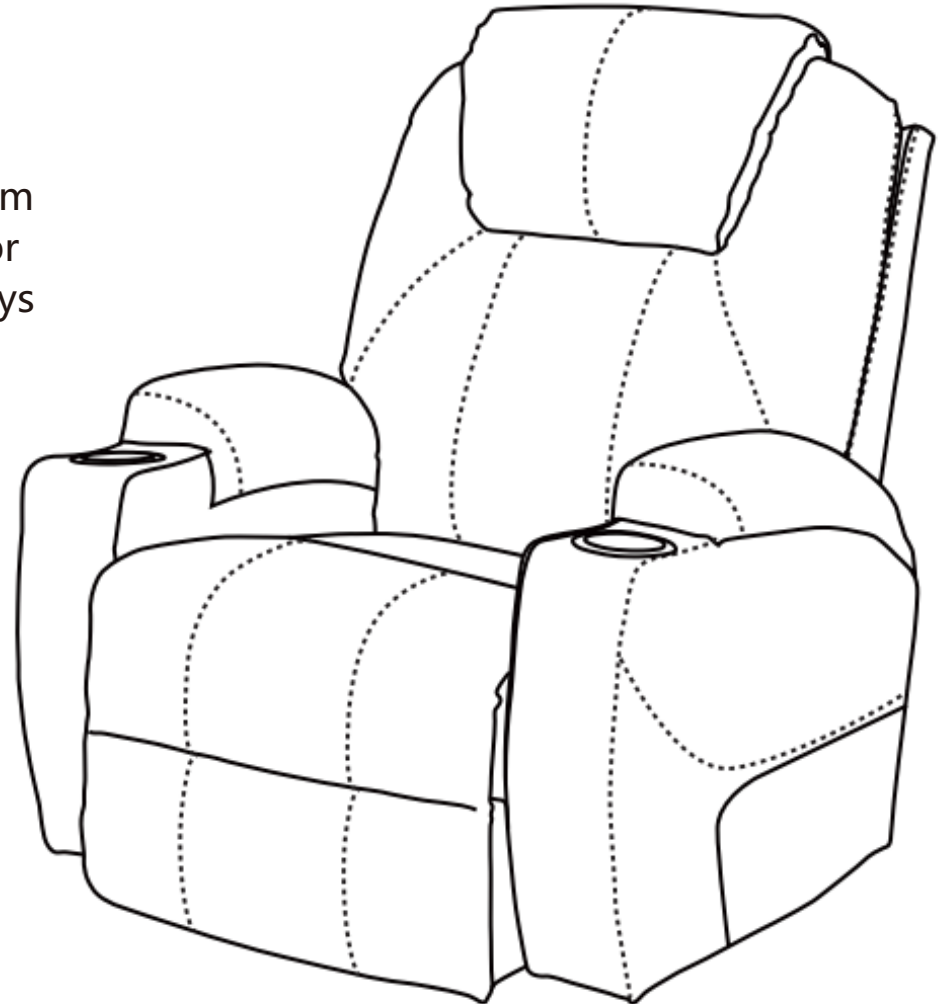
Power Lift Massage Recliner

Assemble Manual

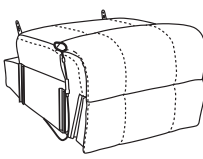
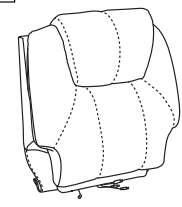
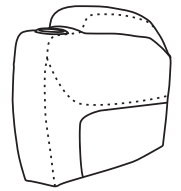
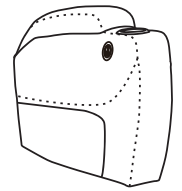




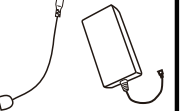
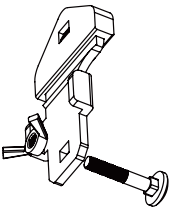
Note: This chair will come with 2 separate boxes, we ship them on the same day but the carrier may deliver them to your door on different days, please kindly wait for more 1-3 business days if you only receive one box.

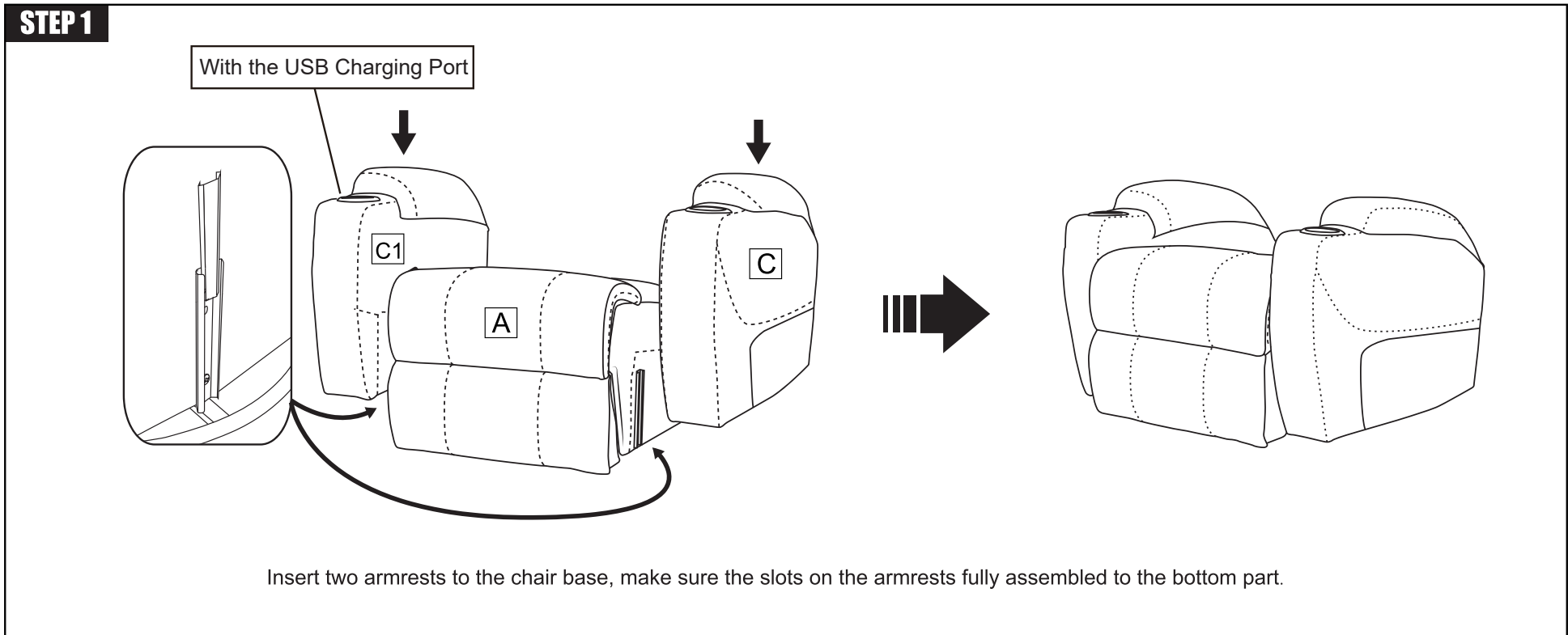
Please make sure you get 1 x Box(A) and 1 x Box(B) before assembly.

For any query, please feel free to contact us, we'll offer you an ideal resolution within 24 hours.



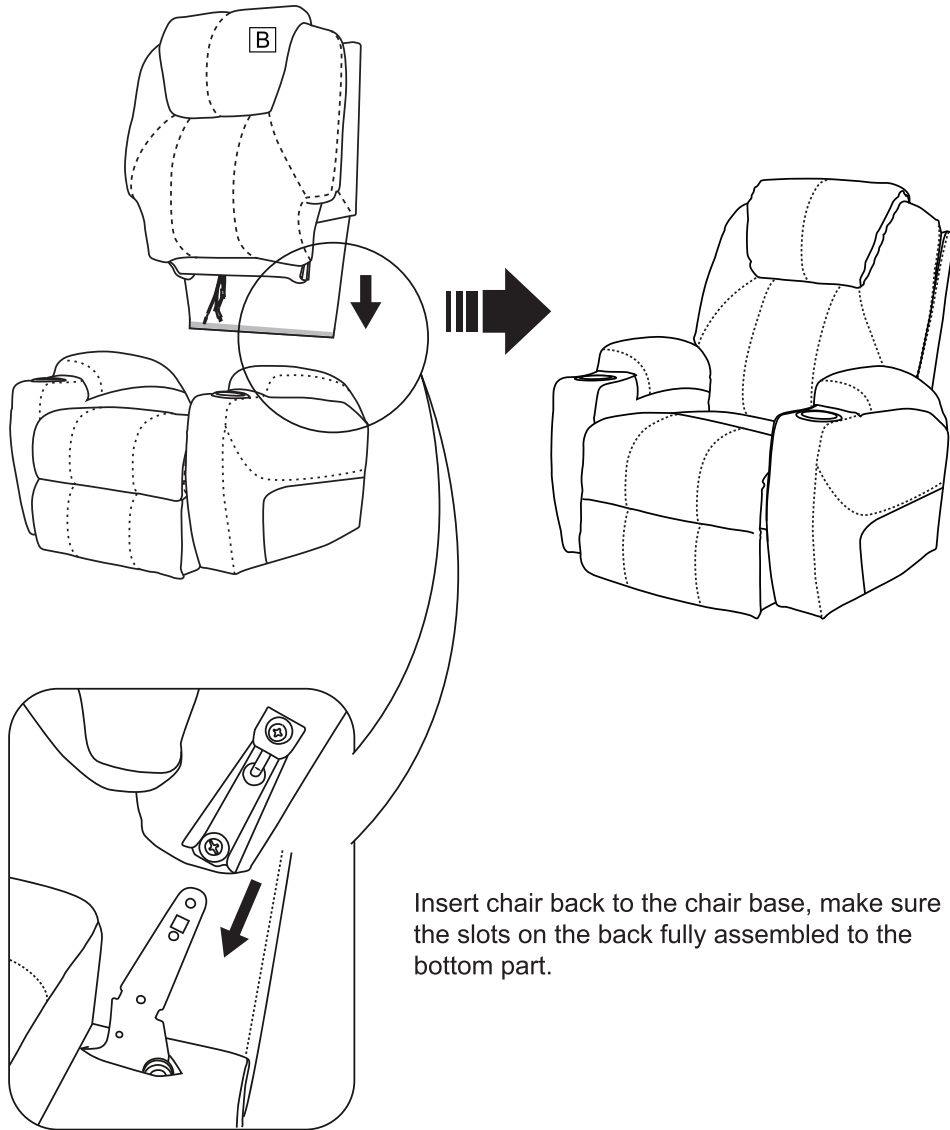
Lift Chair Assembly Instruction

| | | | | | | | | | |
|--|---|---|--|--|---|---|---|---|---|
| A  | B  | C  | C1  | D  | E  | F  | G  | H  | I  |
| Chair Base | Backrest | Left Armrest | Right Armrest | Power Cord | Massage Remote | Lift Remote | 2 IN 1 Line | Power Source | Anti-fall Brackets*2 |



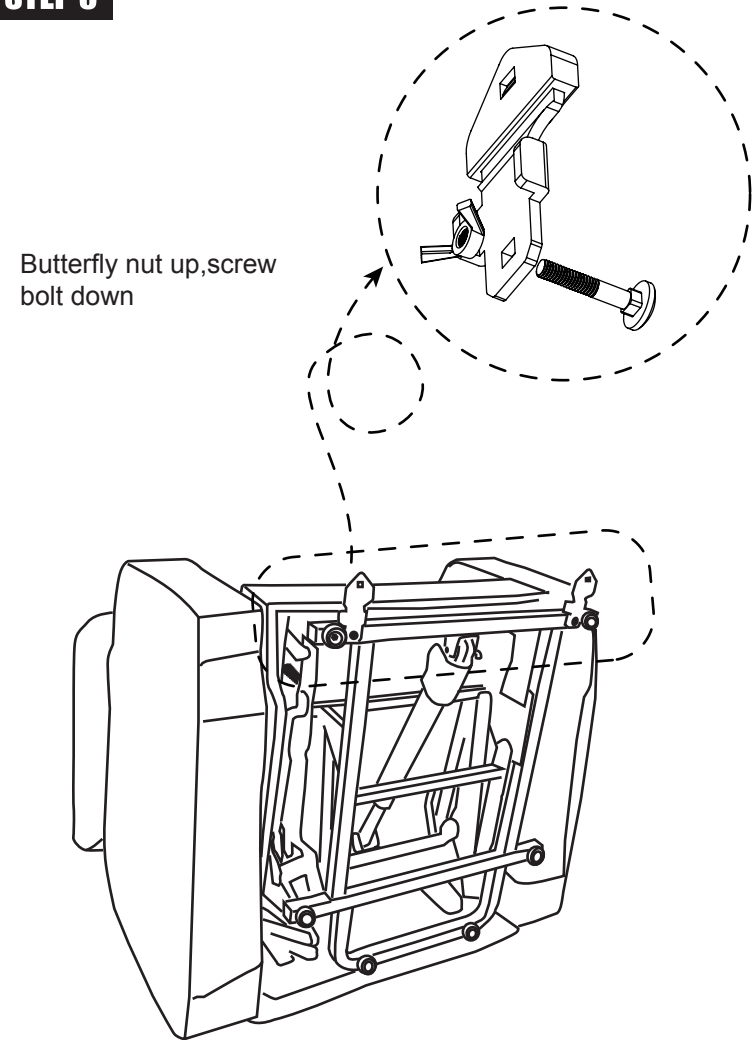
Lift Chair Assembly Instruction

STEP 2



Insert chair back to the chair base, make sure the slots on the back fully assembled to the bottom part.

STEP 3



Butterfly nut up, screw bolt down

Find a small bag in the accessories box. Take out **Anti-fall Brackets*2(I)** from the small bag. Assemble the two Anti-fall Brackets as shown on the bottom of mechanism to avoid toppling and falling.

Lift Chair Assembly Instruction

STEP 4

NOTE:

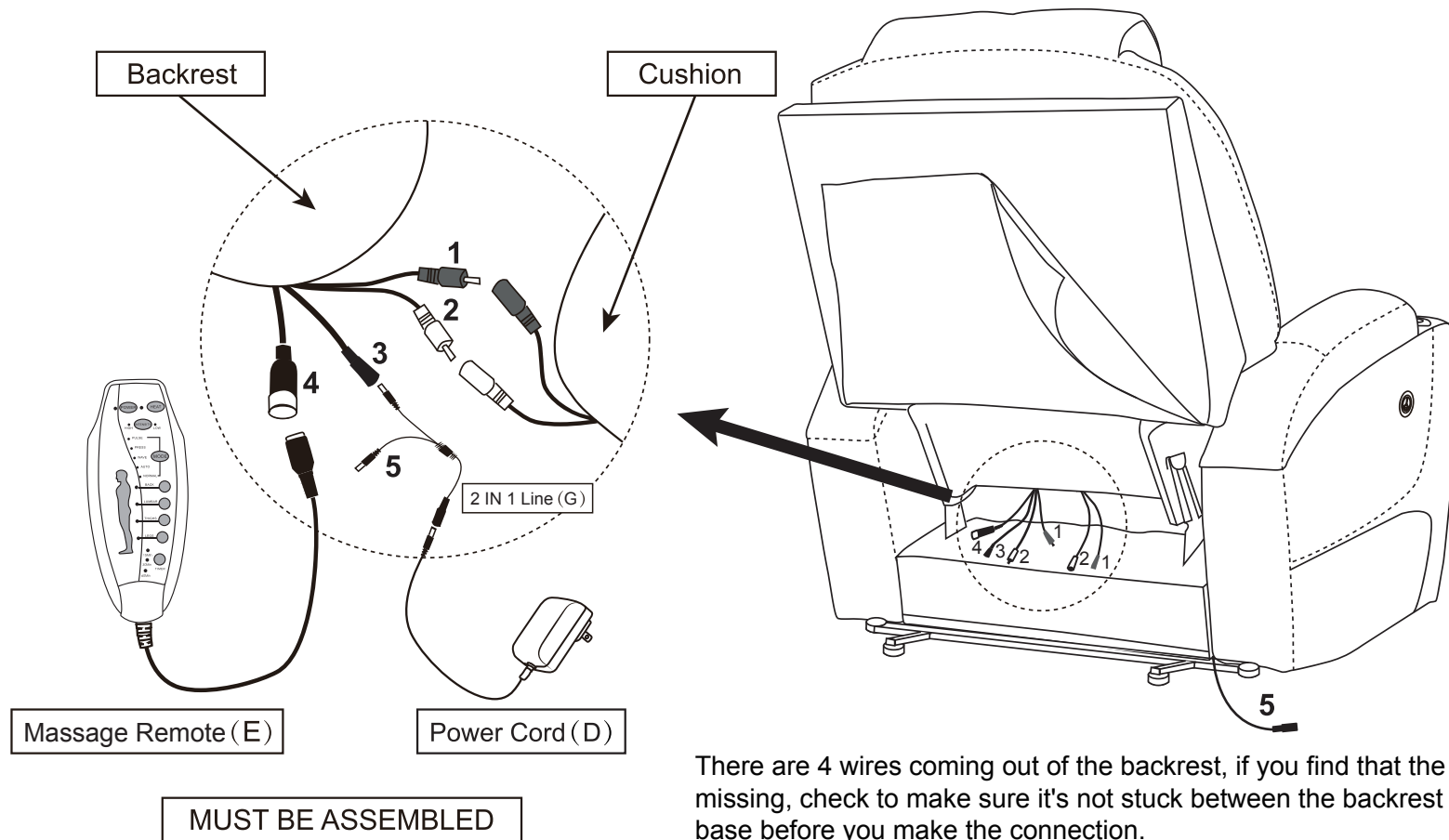
Wire 1: RED wire from the backrest connect to the RED wire from the base.

Wire 2: WHITE wire from the backrest connect to the WHITE wire from the base.

Wire 3: BLACK smaller wire from the backrest connect to the 2 IN 1 Line(G).

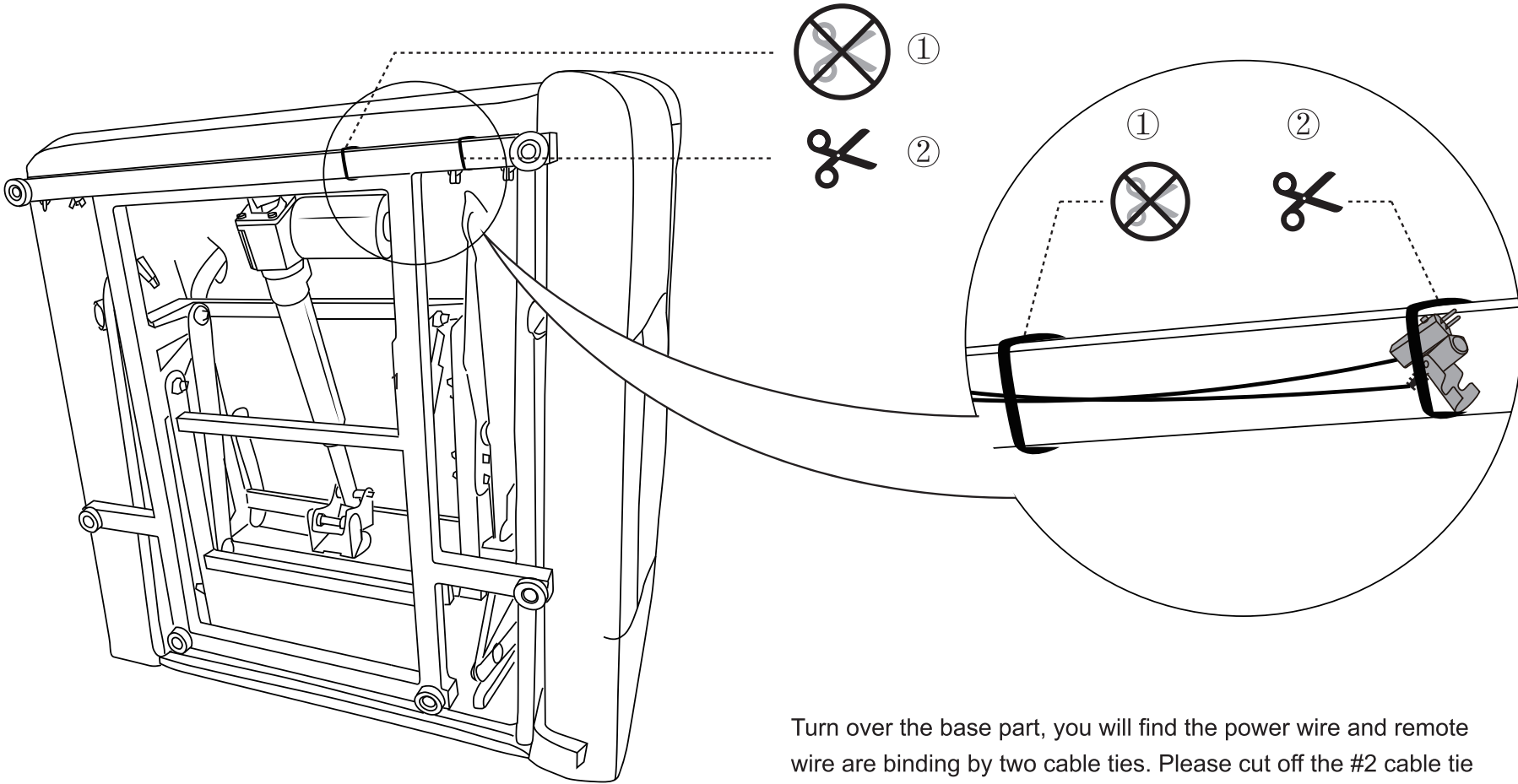
Wire 4: BLACK bigger wire from the backrest connect to the Massage Remote(E).

Wire 5: The other end of this 2 IN 1 line connect to the wire from the right armrest.



Lift Chair Assembly Instruction

STEP 5



Turn over the base part, you will find the power wire and remote wire are binding by two cable ties. Please cut off the #2 cable tie and keep #1 to fix position.

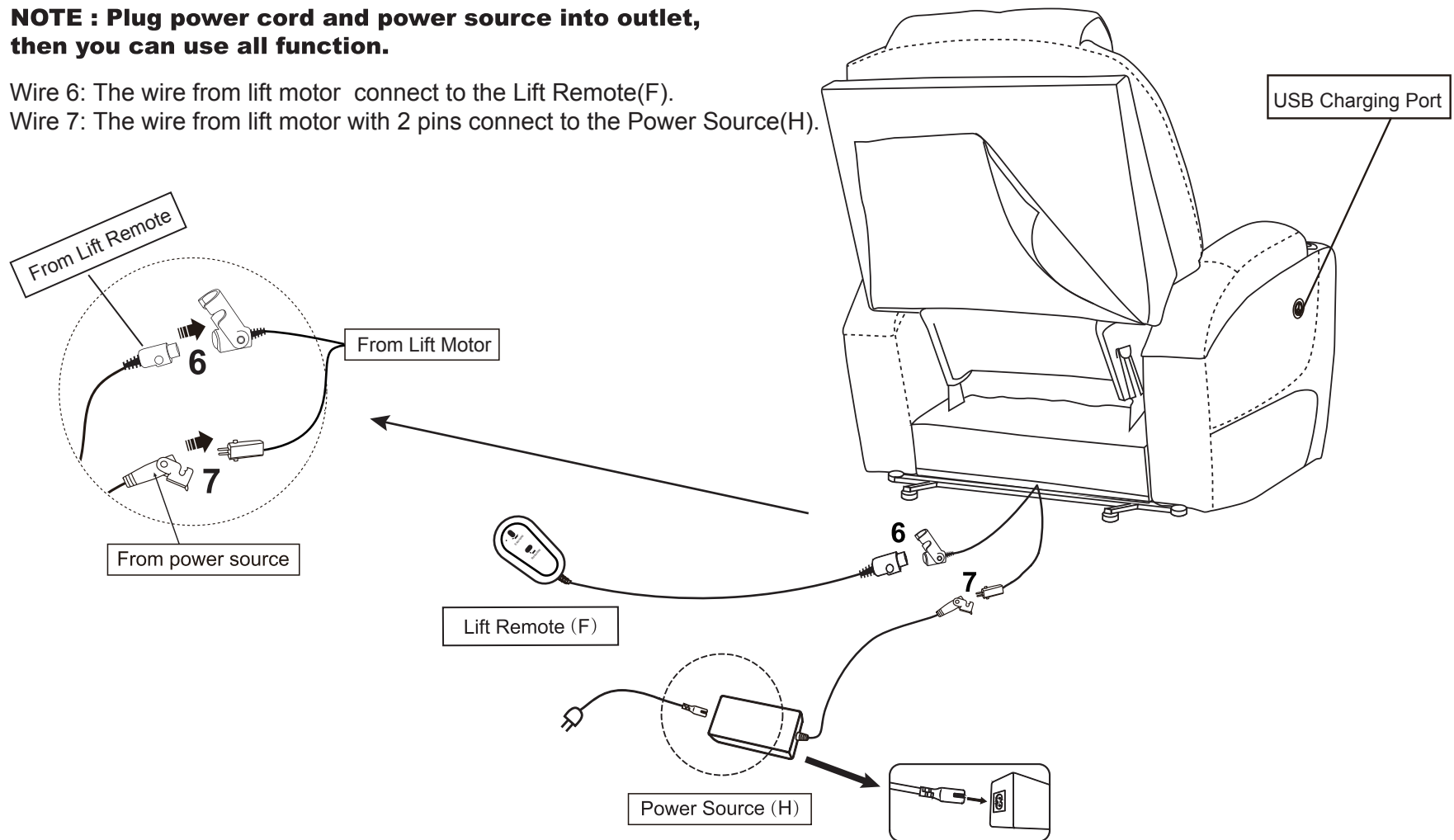
Lift Chair Assembly Instruction

STEP 6

NOTE : Plug power cord and power source into outlet, then you can use all function.

Wire 6: The wire from lift motor connect to the Lift Remote(F).

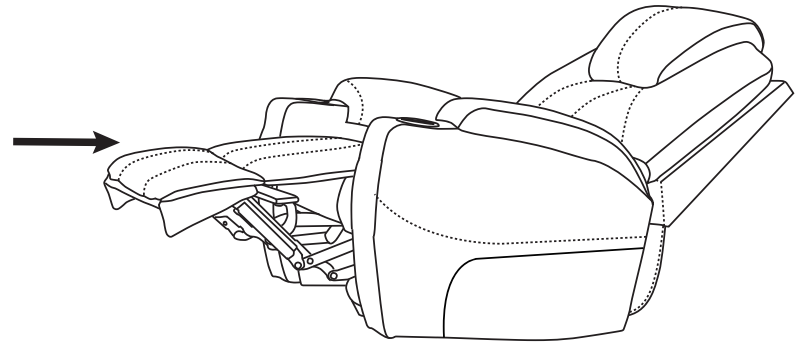
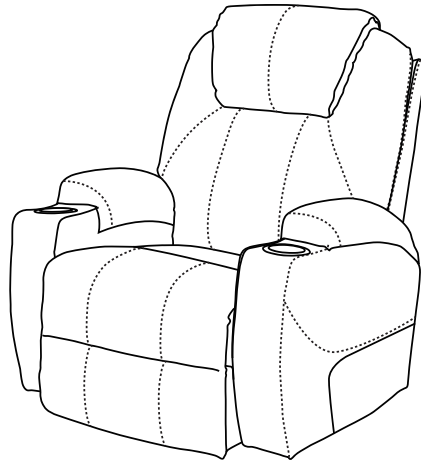
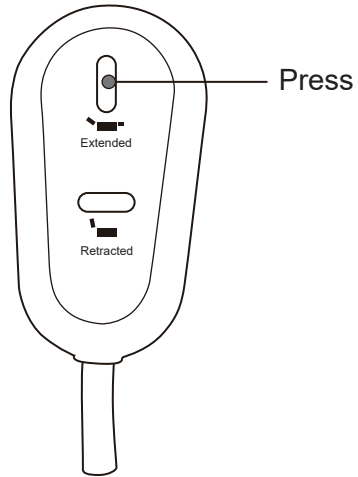
Wire 7: The wire from lift motor with 2 pins connect to the Power Source(H).



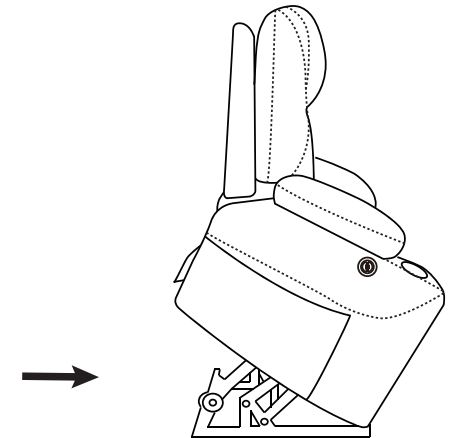
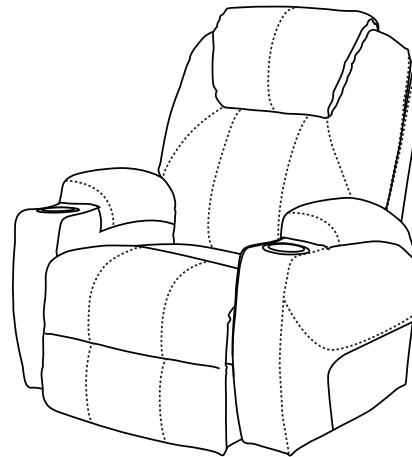
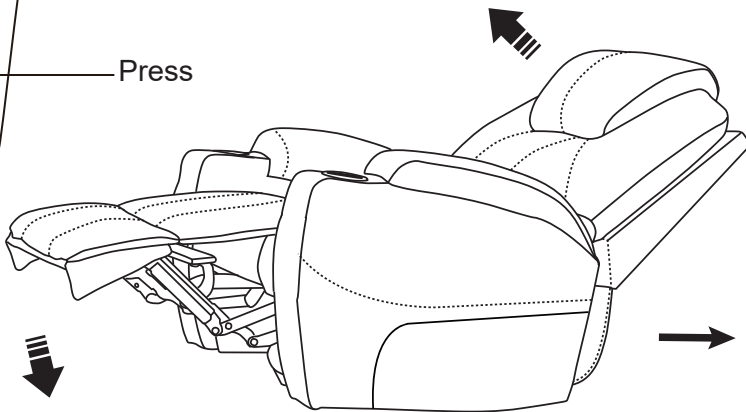
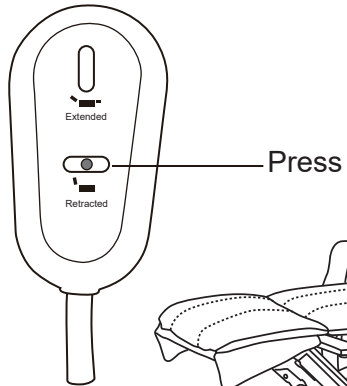
MUST BE ASSEMBLED

Lift Chair Assembly Instruction

How to recline?



How to get footrest latch down and stand?

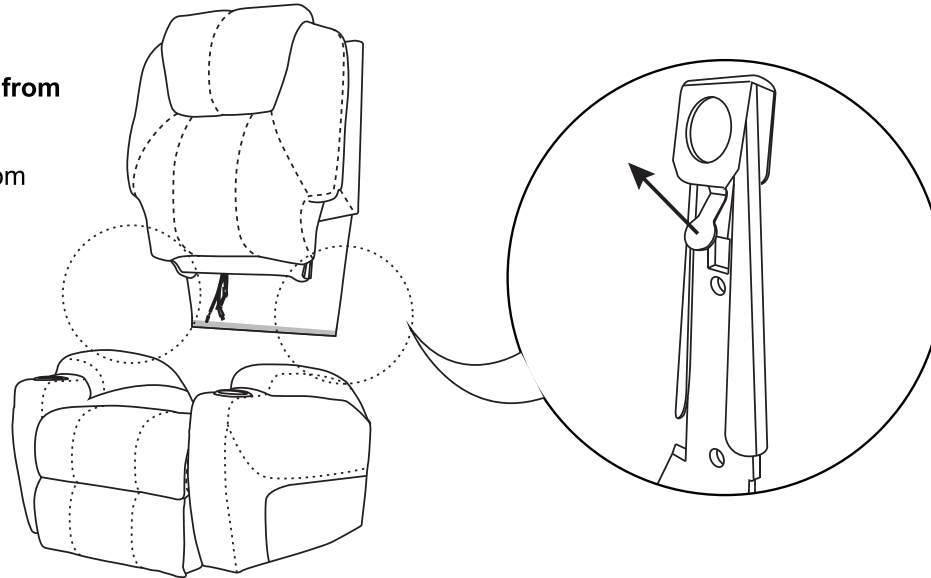


Lift Chair Assembly Instruction

How to disassemble the chair?

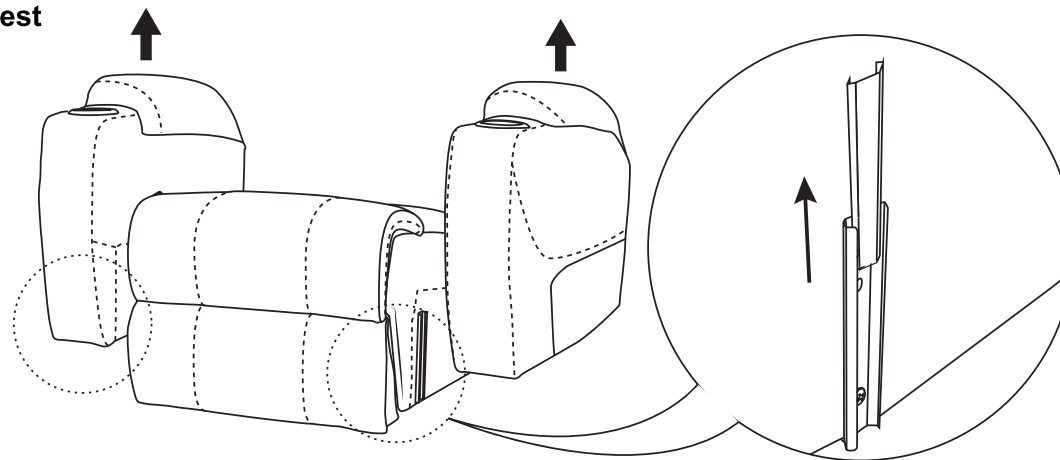
Please note that you need to take apart the backrest from base before removing the arms.

1. Pull up the buckles firstly while take the backrest out from the base.



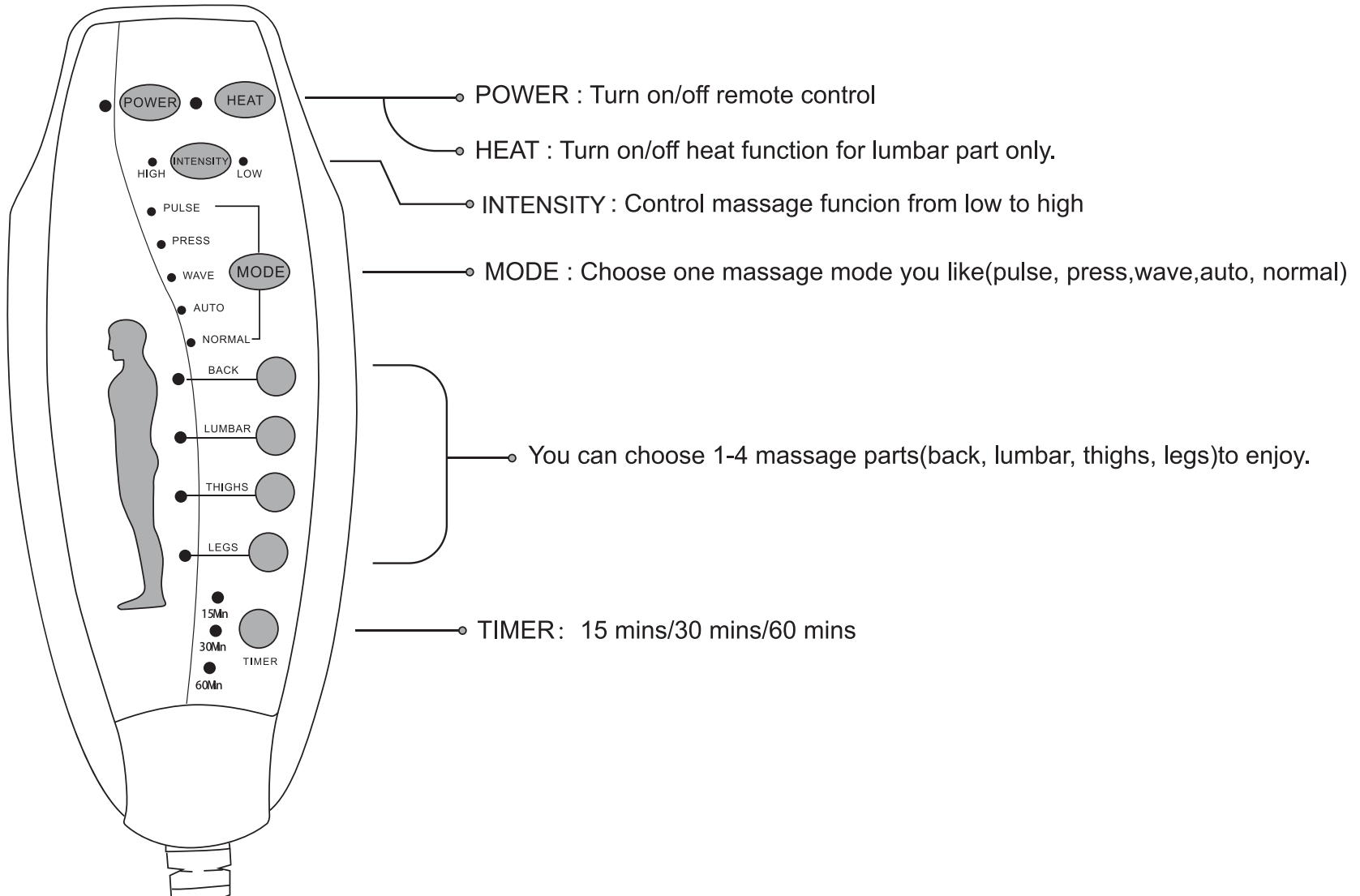
2. Then pull out the arms from the base.

Note: Please grab both ends of the armrest with hands and then pull the armrest up vertically at the same time.



Lift Chair Assembly Instruction

How to use remote control?



Lift Chair Assembly Instruction

FAQ

1.Q: Missing parts when received.

A: Please check if you already received two boxes we shipped to you. Sometimes the two boxes will not arrive in same date, hope you can wait for 2-3 more days or contact us for more help.

If you already have two boxes, please kindly send us messages to let us know the name of missing part regarding to the first page of instructions. We will send replacement to you asap.

2.Q: Some parts damaged when arrived.

A: Please send clear photos about damaged part to us as attachment, we will check and offer you best solution soon.

3.Q: The massage function does not work.

A: Please check if all the wires were connected correctly. If you have connected all wires correctly, please try to re-plug all the wires to avoid poor wiring contact problems.

If the massage still does not work after you have re-plugged all the wires, then check these 2 parts:

Part 1: The indicator lights on massage remote control are working ? YES or NO

Part 2: The USB ports are charging properly ? YES or NO

After confirming the answers to these 2 questions, contact us by email and let us know the answers, we will offer you a solution for this issue.

4. Q: The Heat function does not work or can't feel.

A: Please check all wires connection the same as question 3 first. If the remote also works well, you will need wait for 5-10 mins after you press the "HEAT" button. The heating function only works at lumbar position and the heat temperature isn't very hot.

5.Q: The chair can not lift and recline.

A: Please re-plug all wiring connected to the motor to ensure they were properly connected.

If the chair still does not work after you have re-plugged all the wires, then please check if the indicator lights on the Lift remote control and power source (Part G) are on or not, and contact us by email and let us know the answer, we will offer you a solution for this issue.