

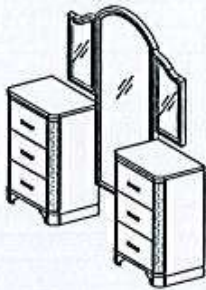
ASSEMBLY INSTRUCTIONS

VANITY TABLE AND MIRROR

F2061

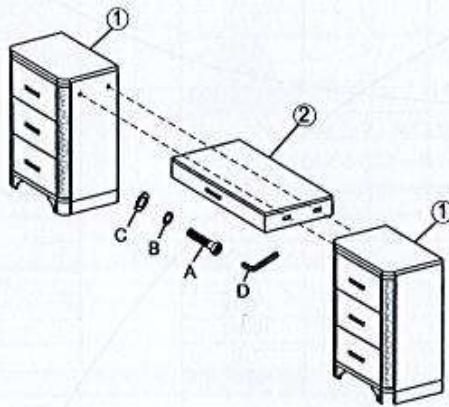
Caution: Please read instructions thoroughly before unpacking assembly parts. Sharp, exposed staple tips can cause injury, therefore, for your protection, please remove any exposed staple used in packing.

1. We recommend that you should assemble this product with the assistance of another person; this will make assembly easier, and will help to eliminate damage to the product or injury to persons during assembly.
2. Be sure to check all packing materials carefully for small parts that may have come loose inside the carton during shipment.
3. please do not over tighten screws or bolts.
4. Please put all parts on a non-abrasive floor before assembly, and follow the assembly steps to assemble your newly purchased product correctly and efficiently.

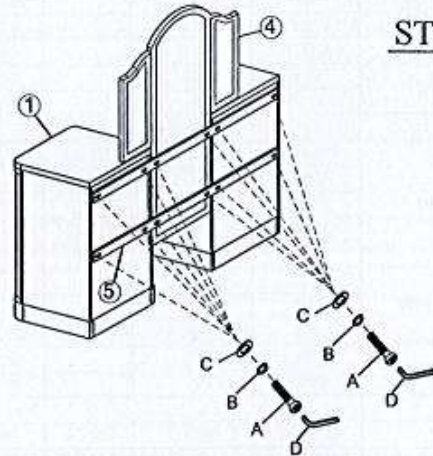


HARDWARE LISTS				PARTS LIST			
NO:	COMPONENT		Q'TY	NO.	DESCRIPTION	SKETCH	Q'TY
				(1)	BASE (Left & right)		2PCS
A	JCBC Bolt 1/4" *20*1-1/2"L		16	(2)	DRAWER BOX		1PC
B	Spring Washer 1/4" Dia		16	(3)	TIPPING RESTRAINT		1PC
C	Flat Washer 1/4" Dia		16	(4)	MIRROR		1PC
D	Allen Key		2	(5)	MIRROR SUPPORT		2PCS

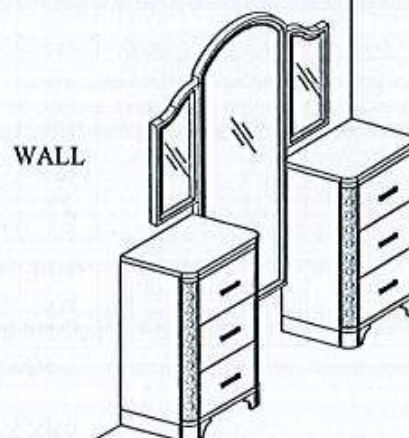
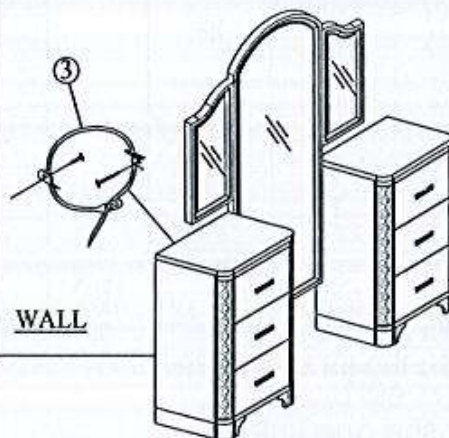
STEP 1



STEP 2



STEP 3

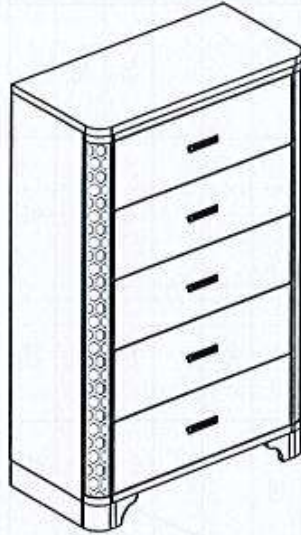


ASSEMBLY INSTRUCTIONS



CHEST

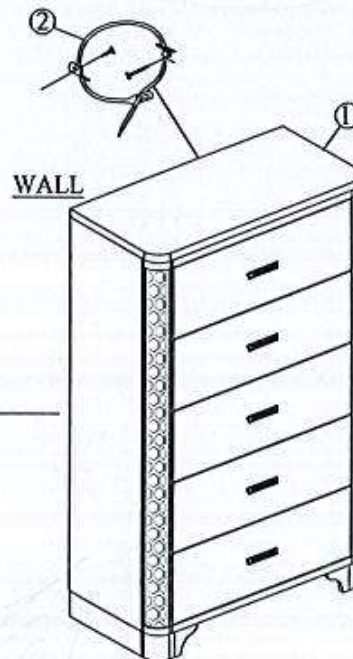
Caution: Please read instructions thoroughly before unpacking assembly parts. Sharp, exposed staple tips can cause injury, therefore, for your protection, please remove any exposed staple used in packing.

1. We recommend that you should assemble this product with the assistance of another person; this will make assembly easier, and will help to eliminate damage to the product or injury to persons during assembly.
2. Be sure to check all packing materials carefully for small parts that may have come loose inside the carton during shipment.
3. please do not over tighten screws or bolts.
4. Please put all parts on a non-abrasive floor before assembly, and follow the assembly steps to assemble your newly purchased product correctly and efficiently.



PARTS LIST

NO.	DESCRIPTION	SKETCH	QTY
(1)	BASE		1PC
(2)	TIPPING RESTRAINT		1PC

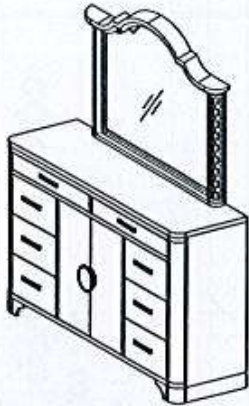


ASSEMBLY INSTRUCTIONS

DRESSER&MIRROR

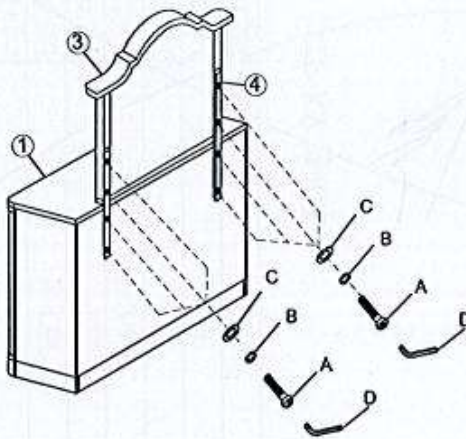
Caution: Please read instructions thoroughly before unpacking assembly parts. Sharp, exposed staple tips can cause injury, therefore, for your protection, please remove any exposed staple used in packing.

1. We recommend that you should assemble this product with the assistance of another person; this will make assembly easier, and will help to eliminate damage to the product or injury to persons during assembly.
2. Be sure to check all packing materials carefully for small parts that may have come loose inside the carton during shipment.
3. please do not over tighten screws or bolts.
4. Please put all parts on a non-abrasive floor before assembly, and follow the assembly steps to assemble your newly purchased product correctly and efficiently.

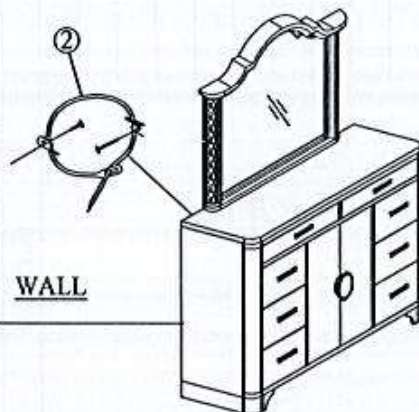


HARDWARE LISTS				PARTS LIST			
NO:	COMPONENT		QTY	NO.	DESCRIPTION	SKETCH	QTY
A	JCBC Bolt 1/4" *20*1-1/2"L		8	(1)	BASE		1PC
B	Spring Washer 1/4" Dia		8	(2)	TIPPING RESTRAINT		1PC
C	Flat Washer 1/4" Dia		8	(3)	MIRROR		1PC
D	Allen Key		1	(4)	MIRROR SUPPORT		2PCS

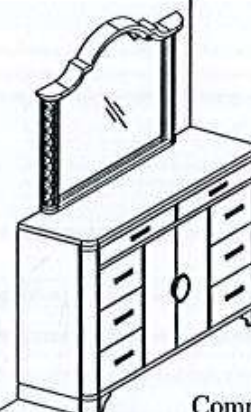
STEP 1



STEP 2



WALL




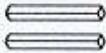




Completed

ASSEMBLY INSTRUCTIONS

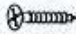
QUEEN BED

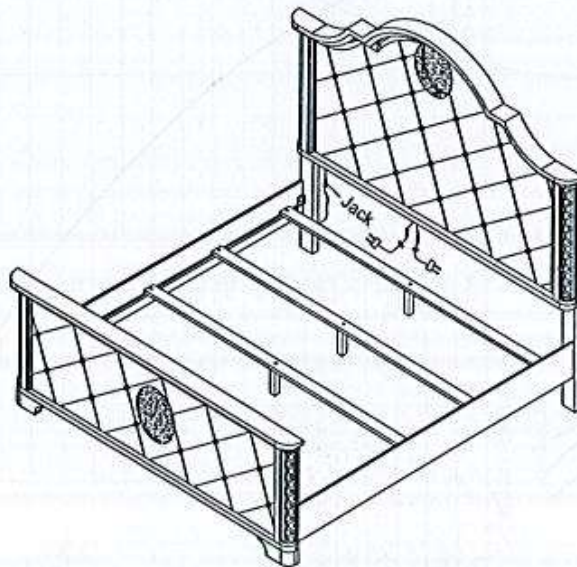
Caution: Please read instructions thoroughly before unpacking assembly parts. Sharp, exposed staple tips can cause injury, therefore, for your protection, please remove any exposed staple used in packing.

1. We recommend that you should assemble this product with the assistance of another person; this will make assembly easier, and will help to eliminate damage to the product or injury to persons during assembly.
2. Be sure to check all packing materials carefully for small parts that may have come loose inside the carton during shipment.
3. please do not over tighten screws or bolts.
4. Please put all parts on a non-abrasive floor before assembly, and follow the assembly steps to assemble your newly purchased product correctly and efficiently.

No.	Parts List		Q'Ty
A		Headboard Panel	1PC
B		L/R Posts	2 pieces
C		Footboard	1PC
D		Side Rail	2 pieces
E		Bed Slat	4 pieces
F		Slat Support Leg	4 pieces

Hardware List			
1		Allen Key (L57*4mm)	1PC
2		JCBC Bolt 5/16" * 1-7/8"L	6 Pieces
		Spring Washer (Ø5/16" * 13 * 1.2)	6 Pieces
		Flat Washer (Ø5/16" * 19 * 1.8)	6 Pieces
3		JCBC Bolt 5/16" * 1.1/4"L	8 Pieces
		Spring Washer (Ø5/16" * 13 * 1.2)	8 Pieces
		Flat Washer (Ø5/16" * 19 * 1.8)	8 Pieces

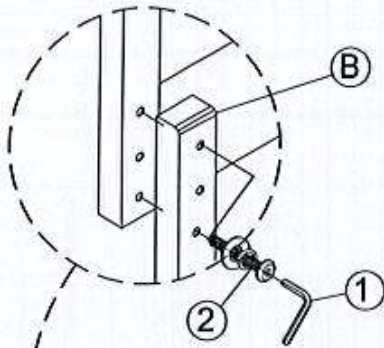
Hardware Bag for Footboard			
4		Wood Screw(Ø4*25mm)	8 pieces



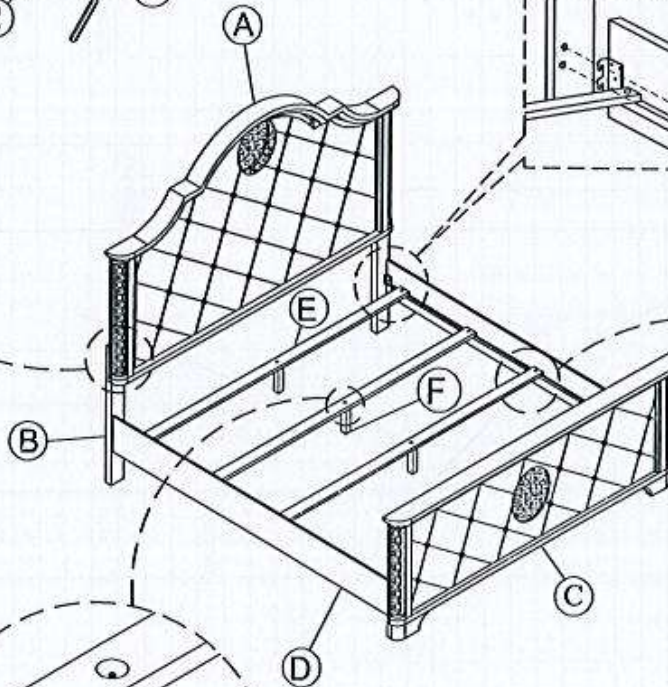
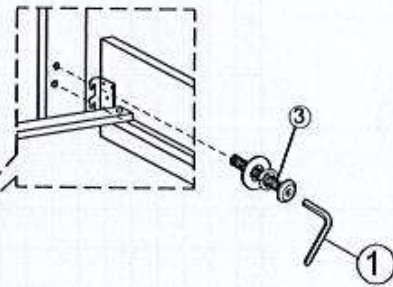
ASSEMBLY INSTRUCTIONS

QUEEN BED

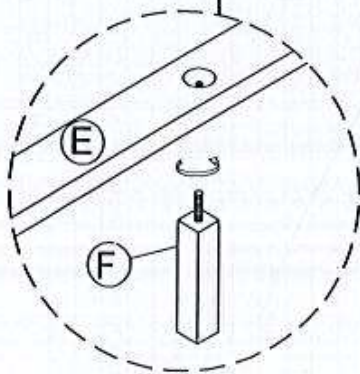
STEP-1



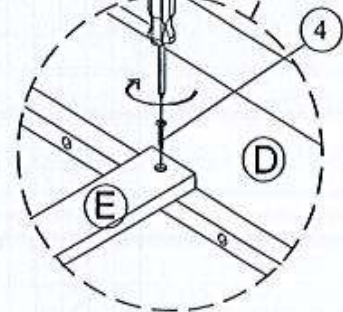
STEP-2



NOT INCLUDED



STEP-3









STEP-4




ASSEMBLY INSTRUCTIONS

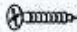
KING BED

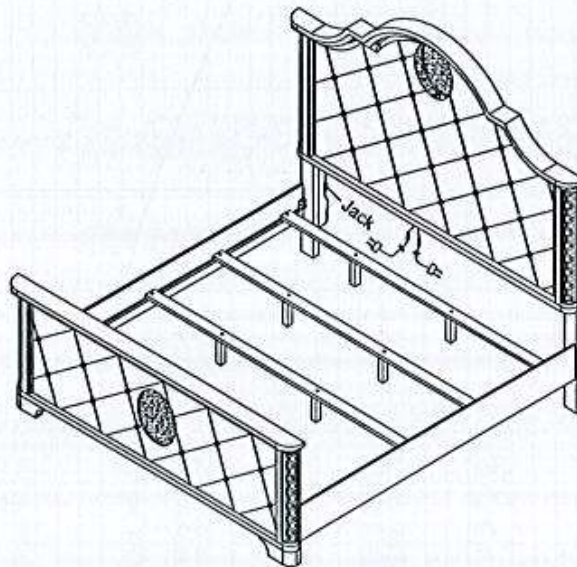
Caution: Please read instructions thoroughly before unpacking assembly parts. Sharp, exposed staple tips can cause injury, therefore, for your protection, please remove any exposed staple used in packing.

1. We recommend that you should assemble this product with the assistance of another person; this will make assembly easier, and will help to eliminate damage to the product or injury to persons during assembly.
2. Be sure to check all packing materials carefully for small parts that may have come loose inside the carton during shipment.
3. please do not over tighten screws or bolts.
4. Please put all parts on a non-abrasive floor before assembly, and follow the assembly steps to assemble your newly purchased product correctly and efficiently.

No.	Parts List		Q'Ty
A		Headboard Panel	1PC
B		L/R Posts	2 pieces
C		Footboard	1PC
D		Side Rail	2 pieces
E		Bed Slat	4 pieces
F		Slat Support Leg	8 pieces

Hardware List			
1		Allen Key (L57*4mm)	1PC
2		JCBC Bolt 5/16" *1-7/8"L	6 Pieces
		Spring Washer (Ø5/16" * 13 *1.2)	6 Pieces
		Flat Washer (Ø5/16" *19 * 1.8)	6 Pieces
3		JCBC Bolt 5/16" *1.1/4"L	8 Pieces
		Spring Washer (Ø5/16" * 13 *1.2)	8 Pieces
		Flat Washer (Ø5/16" *19 * 1.8)	8 Pieces

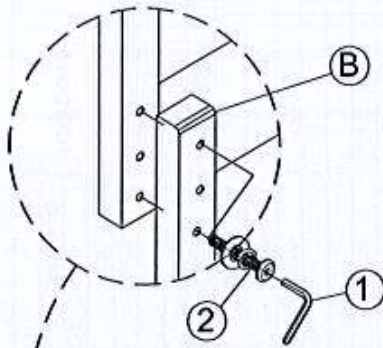
Hardware Bag for Footboard			
4		Wood Screw(Ø4*25mm)	8 pieces



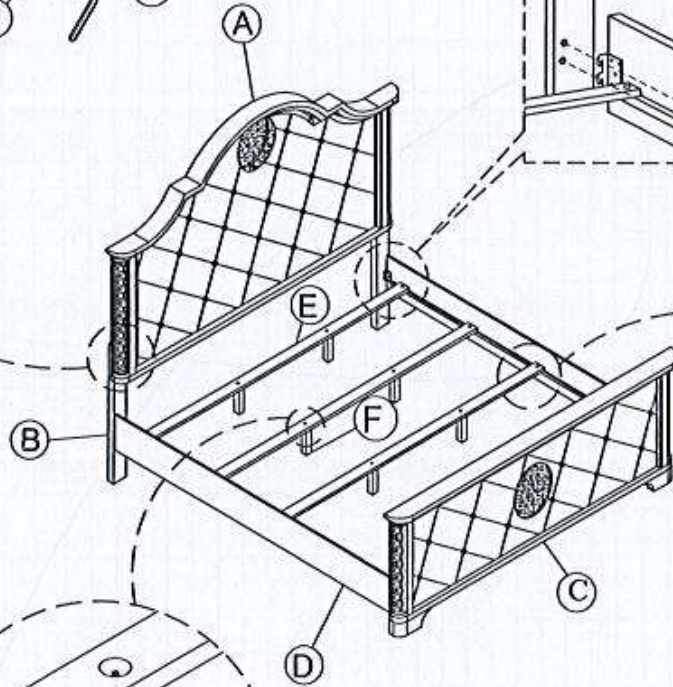
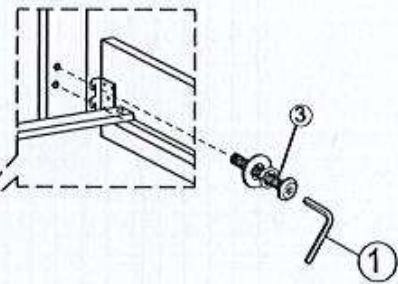
ASSEMBLY INSTRUCTIONS

KING BED

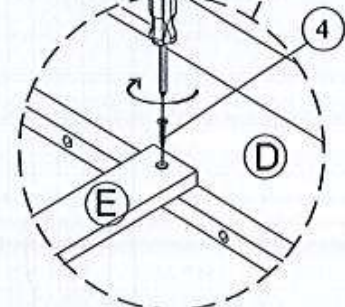
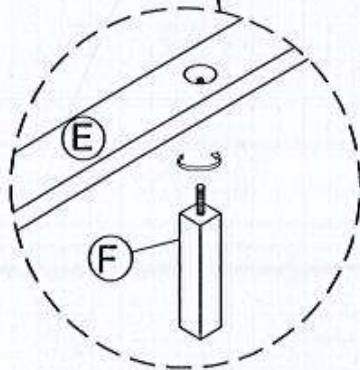
STEP-1



STEP-2



NOT INCLUDED



STEP-3

STEP-4



ASSEMBLY INSTRUCTIONS

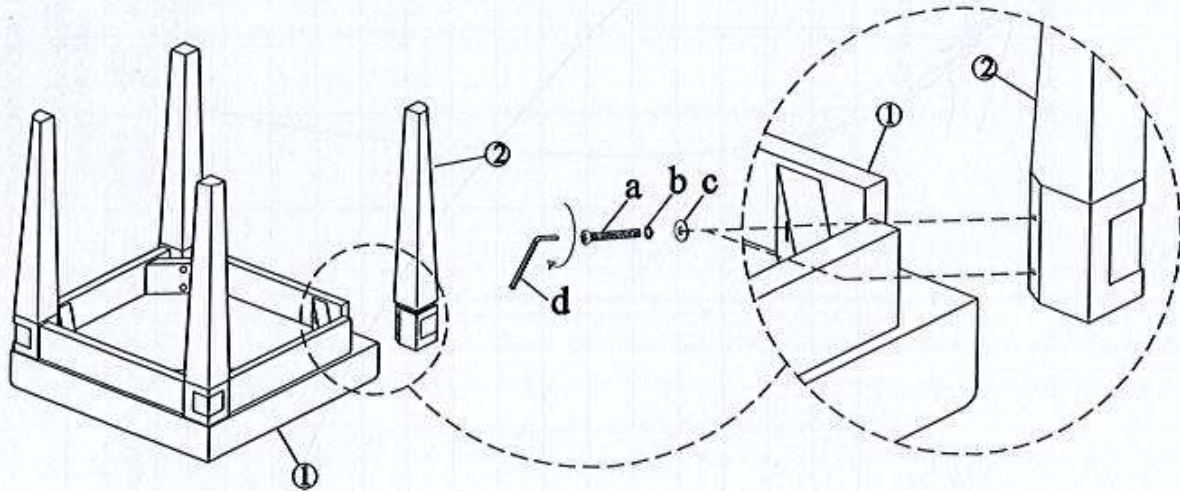
STOOL

Caution: Please read instructions thoroughly before unpacking assembly parts. Sharp, exposed staple tips can cause injury, therefore, for your protection, please remove any exposed staple used in packing. this will make assembly easier, and will help to eliminate damage to the product or injury to persons during assembly.

1. We recommend that you should assemble this product with the assistance of another person;
2. Be sure to check all packing materials carefully for small parts that may have come loose inside the carton during shipment.
3. please do not over tighten screws or bolts.
4. Please put all parts on a non-abrasive floor before assembly, and follow the assembly steps to assemble your newly purchased product correctly and efficiently.

HARDWARE LISTS			
NO:	COMPONENT	Size	QTY
a	JCBC Bolt 5/16" *2"L		8pcs
b	Spring Washer 5/16" Dia		8pcs
c	Flat Washer 5/16" Dia		8pcs
d	Allen Key		1pc

PART LISTS			
NO.	DESCRIPTION	SKETCH	QTY
(1)	STOLL CUSHION SEAT FRAME		1PC
(2)	STOOL LEG		4PCS



FINAL

