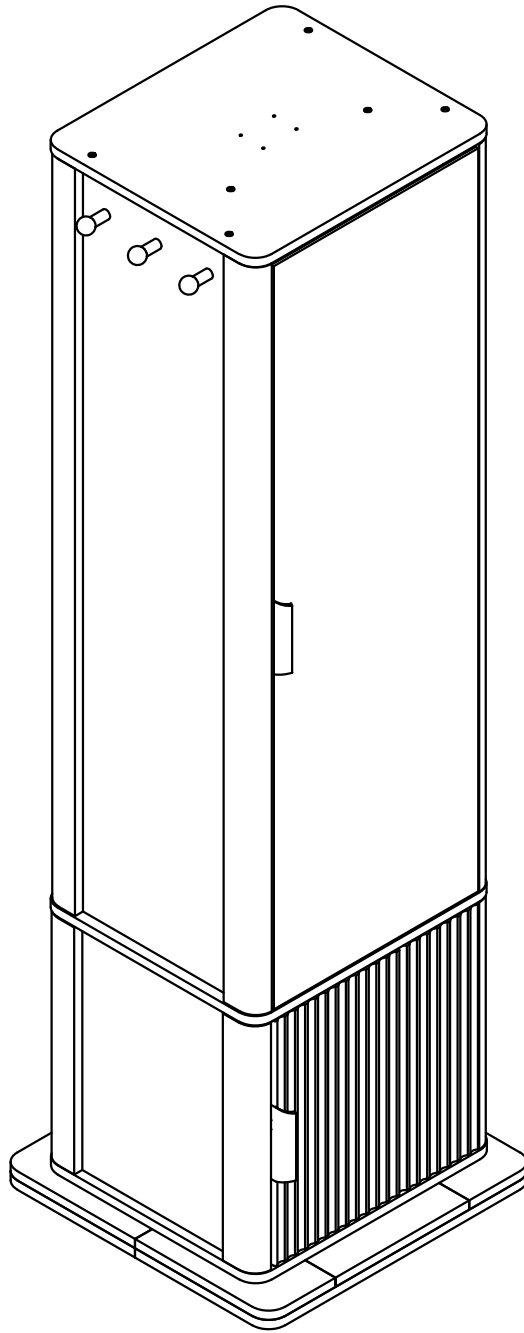
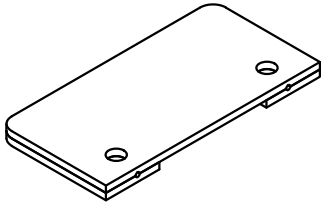


INSTALLATION INSTRUCTION

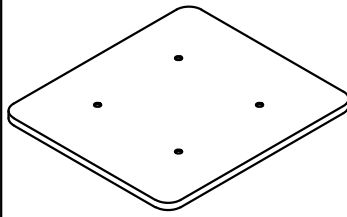
Please don't tighten the screws completely and go back later for a final tightening of all the screws after pieces are aligned with each other.



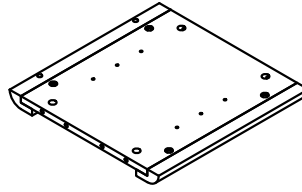
PARTS LITS



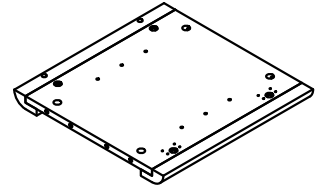
① X2PC



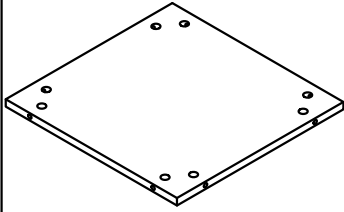
② X1PC



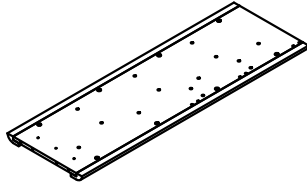
③ X1PC



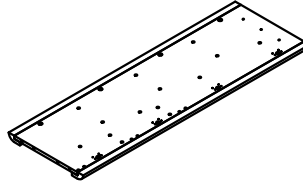
④ X1PC



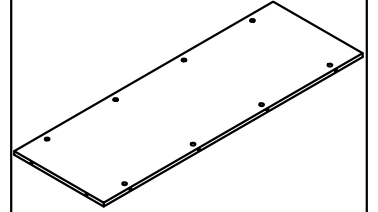
⑤ X1PC



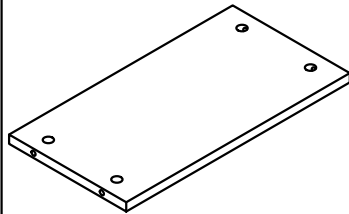
⑥ X1PC



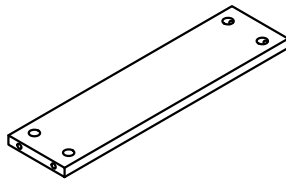
⑦ X1PC



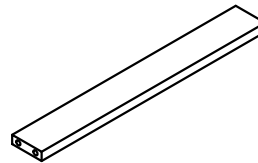
⑧ X1PC



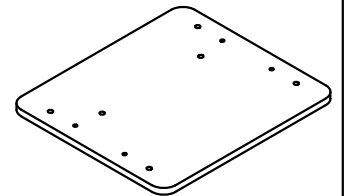
⑨ X3PC



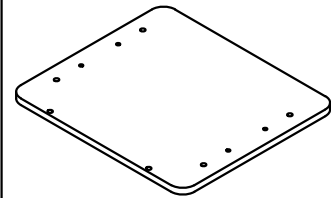
⑩ X2PC



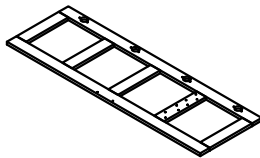
⑪ X3PC



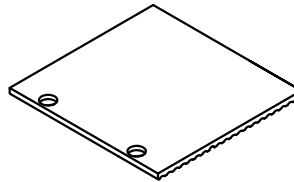
⑫ X1PC



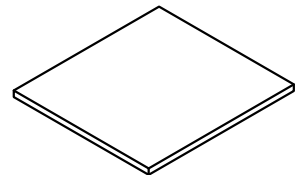
⑬ X1PC



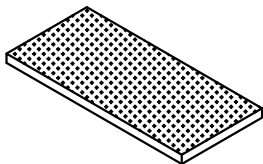
⑭ X1PC



⑮ X1PC

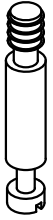
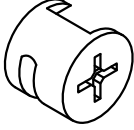
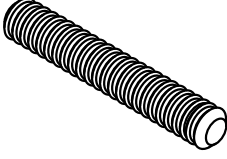
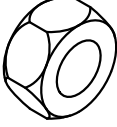
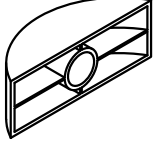

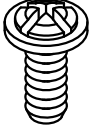


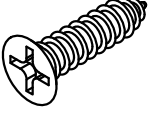
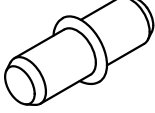
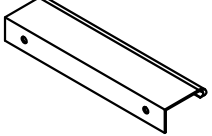
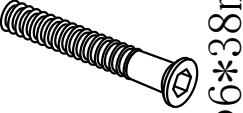
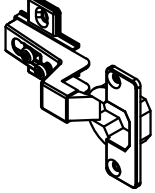
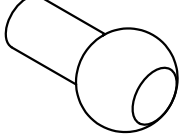

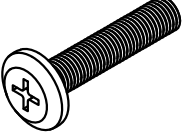
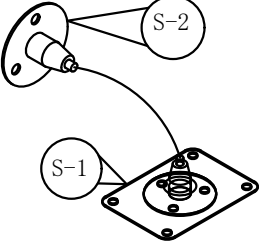

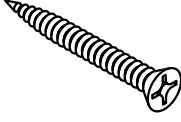

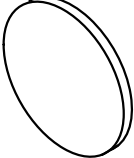
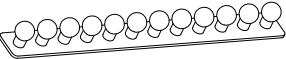
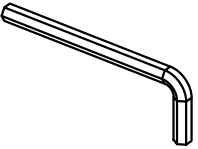


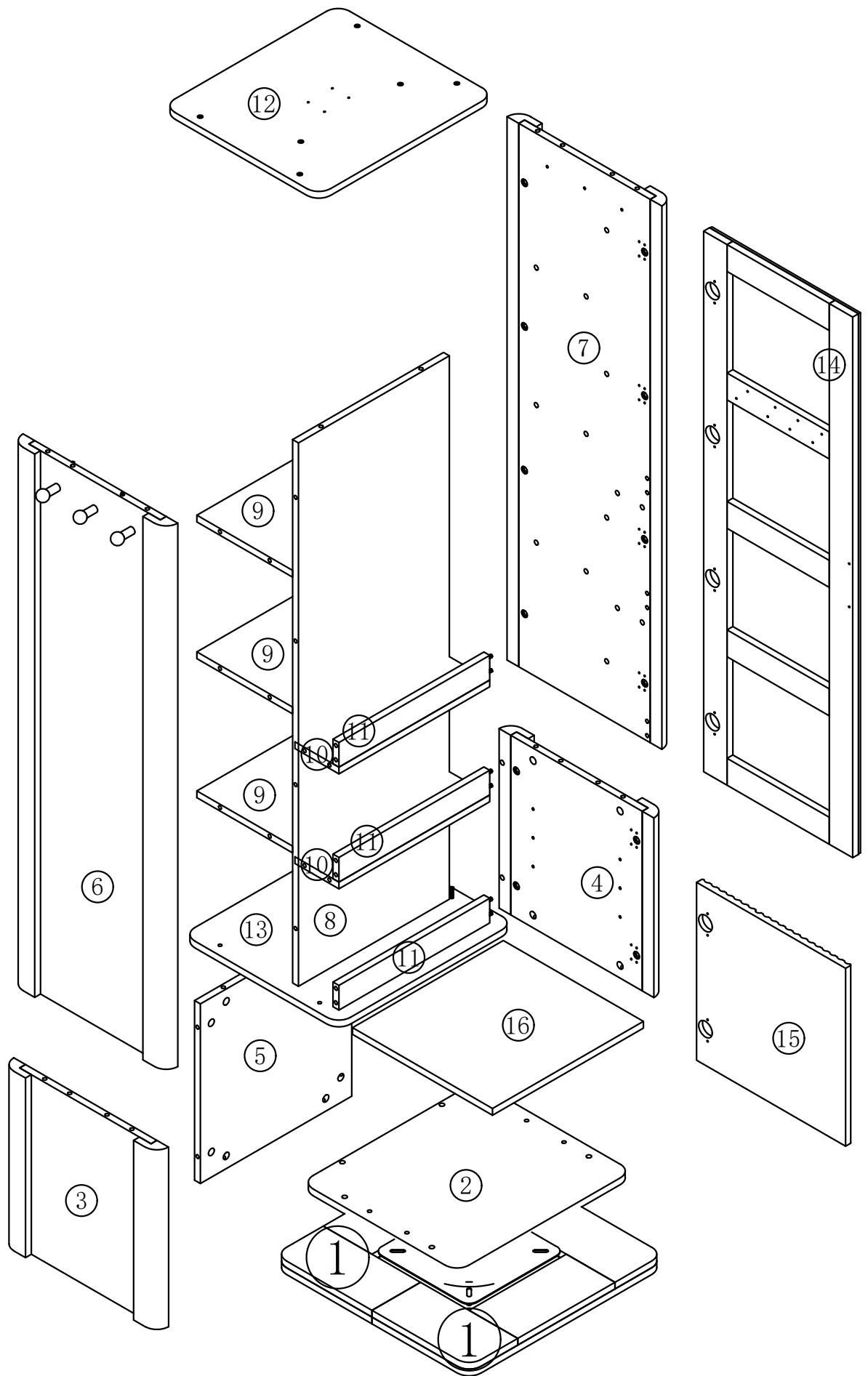
⑯ X1PC



⑰ X1PC

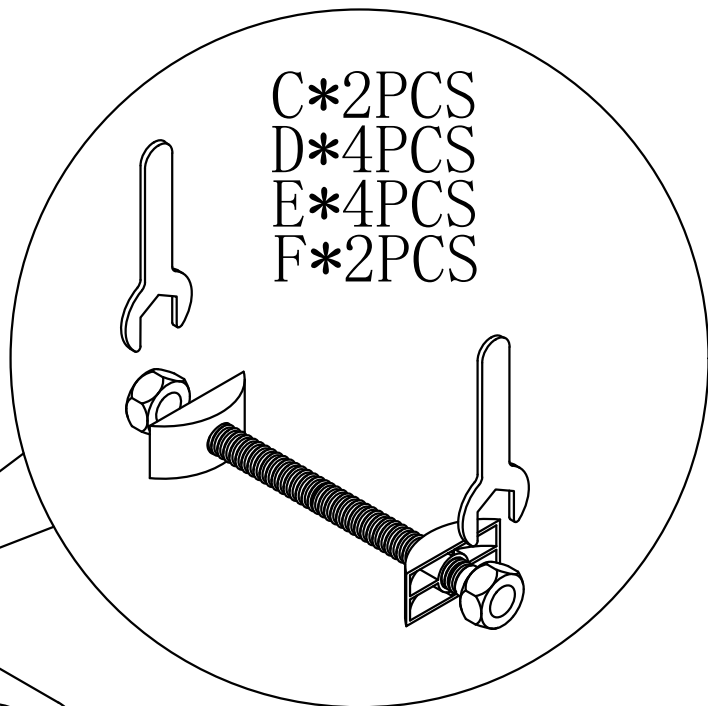
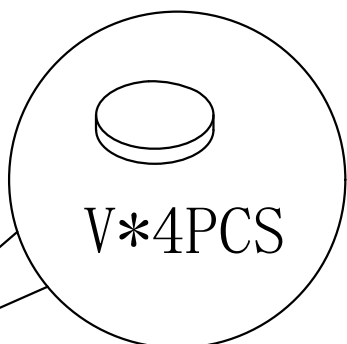
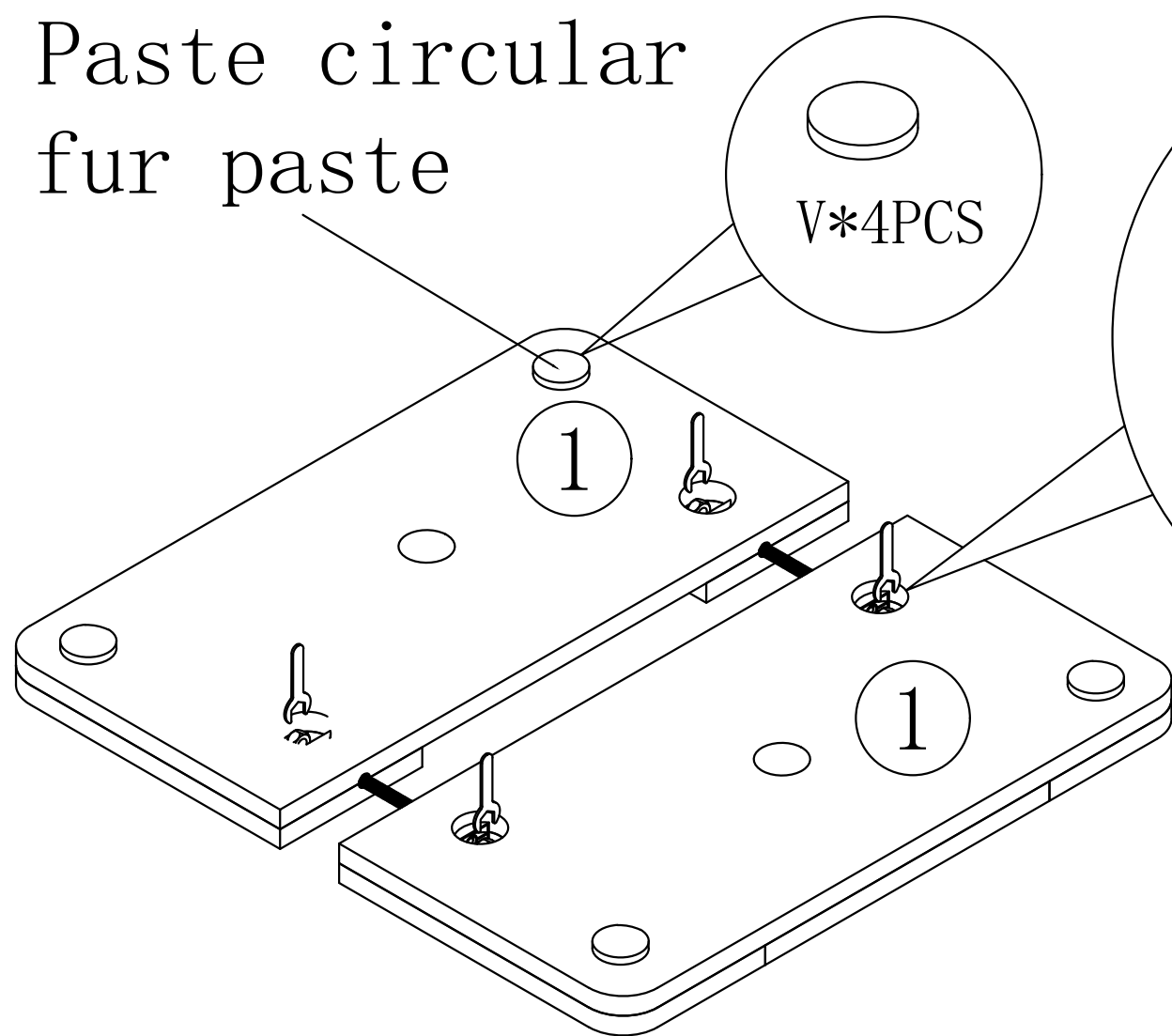
HARDWARE LIST

 <p>$\phi 6.5 * 28 \text{mm}$ A*44PCS</p>	 <p>$\phi 15 * 10 \text{mm}$ B*44PCS</p>	 <p>$\phi 8 * 100 \text{mm}$ C*2PCS</p>	 <p>$\phi 8 * 8 \text{mm}$ D*4PCS</p>
 <p>E*4PCS</p>	 <p>F*2PCS</p>	 <p>$\phi 6 * 10 \text{mm}$ G*8PCS</p>	 <p>H*1PCS</p>
 <p>$\phi 8 * 30 \text{mm}$ I*28PCS</p>	 <p>$\phi 3.5 * 14 \text{mm}$ J*48PCS</p>	 <p>K*4PCS</p>	 <p>L=120mm M*2PCS</p>
 <p>$\phi 6 * 38 \text{mm}$ L*12PCS</p>	 <p>Q*6PCS</p>	 <p>L=50mm O*6PCS</p>	 <p>P*8PCS</p>
 <p>$\phi 4 * 20 \text{mm}$ R*6PCS</p>	 <p>S-1 S-2 S*1PCS</p>	 <p>T*3PCS</p>	 <p>$\phi 4 * 40 \text{mm}$ U*3PCS</p>
 <p>V*4PCS</p>	 <p>W*8PCS</p>	 <p>Y*2PCS</p>	



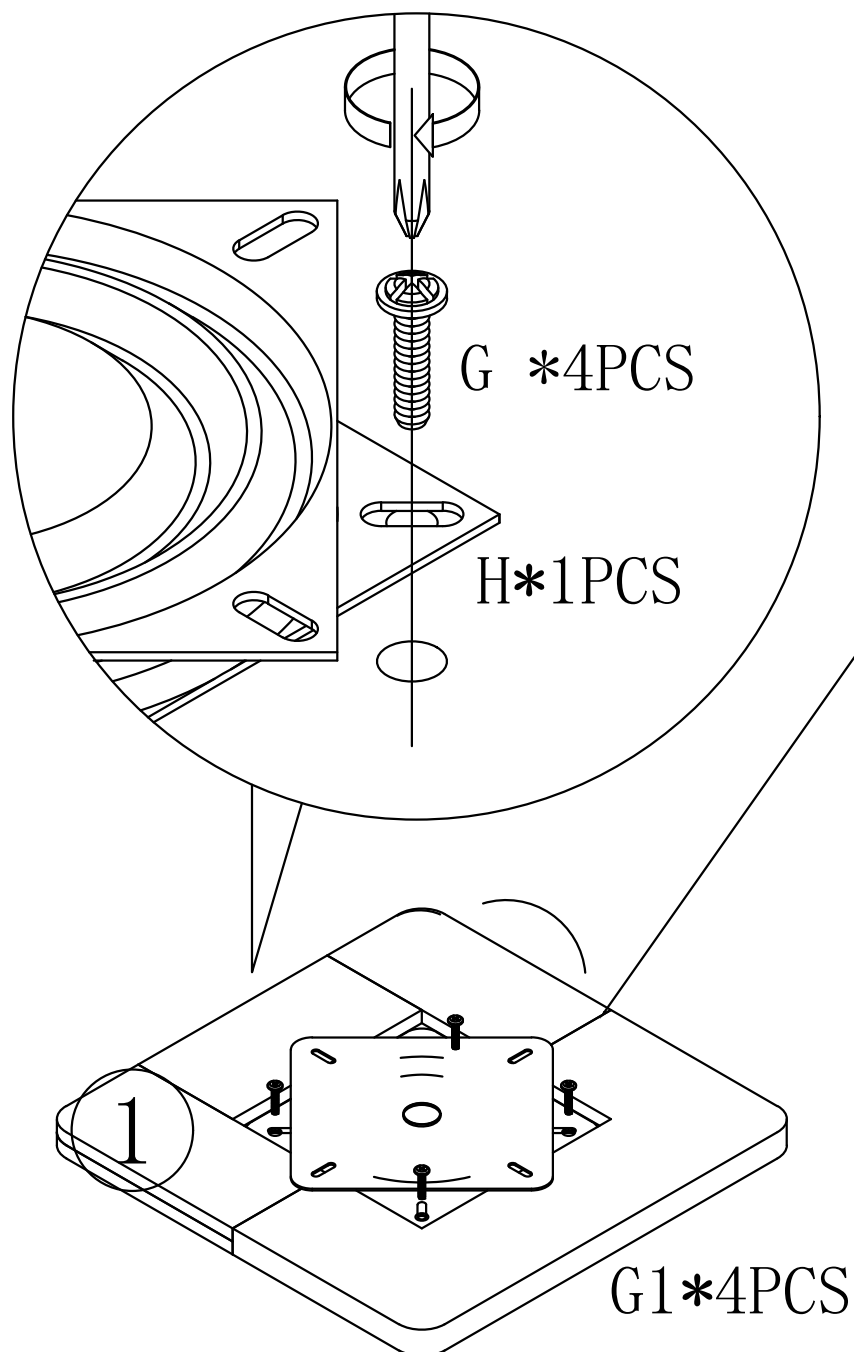
1

Paste circular fur paste



① *2PC	
V*4PCS	
C*2PCS	$\phi 8*100$
D*4PCS	
E*4PCS	
F*2PCS	

2

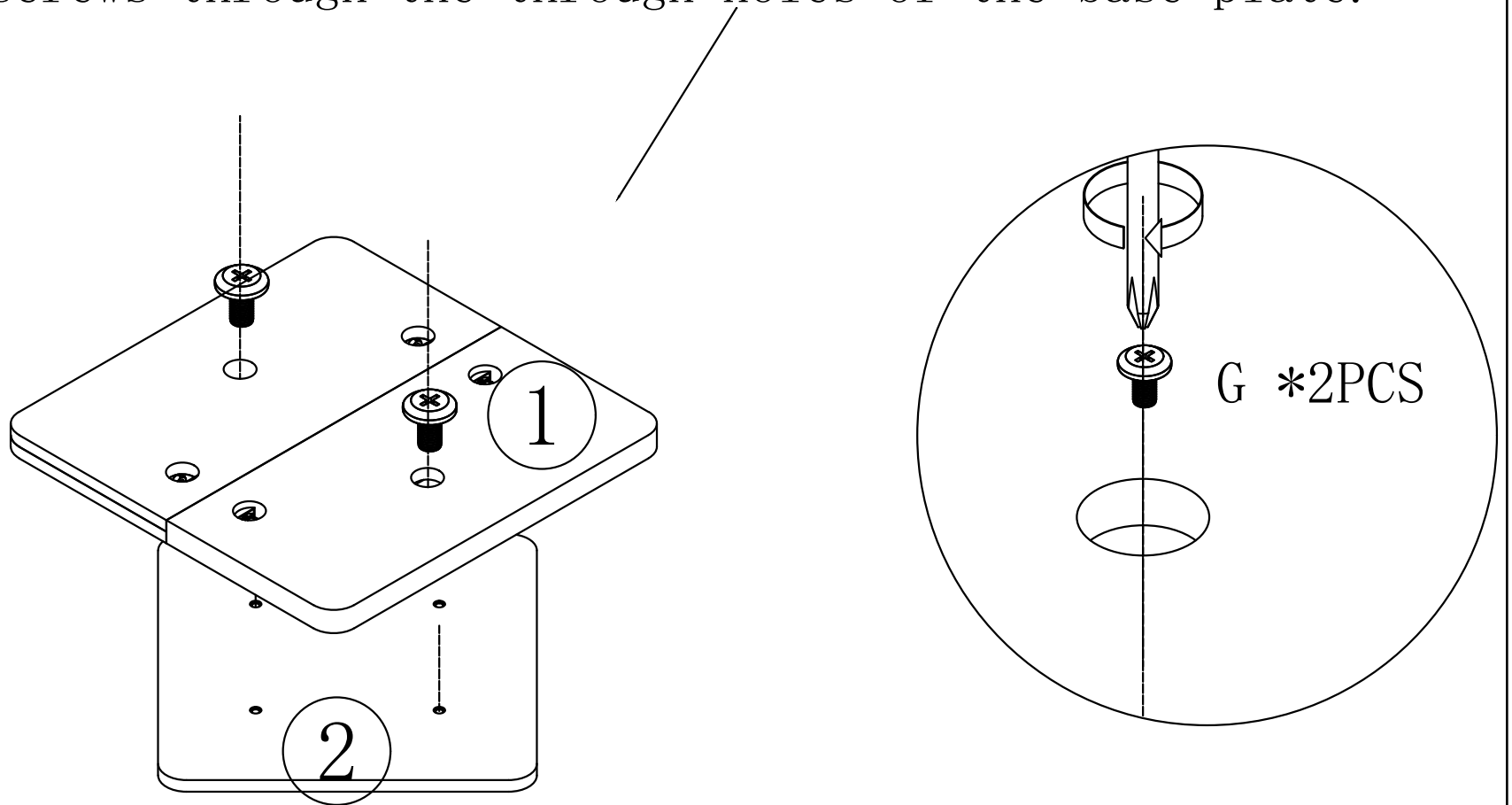



Rotate the upper layer of the turntable 45 degrees, align the lower hole with the bottom plate hole, and tighten it

G *4PCS	$\phi 6*10$
H *1PCS	

3

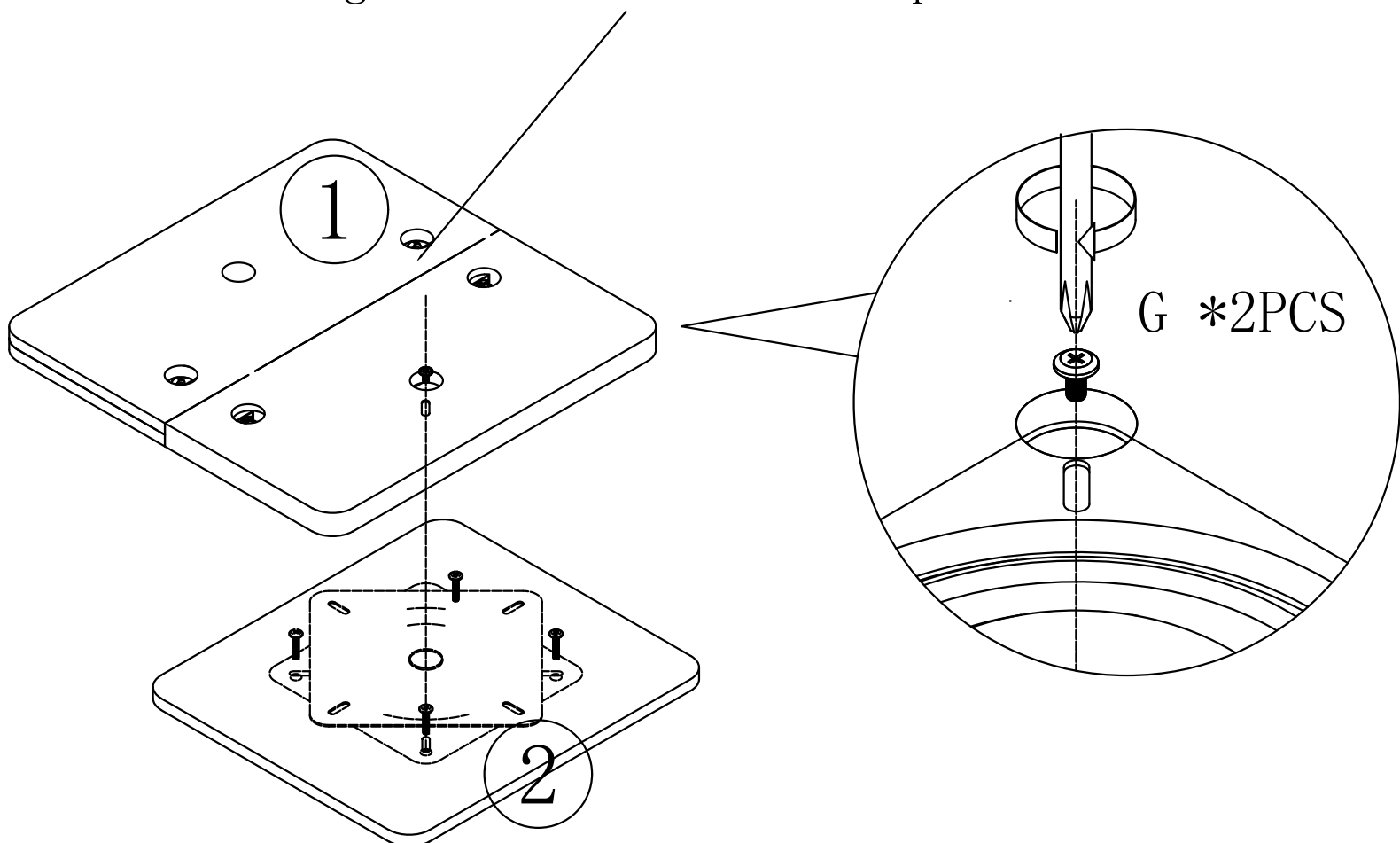
Rotate the locked base plate and the turntable by 45 degrees as shown in the figure. First, fasten two screws through the through holes of the base plate.



② *1PC
G *2PCS  $\phi 6*10$

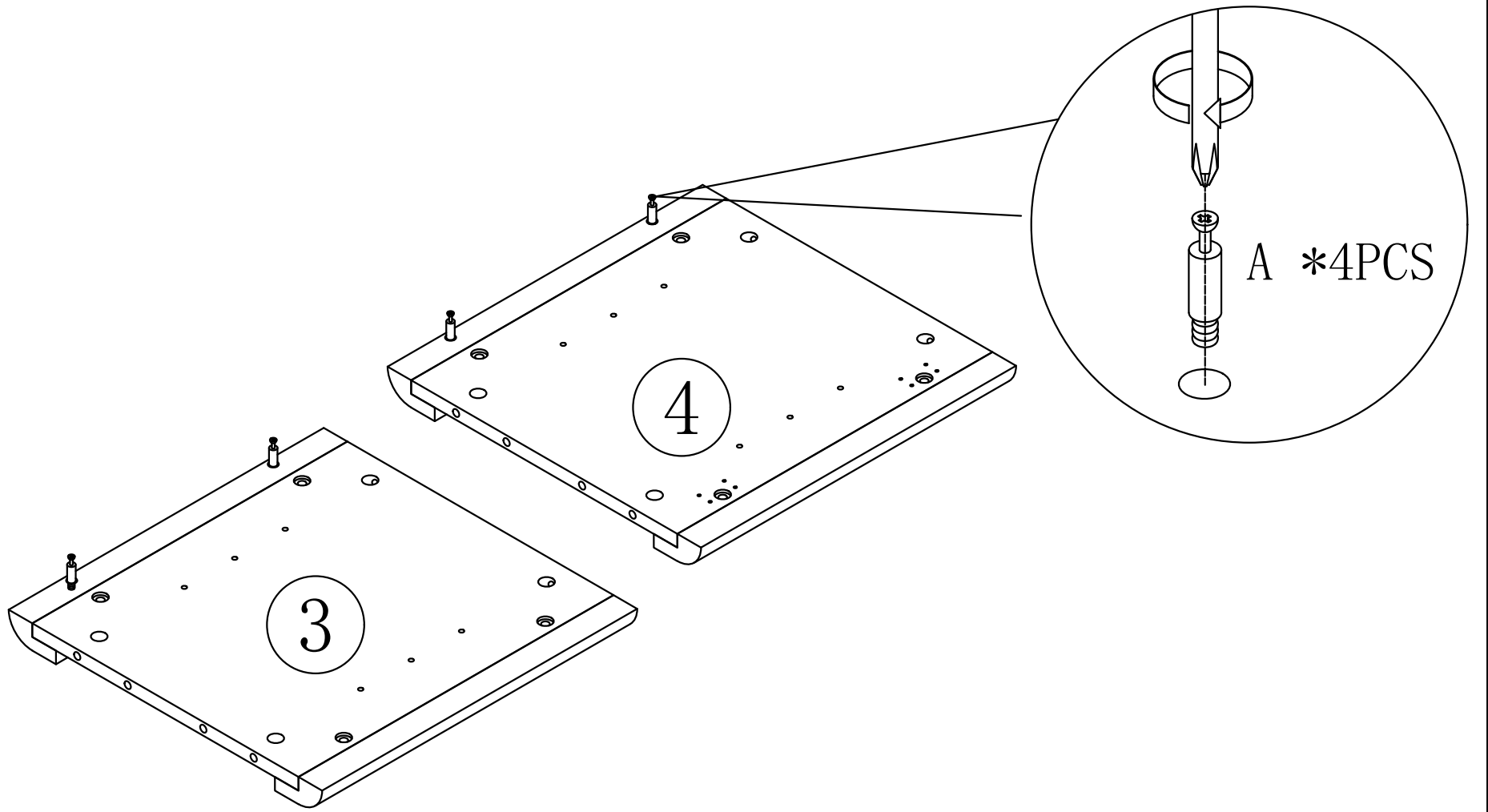
4


Rotate the base plate and the turntable again by 45 degrees as shown in the figure, and fasten the other two screws through the through holes of the base plate.



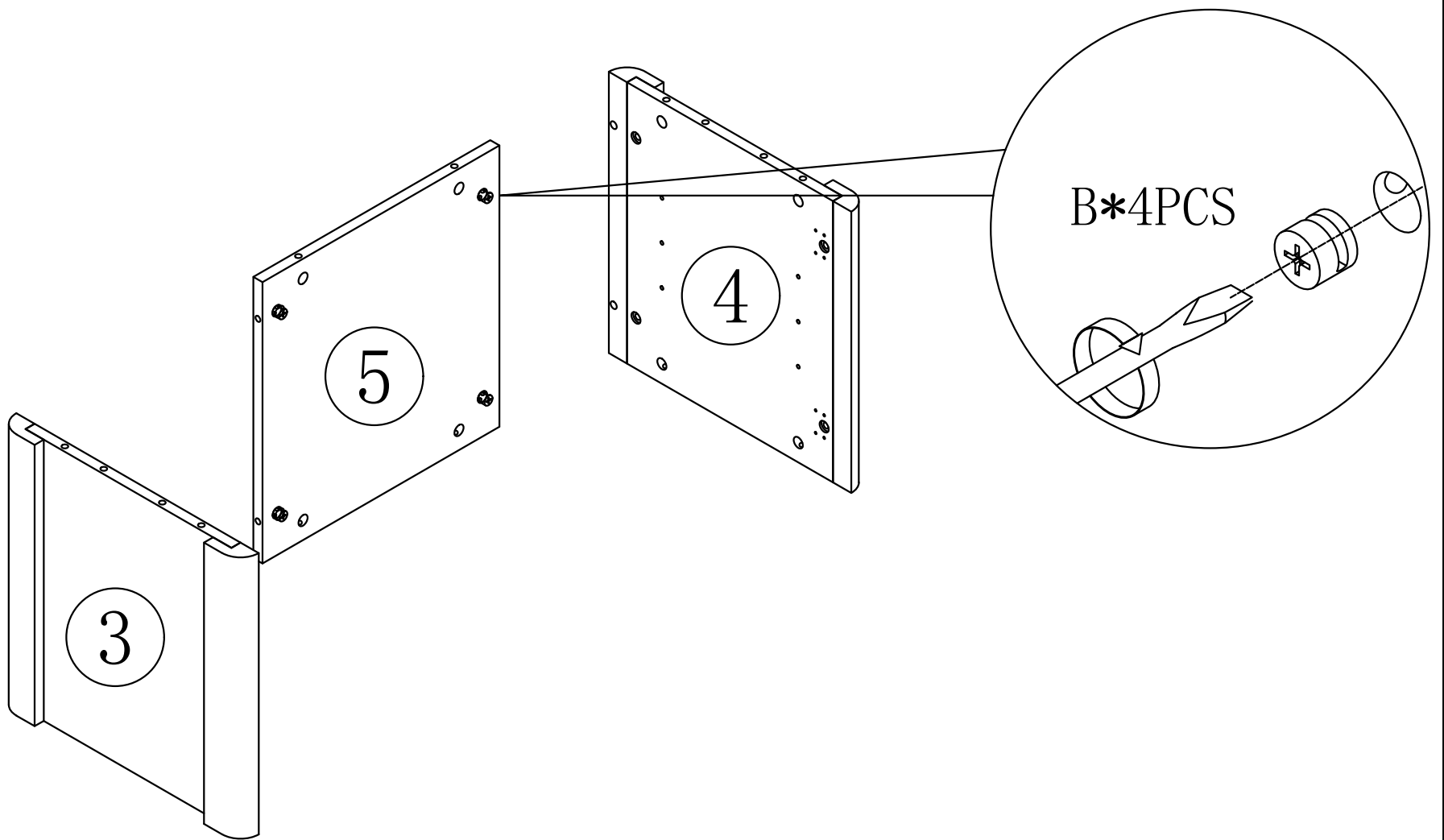
G *2PCS  $\phi 6*10$


5



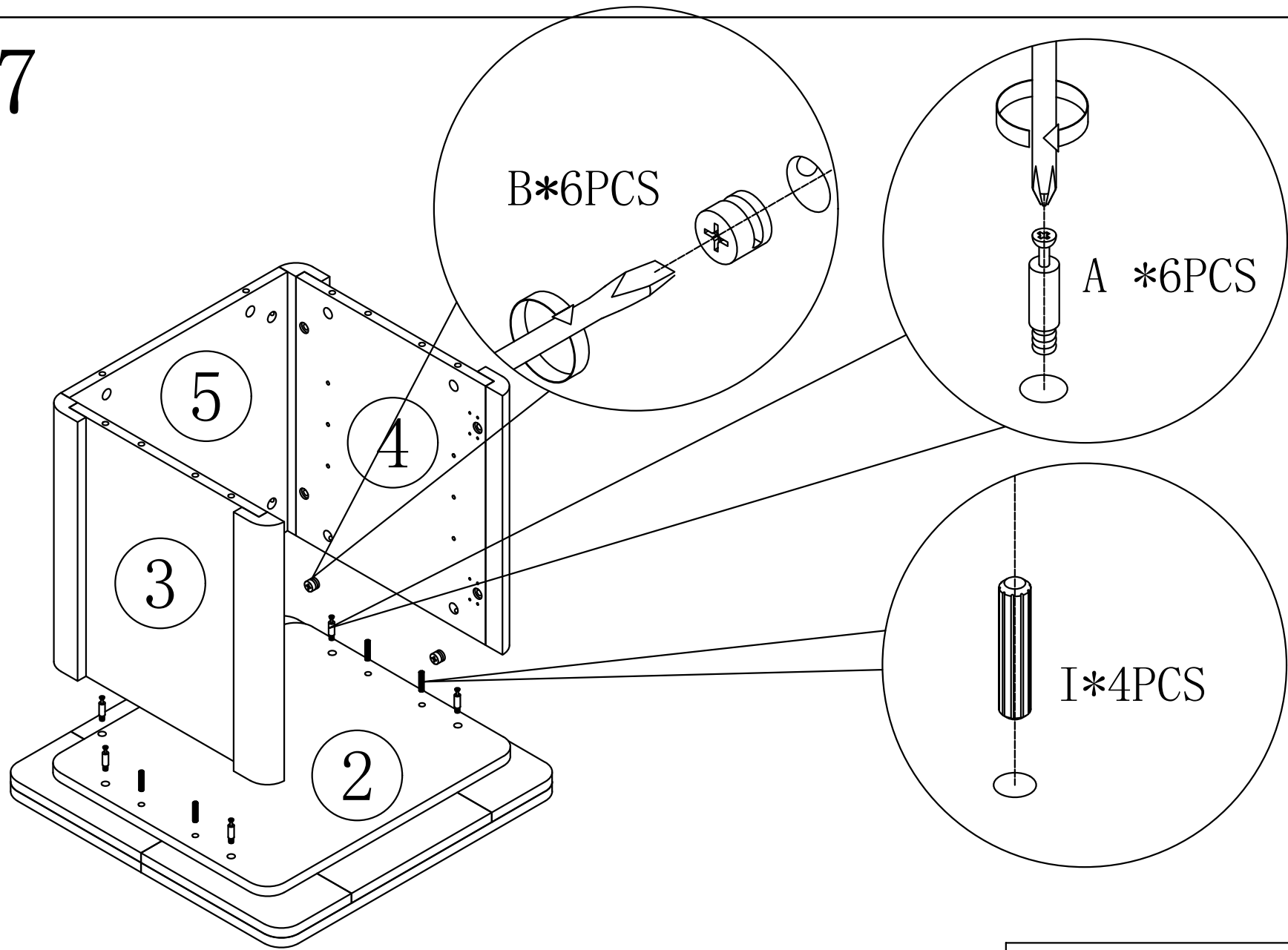
③ *1PCS	④ *1PCS
A *4PCS	 $\phi 6.5 * 28$




6



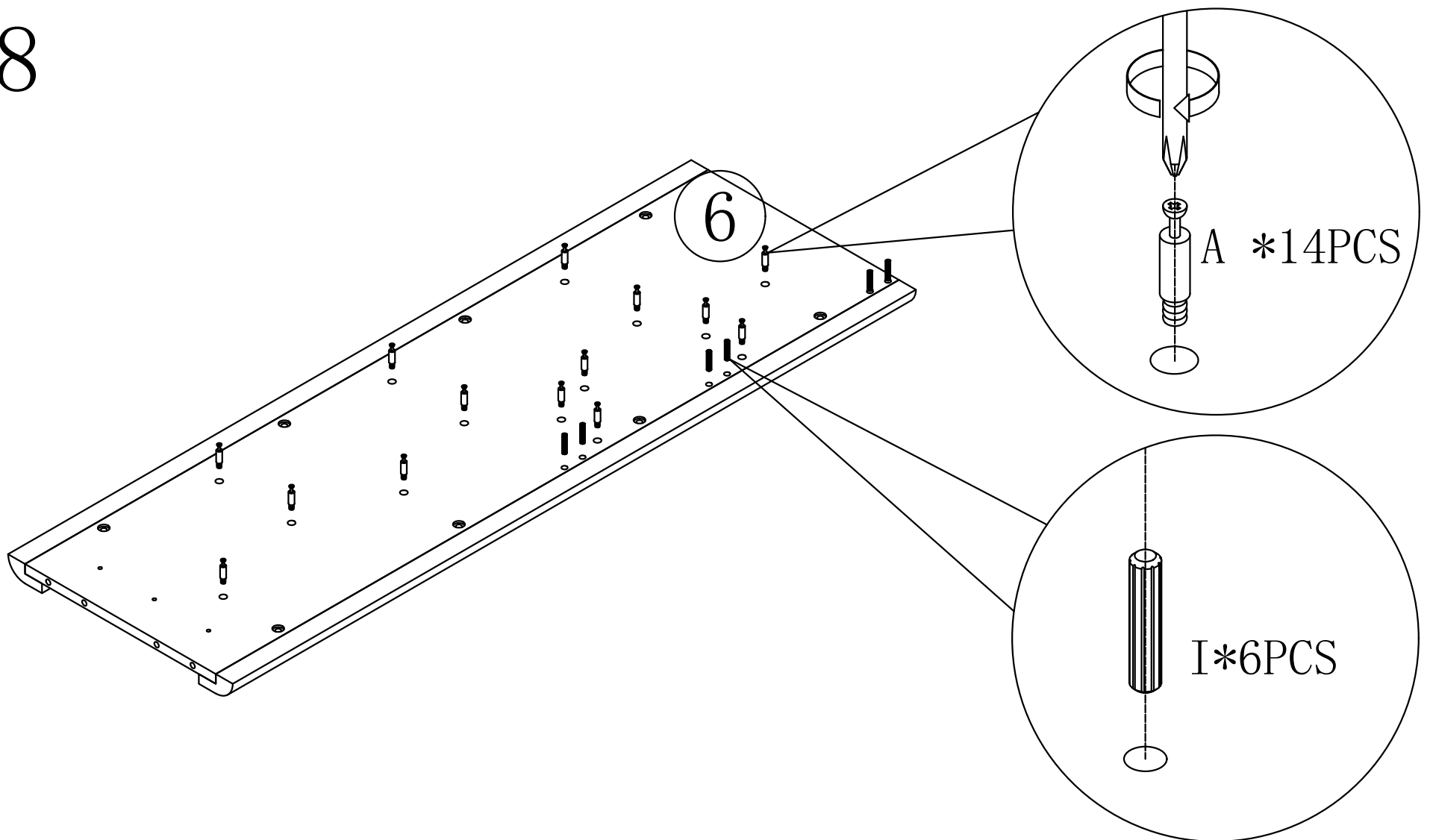
⑤ *1PCS
B *4PCS  $\phi 15 * 10$



7



A *6PCS		φ6.5*28
B *6PCS		φ15*10
I *4PCS		φ8*30

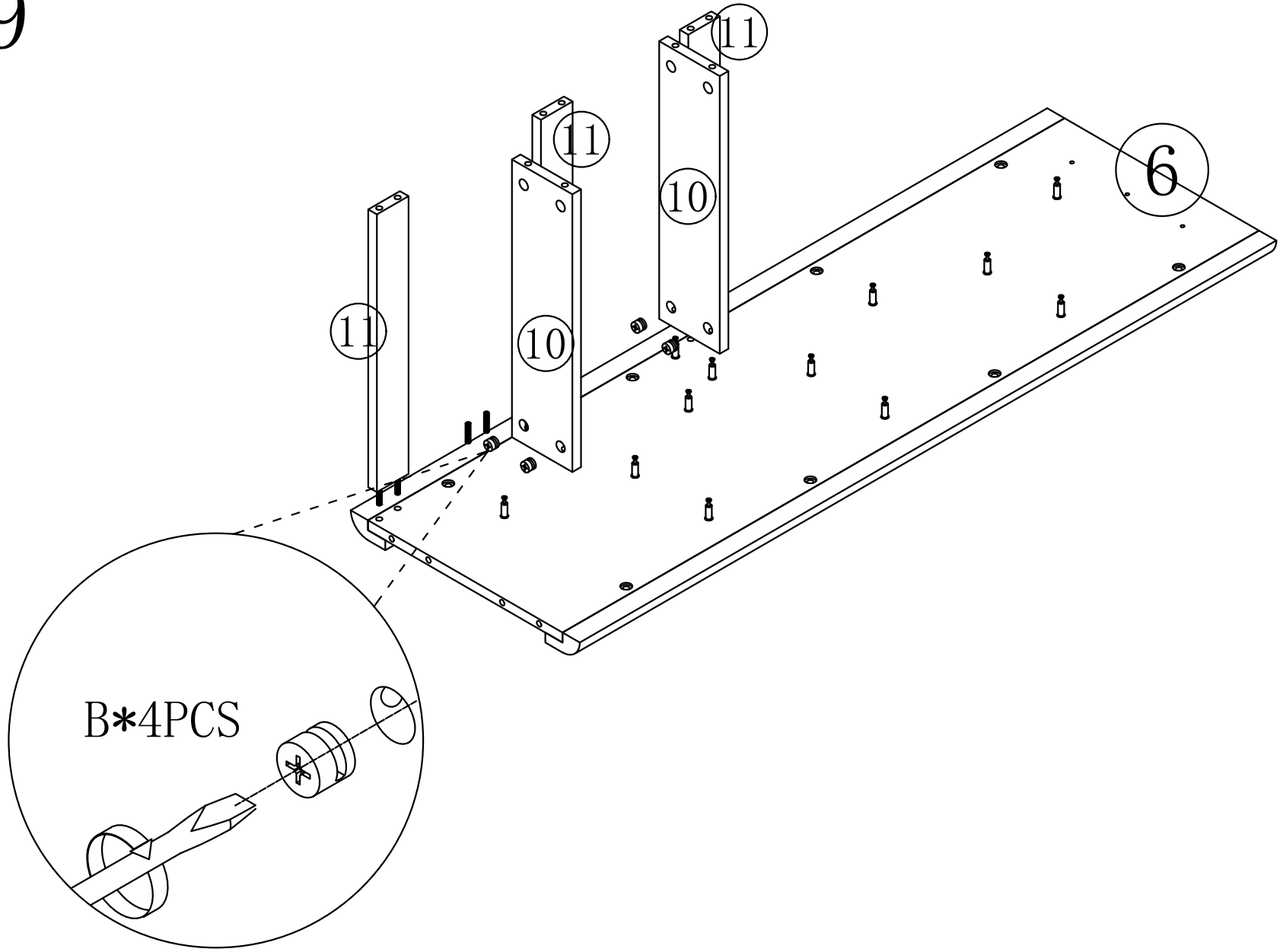
8



⑥ *1PCS		
A *14PCS		φ6.5*28
I *6PCS		φ8*30

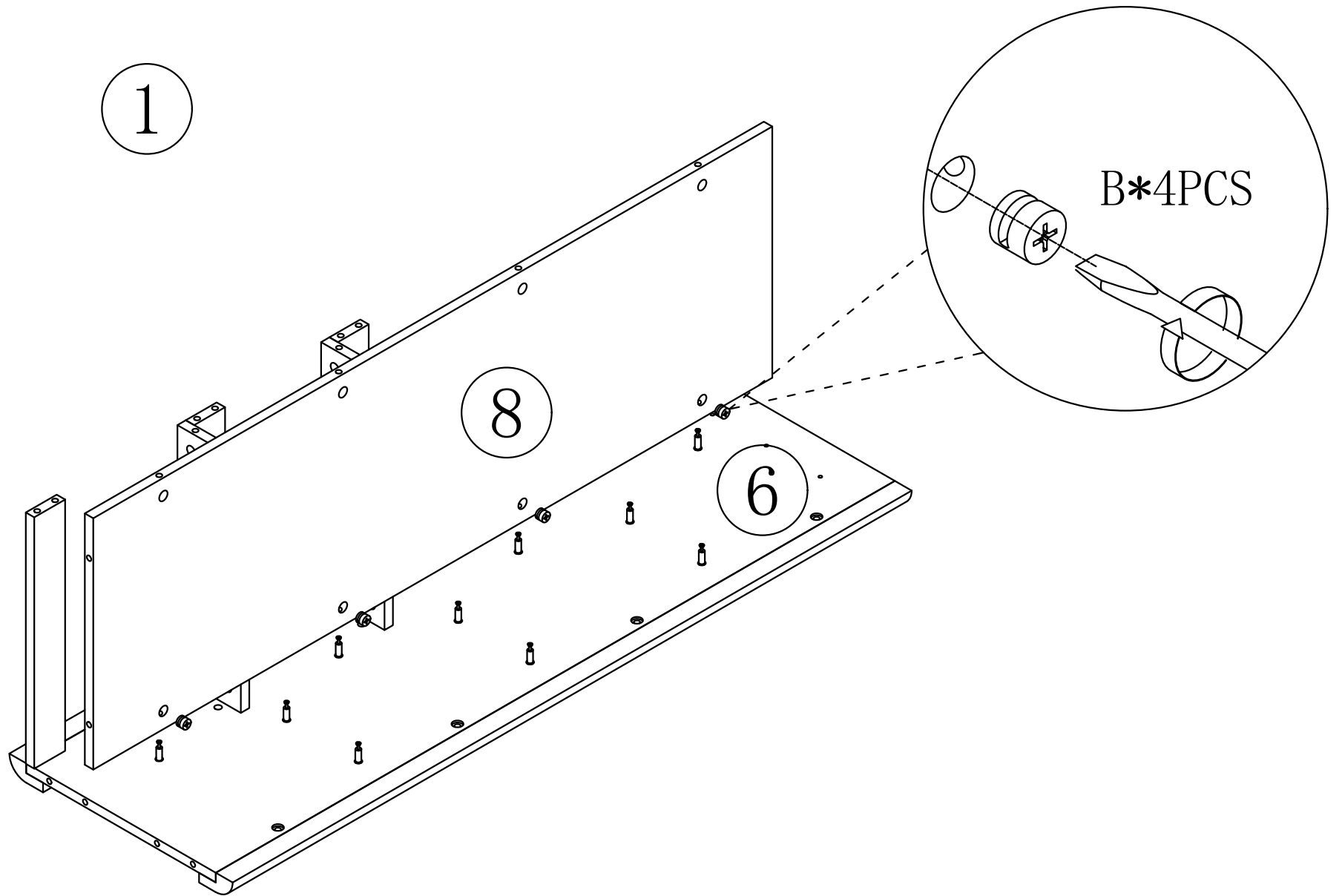
X2PCS

9



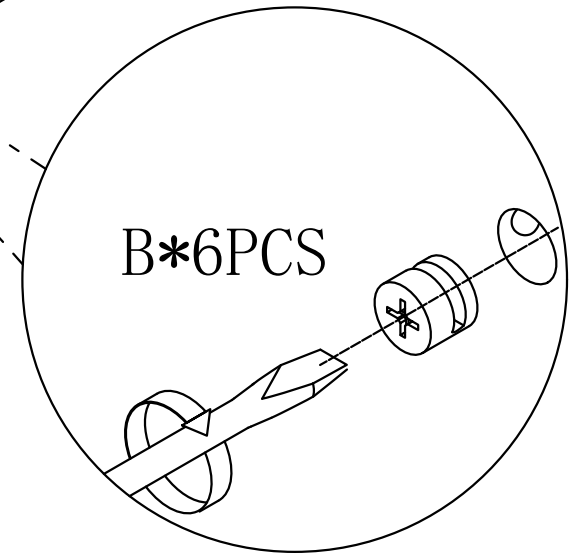
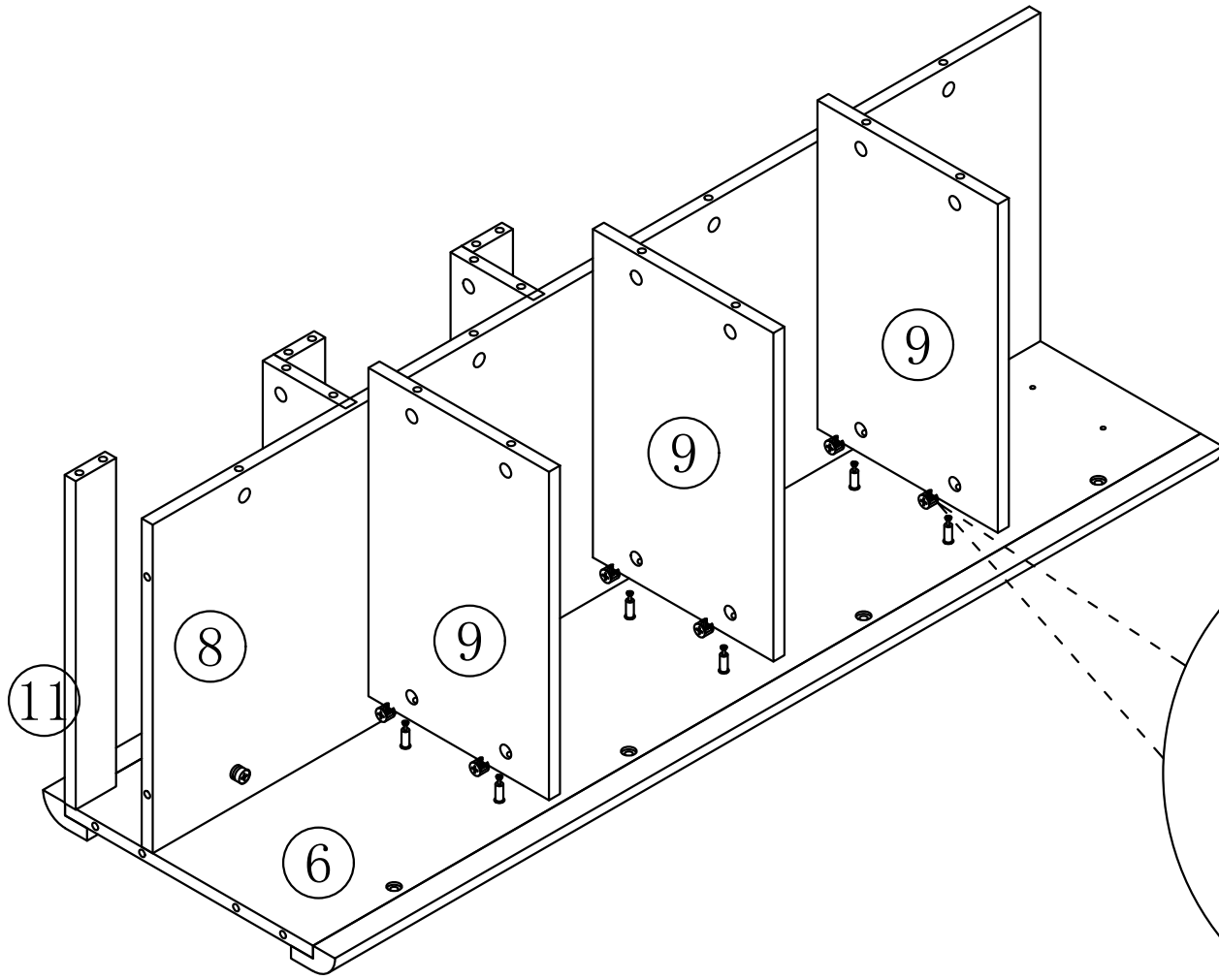
⑩ *2PCS ⑪ *3PCS
 B *4PCS Ⓜ ⌀15*10

10



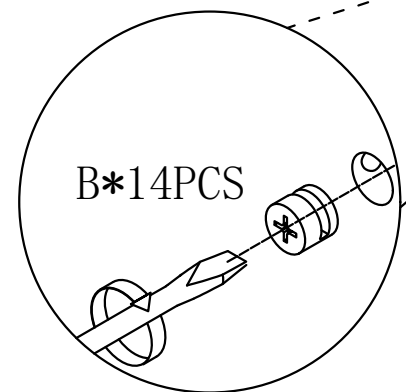
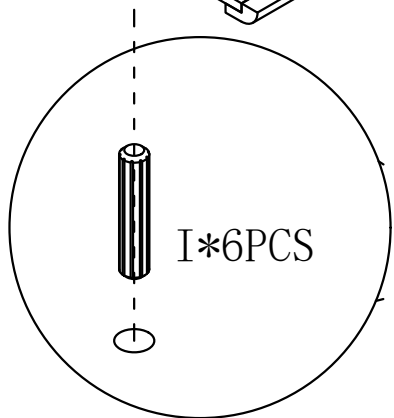
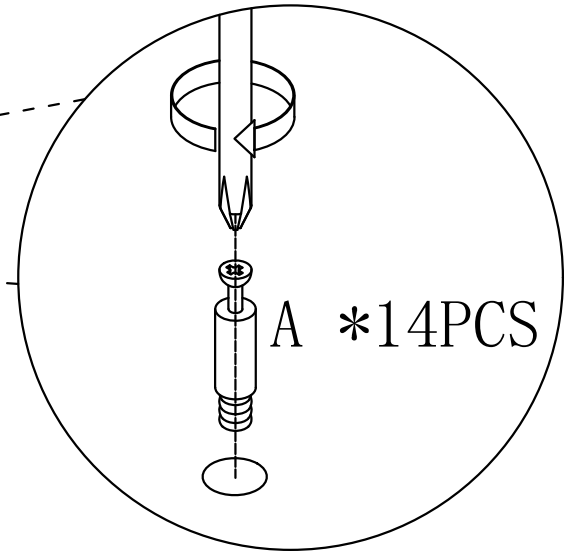
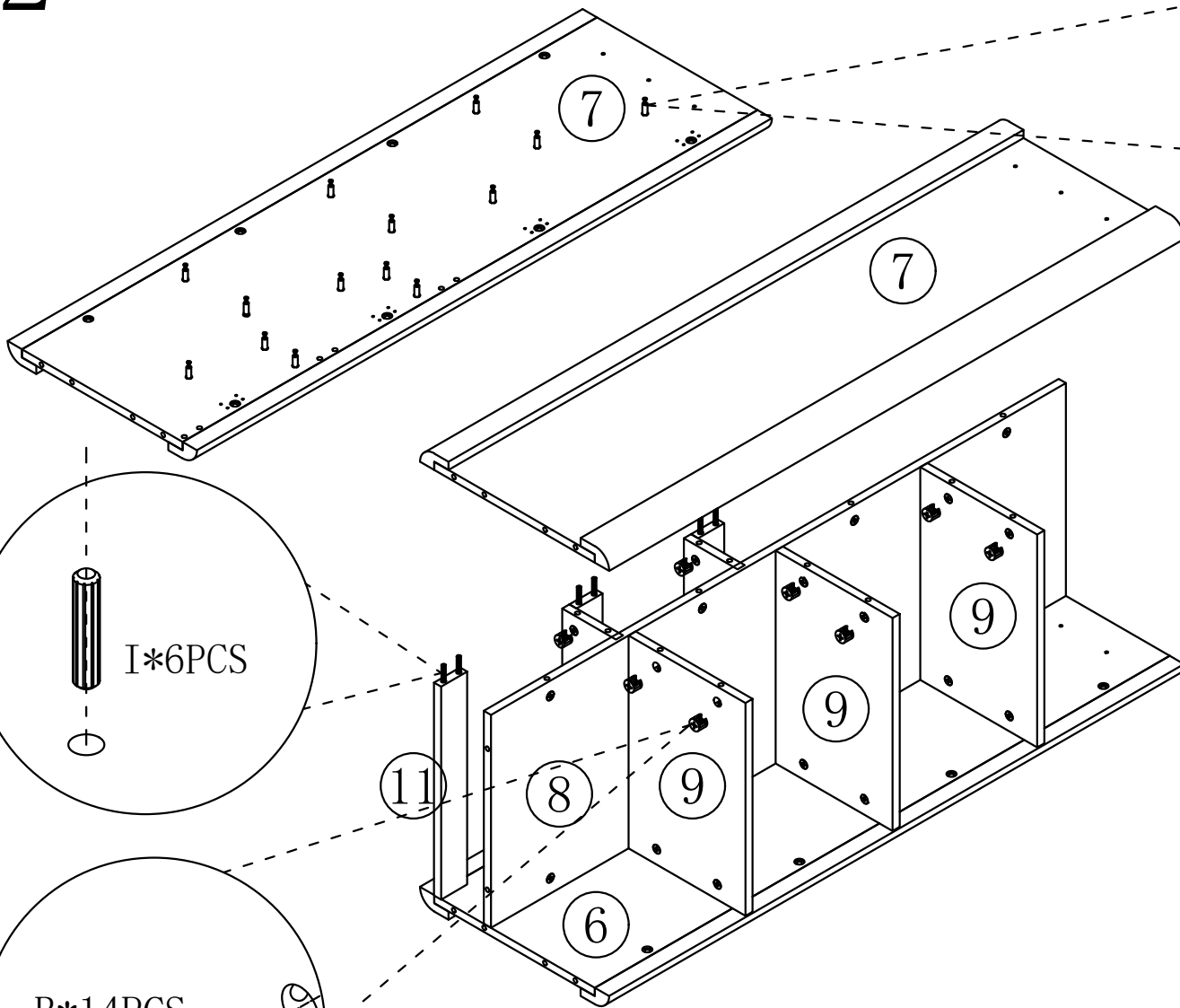
⑧ *1PCS
 B *4PCS Ⓜ ⌀15*10

11



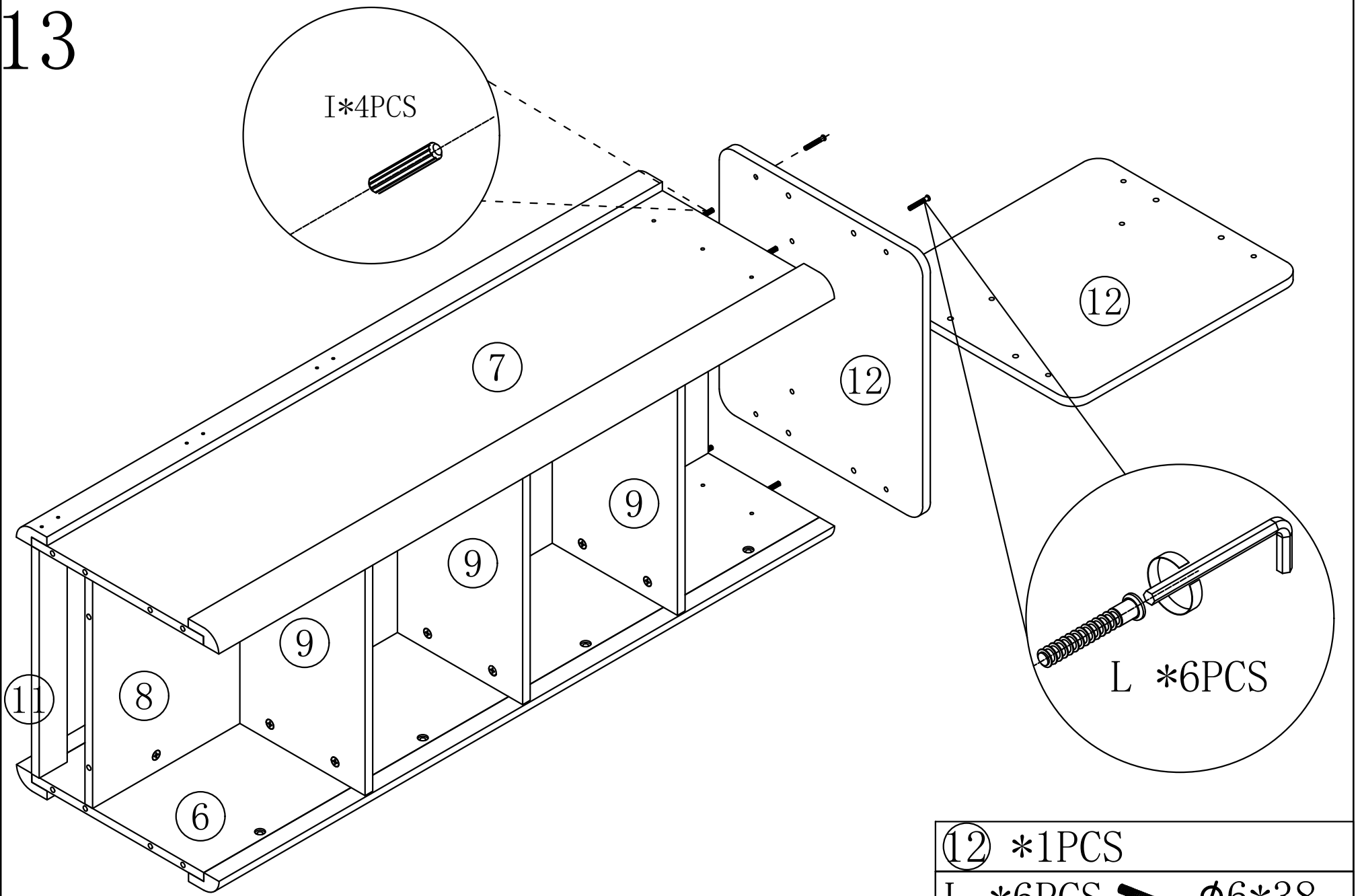
- ⑨ *3PCS
- B *6PCS $\phi 15*10$

12



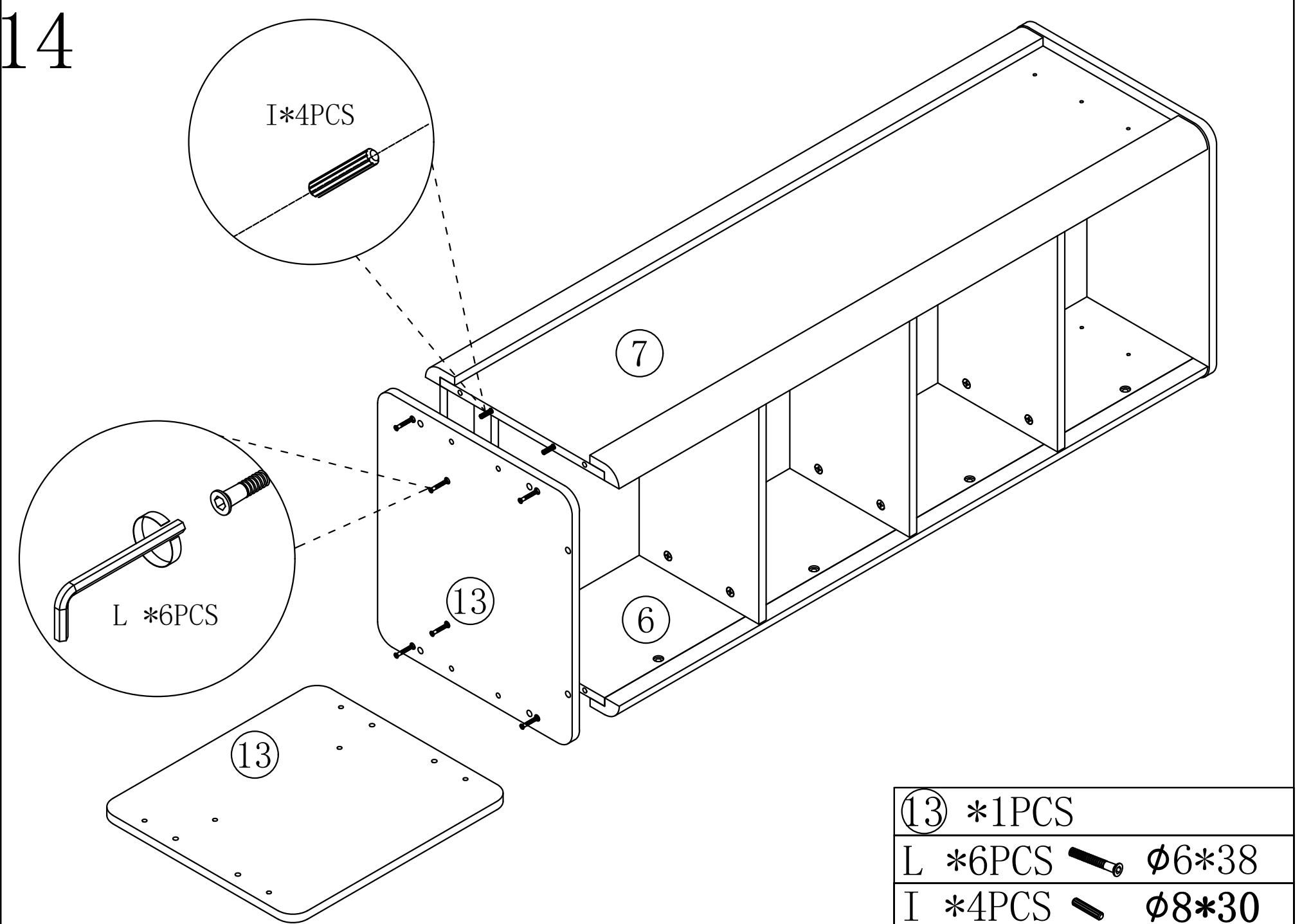
- ⑦ *1PCS
- A *14PCS $\phi 6.5*28$
- I *6PCS $\phi 8*30$
- B *14PCS $\phi 15*10$

13



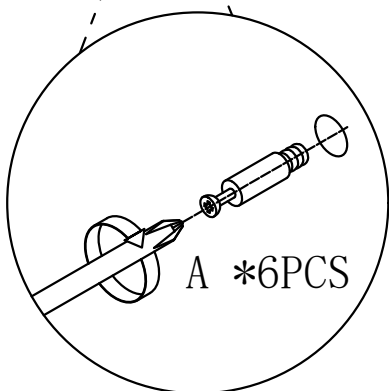
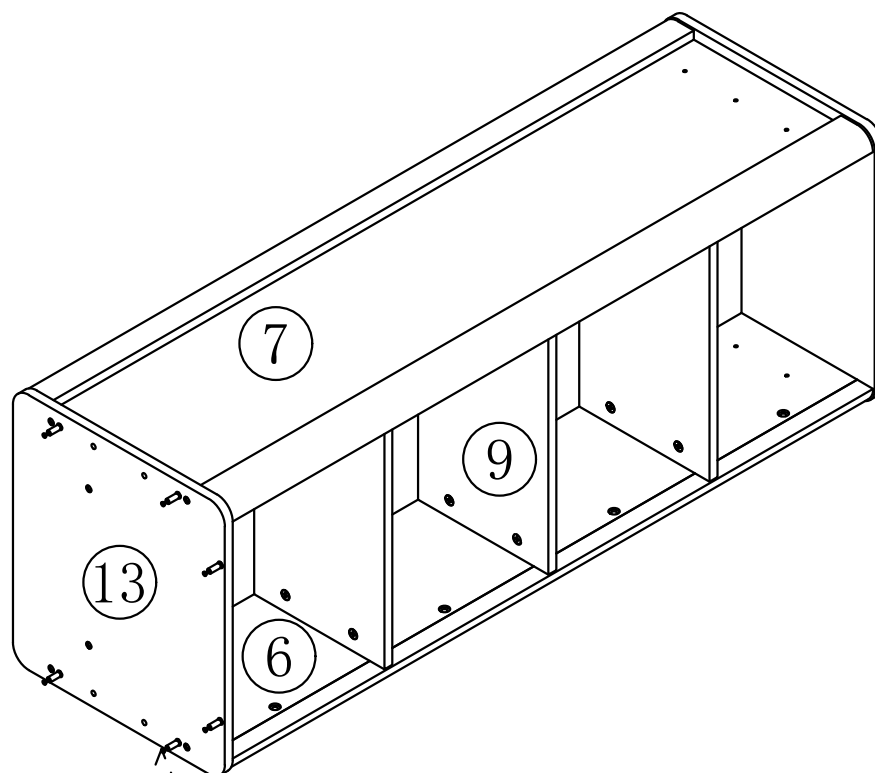
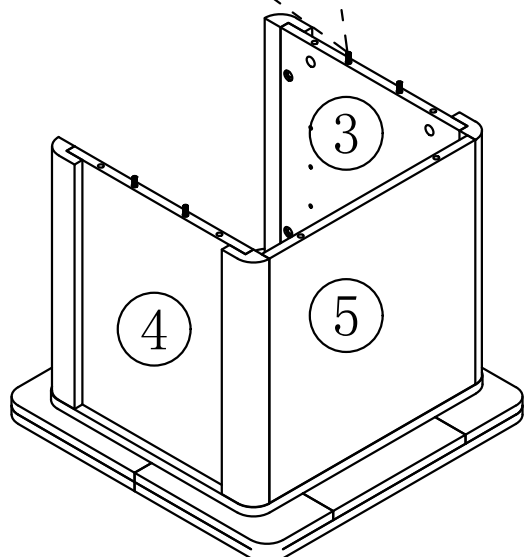
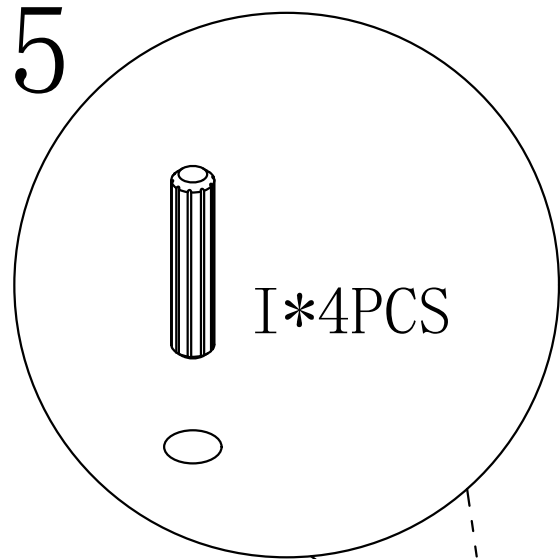
⑫ *1PCS	
L *6PCS	$\phi 6*38$
I *4PCS	$\phi 8*30$



14



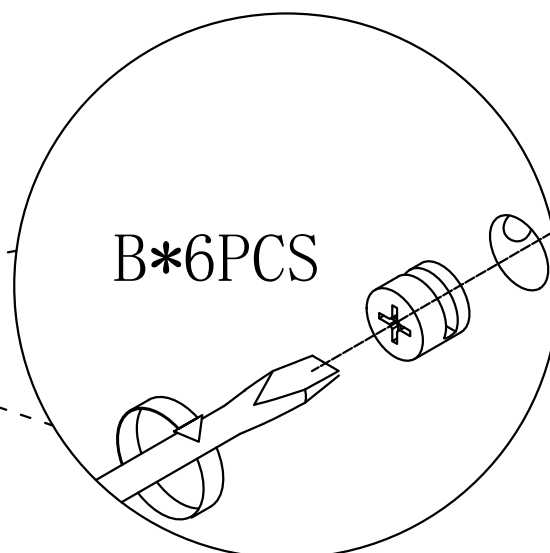
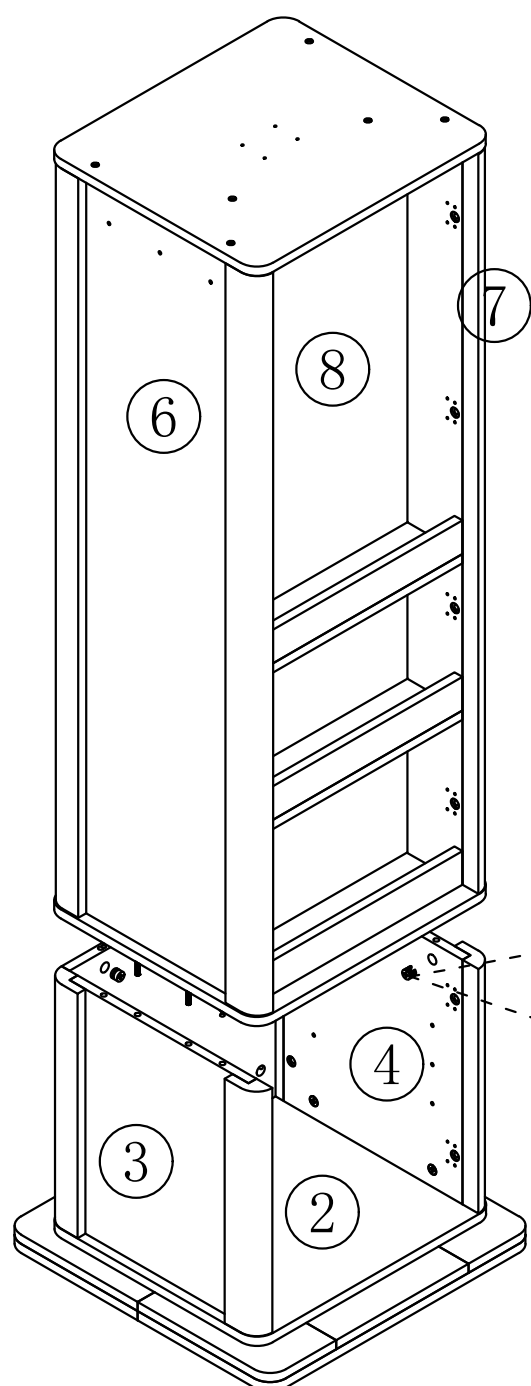
⑬ *1PCS	
L *6PCS	$\phi 6*38$
I *4PCS	$\phi 8*30$

15



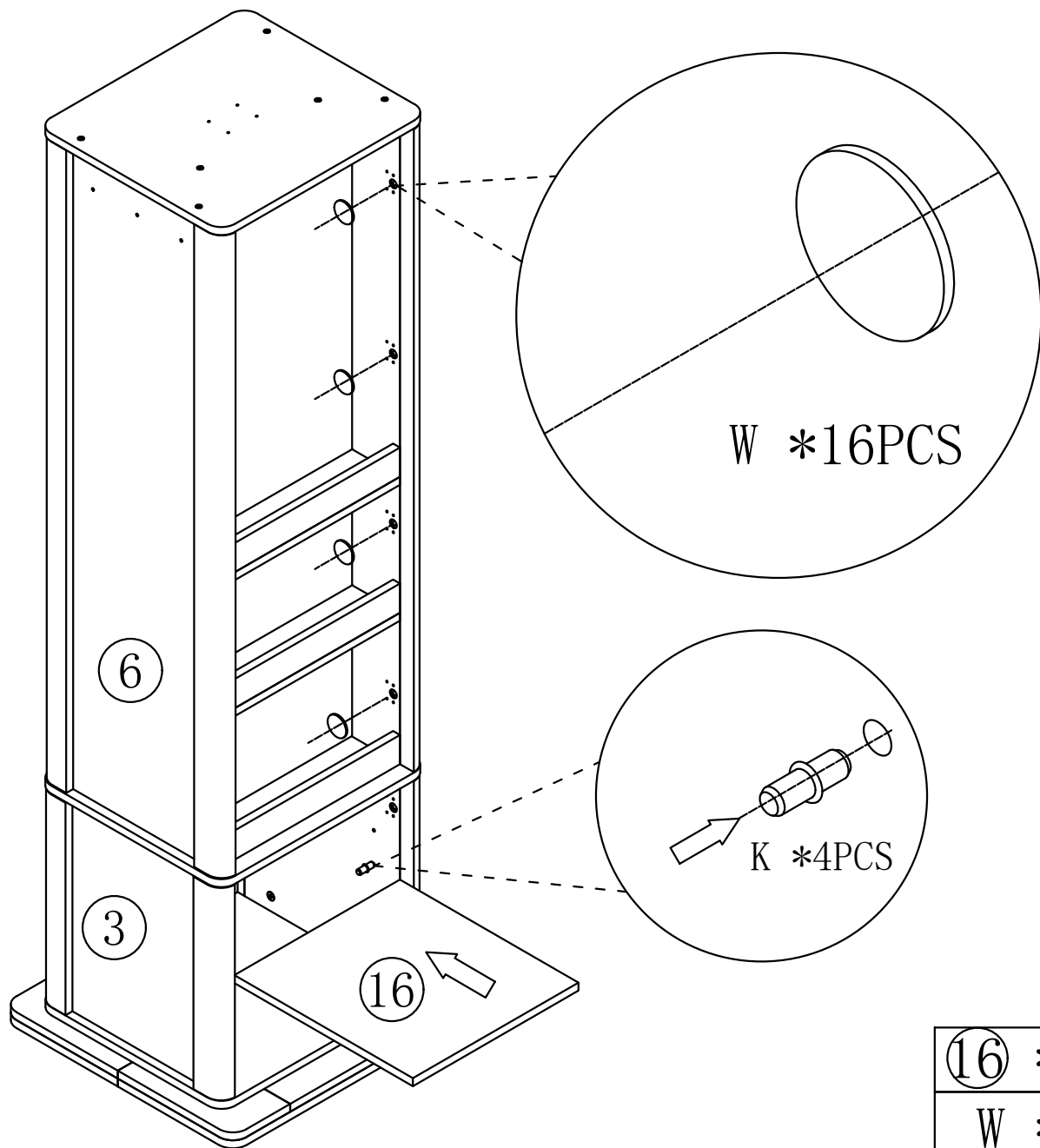
A *6PCS		$\phi 6.5 * 28$
I *4PCS		$\phi 8 * 30$

16



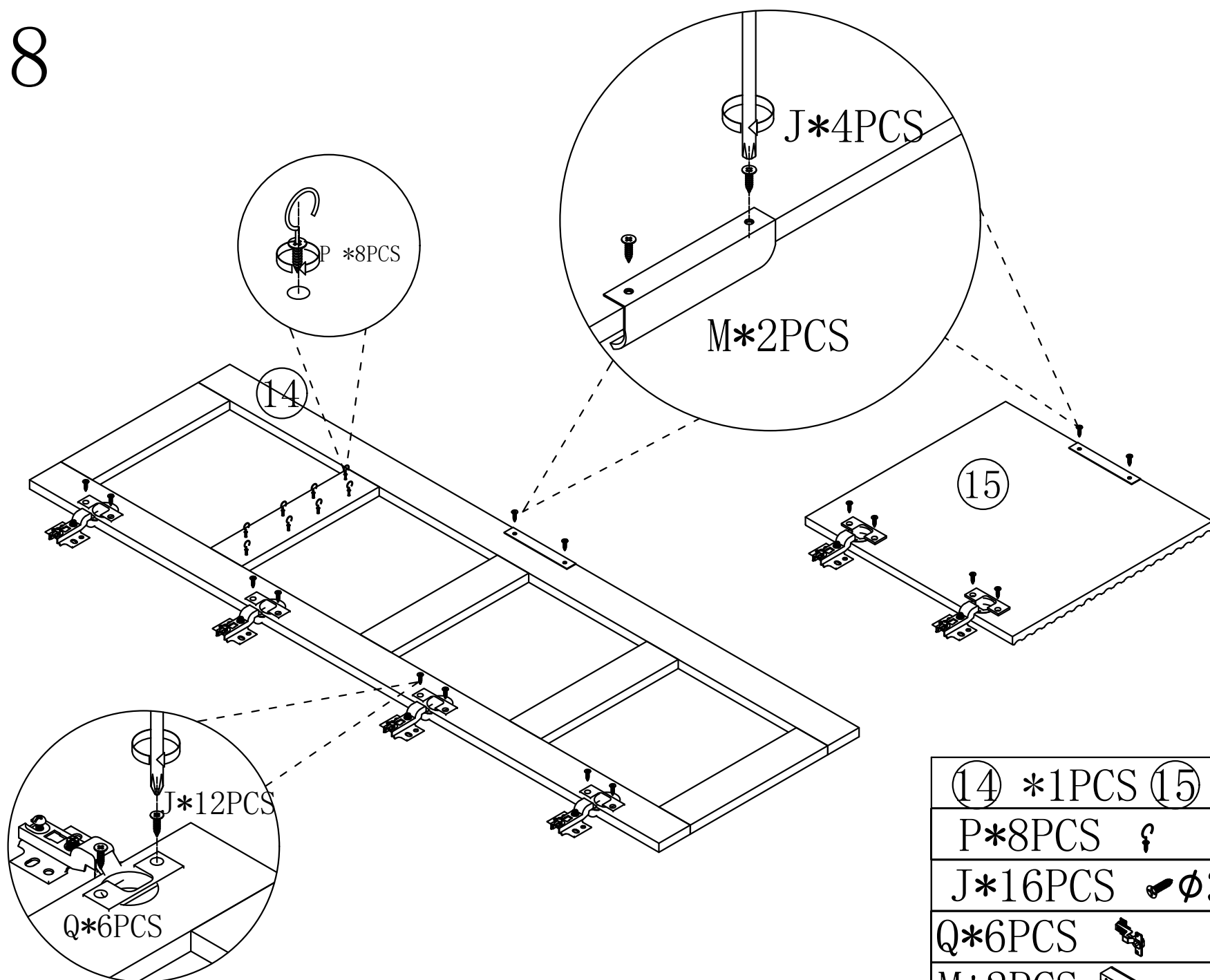
B *6PCS		$\phi 15 * 10$
---------	---	----------------

17



①⑥	*1PCS
W	*16PCS
K	*4PCS

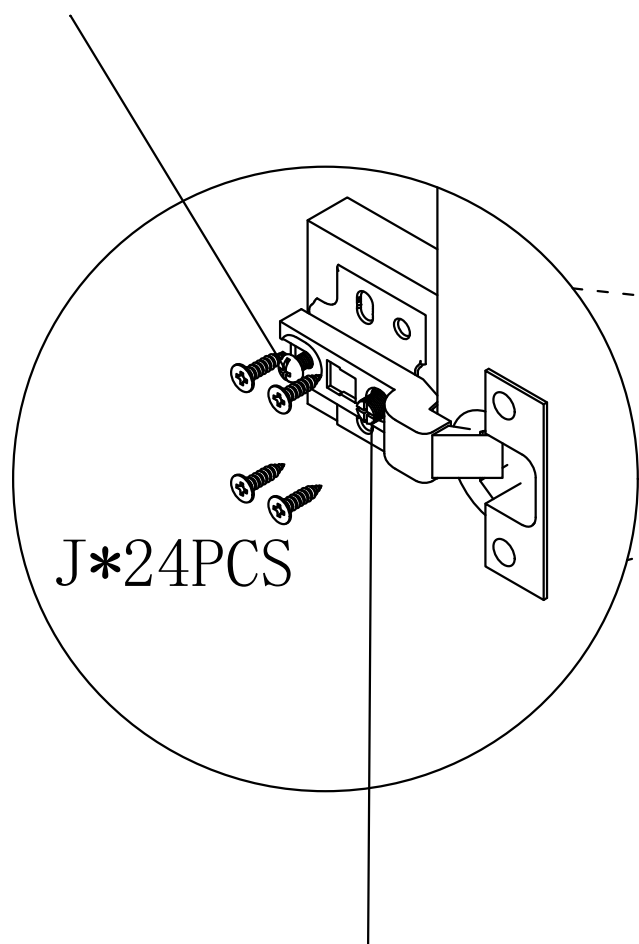
18



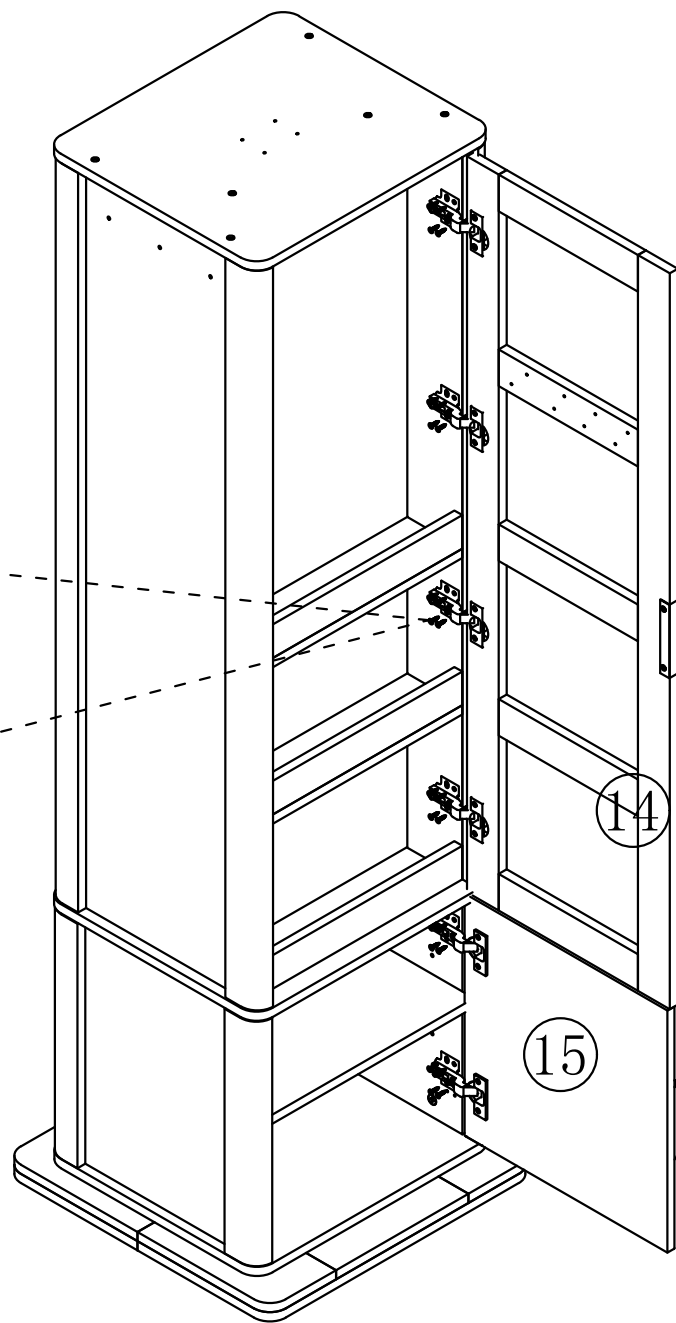
①④	*1PCS	①⑤	*1PCS
P	*8PCS	f	
J	*16PCS	⌀3.5*14	
Q	*6PCS		
M	*2PCS		

19

This screw can be adjusted back and forth according to the actual installation situation.

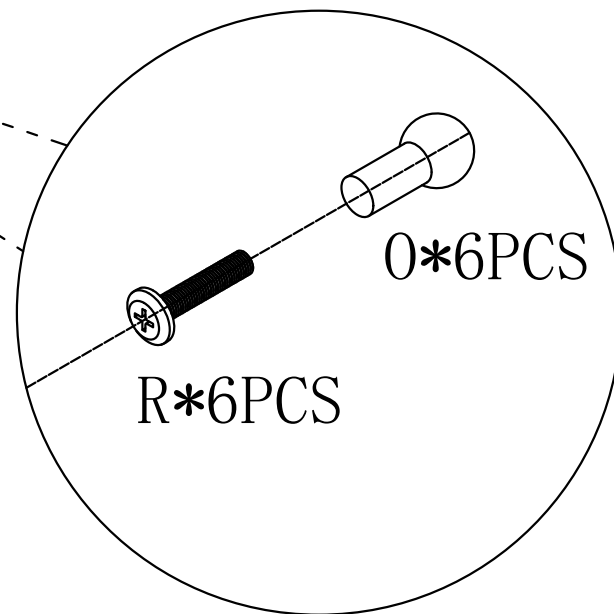
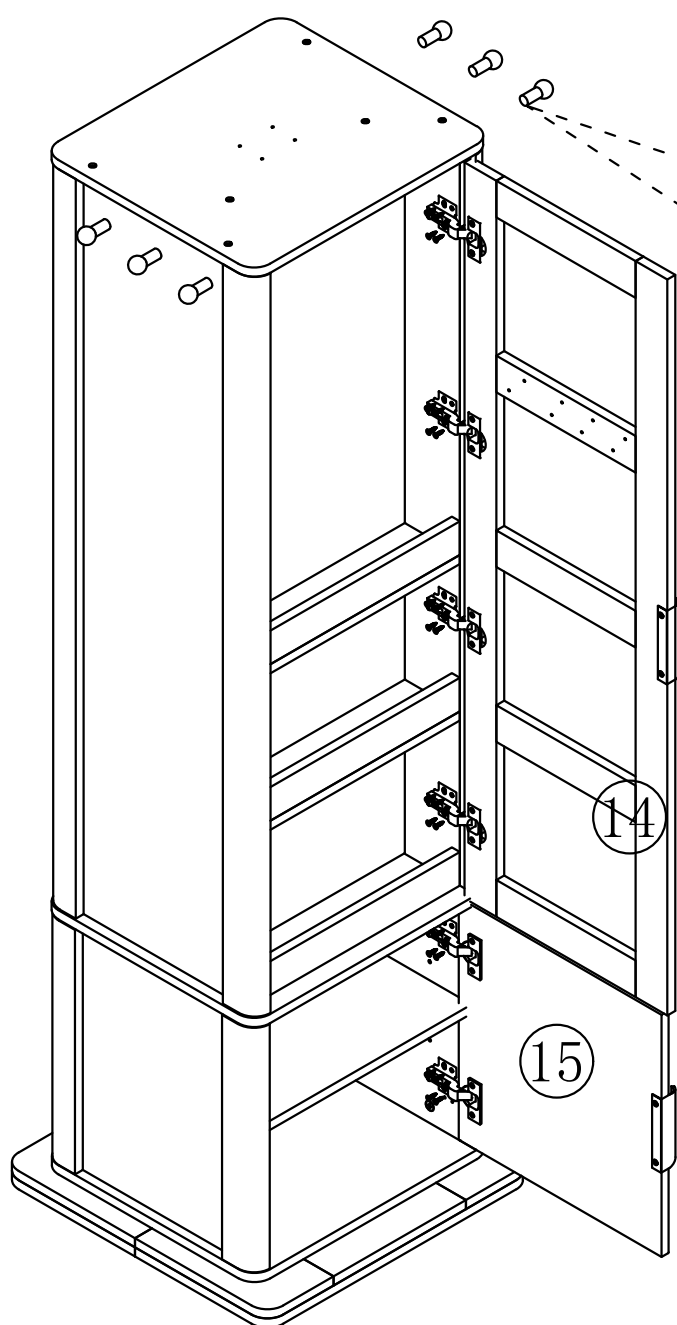




This screw can adjust the left and right gaps according to the actual installation situation



J*24PCS  $\phi 3.5 \times 14$

20

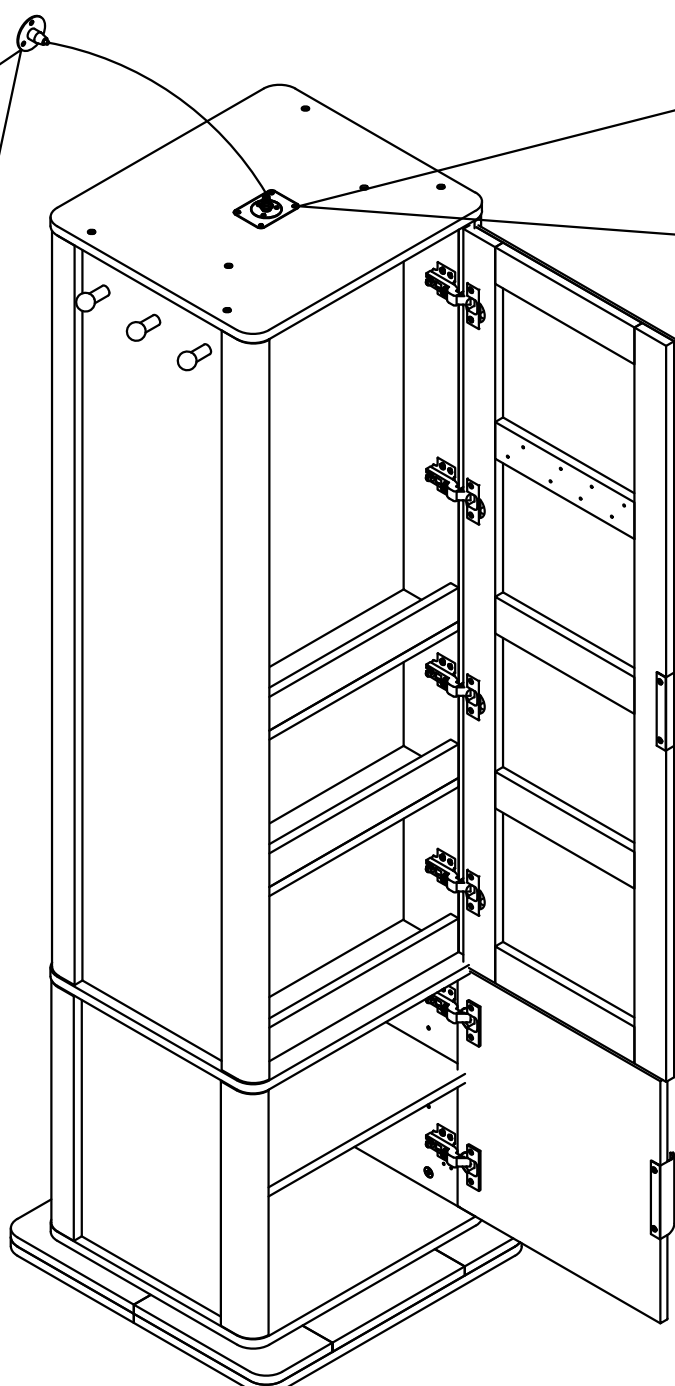
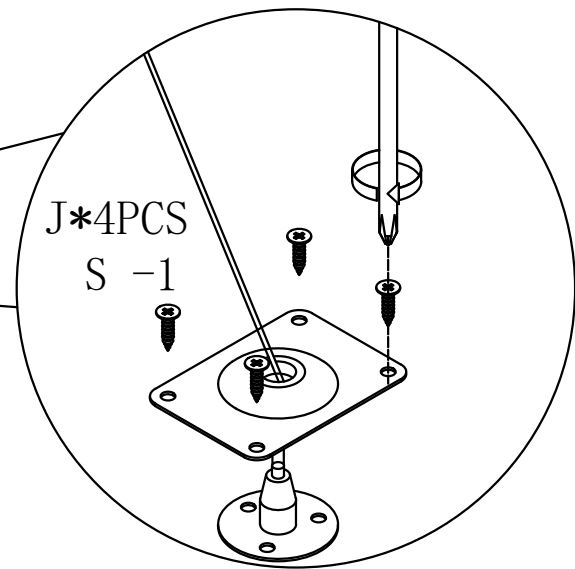
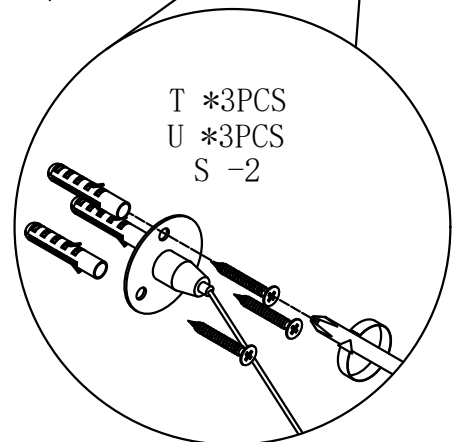


O *6PCS 
R *6PCS  $\phi 4 \times 25$

P14/P15

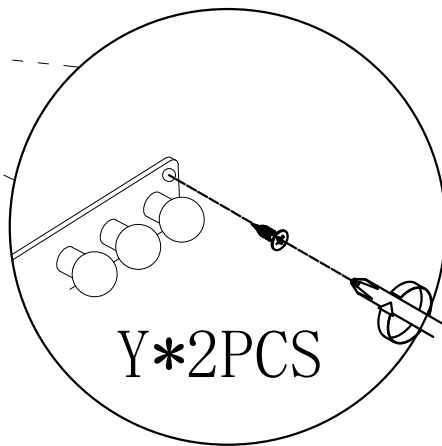
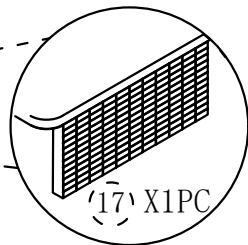
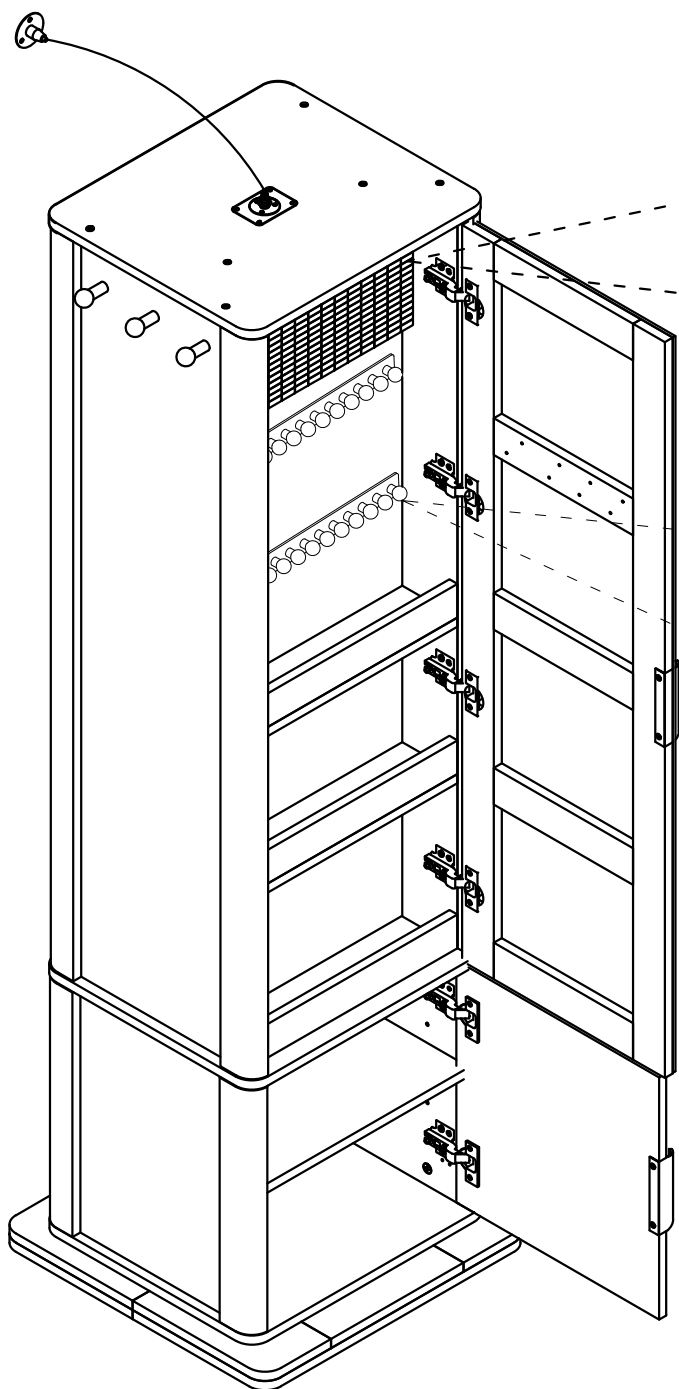
21

WALL



S *1PCS	
T *3PCS	
U *3PCS	$\phi 4*40$
J*4PCS	$\phi 3.5*14$

22



(17) X1PC	
Y*2PCS	
J*4PCS	$\phi 3.5*14$