

**ASSEMBLY INSTRUCTIONS**  
**COASTER FINE FURNITURE**



*Fine Furniture for every stage of life*

**223061Q (B1-B3)**  
***Queen Bed***

# ITEM: 223061Q (B1-B3)



## ASSEMBLY INSTRUCTIONS

### ASSEMBLY TIPS:

1. Remove hardware from box and sort by size.
2. Please check to see that all hardware and parts are present prior to start of assembly.
3. Please follow attached instructions in the same sequence as numbered to assure fast & easy assembly.



### WARNING!

1. Don't attempt to repair or modify parts that are broken or defective. Please contact the store immediately.
2. This product is for home use only and not intended for commercial establishments.



ASSEMBLY TIME

30 MINUTES



## PARTS IDENTIFICATION

### B1 ( BOX 1 )

A	HEADBOARD		1PC
I	WOOD CAP		2PCS



B	HEADBOARD POST		2PCS
---	----------------	---	------

### B2 ( BOX 2 )

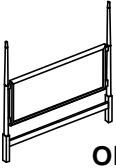
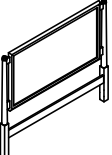
C	FOOTBOARD		1PC
E	WOOD CAP		2PCS

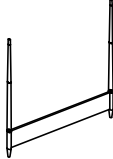
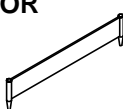
D	FOOTBOARD POST		2PCS
---	----------------	---	------

### B3 ( BOX 3 )

F	BED RAIL		2PCS
H	BED SLAT SUPPORT WITH LEVELER		4PCS

G	BED SLAT		4PCS
---	----------	---	------

HB	223061Q(B1) FROM BOX 1 HEADBOARD COMPLETE	 OR 	1PC
----	--	--	-----

FB	223061Q(B2) FROM BOX 2 FOOTBOARD COMPLETE	 OR 	1PC
----	--	--	-----

# ITEM: 223061Q (B1-B3)



## ASSEMBLY INSTRUCTIONS

### ASSEMBLY TIPS:

1. Remove hardware from box and sort by size.
2. Please check to see that all hardware and parts are present prior to start of assembly.
3. Please follow attached instructions in the same sequence as numbered to assure fast & easy assembly.






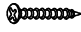


### WARNING!

1. Don't attempt to repair or modify parts that are broken or defective. Please contact the store immediately.
2. This product is for home use only and not intended for commercial establishments.

## HARDWARE IDENTIFICATION

### Z-B3 (BOX 3) - HARDWARE PACK IS LOCATED IN 223061Q (B3)

1	<b>THREADED BOLT</b> ( $\varnothing$ 5/16" x 3" - RBW)		8PCS	2	<b>HALF ROUND NUT</b> ( $\varnothing$ 5/16" - RBW)		8PCS
3	<b>LOCK WASHER</b> ( $\varnothing$ 5/16" x 3" - RBW)		8PCS	4	<b>HEX NUT</b> ( $\varnothing$ 5/16" x 14MM - RBW)		8PCS
5	<b>WRENCH</b> (14MM - RBW)		1PC	6	<b>FLAT HEAD SCREW</b> ( $\varnothing$ 4 x 30MM - RBW)		8PCS

### NOTE:

Phillips head screw driver is required in the assembly process; however, manufacturer does not provide this item.

# ITEM: 223061Q (B1-B3)

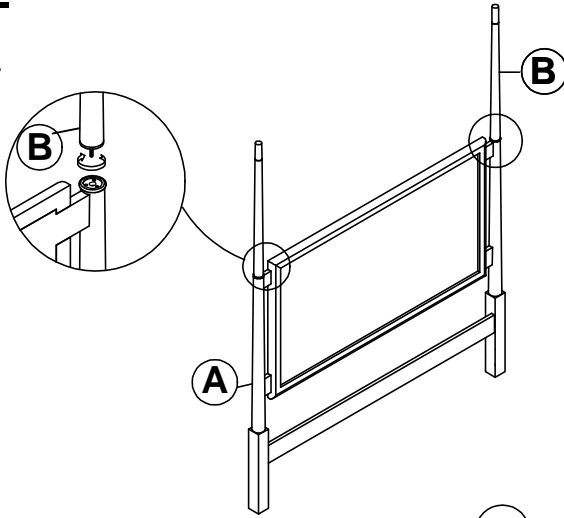


## ASSEMBLY INSTRUCTIONS

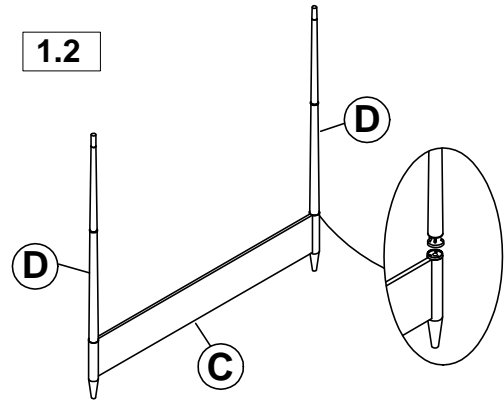
### STEP 1

#### OPTION 1

1.1

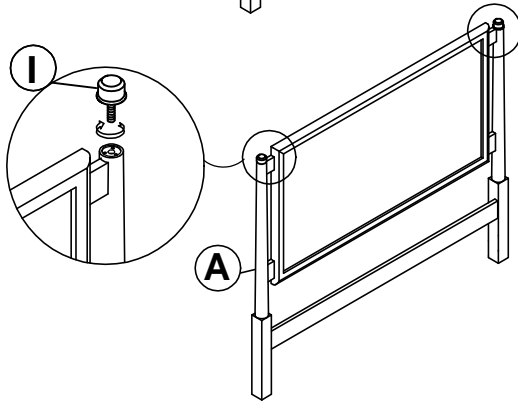


1.2

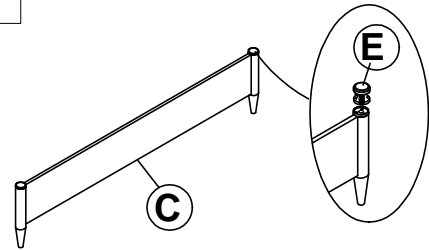


#### OPTION 2

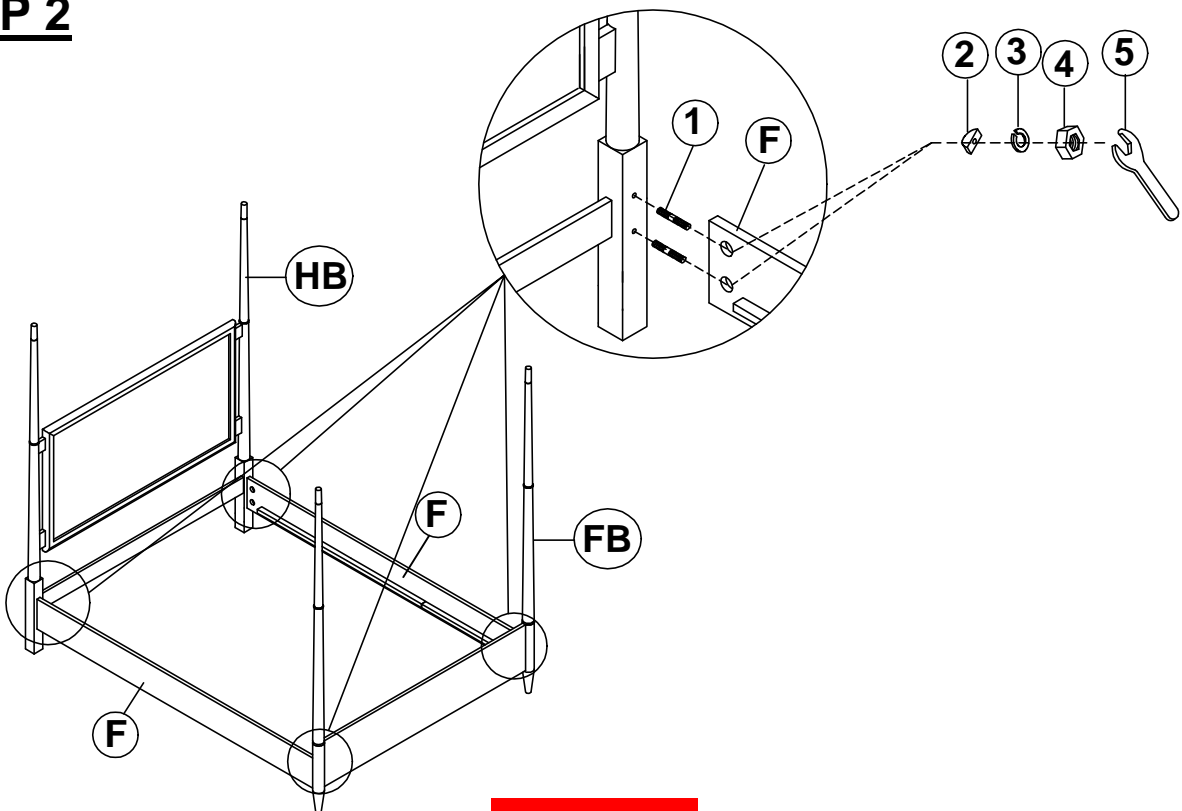
1.1



1.2



### STEP 2

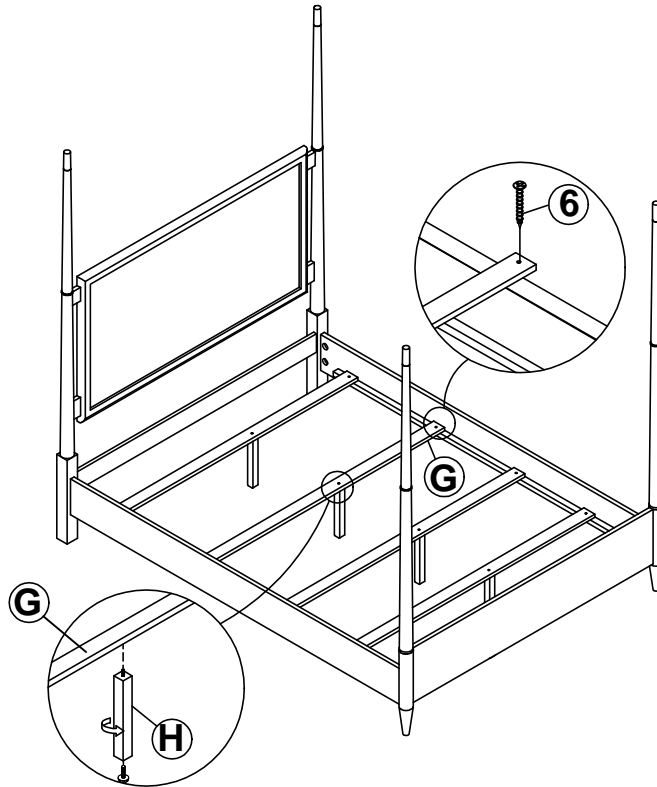


ITEM: **223061Q (B1-B3)**



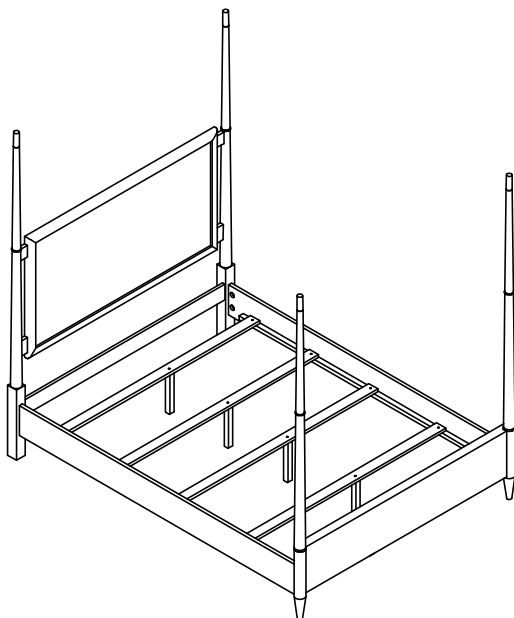
**ASSEMBLY INSTRUCTIONS**

**STEP 3**

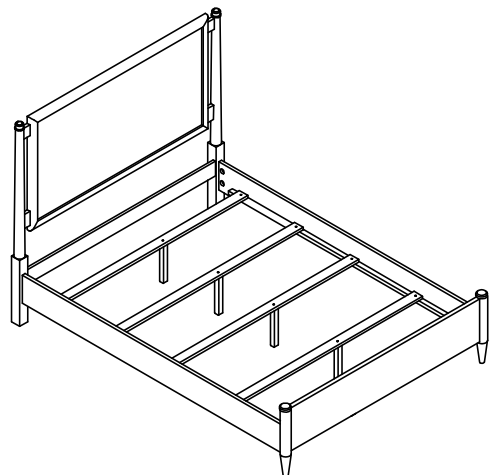


**STEP 4**  
**COMPLETE**

**OPTION 1**



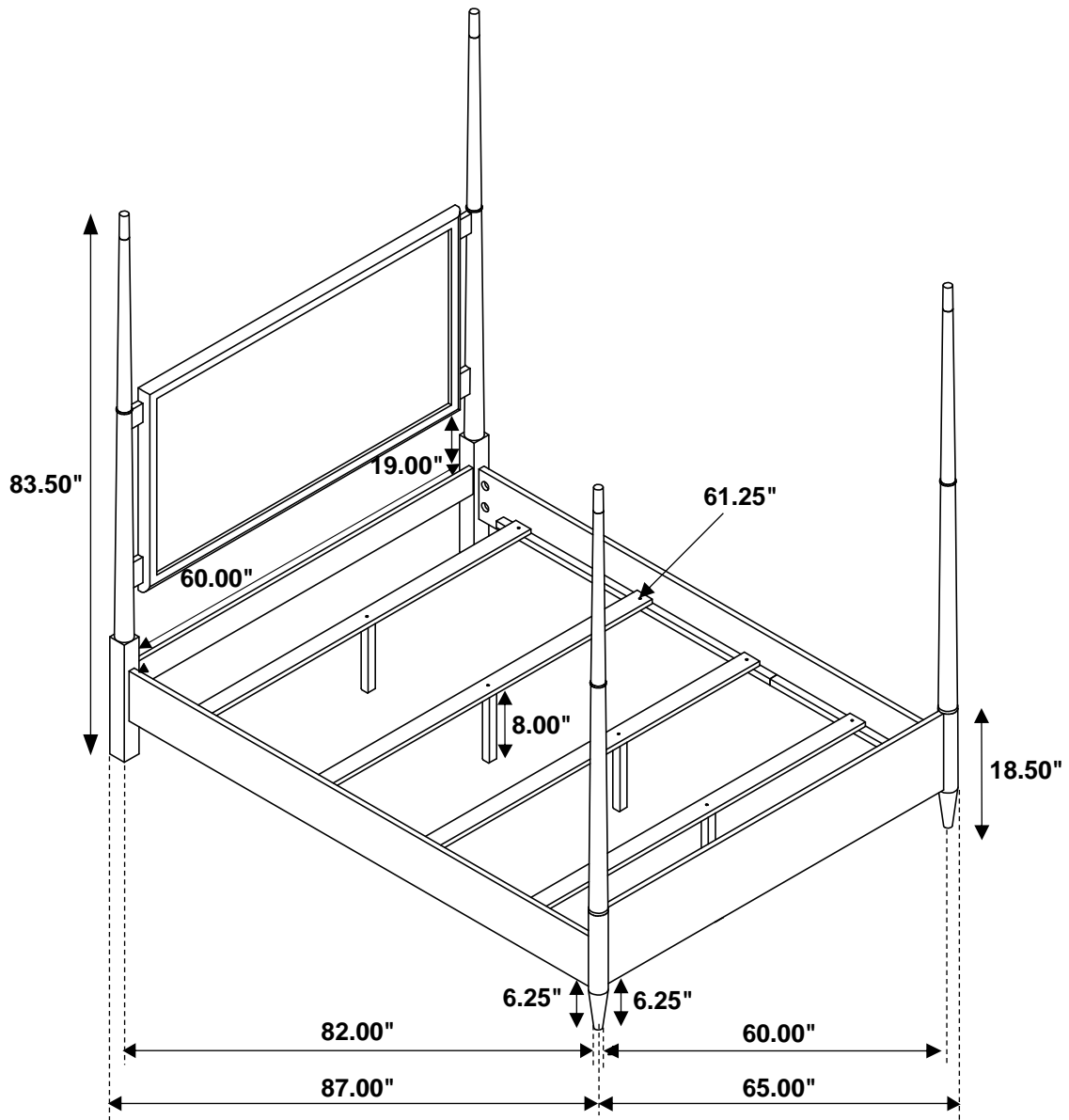
**OPTION 2**



# ITEM: 223061Q (B1-B3)



Inner Size : 61.50"W X 82.00"D

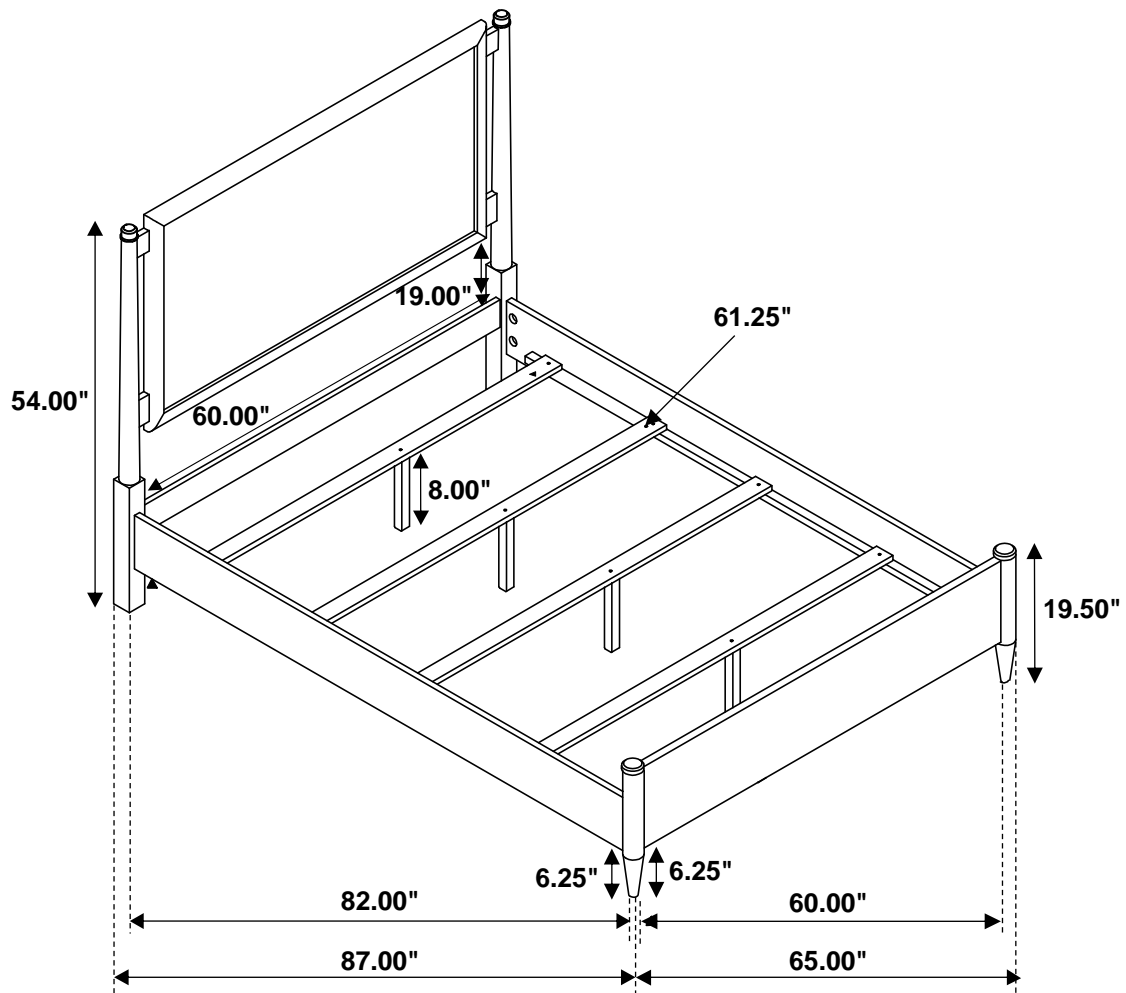


Note: Dimension tolerance  $\pm 5\%$

# ITEM: 223061Q (B1-B3)



Inner Size : 61.50"W X 82.00"D



Note: Dimension tolerance  $\pm 5\%$

**ASSEMBLY INSTRUCTIONS**  
**COASTER FINE FURNITURE**



*Fine Furniture for every stage of life*

**223062**  
***Nightstand***

ITEM: **223062**



## ASSEMBLY INSTRUCTIONS

### ASSEMBLY TIPS:

1. Remove hardware from box and sort by size.
2. Please check to see that all hardware and parts are present prior to start of assembly.
3. Please follow attached instructions in the same sequence as numbered to assure fast & easy assembly.



### WARNING!

1. Don't attempt to repair or modify parts that are broken or defective. Please contact the store immediately.
2. This product is for home use only and not intended for commercial establishments.

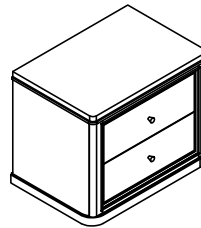


ASSEMBLY TIME

5 MINUTES

## PARTS IDENTIFICATION

A NIGHTSTAND



1PC

B LEG



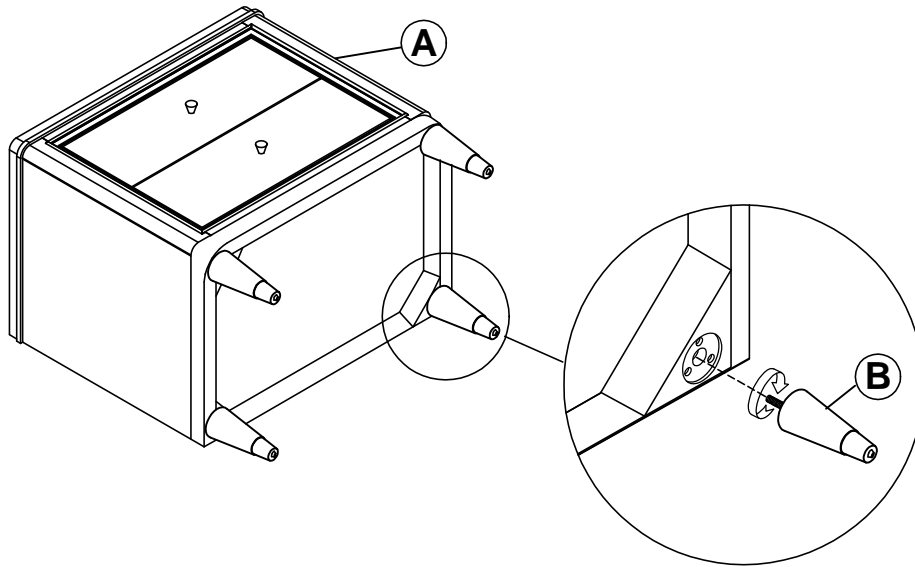
4PCS

ITEM: **223062**

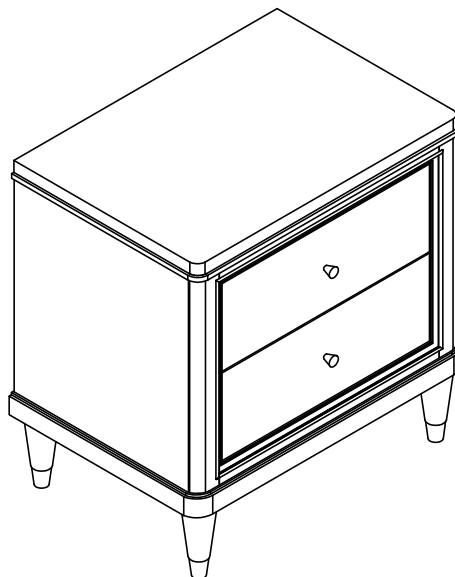


## ASSEMBLY INSTRUCTIONS

### STEP 1



### STEP 2 COMPLETE



ITEM: **223062**

## ANTI-TIPPING INSTALLMENT INSTRUCTIONS

### FURNITURE TIPPING RESTRAINT



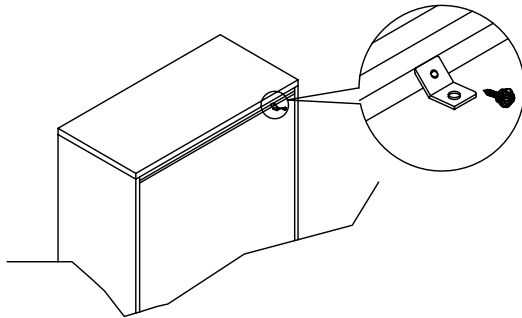
#### WARNING

Injury may result from tipping furniture.  
This restraint may protect against tipping furniture.  
Do not allow children to climb on furniture.  
This restraint is not a substitute for proper adult supervision.  
Failure to detach this restraint before moving the furniture may result in injury and damage.

This tip restraint must be attached to a wall stud using long screw enclosed.

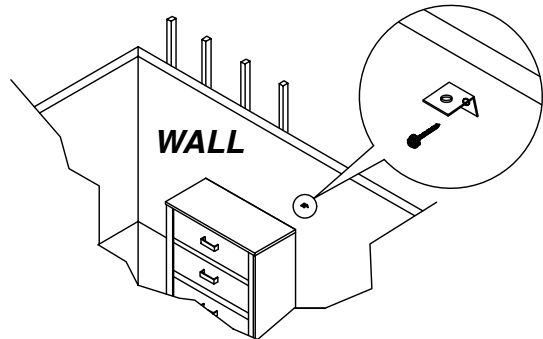
#### STEP 1

Attach a bracket securely to the back top rail of the furniture using short screw provided, through the smaller hole.



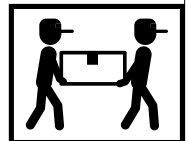
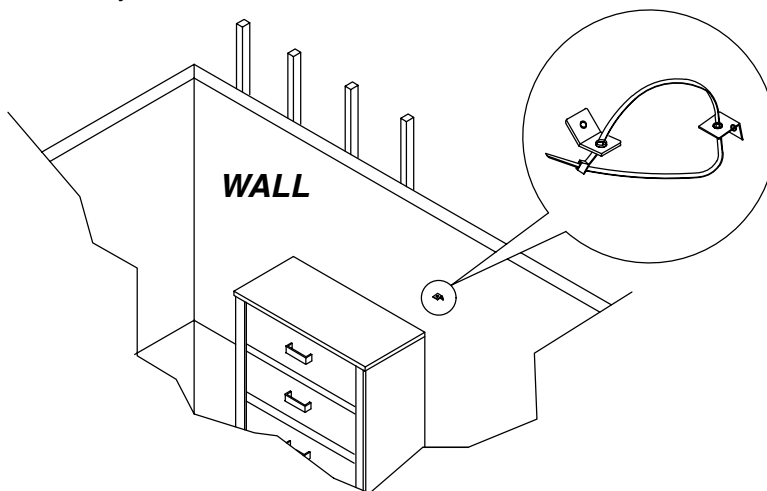
#### STEP 2

Locate the other bracket on the wall over a wall stud and two inches below the mounting bracket secured to the back of the furniture. Attach the wall stud using the long screw provided, through the smaller hole.



#### STEP 3

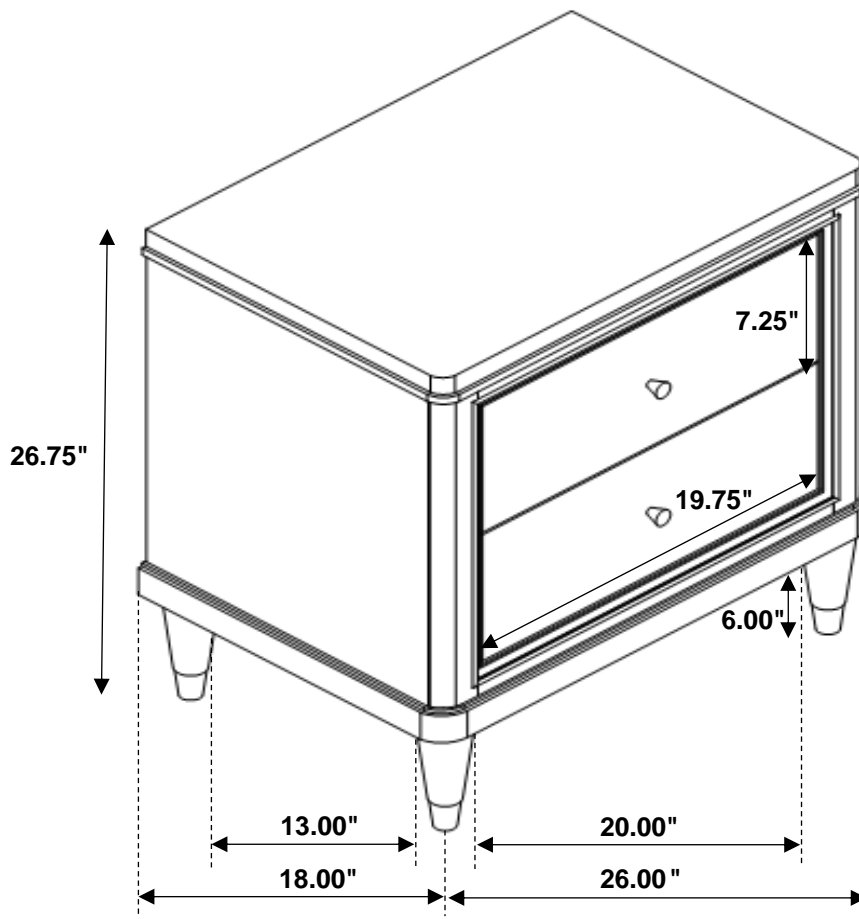
Place the furniture into position so both mounting brackets are vertically in line. Lace the end of the restraint strap through the larger hole in each mounting bracket. Bring both ends together and slide the flat end through the locking end and draw it through until all slack is removed. Confirm that the strap is securely laced and locked.



ITEM: **223062**

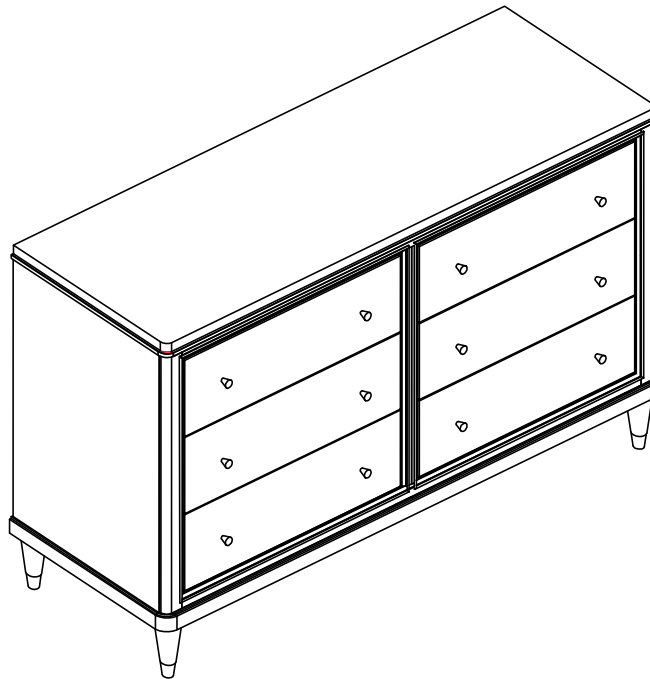


Inner Size of Drawer : 18.25"W X 13.50"D X 6.25"H X 0.50"T



Note: Dimension tolerance  $\pm 5\%$

**ASSEMBLY INSTRUCTIONS**  
**COASTER FINE FURNITURE**



*Fine Furniture for every stage of life*

**223063**  
**Dresser**

ITEM: **223063**



## ASSEMBLY INSTRUCTIONS

### ASSEMBLY TIPS:

1. Remove hardware from box and sort by size.
2. Please check to see that all hardware and parts are present prior to start of assembly.
3. Please follow attached instructions in the same sequence as numbered to assure fast & easy assembly.



### WARNING!

1. Don't attempt to repair or modify parts that are broken or defective. Please contact the store immediately.
2. This product is for home use only and not intended for commercial establishments.

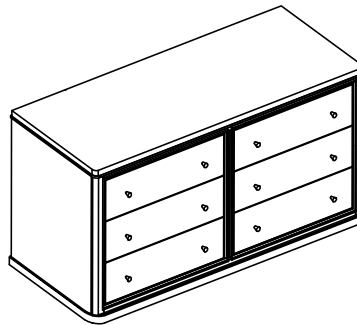


ASSEMBLY TIME

5 MINUTES

## PARTS IDENTIFICATION

A DRESSER



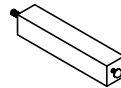
1PC

B LEG



4PCS

C CENTER SUPPORT LEG WITH LEVELER



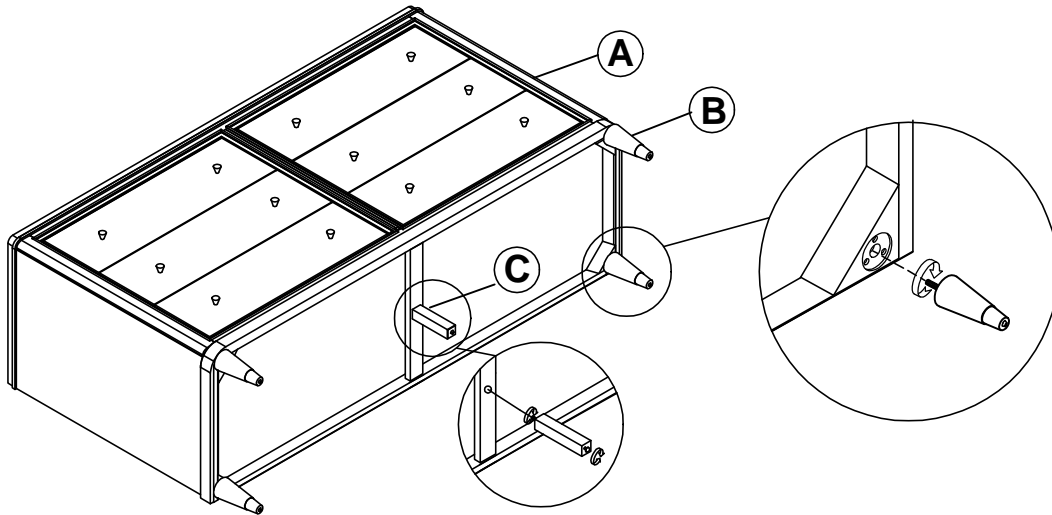
1PC

ITEM: **223063**

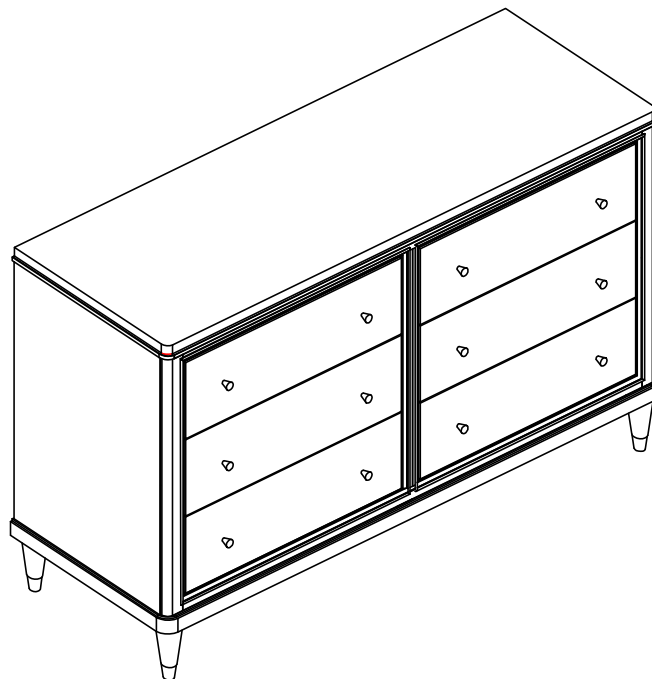


## ASSEMBLY INSTRUCTIONS

### STEP 1



### STEP 2 **COMPLETE**



ITEM: **223063**

## ANTI-TIPPING INSTALLMENT INSTRUCTIONS

### FURNITURE TIPPING RESTRAINT



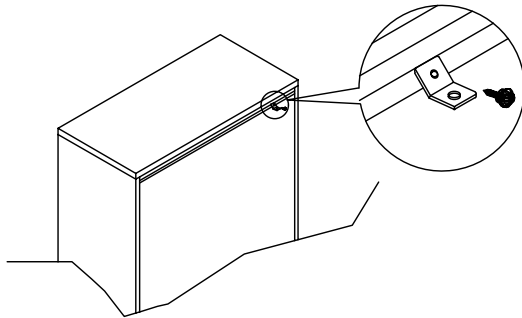
#### WARNING

Injury may result from tipping furniture.  
This restraint may protect against tipping furniture.  
Do not allow children to climb on furniture.  
This restraint is not a substitute for proper adult supervision.  
Failure to detach this restraint before moving the furniture may result in injury and damage.

This tip restraint must be attached to a wall stud using long screw enclosed.

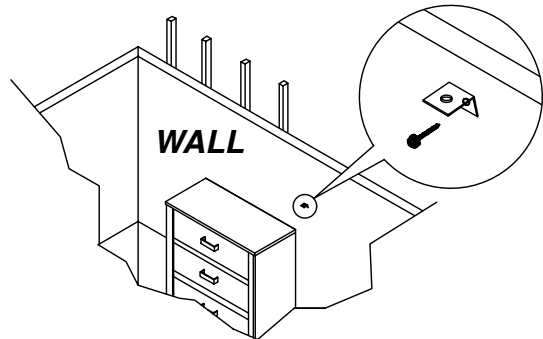
#### STEP 1

Attach a bracket securely to the back top rail of the furniture using short screw provided, through the smaller hole.



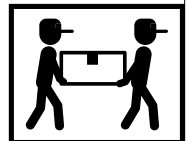
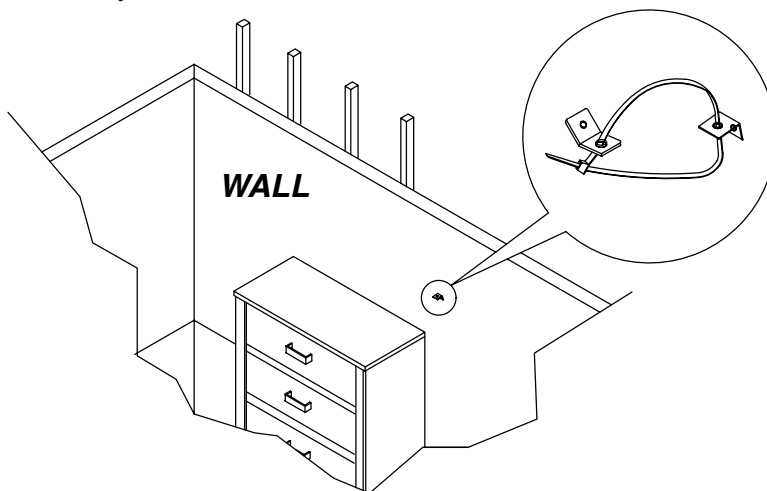
#### STEP 2

Locate the other bracket on the wall over a wall stud and two inches below the mounting bracket secured to the back of the furniture. Attach the wall stud using the long screw provided, through the smaller hole.



#### STEP 3

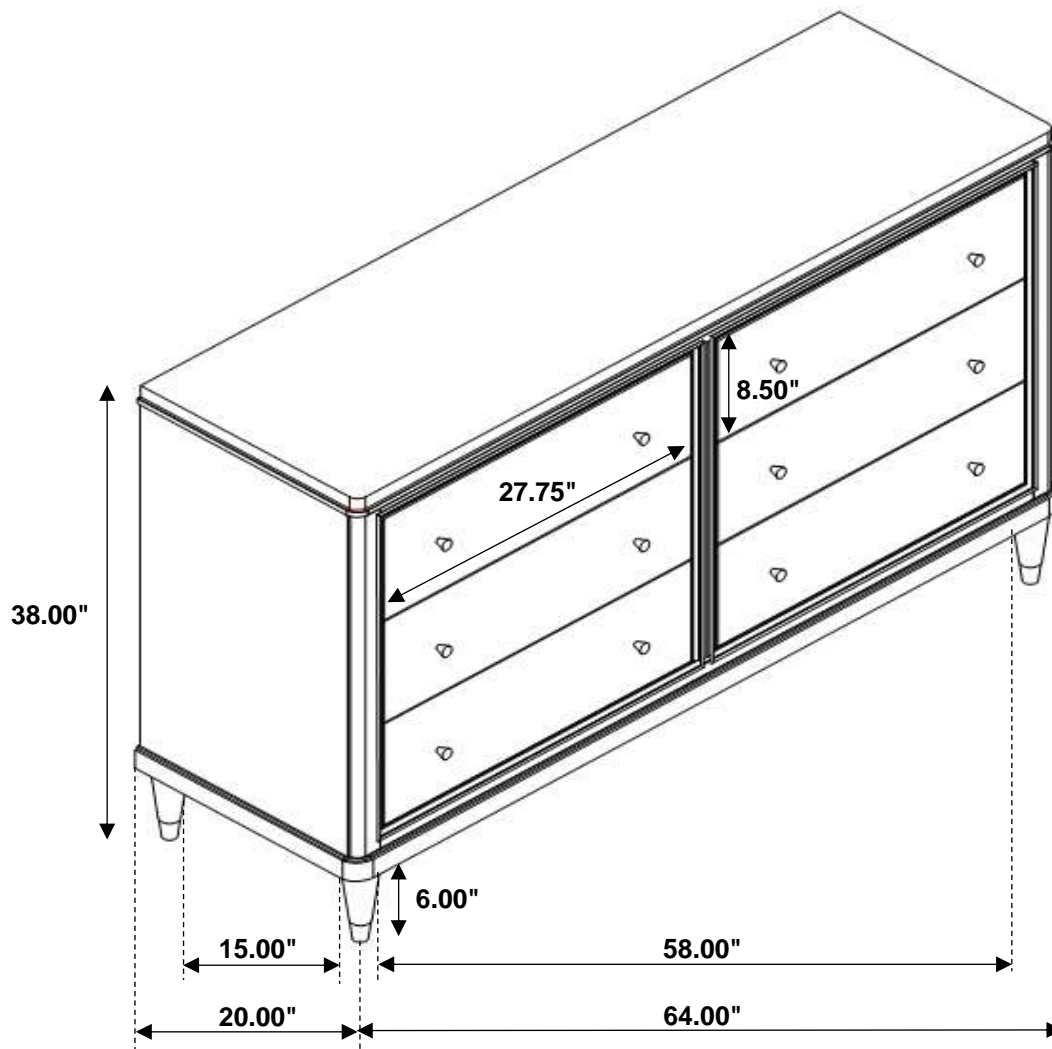
Place the furniture into position so both mounting brackets are vertically in line. Lace the end of the restraint strap through the larger hole in each mounting bracket. Bring both ends together and slide the flat end through the locking end and draw it through until all slack is removed. Confirm that the strap is securely laced and locked.



ITEM: **223063**



Inner Size of Drawer : 26.00"W X 13.50"D X 7.75"H X 0.50"T



Note: Dimension tolerance  $\pm 5\%$

**ASSEMBLY INSTRUCTIONS**  
**COASTER FINE FURNITURE**



*Fine Furniture for every stage of life*

**223064**  
**Mirror**

ITEM: **223064**



## ASSEMBLY INSTRUCTIONS

### ASSEMBLY TIPS:

1. Remove hardware from box and sort by size.
2. Please check to see that all hardware and parts are present prior to start of assembly.
3. Please follow attached instructions in the same sequence as numbered to assure fast & easy assembly.



### WARNING!

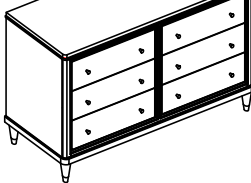

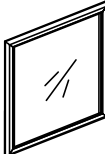
1. Don't attempt to repair or modify parts that are broken or defective. Please contact the store immediately.
2. This product is for home use only and not intended for commercial establishments.







ASSEMBLY TIME

5 MINUTES

## PARTS IDENTIFICATION

A	DRESSER FROM BOX ITEM# 223063		1PC
B	MIRROR SUPPORT (PACKED WITH DRESSER)		2PCS
C	MIRROR		1PC

## HARDWARE IDENTIFICATION

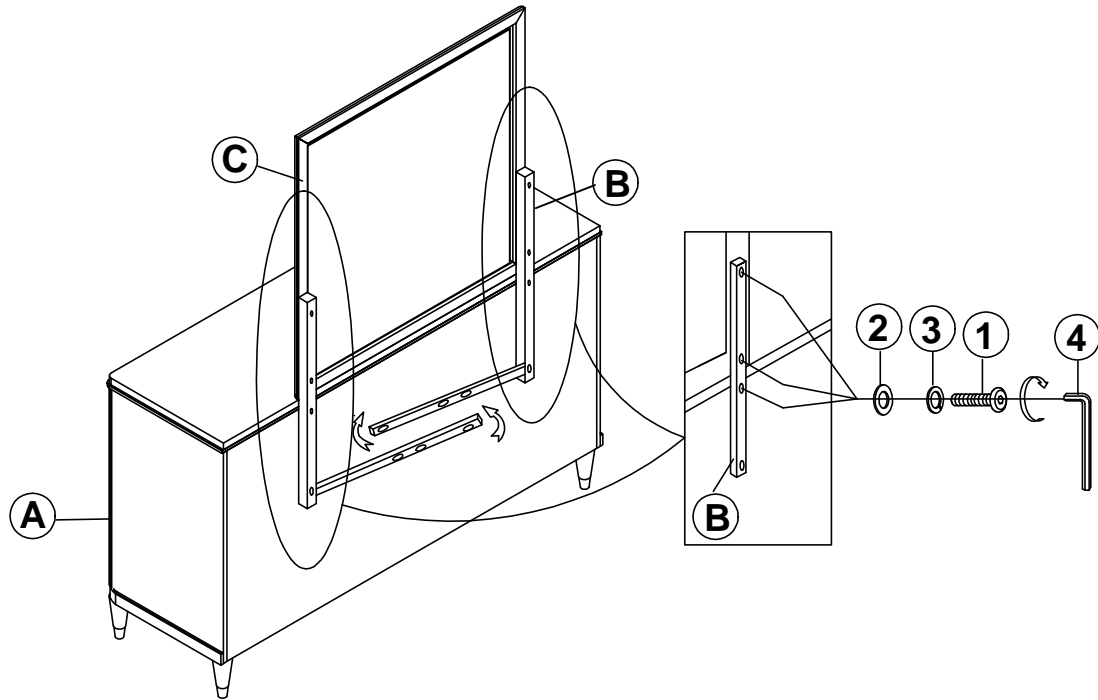
1	BOLT (1/4" x 38mm - RBW)		6PCS
2	LOCK WASHER (1/4" - RBW)		6PCS
3	FLAT WASHER (1/4" - RBW)		6PCS
4	ALLEN WRENCH (4mm - RBW)		1PC

ITEM: **223064**

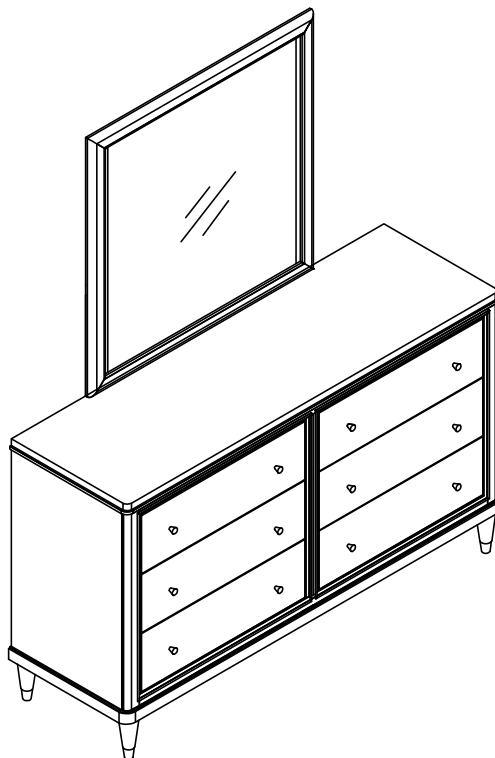


## ASSEMBLY INSTRUCTIONS

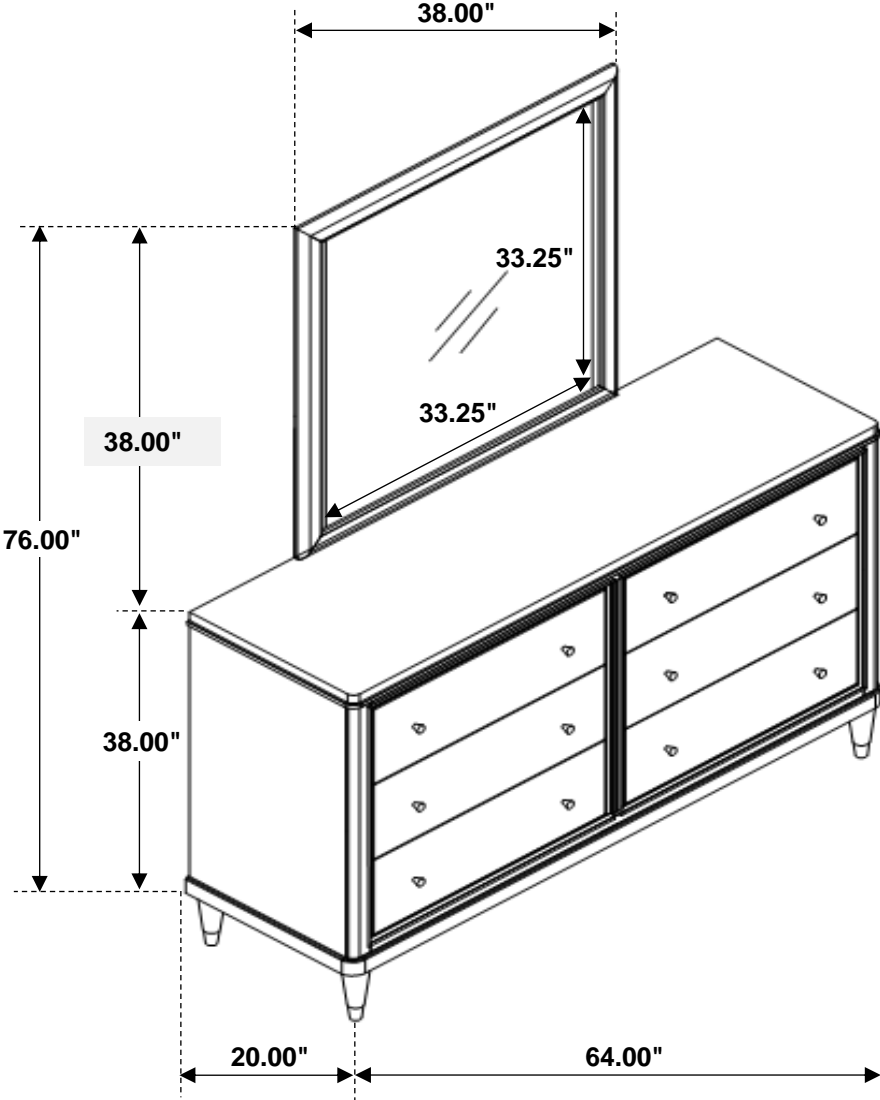
### STEP 1



### STEP 2 COMPLETE



ITEM: **223064**



Note: Dimension tolerance  $\pm 5\%$