

ASSEMBLY INSTRUCTION

We believe you will absolutely love your new furniture. Please immediately examine this product

90-Day Limited Warranty Statement for Manufacturing Defects

Please read this Limited Warranty carefully. To maintain your Warranty, you will need to comply with the conditions stated here.

This warranty is for manufacturing defects only and does not cover damages as a result of misuse.

1. Our products sold comply with the description contained in this Warranty. All parts and products are warranted 90-Day from the original date of delivery except: parts and products used for commercial, contract, rental trade, institutional, or any other non-residential purposes; parts and products that have not been maintained in accordance with the care recommendations provided; parts and products damaged resulting from the consumer's improper assembly; or parts and products that are damaged or defective due to normal wear and tear.

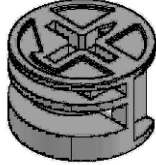
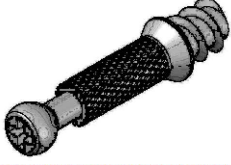
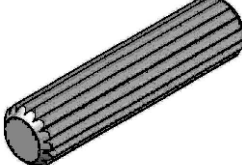
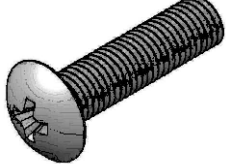
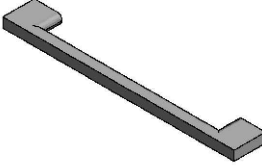
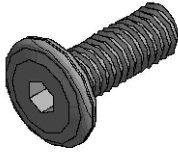
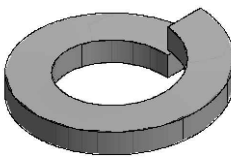
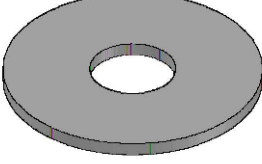
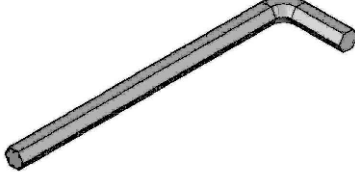
2. To exercise rights under this warranty, proper documentation, i.e., photography, purchase order number, manufacturer's bar code label, and or any other pertinent information upon request is required. We reserve the right to repair or replace the product within the warranty period based upon the documentation received as support of a claim for consideration. We will not replace or repair any product if improper maintenance, improper handling, or improper use caused the damage. Any product sold from or modified by a Non-Authorized Dealer, Seller or Consumer will void the Warranty.

3. Cost of packaging and shipping to and from us is not covered by the warranty unless expressly arranged by us. This warranty does not extend to furniture that has been exchanged or replaced by us as settlement of an original claim of defective merchandise. This warranty does not extend to furniture that has been moved from delivery location on original purchase order.

We appreciate your business!

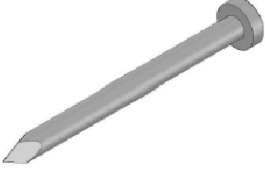
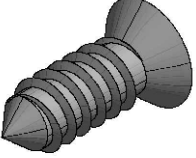
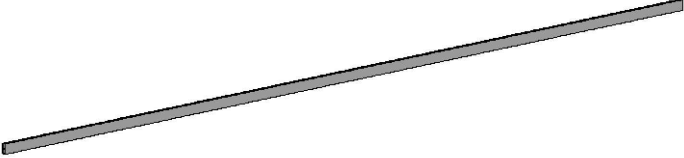

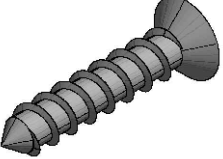
ASSEMBLY INSTRUCTION

HARDWARES LIST

ITEM	DESCRIPTION	DRAWING	QTY
A	MINIFIX CAM LOCK		60 PCS
B	MINIFIX CAM BOLT		60 PCS
C	WOOD DOWEL (M6 x 25MM)		64 PCS
D	TRUSS M-SCREW (16MM)		12 PCS
E	HANDLE		6 PCS
F	JCBC SCREW M6 x 15MM		8 PCS
G	SPRING WASHER M6 x 13MM		8 PCS
H	FLAT WASHER M6 x 19MM		8 PCS
I	M4 ALLEN KEY (65MM)		1 PC

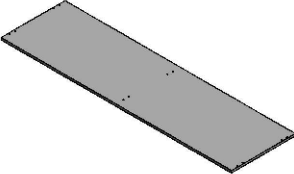
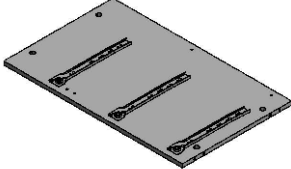
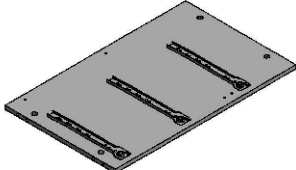
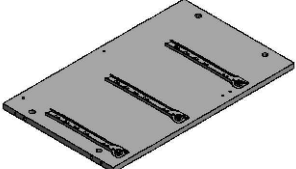
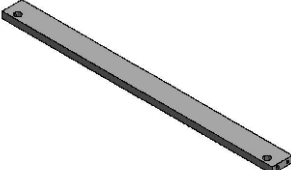
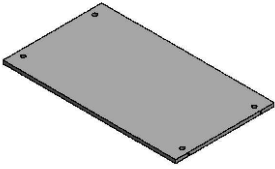
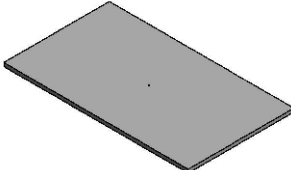
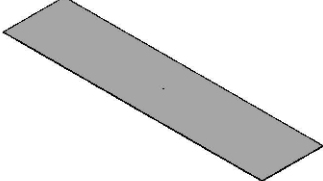
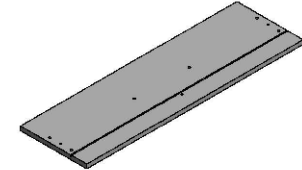
ASSEMBLY INSTRUCTION

HARDWARES LIST

ITEM	DESCRIPTION	DRAWING	QTY
J	6/8" NAIL		26 PCS
K	CSK SCREW M3.5 X 12MM		4 PCS
L	PLASTIC STRIP (H SHAPE)		1 PC
M	TIPPING RESTRAINT		1 PC
N	CSK SCREW M4 X 20MM		2 PCS

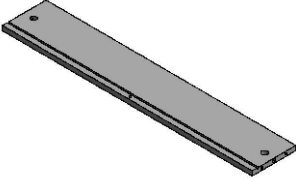
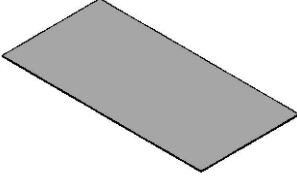
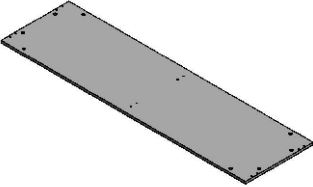
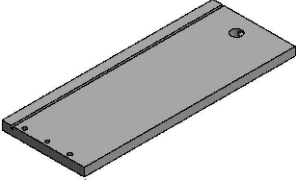
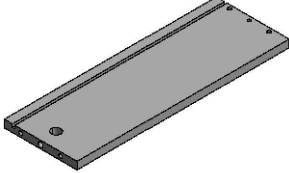
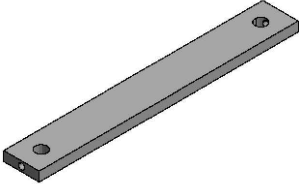
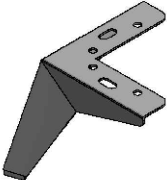
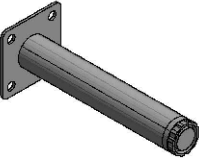
ASSEMBLY INSTRUCTION

PARTS LIST

ITEM	DESCRIPTION	DRAWING	QTY
D1	TOP PANEL		1 PC
D2	LEFT PANEL		1 PC
D3	RIGHT PANEL		1 PC
D4	CENTER PANEL		1 PC
D5	SUPPORT RAIL		2 PCS
D6	FRONT TIPPING PANEL		2 PCS
D7	BACK TIPPING PANEL		2 PCS
D8	BACK PANEL		2 PCS
D9	DRAWER HEAD		6 PCS

ASSEMBLY INSTRUCTION

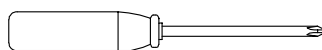
PARTS LIST

ITEM	DESCRIPTION	DRAWING	QTY
D10	DRAWER BACK PANEL		6 PCS
D11	DRAWER BOTTOM PANEL		6 PCS
D12	BOTTOM PANEL		1 PC
19	DRAWER LEFT PANEL		6 PCS
20	DRAWER RIGHT PANEL		6 PCS
21	DRAWER BOTTOM SUPPORT RAIL		6 PCS
22	METAL LEG		4 PCS
D24	CENTER LEG		1 PC

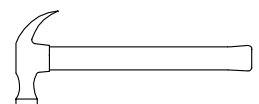
*Note: All parts needed are shown in above picture.
Numbers only indicate the specific parts for easy assembly.

ASSEMBLY TOOLS REQUIRED

1. Screwdriver (not provide)

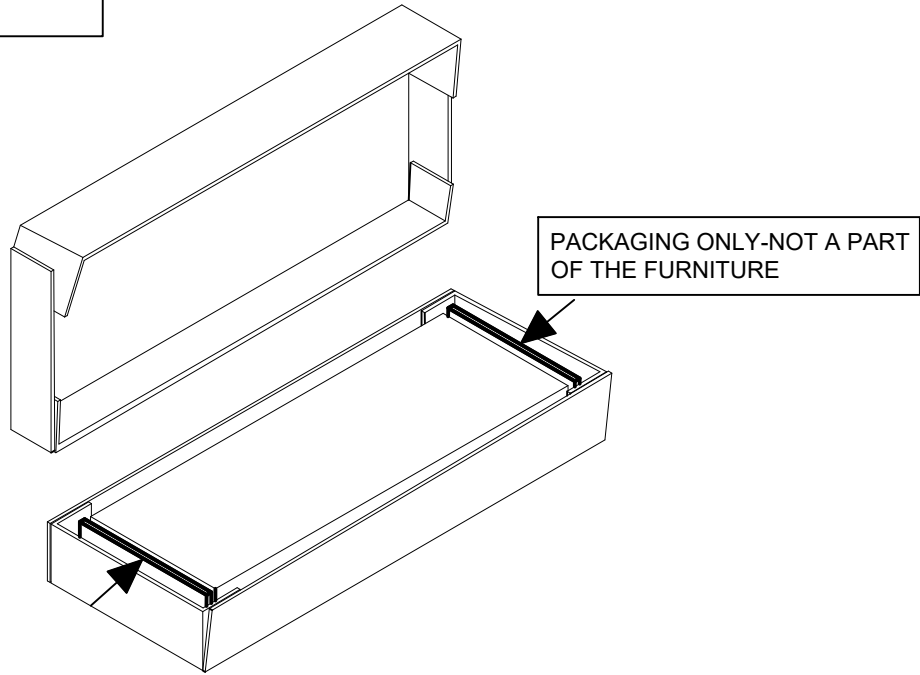


2. Hammer (not provide)

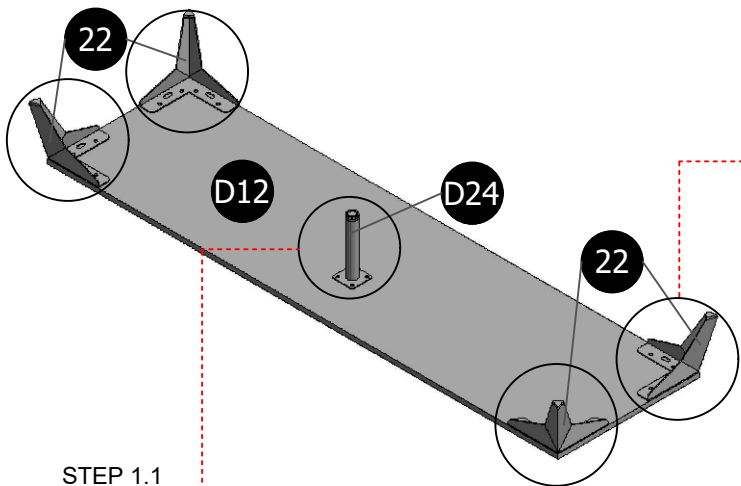


ASSEMBLY INSTRUCTION

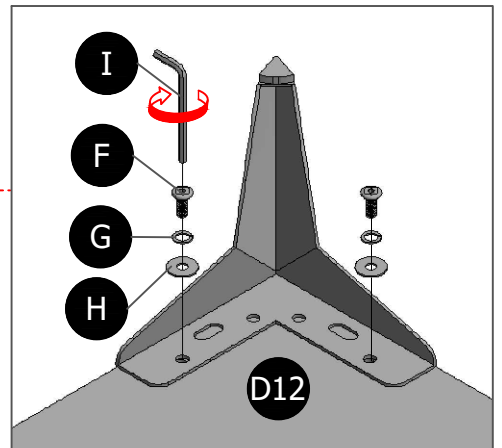
NOTE : - The outer board is for protection of packaging only, not part of furniture. Please throw it before assembly.



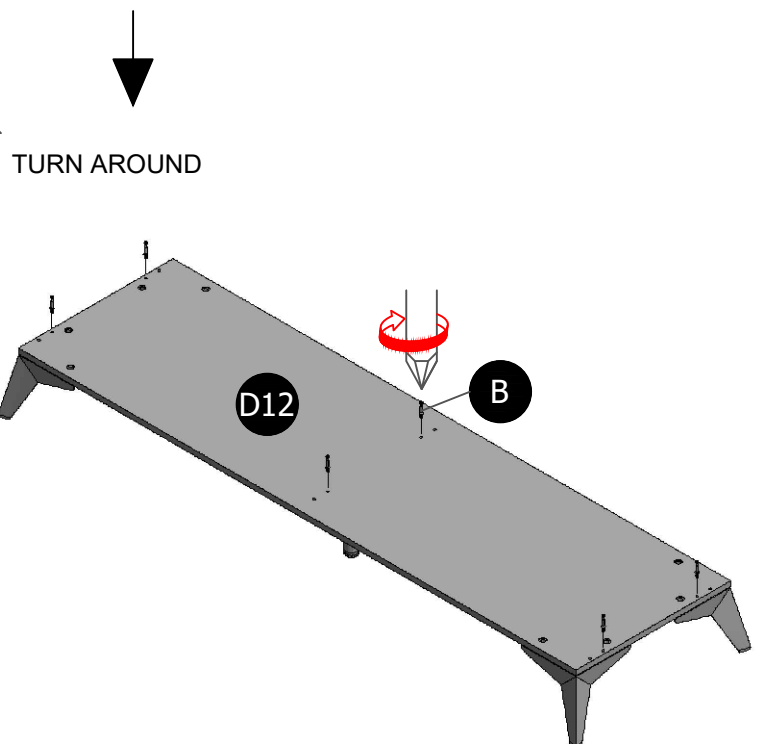
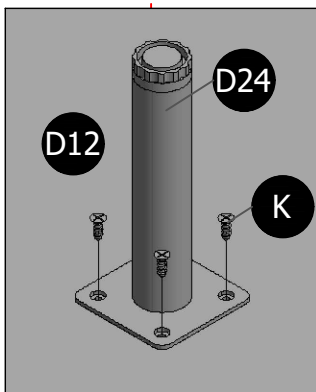
STEP 1



STEP 1.2



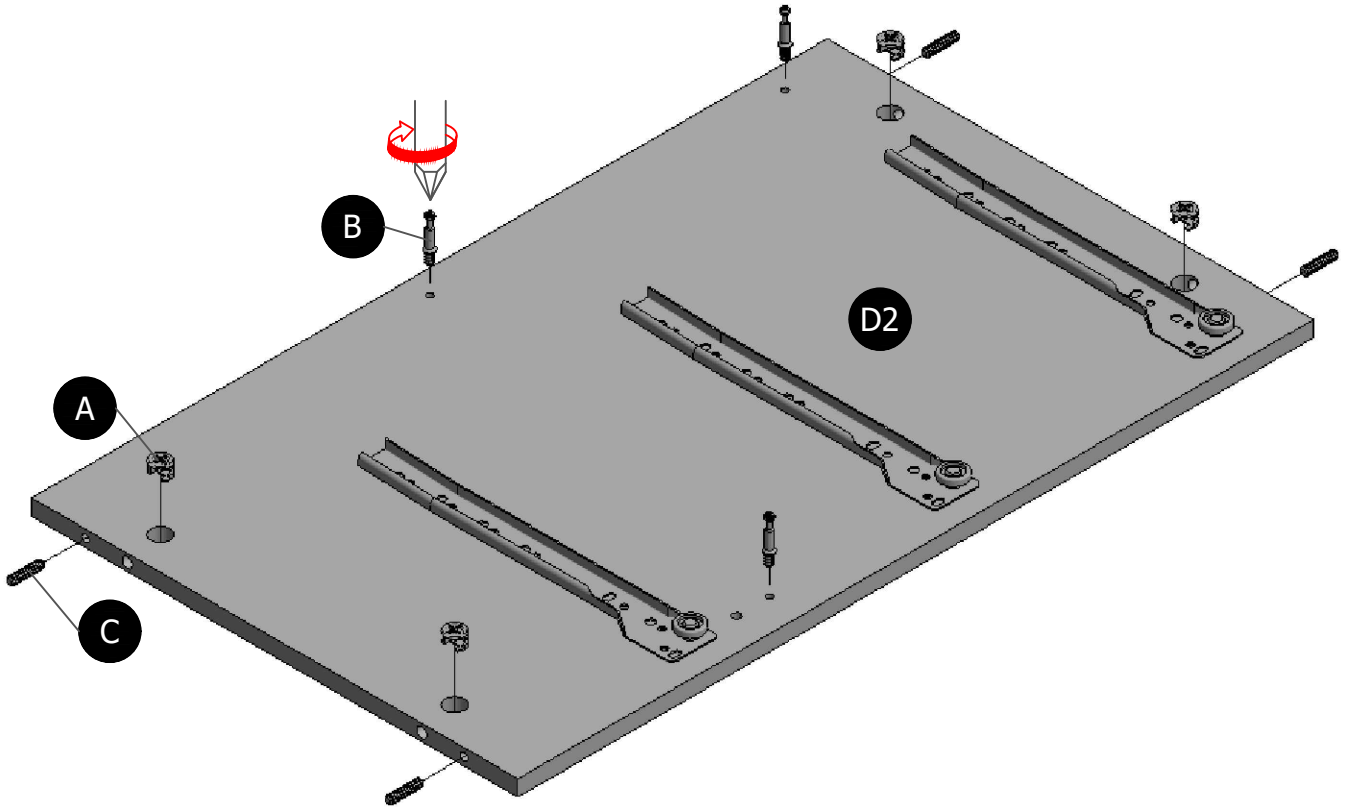
STEP 1.1



ASSEMBLY INSTRUCTION

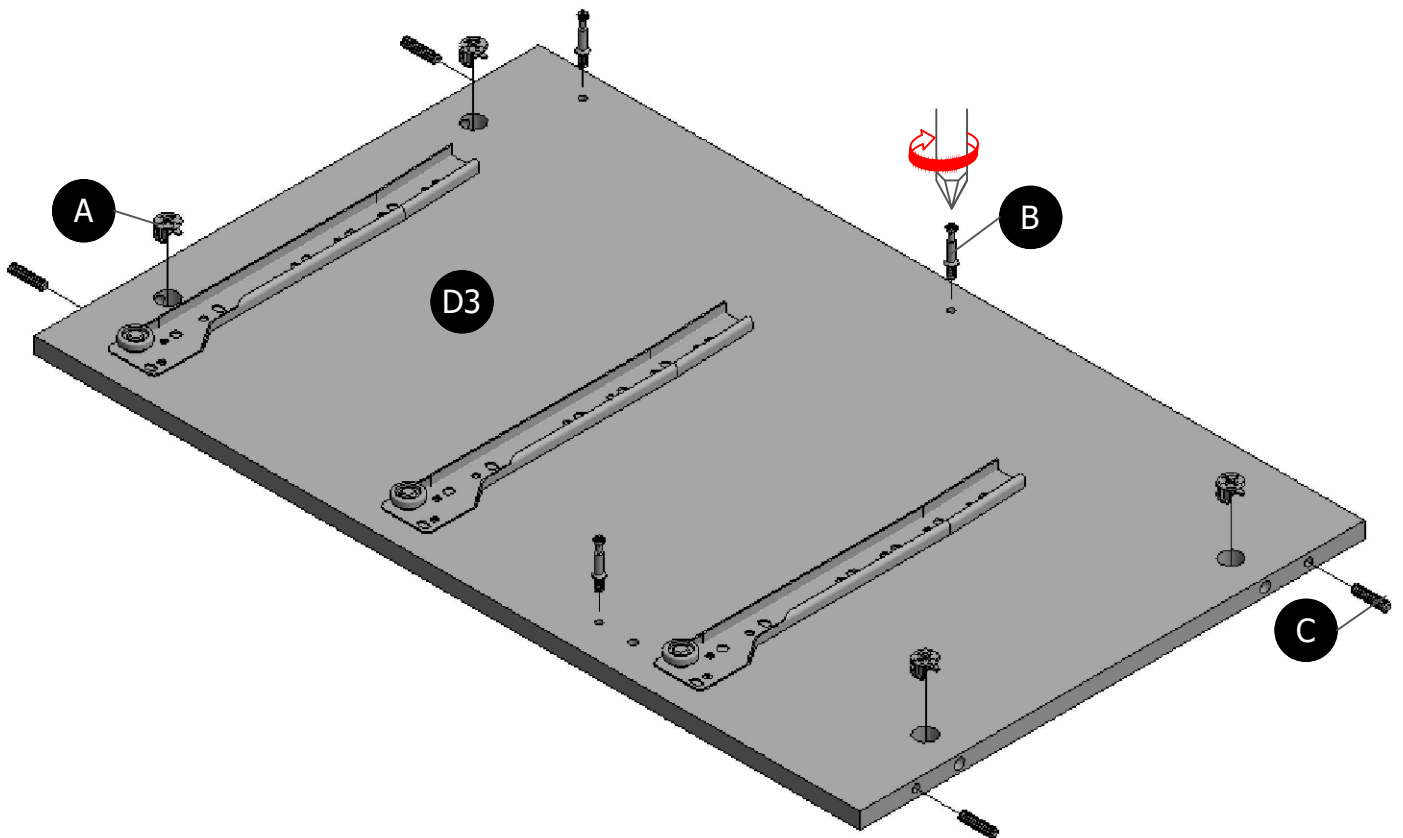
STEP 2

NOTE : - Make sure arrows on each (A) point towards nearest edge with hole.



STEP 3

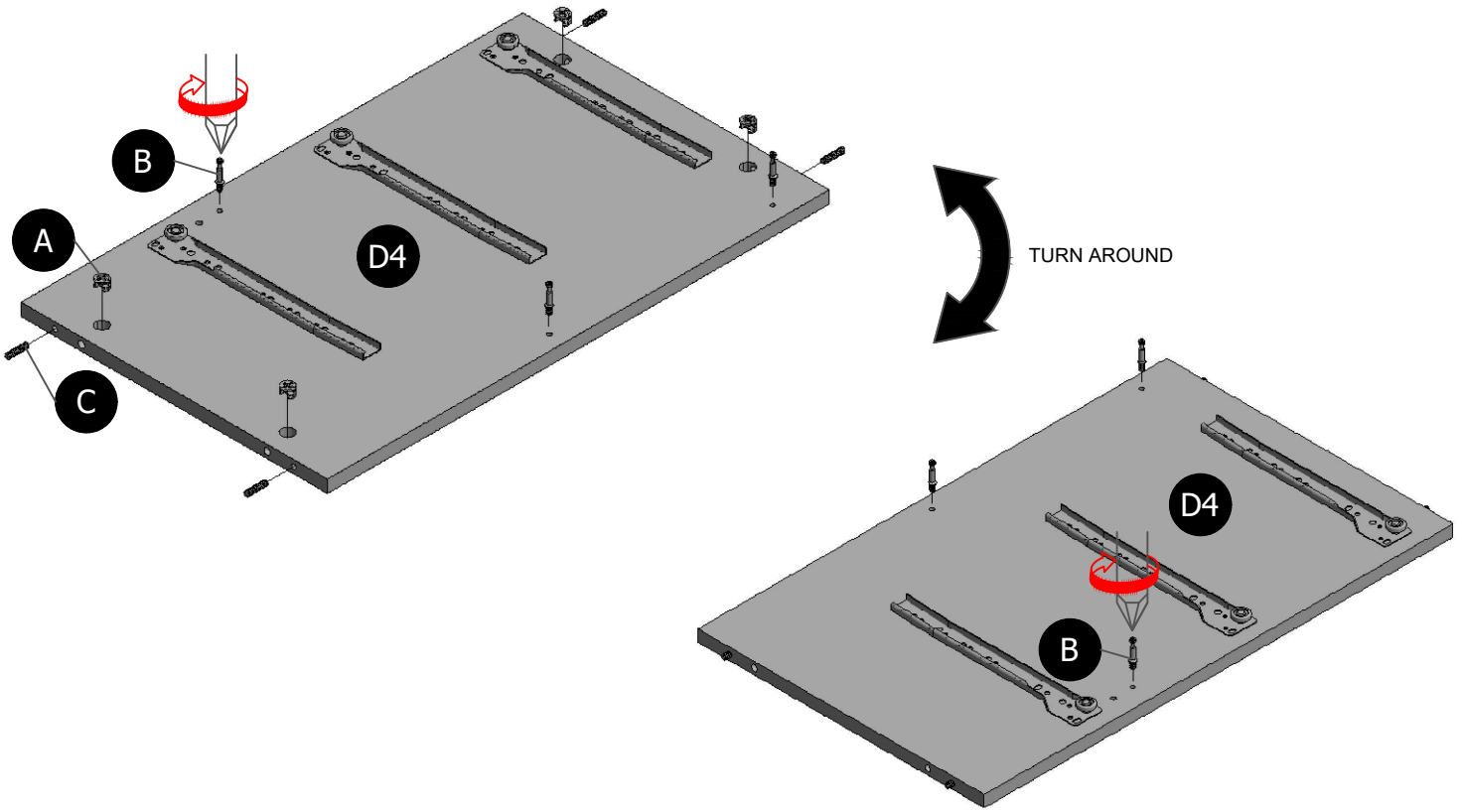
NOTE : - Make sure arrows on each (A) point towards nearest edge with hole.



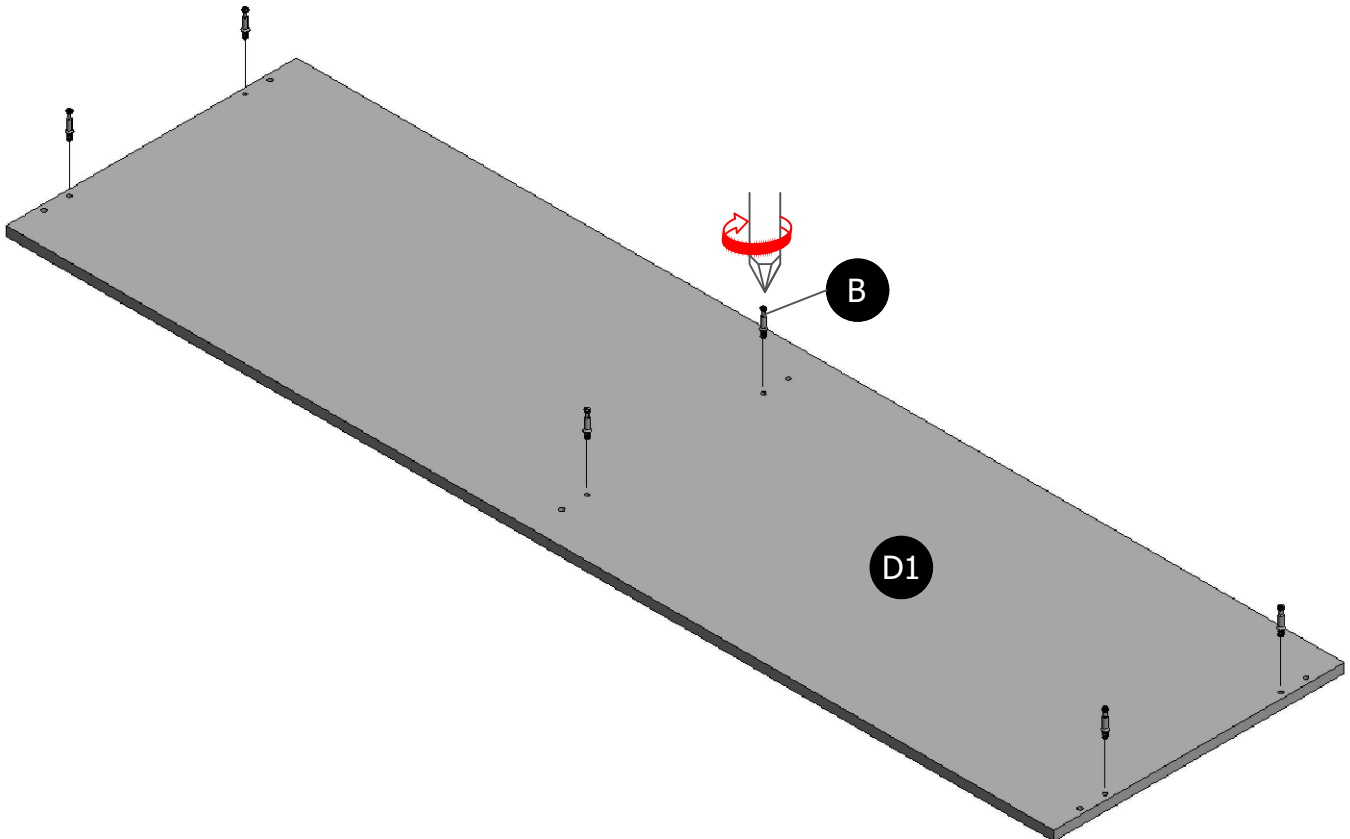
ASSEMBLY INSTRUCTION

STEP 4

NOTE : - Make sure arrows on each (A) point towards nearest edge with hole.



STEP 5

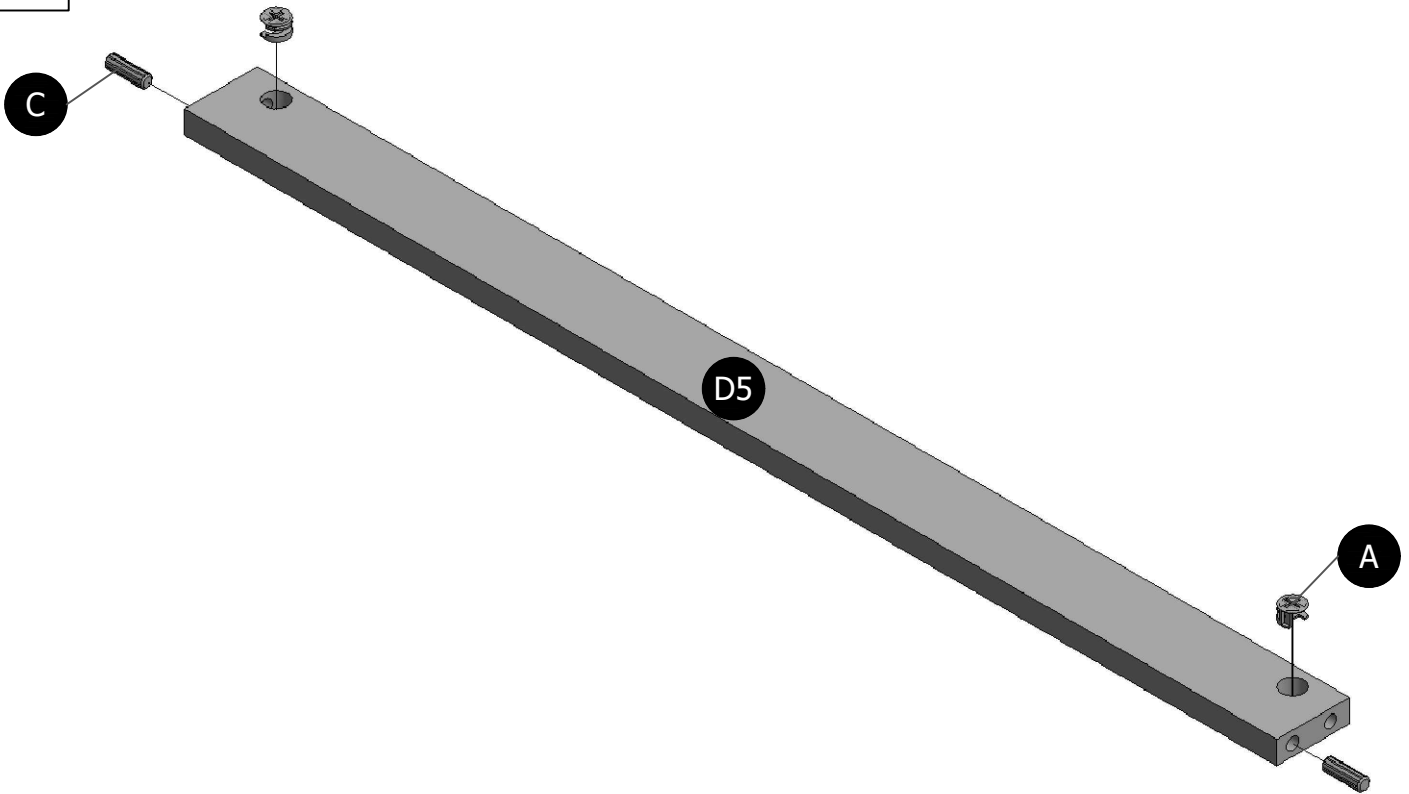


ASSEMBLY INSTRUCTION

STEP 6

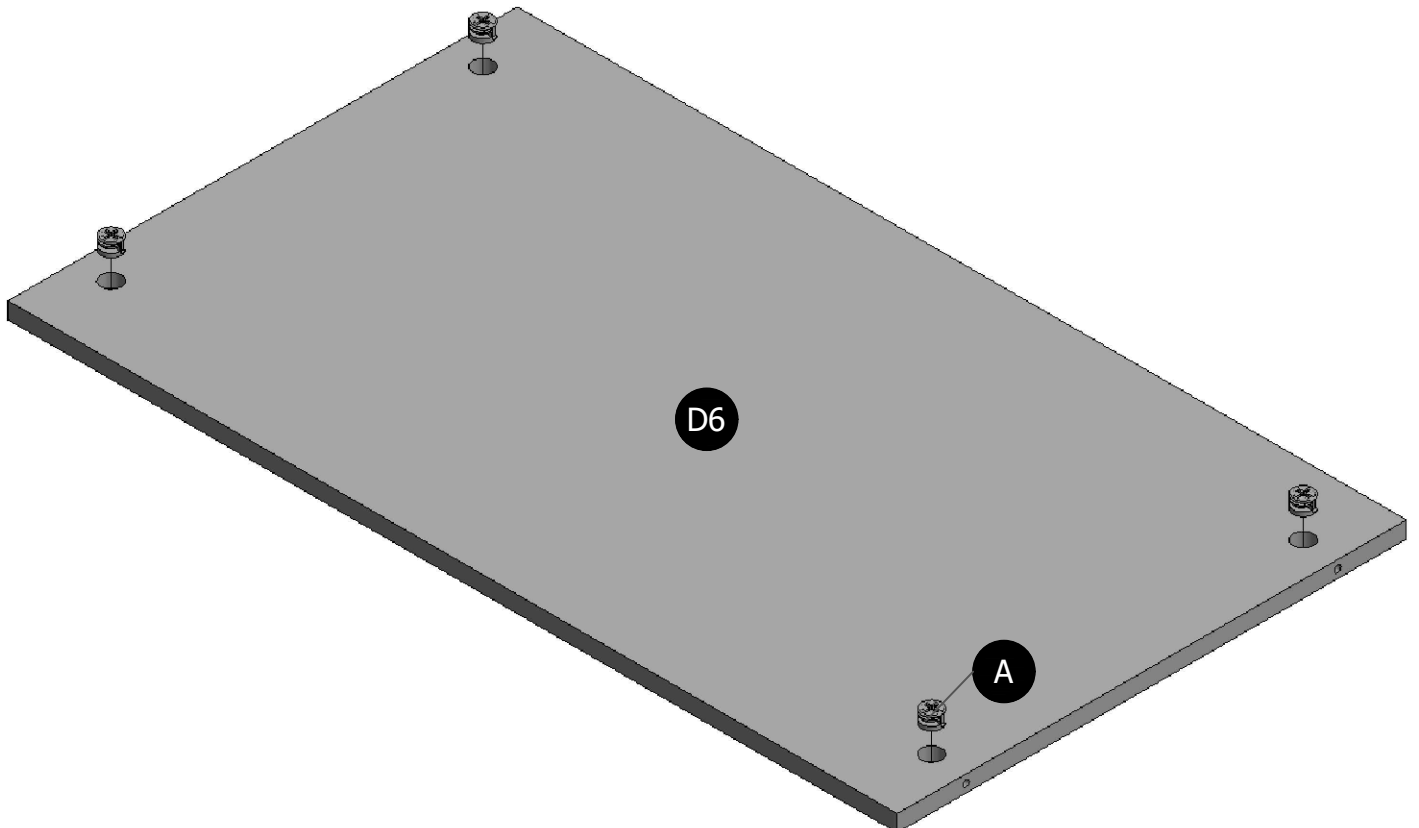
NOTE : - Make sure arrows on each (A) point towards nearest edge with hole.

x 2



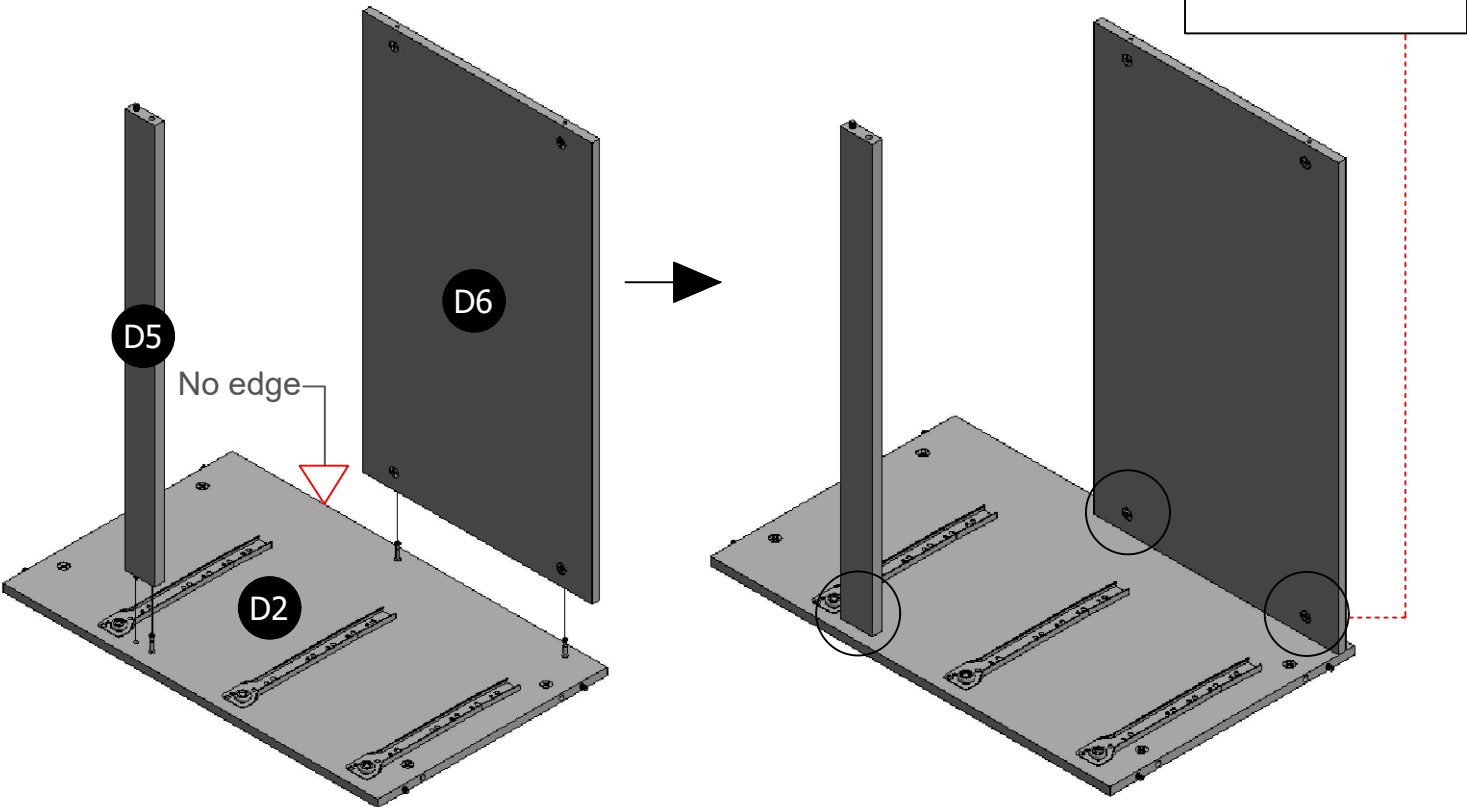
STEP 7

x 2

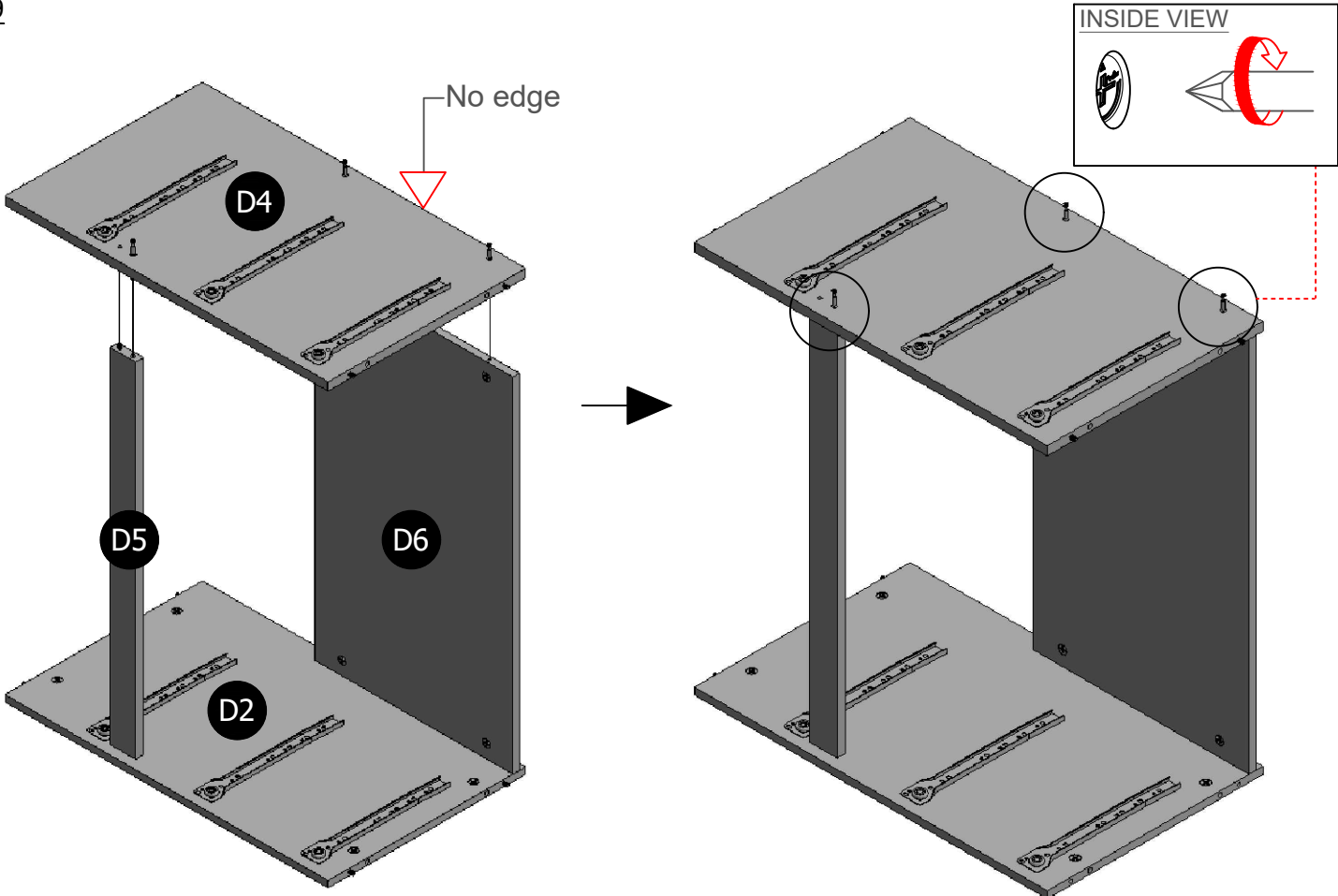


ASSEMBLY INSTRUCTION

STEP 8

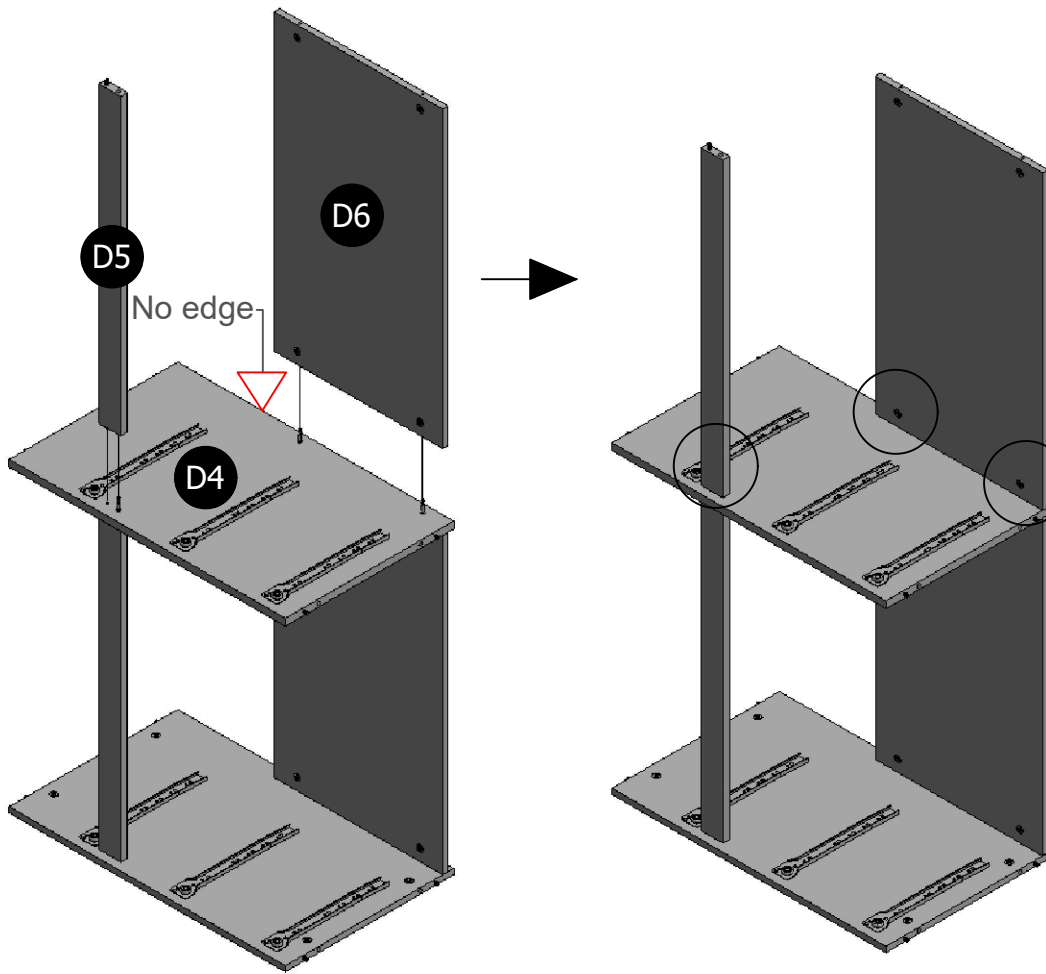


STEP 9

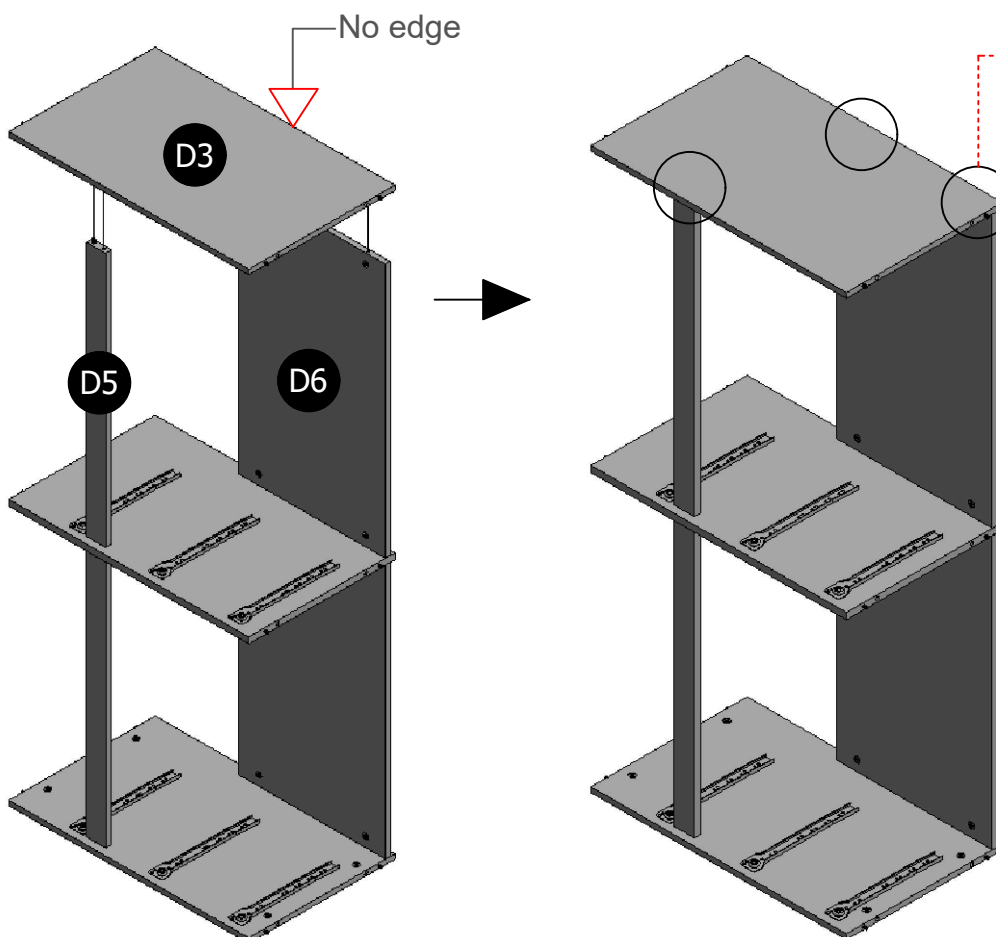


ASSEMBLY INSTRUCTION

STEP 10

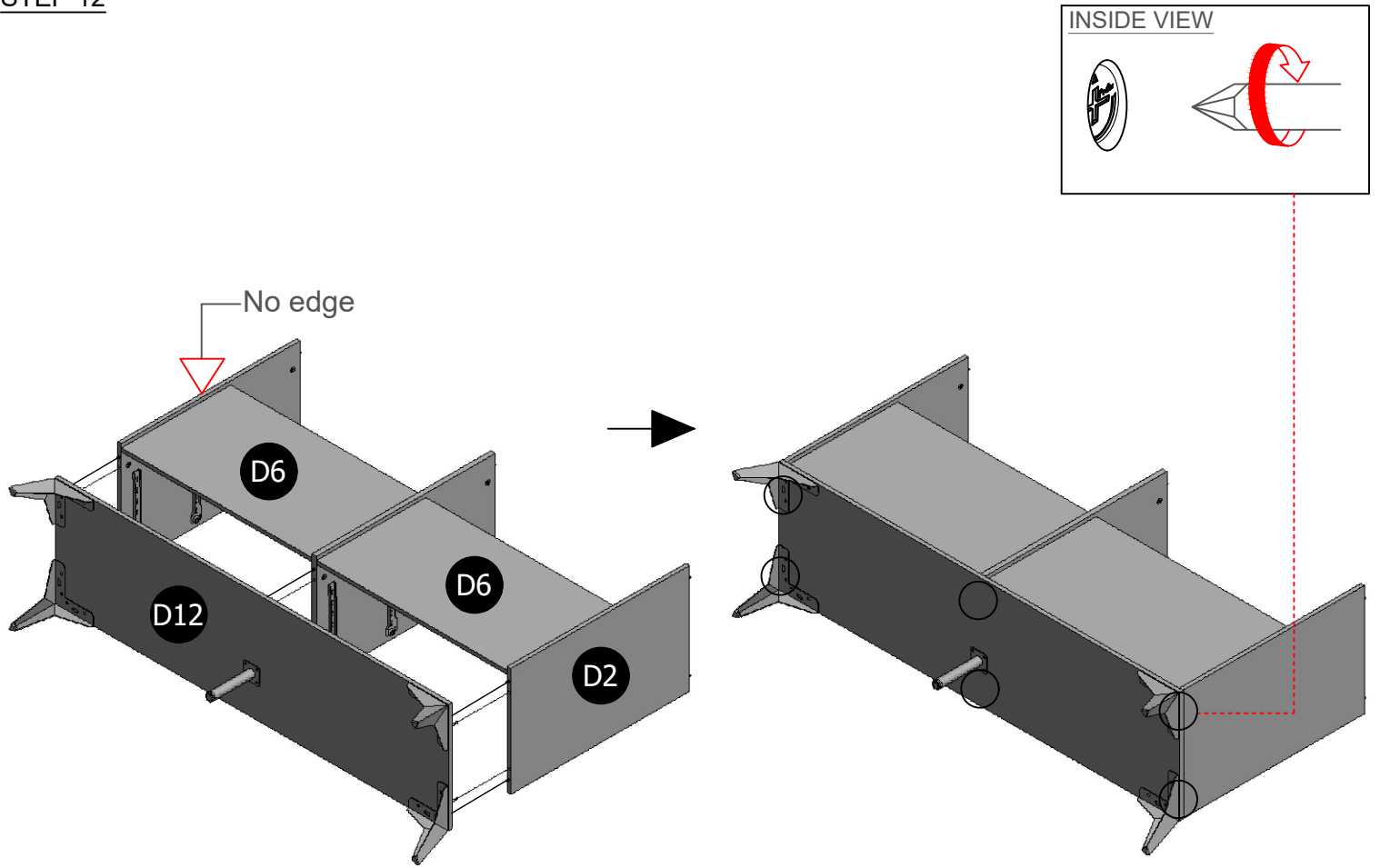


STEP 11

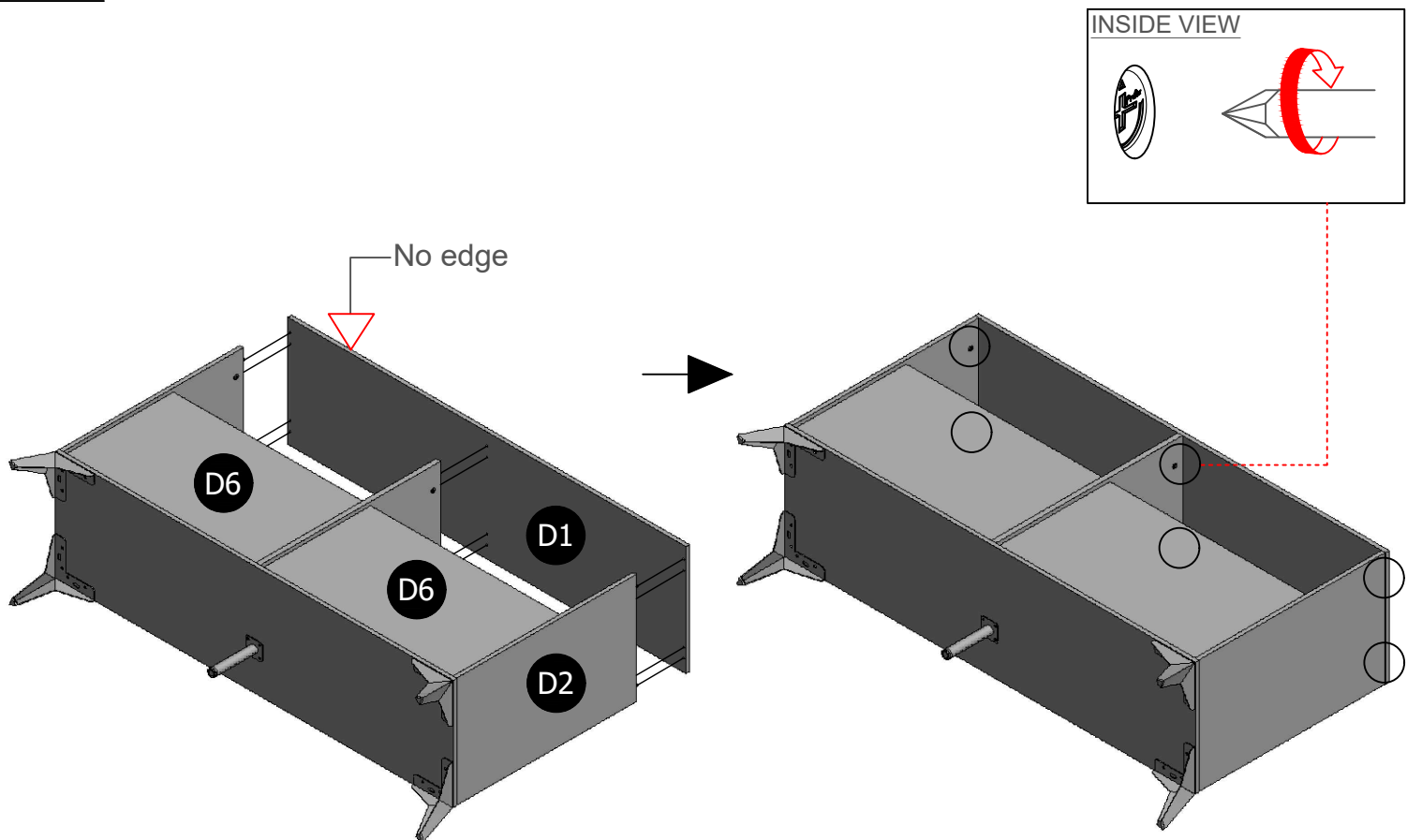


ASSEMBLY INSTRUCTION

STEP 12

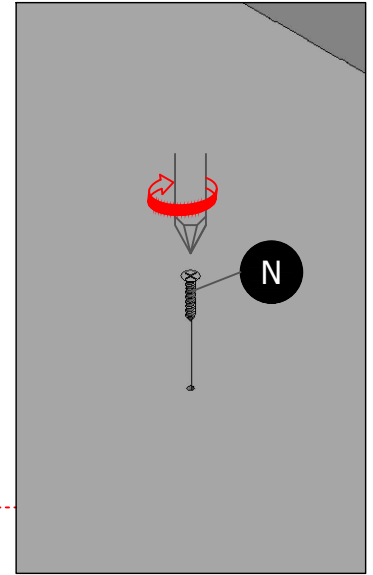
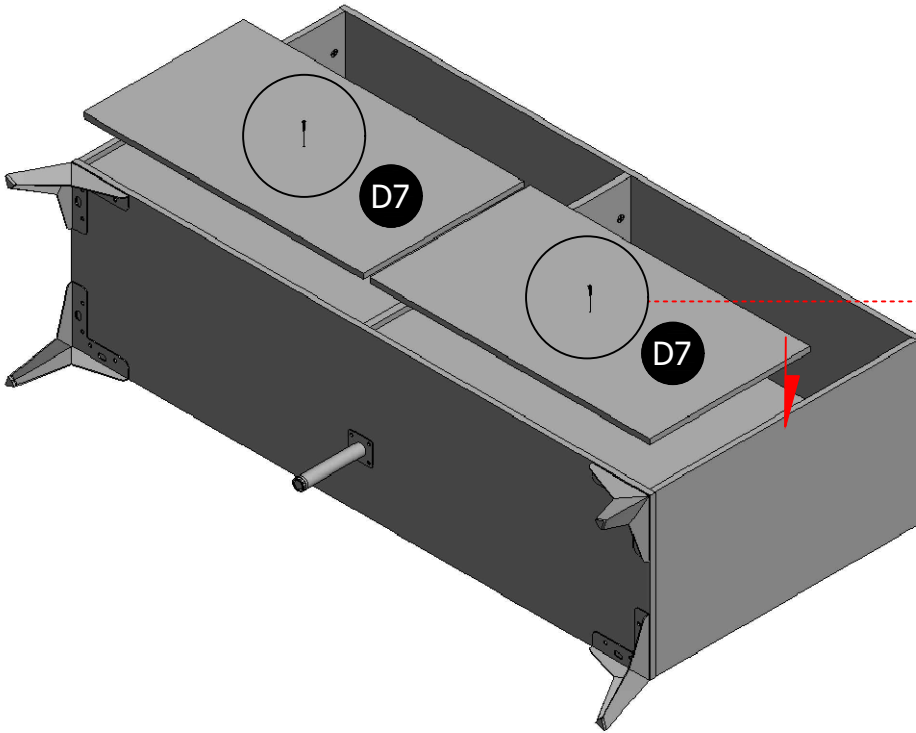


STEP 13



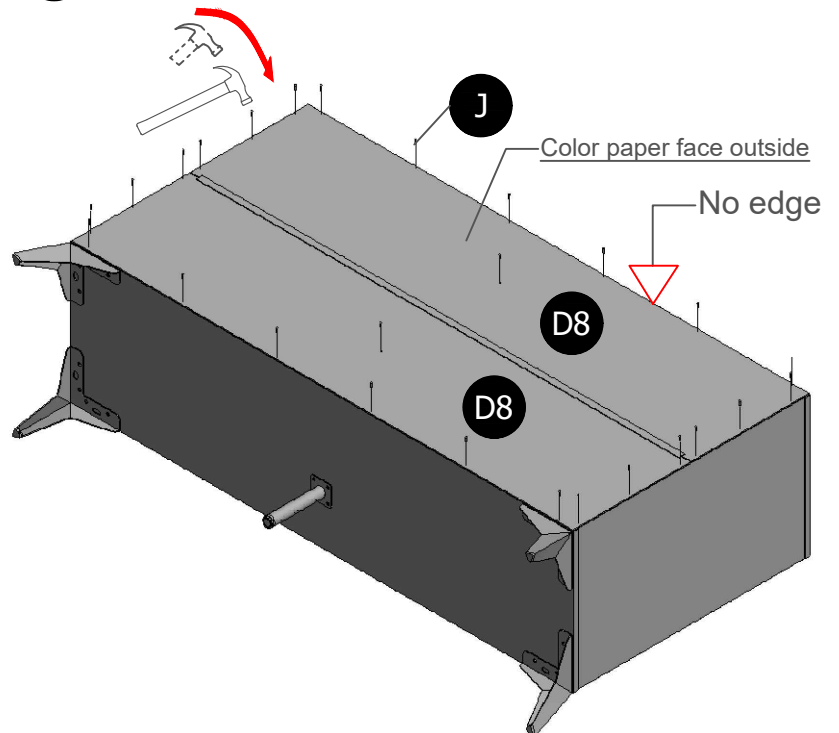
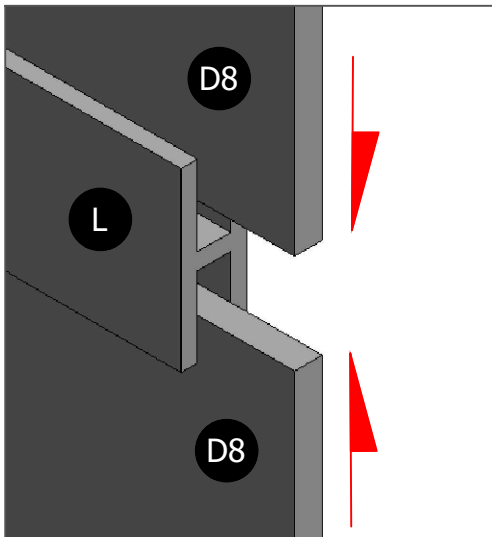
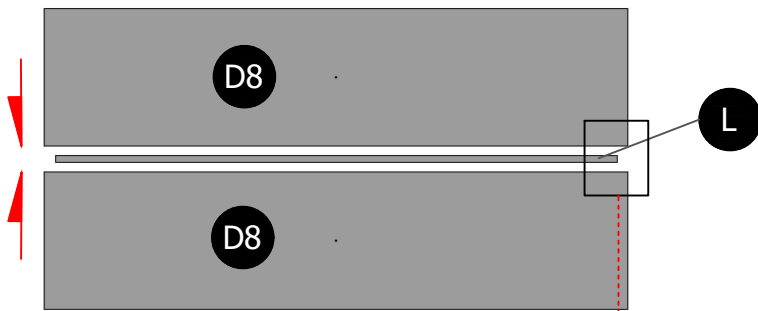
ASSEMBLY INSTRUCTION

STEP 14



STEP 15

Side with color paper must be the same.

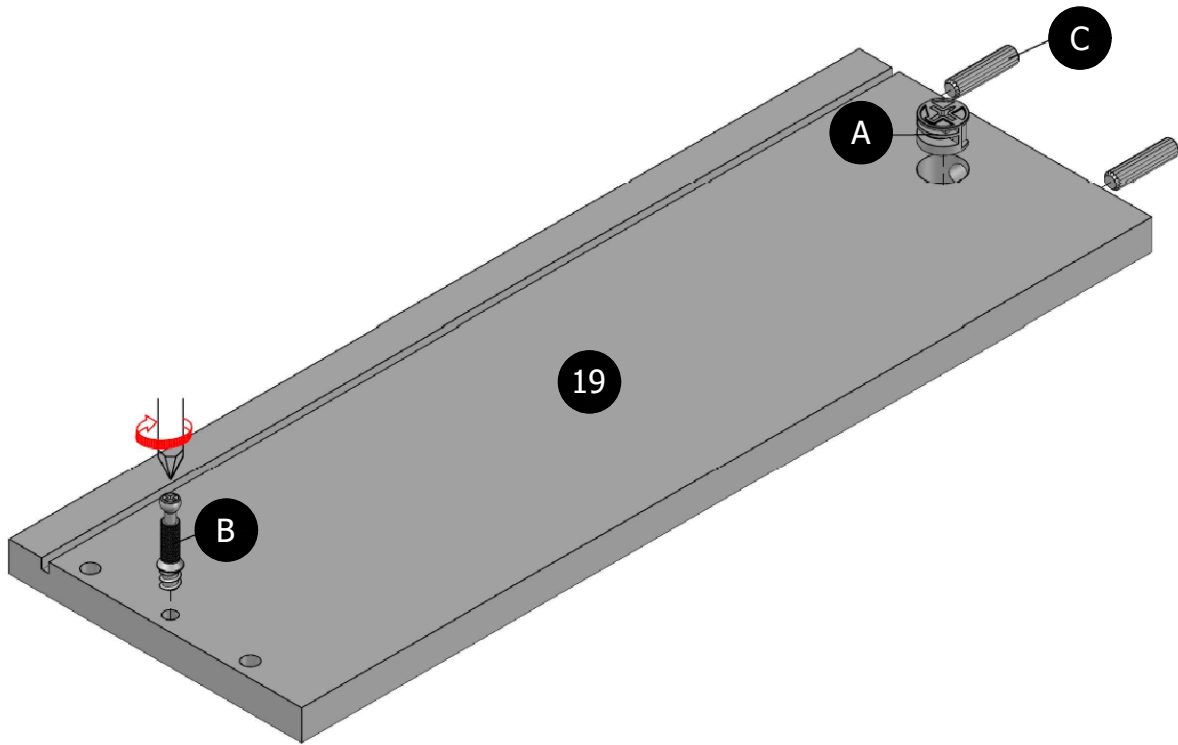


ASSEMBLY INSTRUCTION

STEP 18

NOTE : - Make sure arrows on each (A) point towards nearest edge with hole.

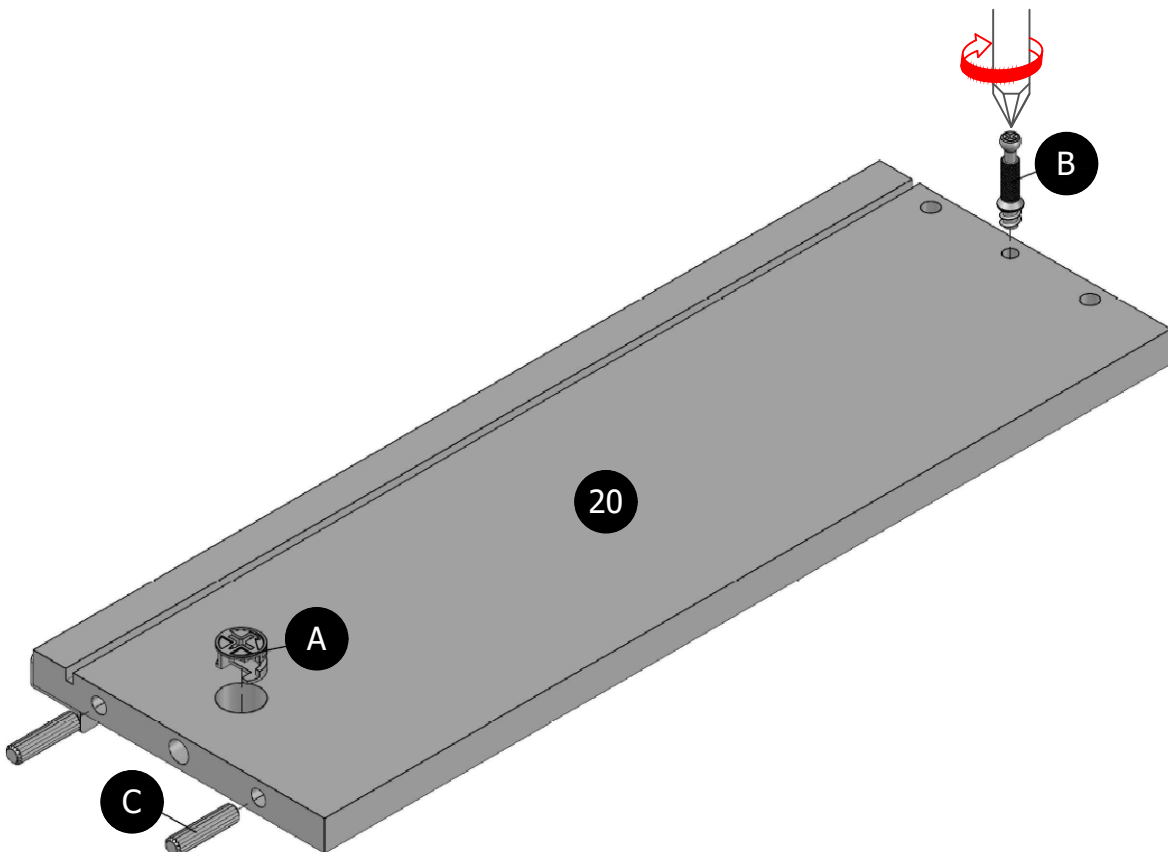
x 6



STEP 19

NOTE : - Make sure arrows on each (A) point towards nearest edge with hole.

x 6

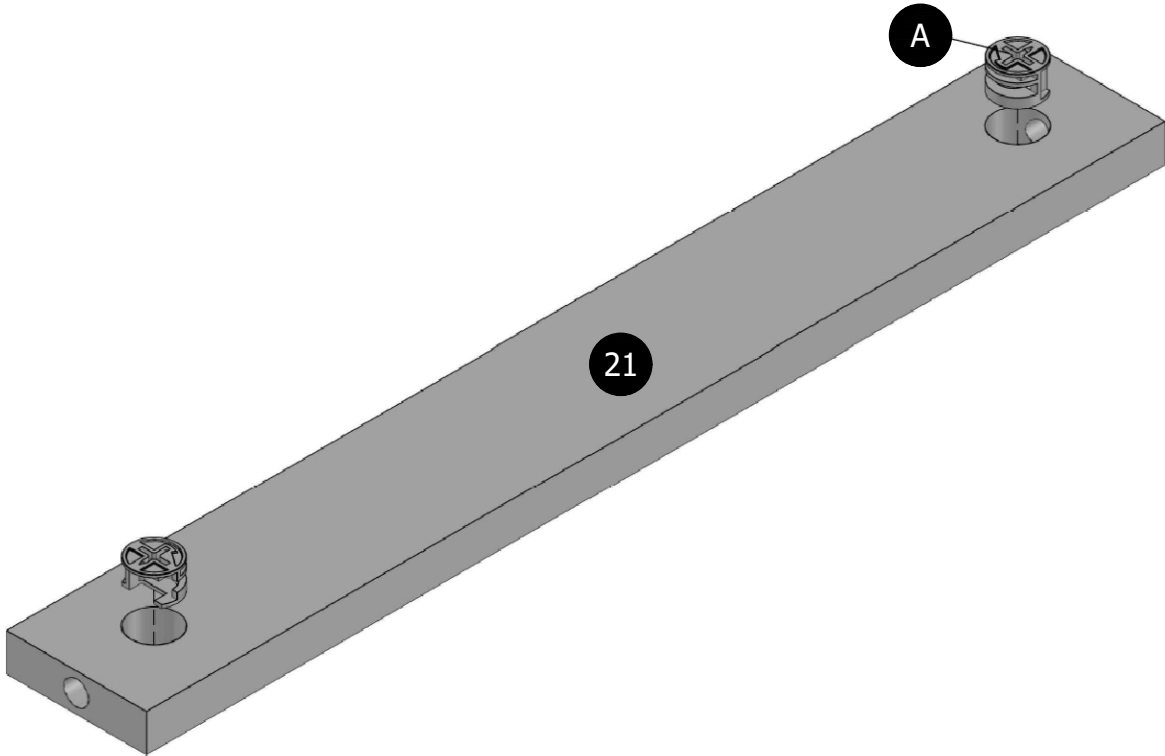


ASSEMBLY INSTRUCTION

STEP 20

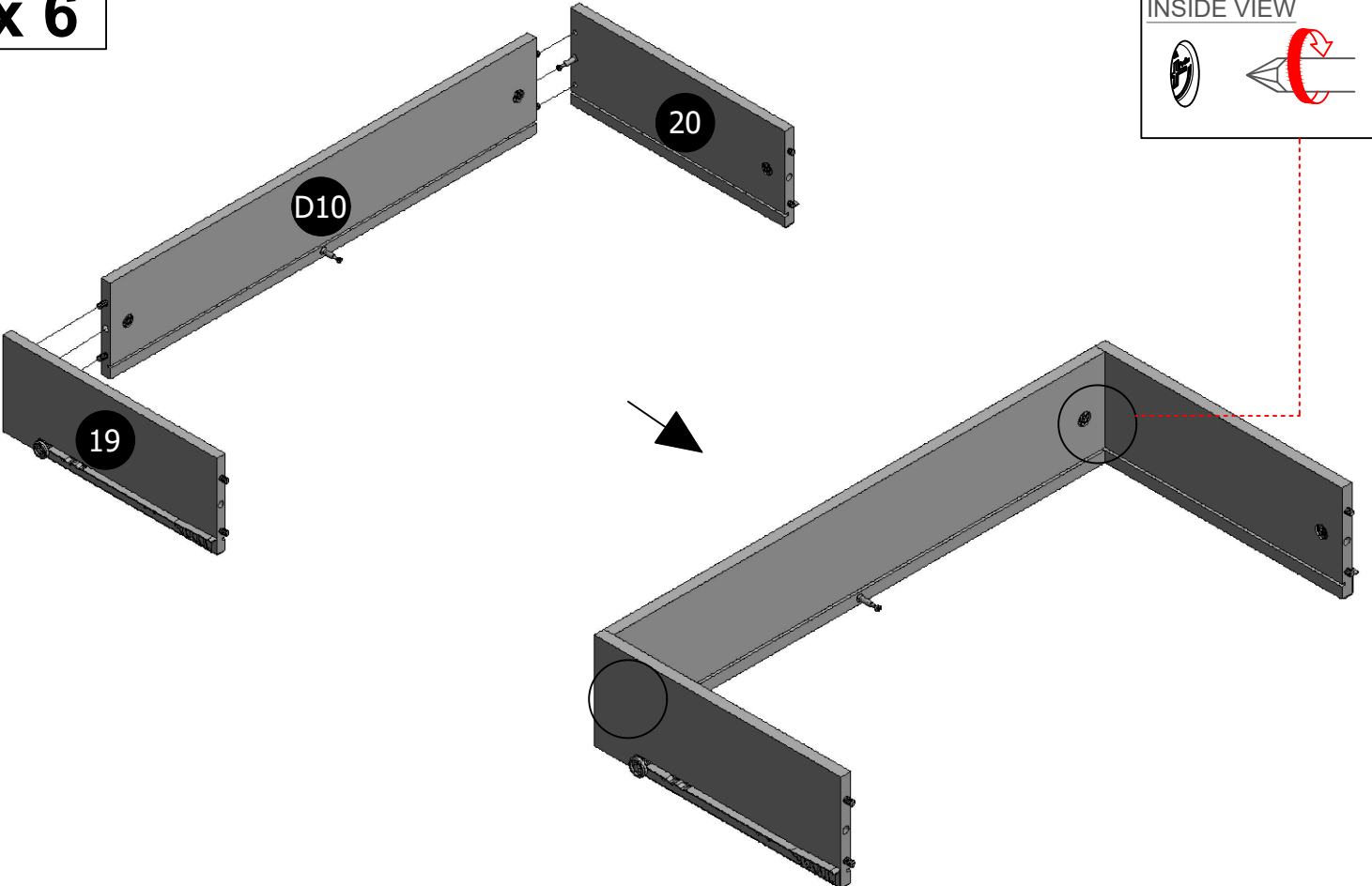
NOTE : - Make sure arrows on each (A) point towards nearest edge with hole.

x 6



STEP 21

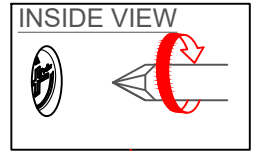
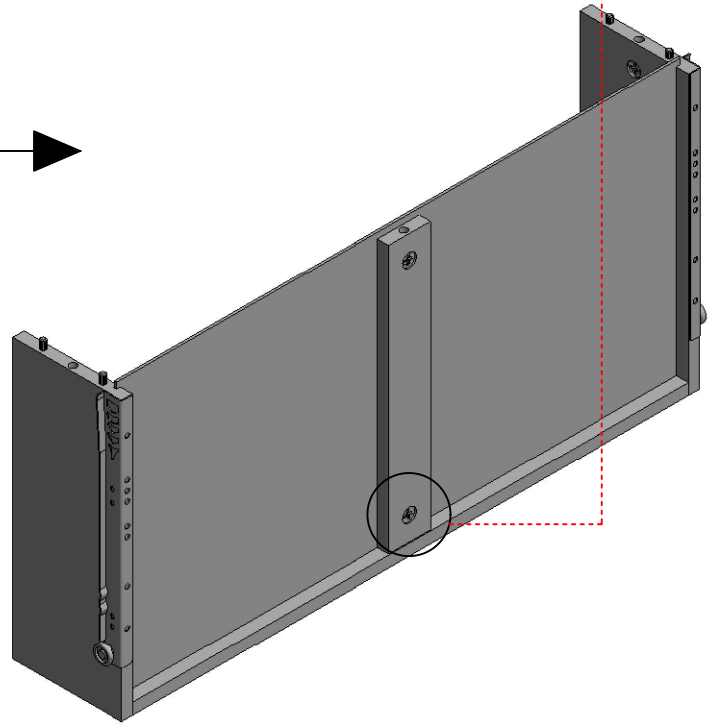
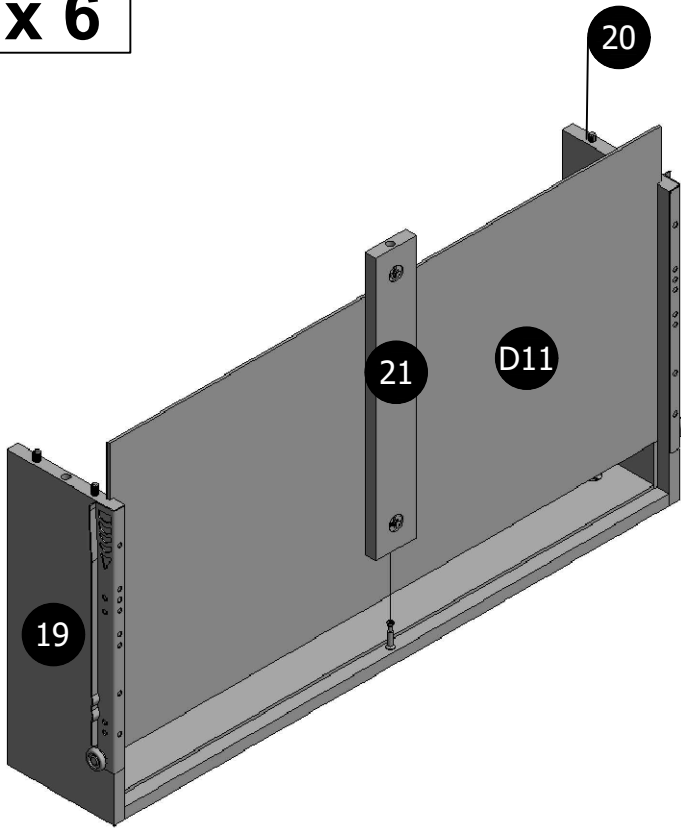
x 6



ASSEMBLY INSTRUCTION

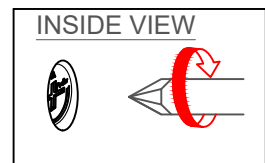
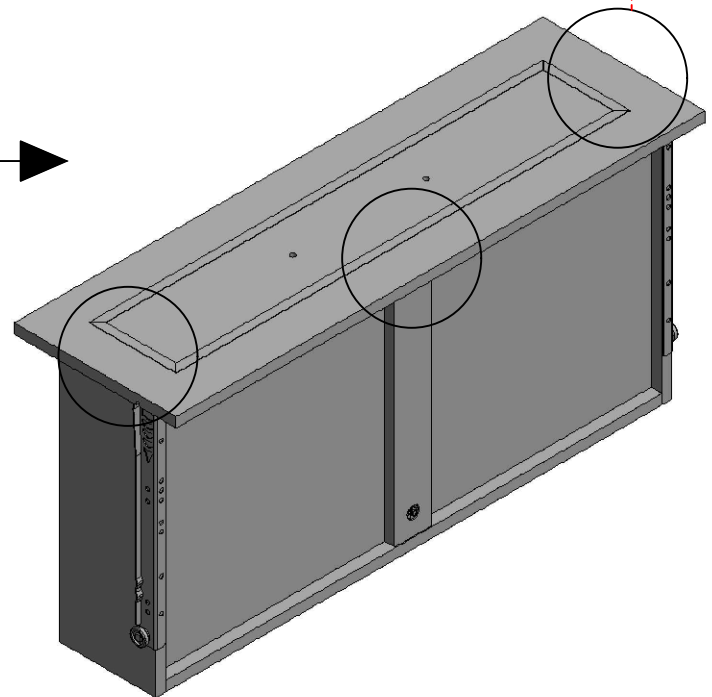
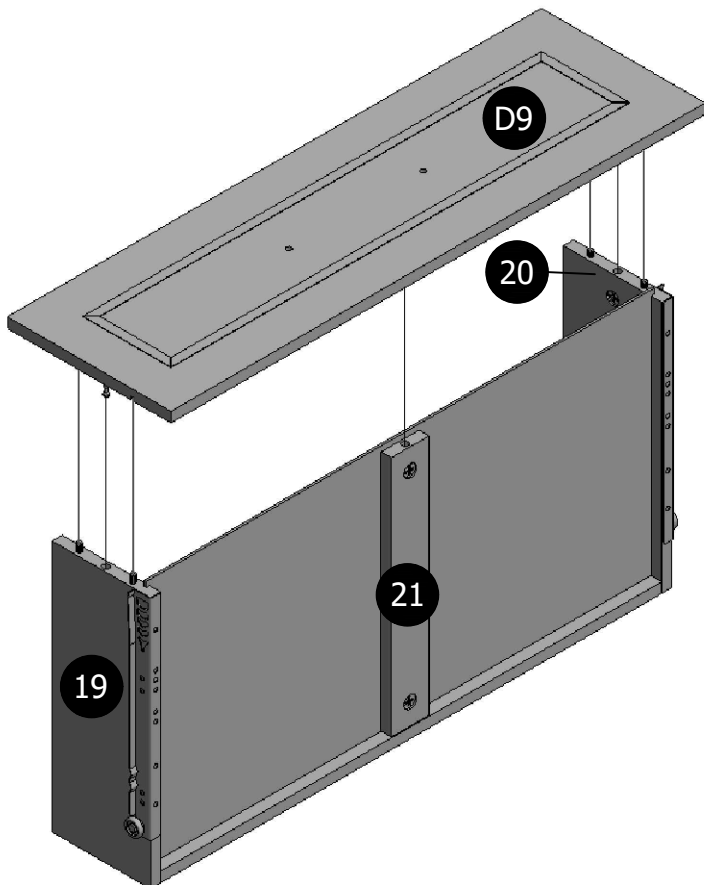
STEP 22

x 6



STEP 23

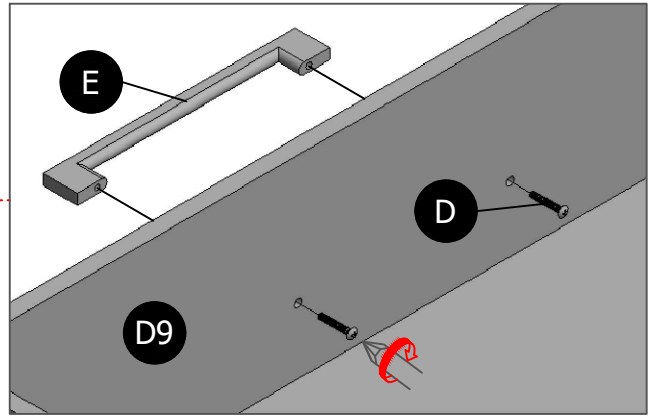
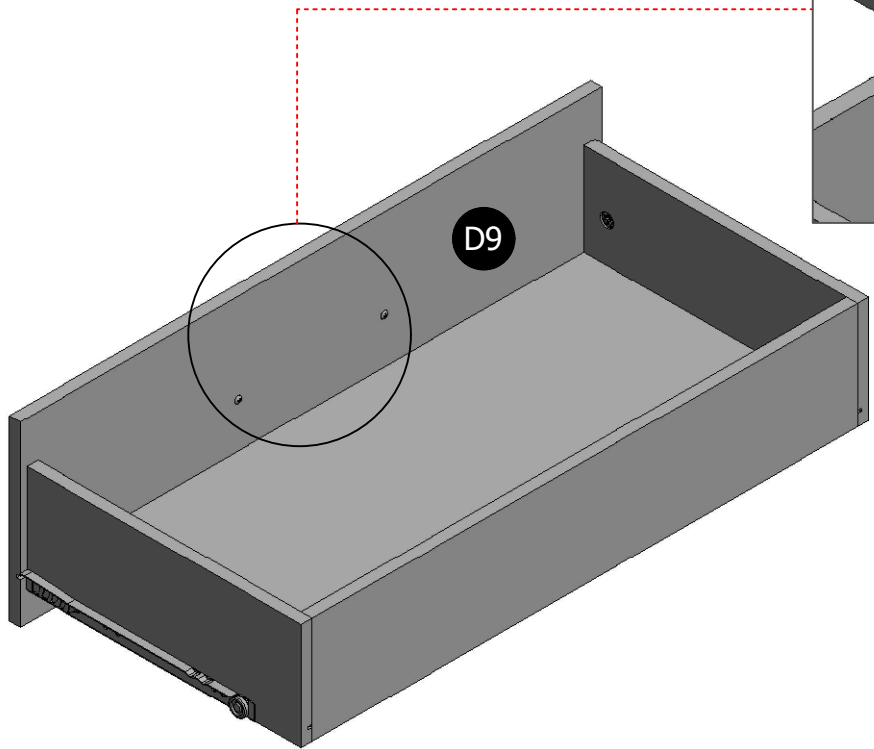
x 6



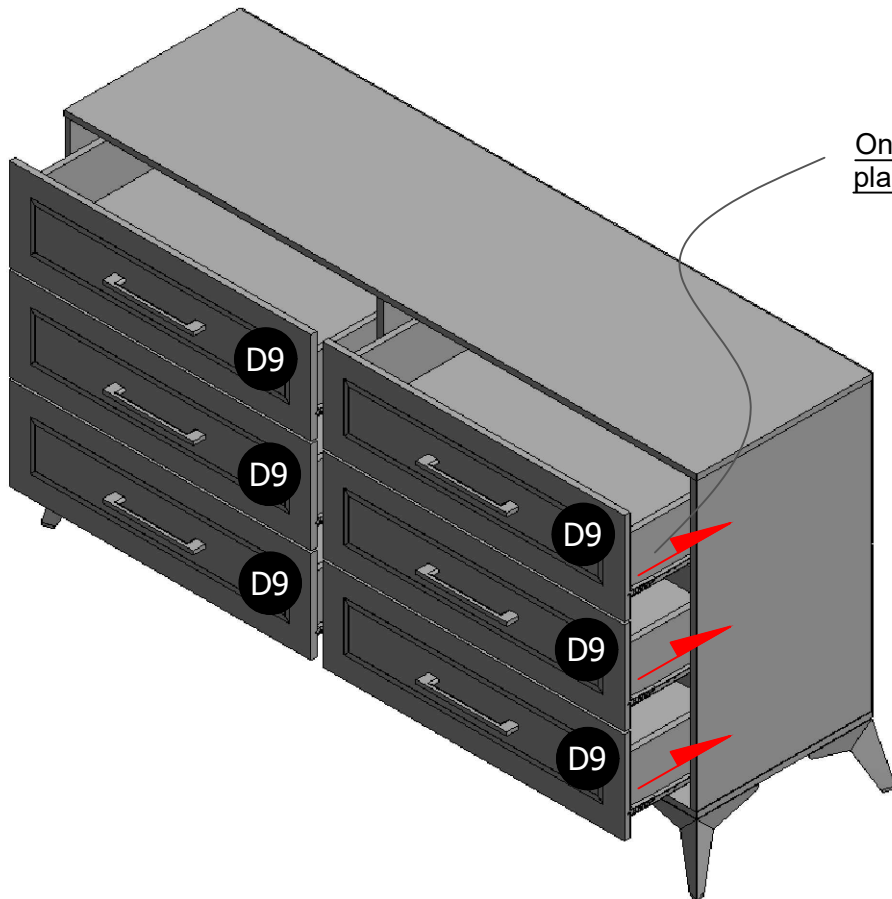
ASSEMBLY INSTRUCTION

STEP 24

x 6



STEP 25



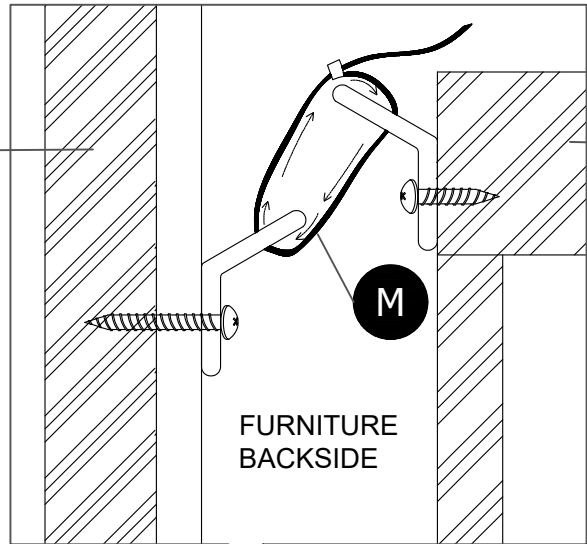
One of (20) with sticker
place it to the top of right side.

ASSEMBLY INSTRUCTION

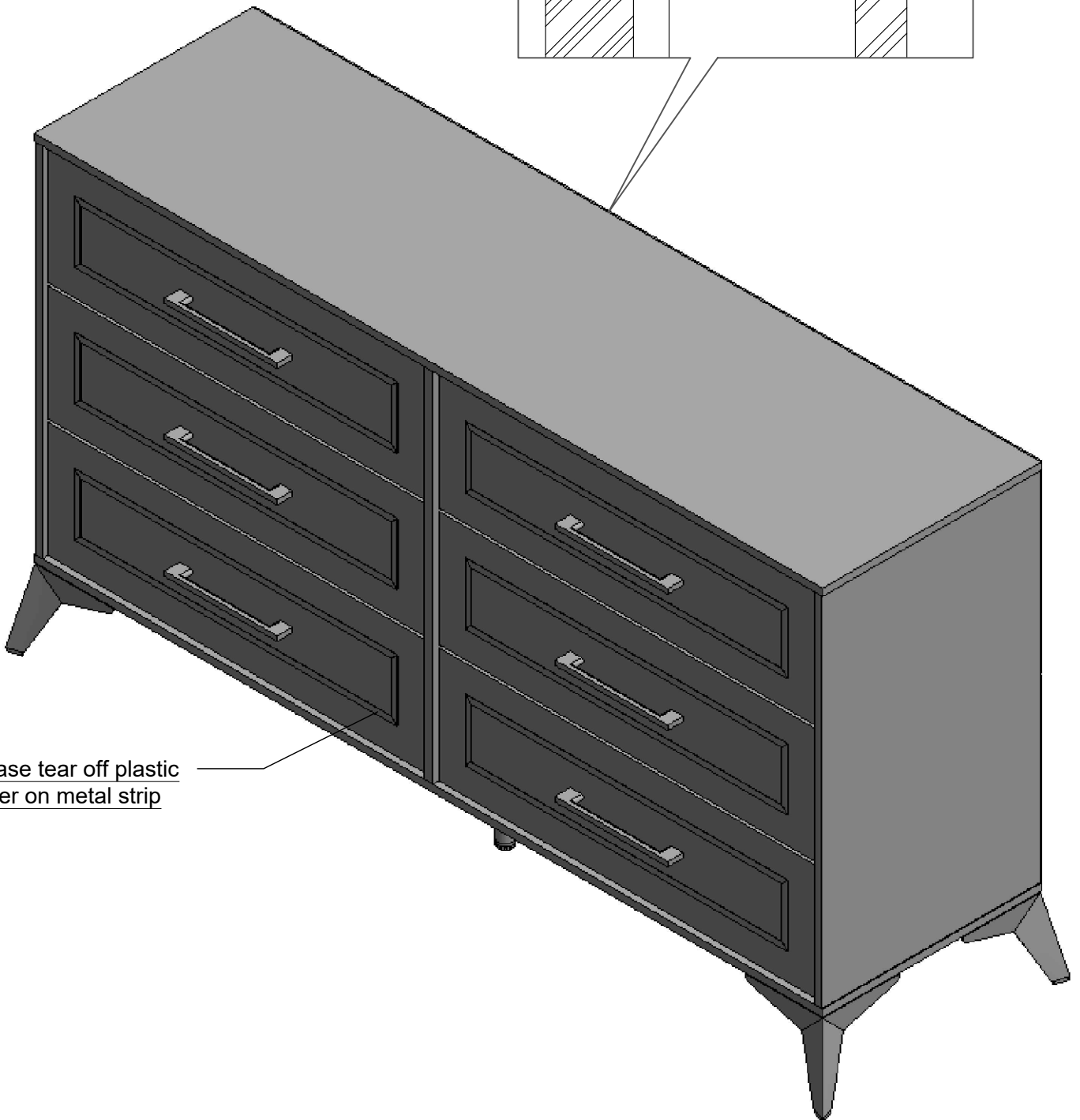
STEP 26

WALLBOARD AND STUD

FURNITURE TOP



FURNITURE BACKSIDE



Please tear off plastic cover on metal strip

ASSEMBLY COMPLETED