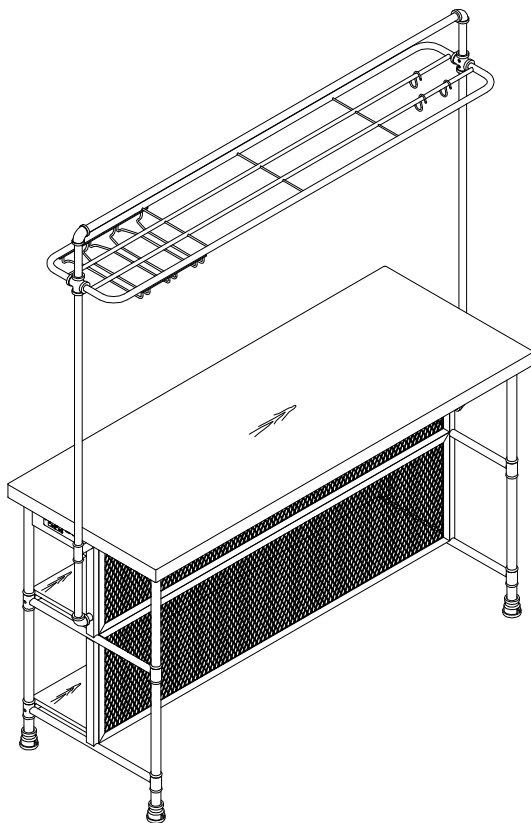


ASSEMBLY INSTRUCTIONS



TOOLS REQUIRED



Allen Wrench

(Included)



Phillips Screwdriver

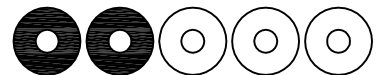
(Not Included)



2 - People

Recommended

ASSEMBLY RATING



EASY ————— DIFFICULT

The Assembly Rating is a 5-point system showing the level of effort needed to assemble a specific product.



CHECK BEFORE STARTING

Are you missing anything?

Double-check all parts, hardware and accessories listed are all accounted for.

Check out our Quick Tips!

We recommend reviewing the pre-assembly handouts. Even experts need a refresher now and then!

Should we send any replacements?

Are there any irregularities or flaws in the parts? We can send replacements!

Prep Time!

Please review the assembly instructions and all diagrams prior to assembling.

PRE ASSEMBLY INTRODUCTION

We understand building ready-to-assemble furniture can be a challenging experience for some. To help avoid confusion, we have provided some helpful tips that may speed up the process.



Teamwork

ALWAYS have at least two people to help with transporting and assembling the product to avoid potential injury and/or damage.



Suitable Location

Assembling near the area of the intended location is highly recommended.



Sufficient Space

Make sure you have enough space to move around during the assembly.



Avoid Scratches

Use cardboard, blankets or a carpeted area while assembling furniture to prevent to prevent scratches and damages.



Flat Surface

Make sure the furniture rests on a flat and level surface with each leg evenly touching the floor.

ASSEMBLY AND CARE ADVICE



FAILURE TO FOLLOW THE GUIDELINES BELOW MAY RESULT IN INJURY AND/OR PROPERTY DAMAGE.



Position each part correctly and insert screws or bolts into their respective holes.



Turn clockwise to tighten and only tighten when step is completed or when instructed to do so.



Use the appropriate hand tools or power tools for assembly. Select steps, such as tightening screws and/or bolts, may require hand tools to avoid causing damage during assembly.



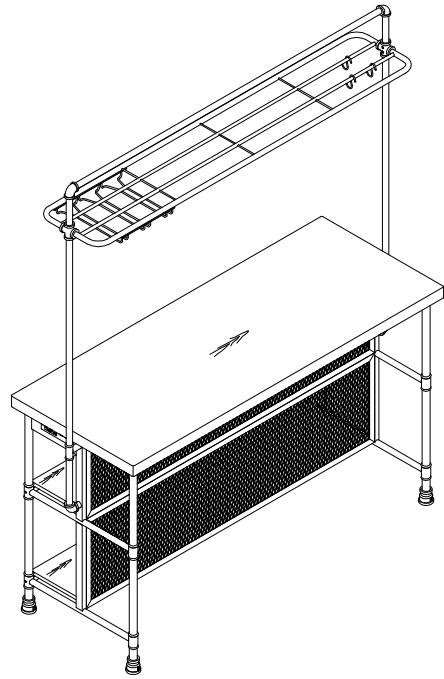
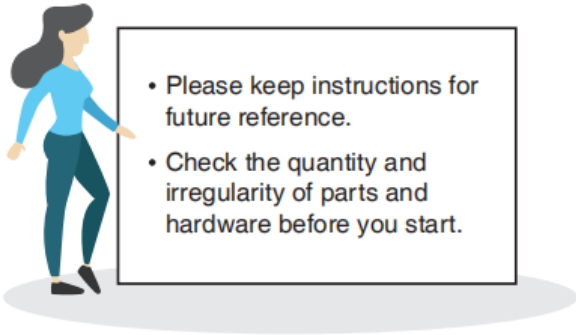
Save the instructions and store any supplied tools for later maintenance.



After two weeks, check and tighten any loose hardware and repeat again every six months thereafter.

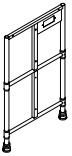
IT IS THE USER'S RESPONSIBILITY TO MAINTAIN THE FURNITURE. THE HARDWARE MAY LOOSEN OVER TIME AND MAY CAUSE THE FURNITURE TO BE WOBBLY AND UNABLE TO SUPPORT ITS INTENDED WEIGHT CAPACITY. THIS MAY LEAD TO COLLAPSE AND MAY CAUSE SERIOUS INJURY.

Counter height table with USB port & power outlet



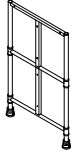
PARTS

#1 1pc



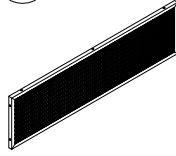
L Leg

#2 1pc



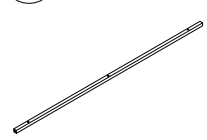
R Leg

#3 2pcs



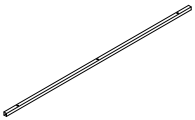
Middle Frame

#4 2pcs



Support Tube

#5 2pcs



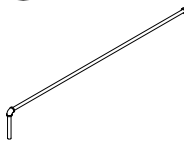
Back Support Tube

#6 2pcs



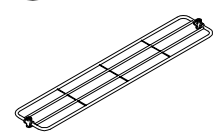
Up-Right Tube

#7 1pc



Top Tube

#8 1pc



Top Frame

#9 1pc

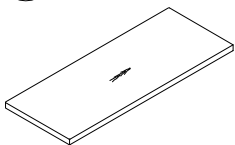
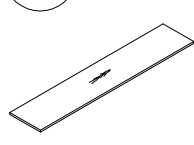


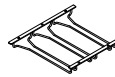
Table Board

#10 2pcs



Shelf Board

#11 1pc



Cup Holder

#12 1pc



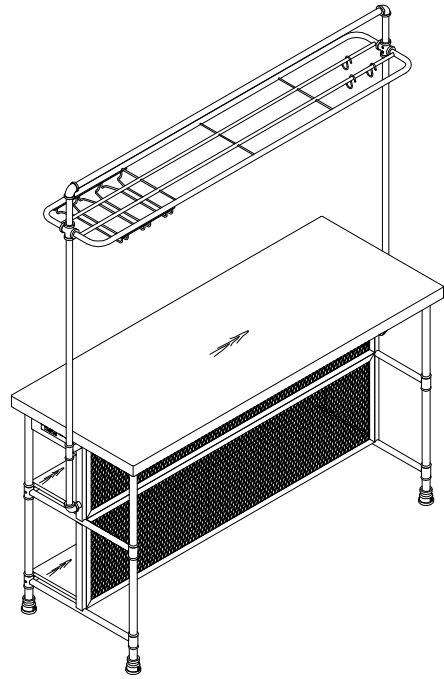
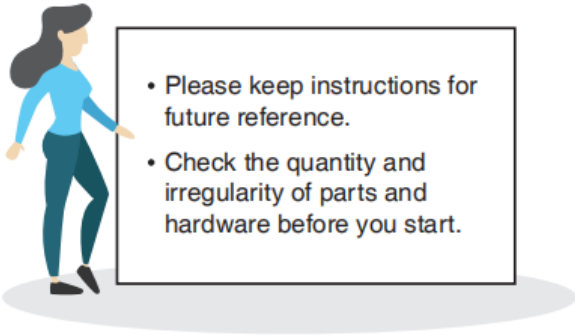
Outlet

#13 3pcs



Hook

Counter height table with USB port & power outlet



HARDWARE

#A 16pcs



Bolt 1/4" x 1/2"

#B 4pcs



Bolt 1/4" x 1"

#C 6pcs



Bolt 1/4" x 1-1/8"

#D 4pcs



Bolt 1/4" x 1-3/8"

#E 4pcs



Bolt 1/4" x 2"

#F 2pcs



Bolt M3 x 10

#G 2pcs



Nut M3

#H 6pcs



Screw M5 x 15

#I 6pcs



Screw M5 x 30

#J 12pcs



Washer Ø16xØ7x1.0

#K 1pc

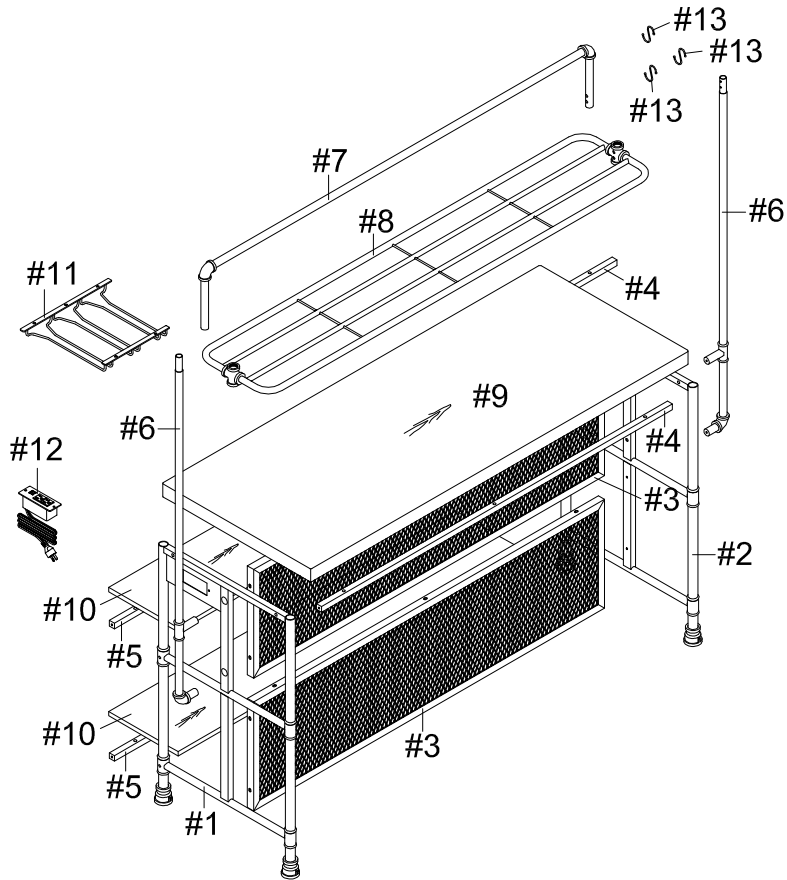


Allen Wrench M4

ASSEMBLY INSTRUCTIONS

1

Exploded View



2

Part #1 x 1pc

Part #2 x 1pc

Part #3 x 2pcs

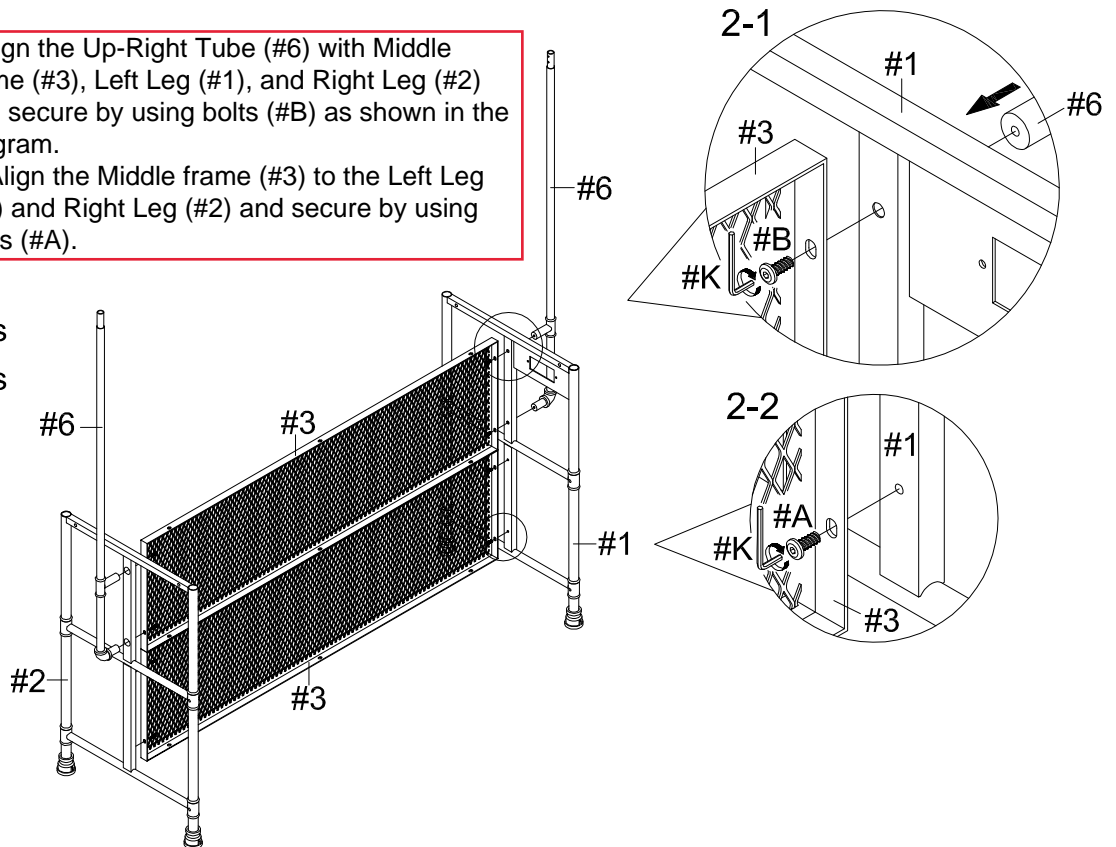
Part #6 x 2pcs

Hardware #A x 4pcs

Hardware #B x 4pcs

Hardware #K x 1pc

I. Align the Up-Right Tube (#6) with Middle frame (#3), Left Leg (#1), and Right Leg (#2) and secure by using bolts (#B) as shown in the diagram.
 II. Align the Middle frame (#3) to the Left Leg (#1) and Right Leg (#2) and secure by using bolts (#A).



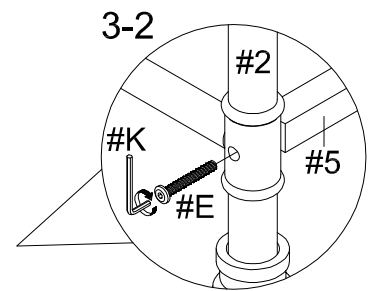
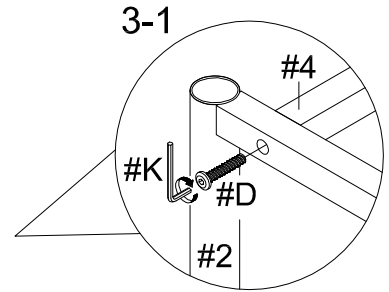
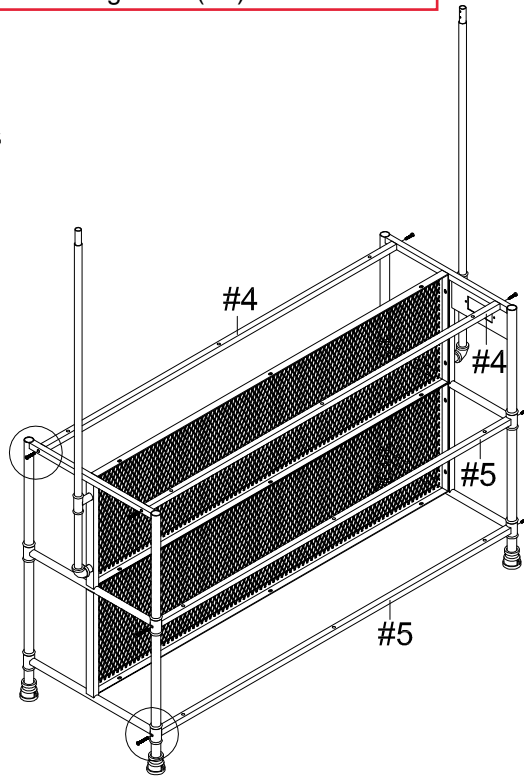
ASSEMBLY INSTRUCTIONS

3

- Part #4 x 2pcs
- Part #5 x 2pcs
- Hardware #D x 4pcs
- Hardware #E x 4pcs
- Hardware #K x 1pc

I. Align the Support Tube (#4) to the L Leg (#1) and R Leg (#2) and secure using Bolts (#D).

II. Align the Back Support Tube (#5) to the L Leg (#1) and R Leg (#2) and secure using Bolts (#E).

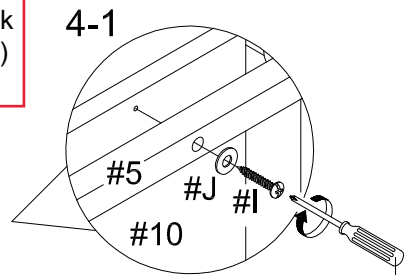
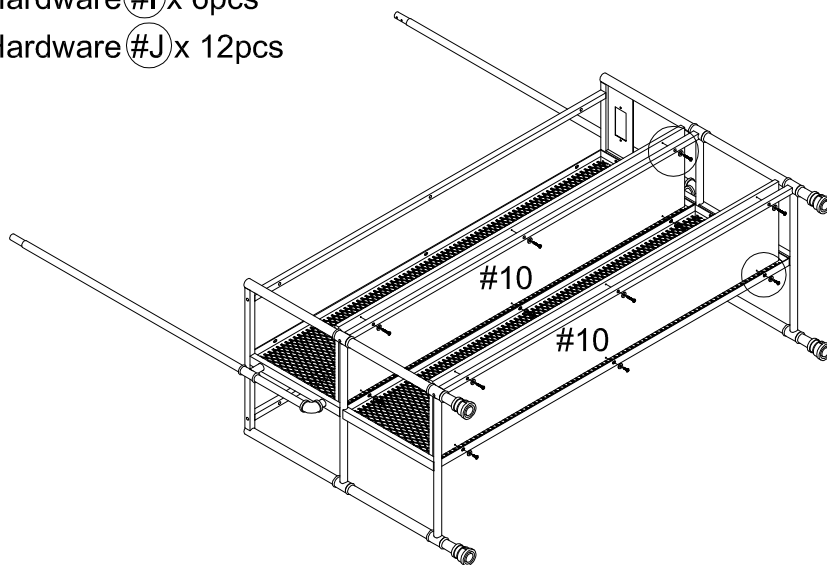


4

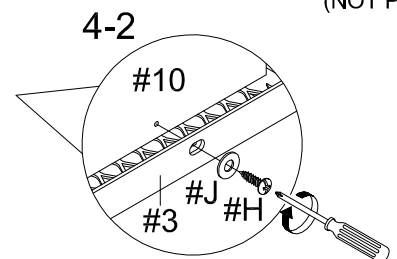
- Part #10 x 2pcs
- Hardware #H x 6pcs
- Hardware #I x 6pcs
- Hardware #J x 12pcs

I. Align the shelf board (#10) at the center Back support tube (#5) and secure using Screws (#I) with Washer (#J).

II. Align the shelf board (#10) at the bottom Back support tube (#5) and secure using Screws (#H) with Washer (#J).



SCREWDRIVER
(NOT PROVIDED)



ASSEMBLY INSTRUCTIONS

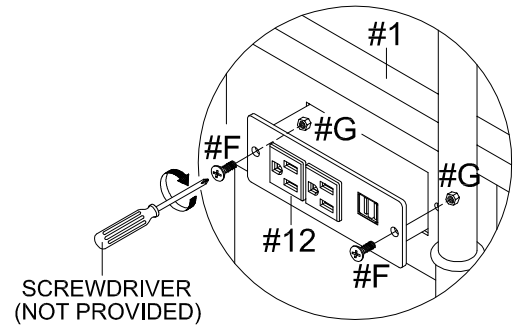
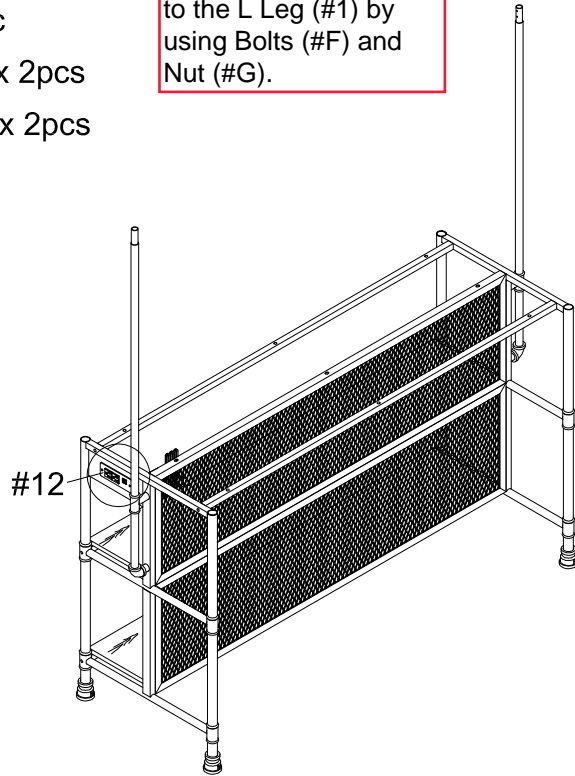
5

Part #12 x 1pc

Hardware #F x 2pcs

Hardware #G x 2pcs

Attach the Outlet (#12) to the L Leg (#1) by using Bolts (#F) and Nut (#G).



6

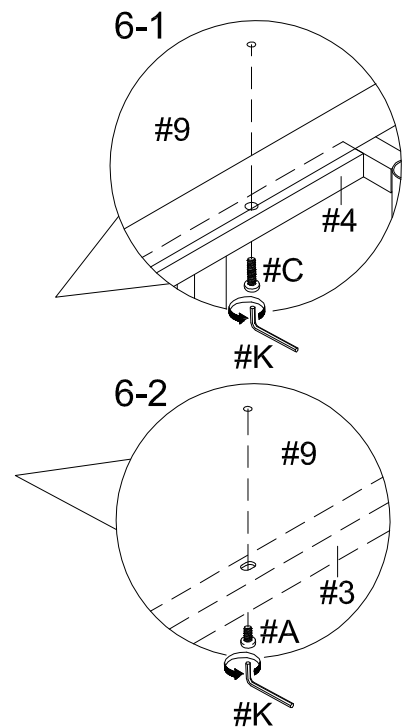
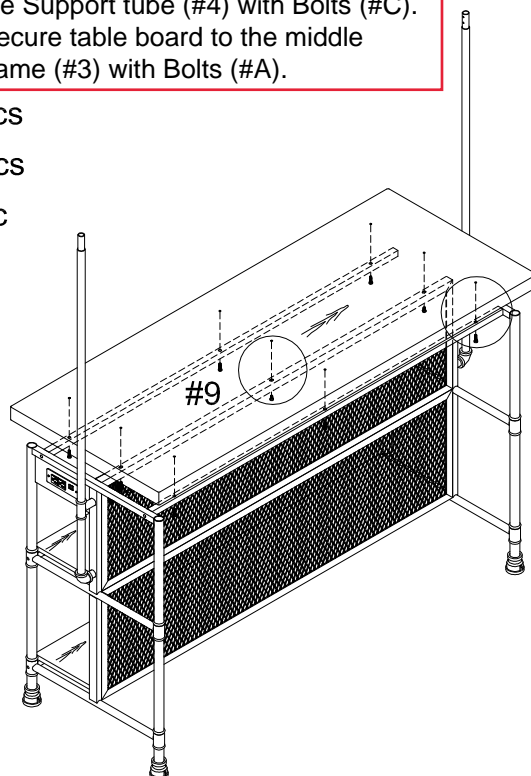
Part #9 x 1pc

Hardware #A x 3pcs

Hardware #C x 6pcs

Hardware #K x 1pc

Place the Table Board (#9) onto the frame and secure from underneath to the Support tube (#4) with Bolts (#C). Secure table board to the middle frame (#3) with Bolts (#A).

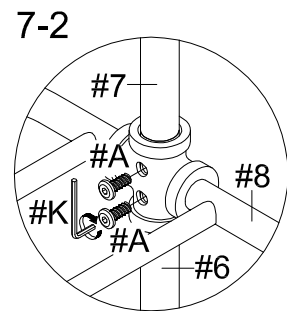
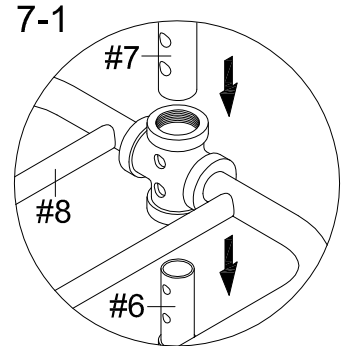
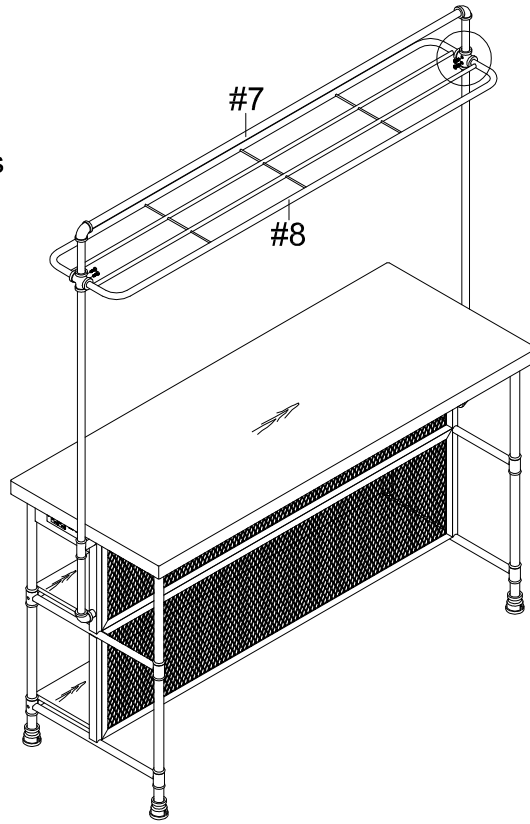


ASSEMBLY INSTRUCTIONS

Insert the Top frame (#8) into the upright tube (#6). Then insert the Top tube (#7) into Top frame (#8) and secure all three using Bolts (#A).

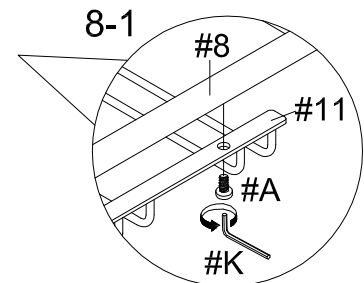
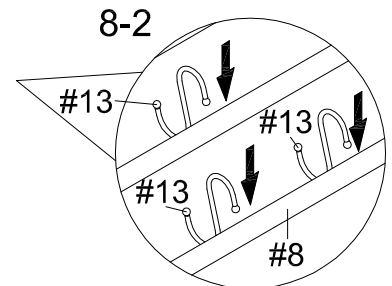
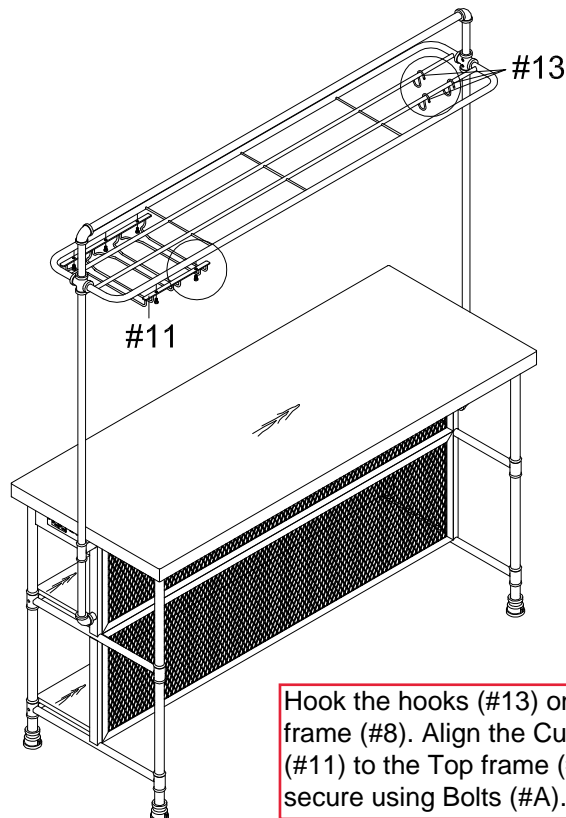
7

- Part #7 x 1pc
- Part #8 x 1pc
- Hardware #A x 4pcs
- Hardware #K x 1pc



8

- Part #11 x 1pc
- Part #13 x 3pcs
- Hardware #A x 5pcs
- Hardware #K x 1pc



Hook the hooks (#13) onto the Top frame (#8). Align the Cup holder (#11) to the Top frame (#8) and secure using Bolts (#A).