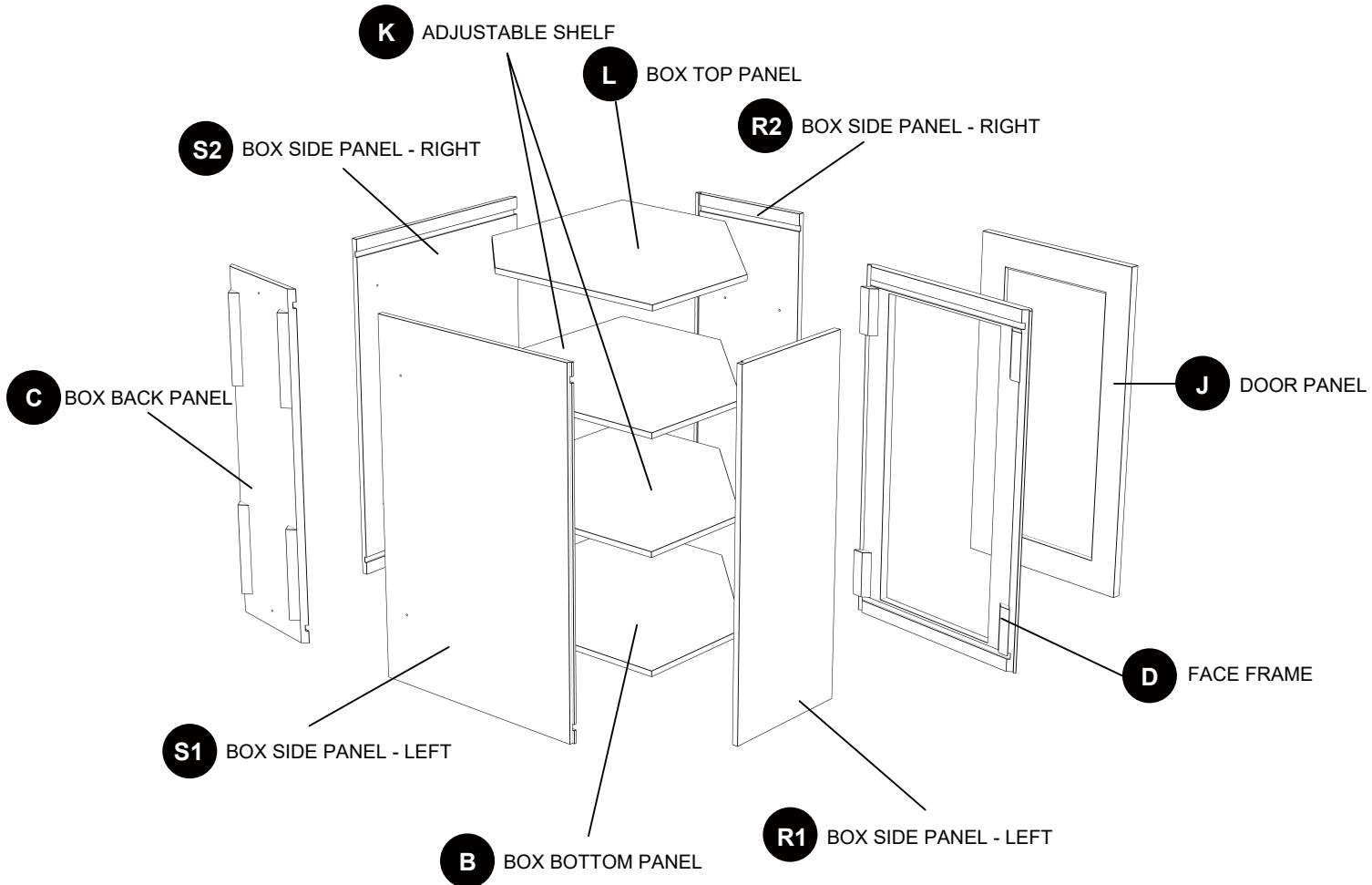


Wall Diagonal Corner Cabinet Instruction Manual

MODEL: DCW2430-E DCW2436-E
DCW2730-E DCW2736-E



PART	DESCRIPTION
B	Box bottom panel
C	Box back panel
D	Face frame
J	Door panel
K	Adjustable shelf

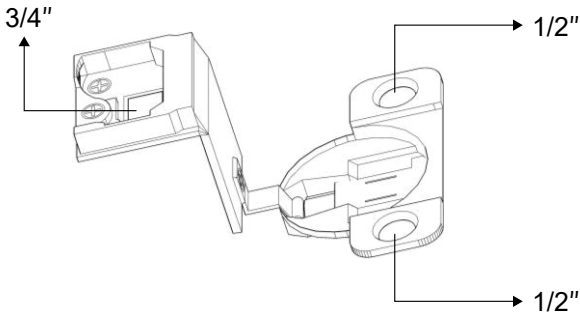
PART	DESCRIPTION
L	Box top panel
R1	Box side panel - left
R2	Box side panel - right
S1	Box side panel - left
S2	Box side panel - right

CAUTION

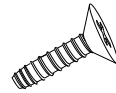
- Be sure to carefully remove all parts from the carton and ensure that there are no damages to any of them.
- The hardware should be kept away from children when unpacking and assembling this product. Two adults are recommended for assembly.
- Follow the instructions in the instruction manual carefully and strictly to ensure that the product is assembled and operates as intended.
- Do not tighten all the screws until all the adjacent parts have been properly connected. Please do not throw away extra screws. Please refer to the actual product for the screw hole position.

HARDWARE CONTENTS

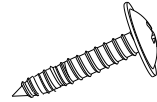
- CC** Soft-close hinge x 2
Be careful the length of the screws.



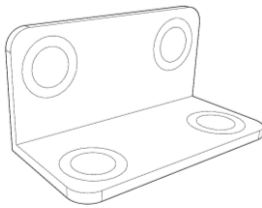
Included:
1/2" Flat Head Phillips Screw x 4



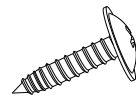
3/4" Round Head Phillips Screw x 2



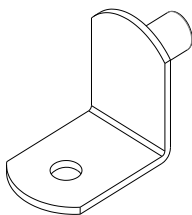
- EE** Corner brace x 22



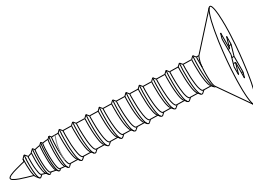
Included:
1/2" Round Head Phillips Screw x 88



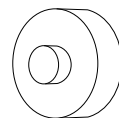
- FF** Adjustable shelf clip x 10



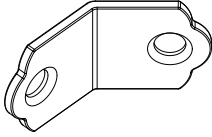
- GG** 1" Flat head Phillips screw x 8



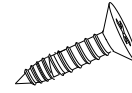
- HH** Rubber bumper x 2



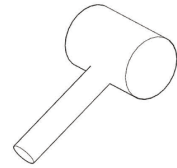
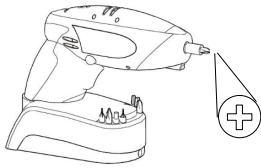
NN 135 Degree angle brace x 2



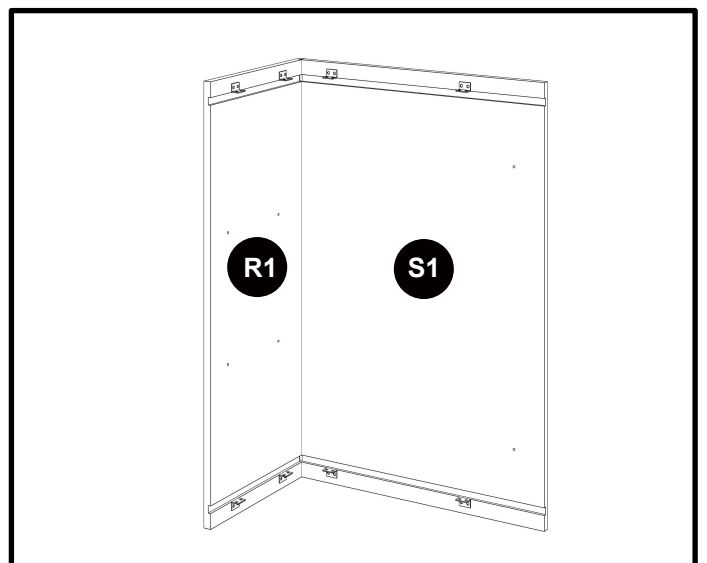
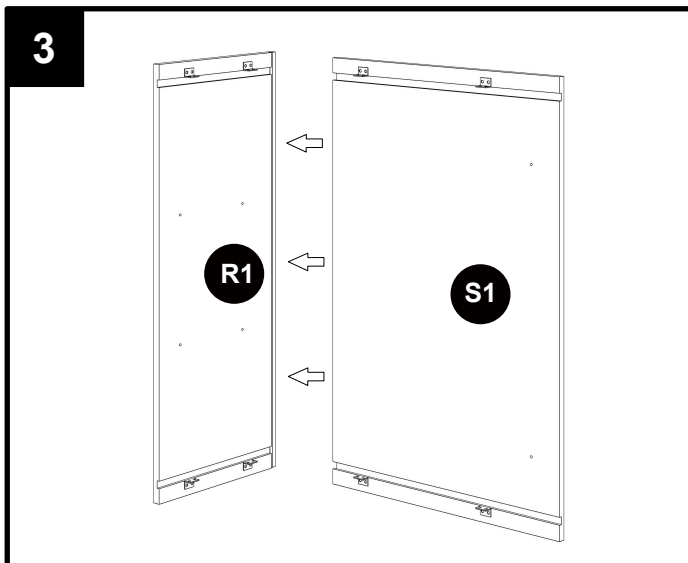
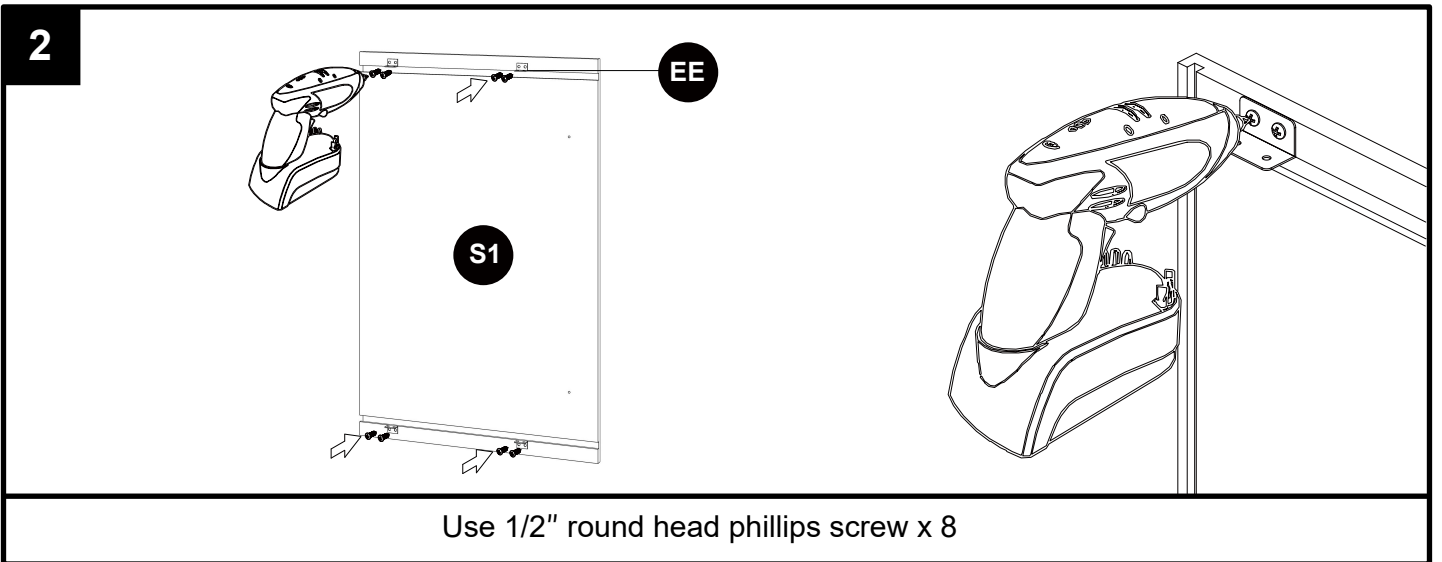
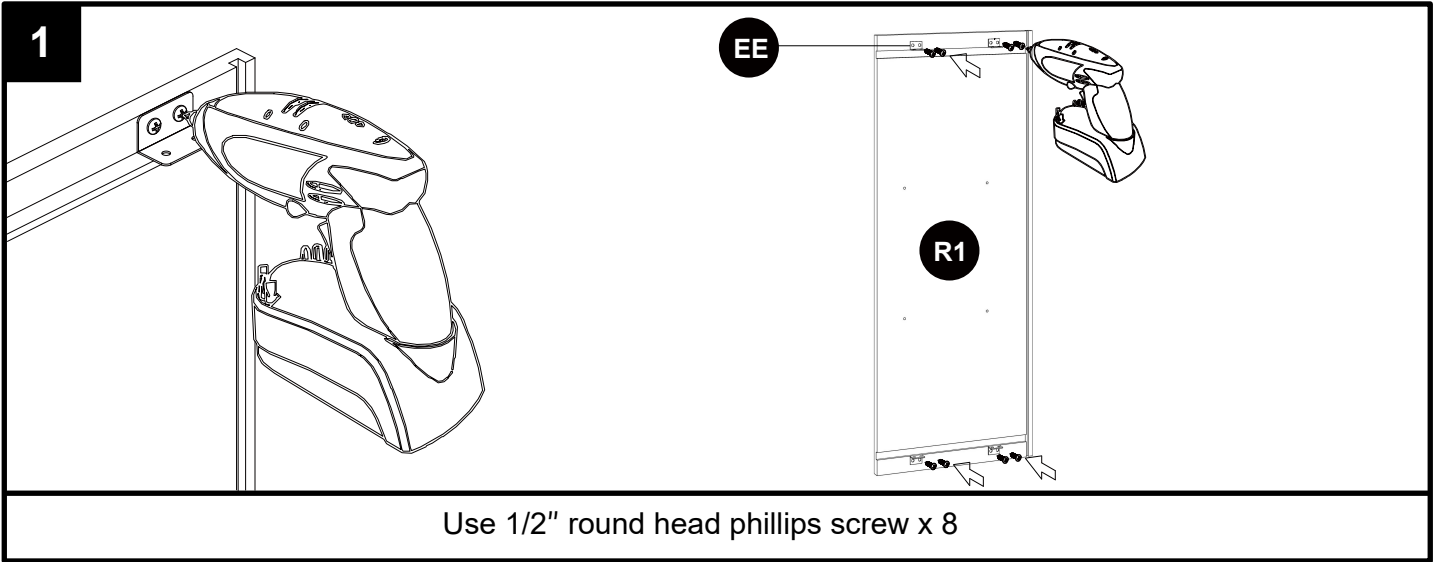
Included:
1/2" Flat Head Phillips Screw x 4

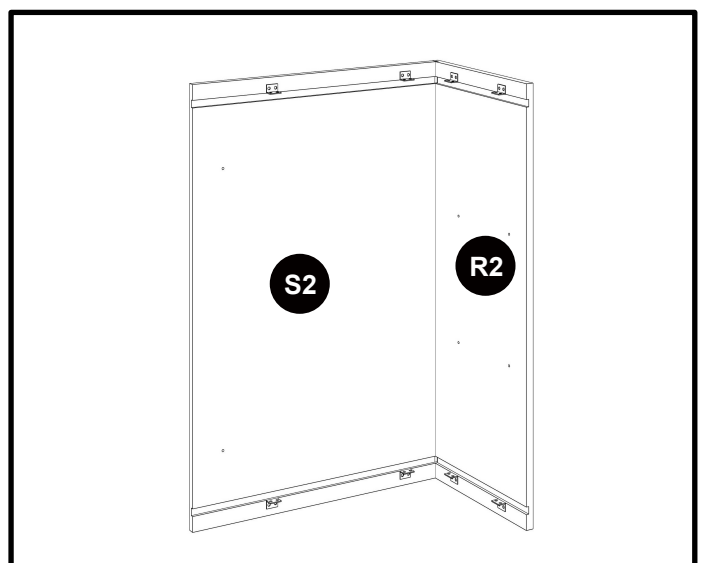
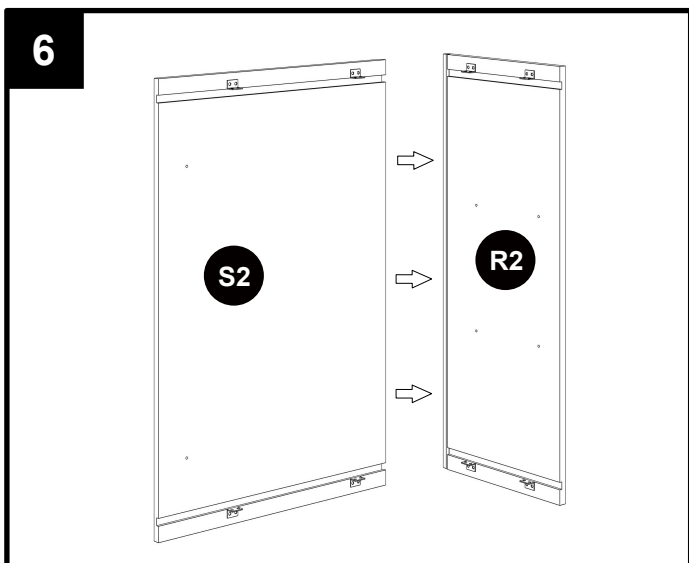
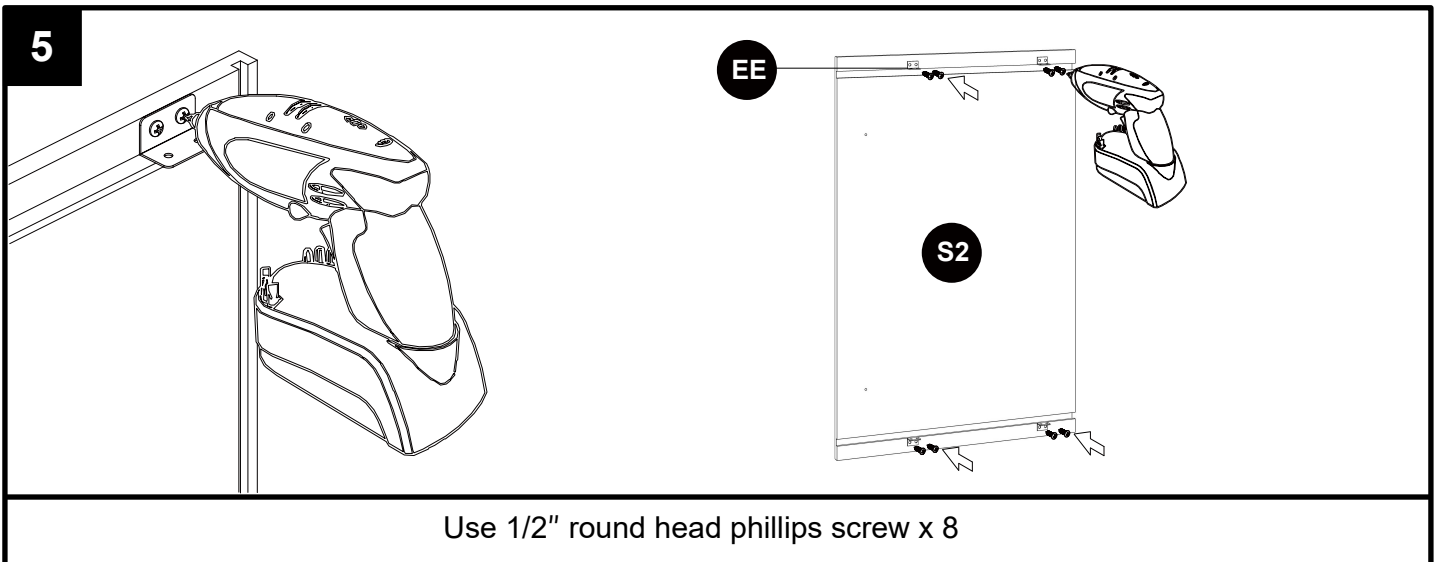
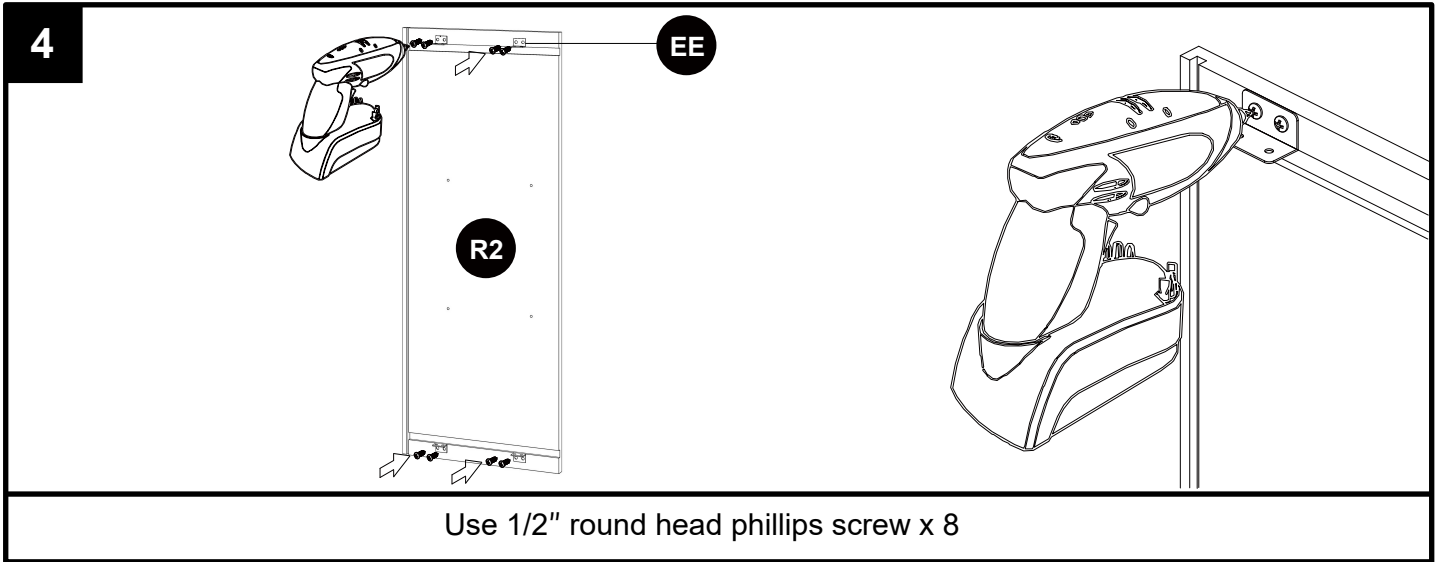


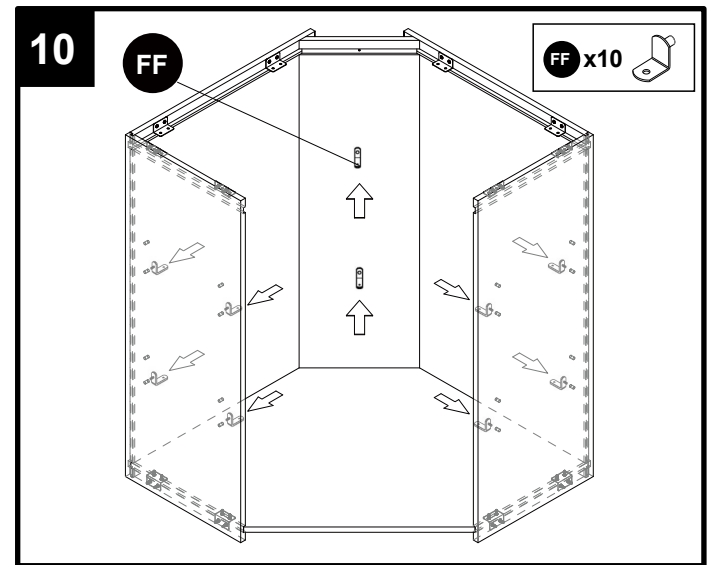
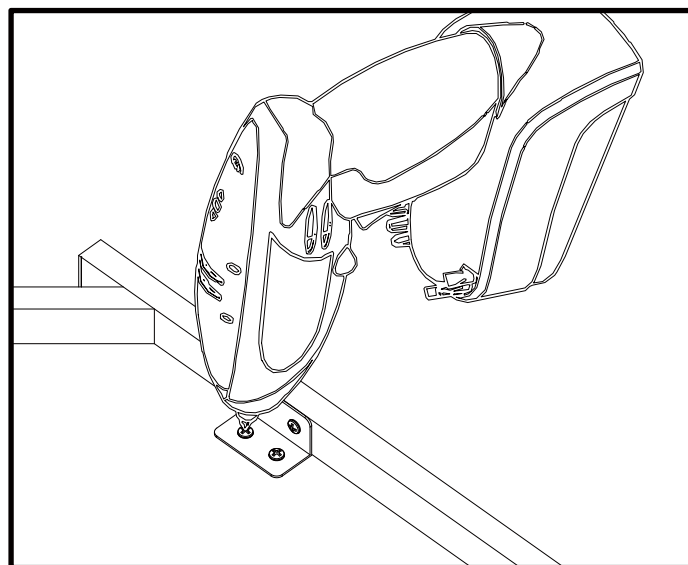
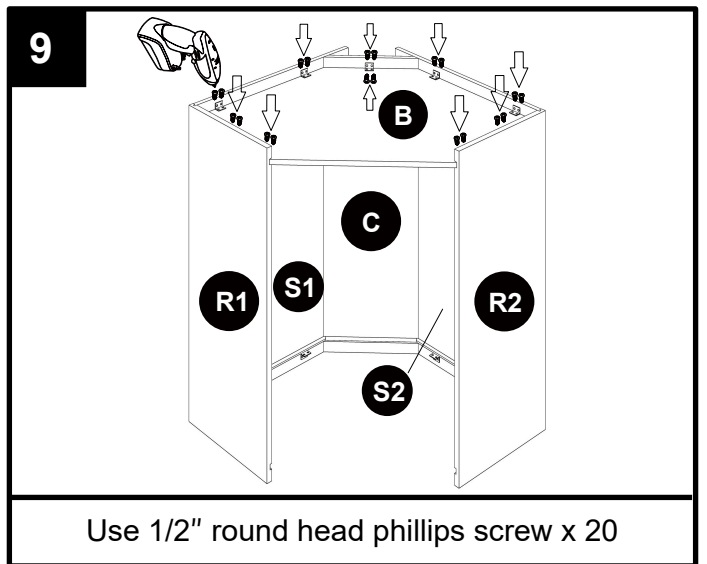
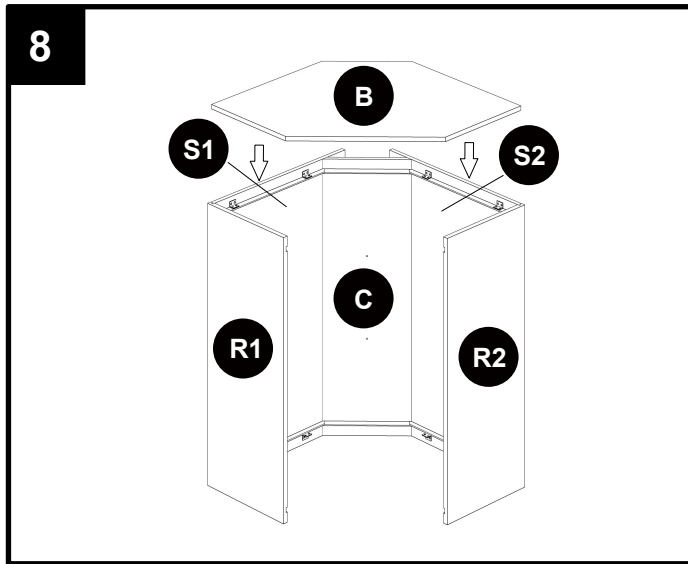
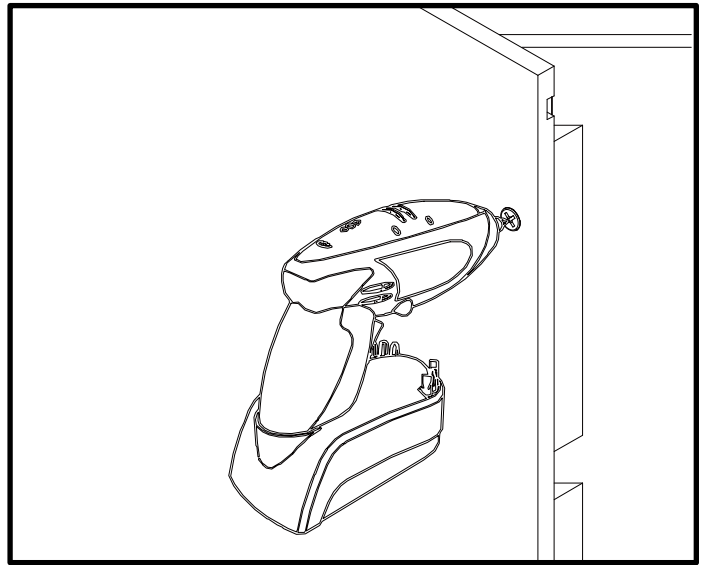
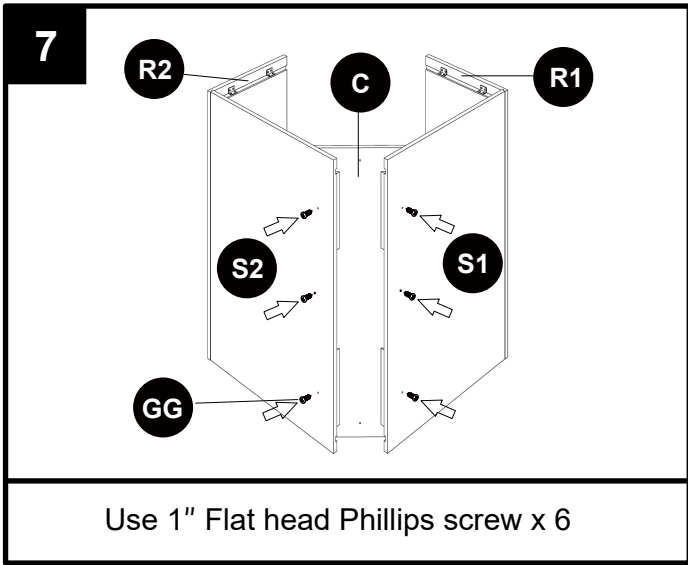
TOOLS REQUIRED (NOT INCLUDED)

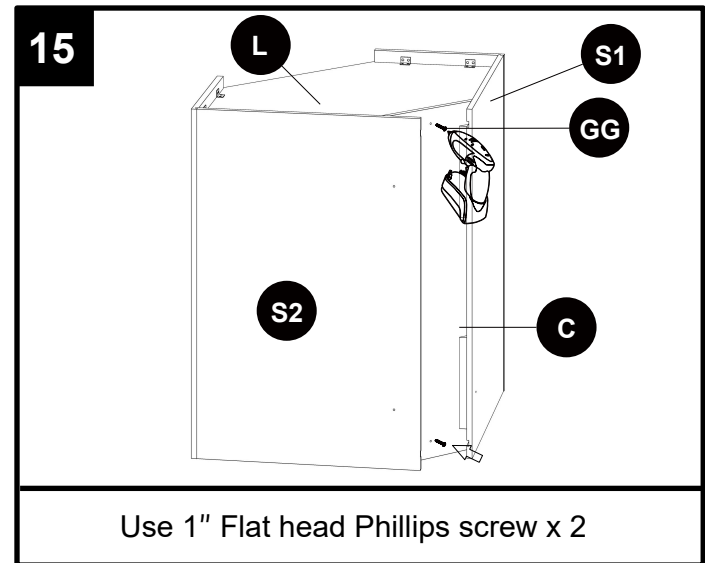
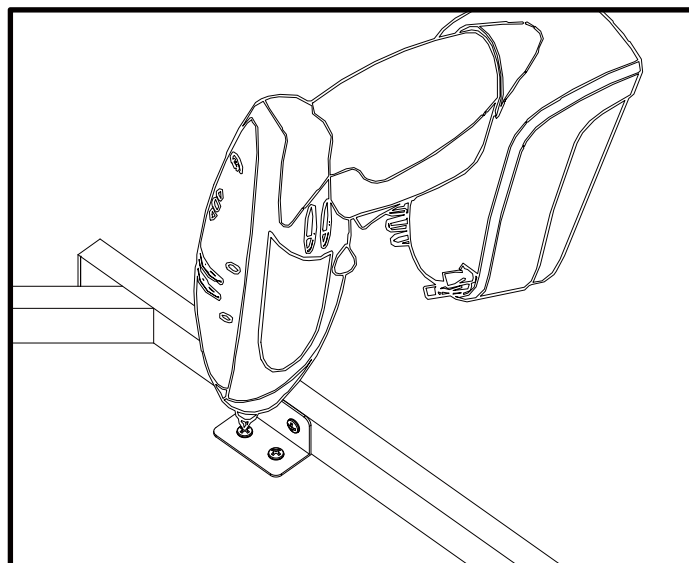
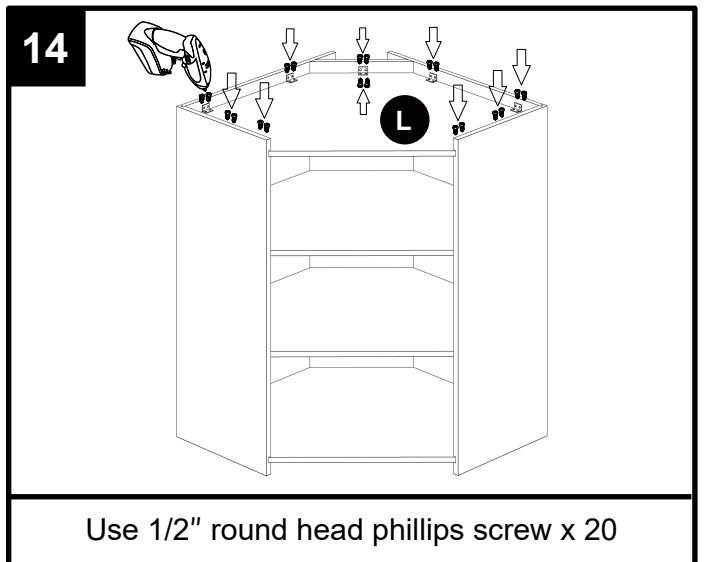
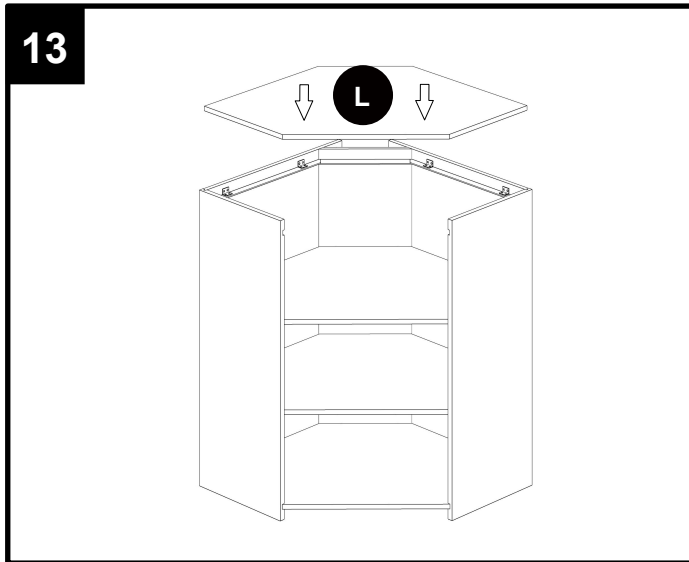
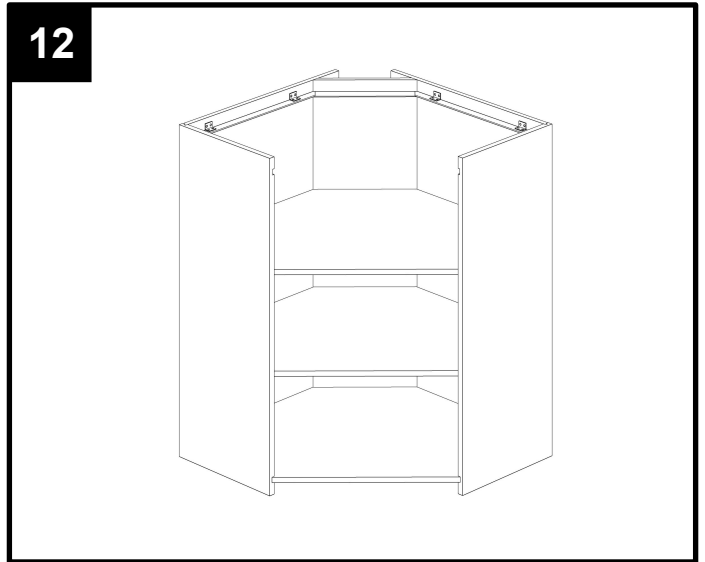
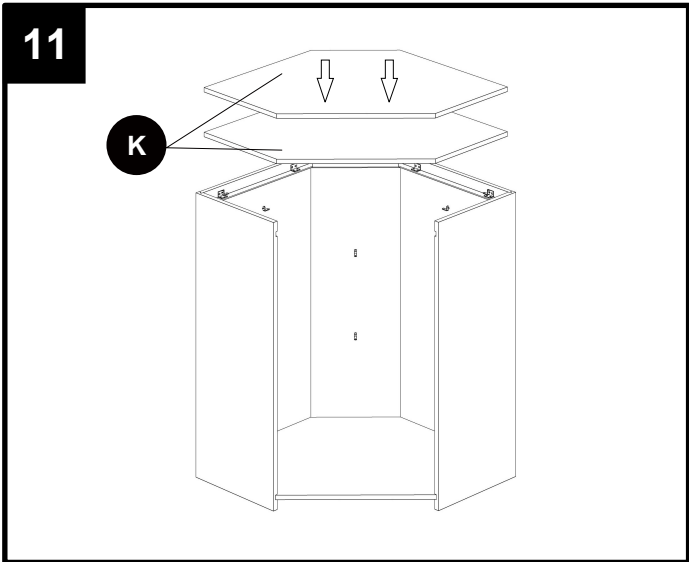


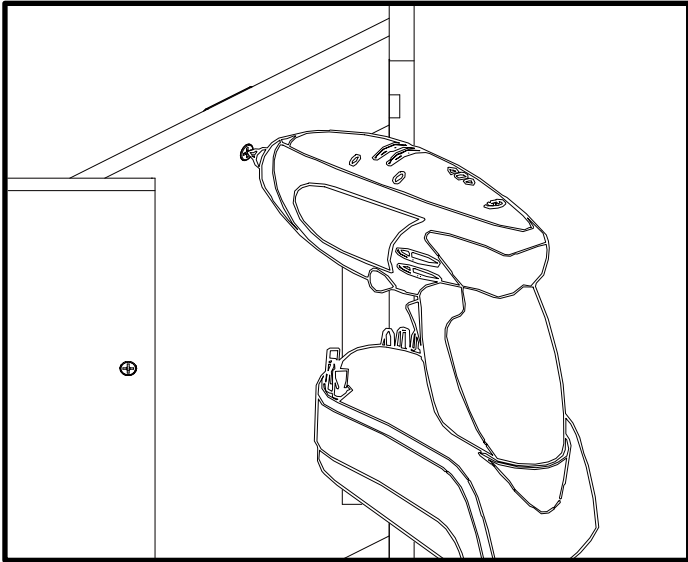
INSTALLATION OVERVIEW



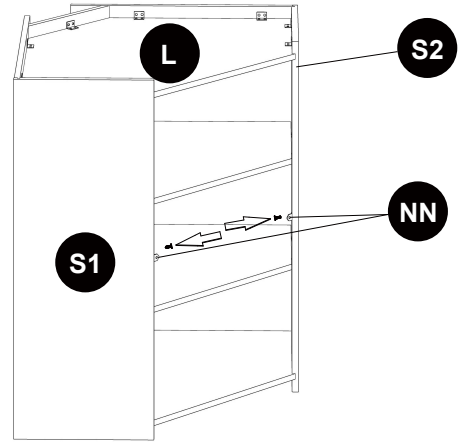




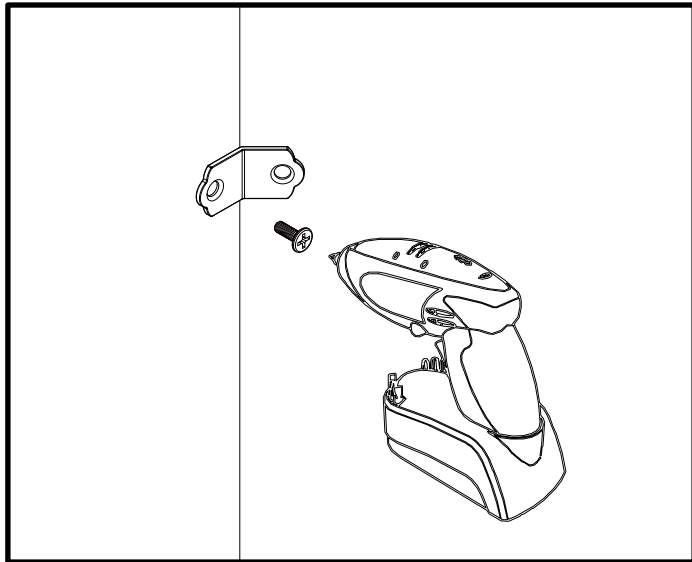




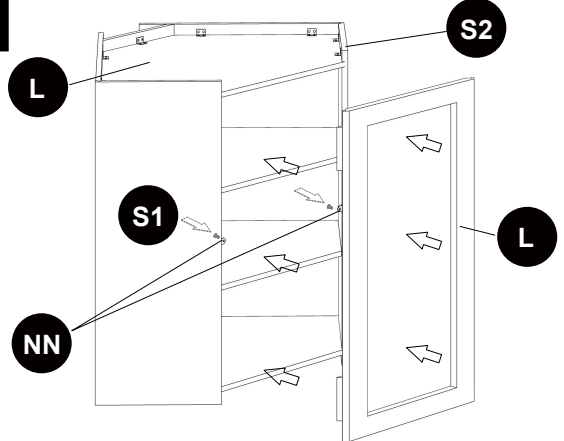
16



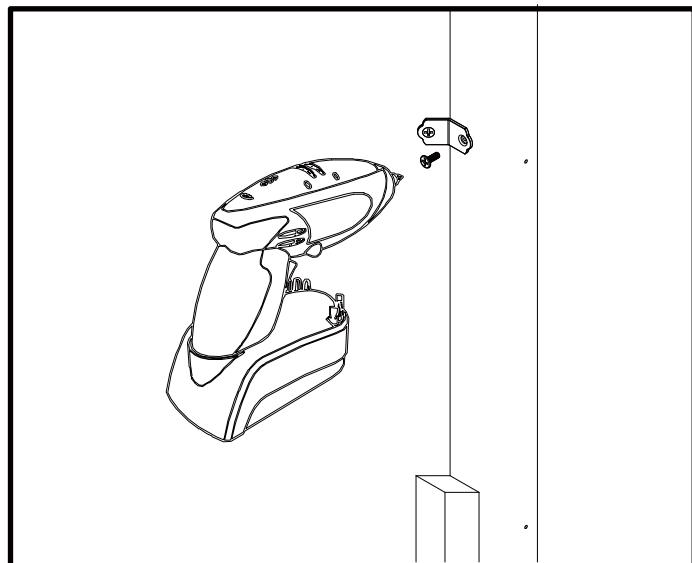
Use 1/2" Flat Head Phillips Screw x 2



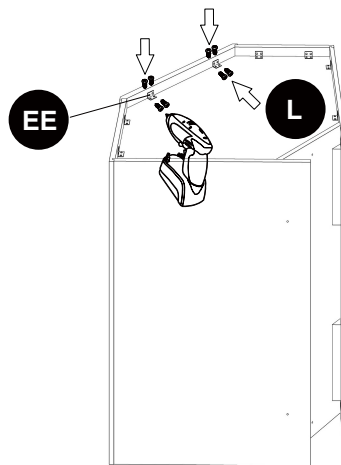
17



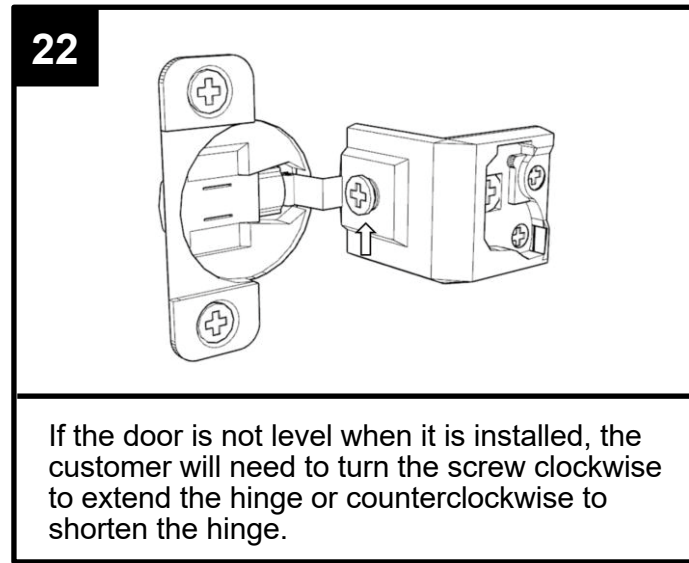
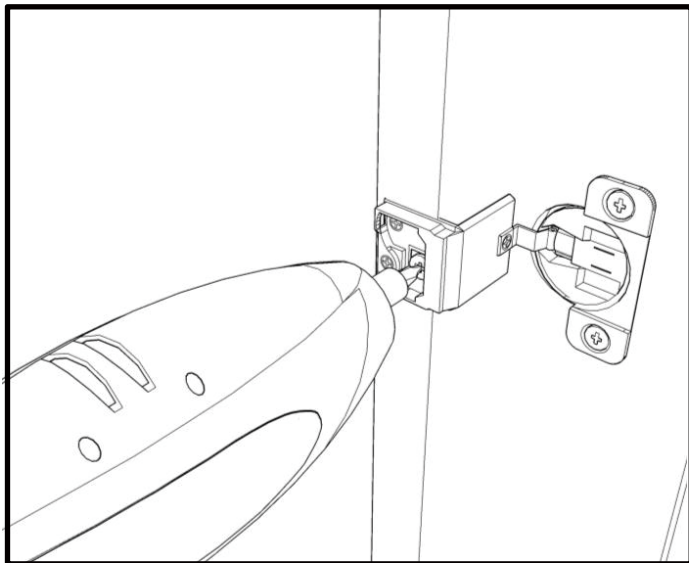
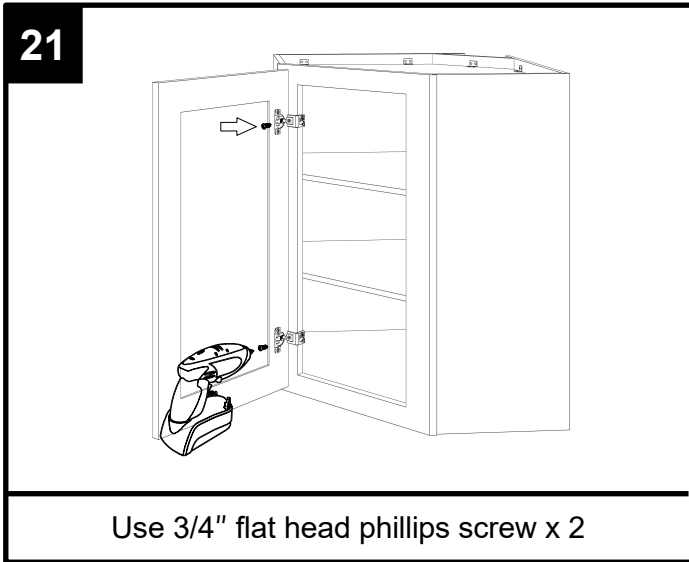
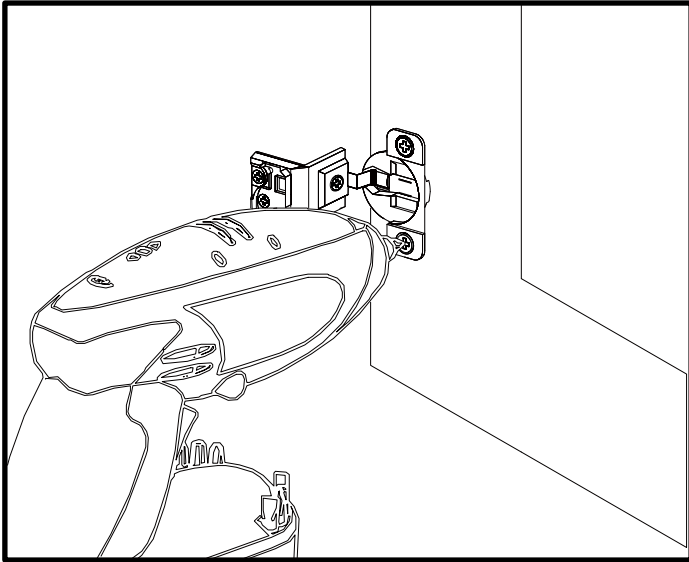
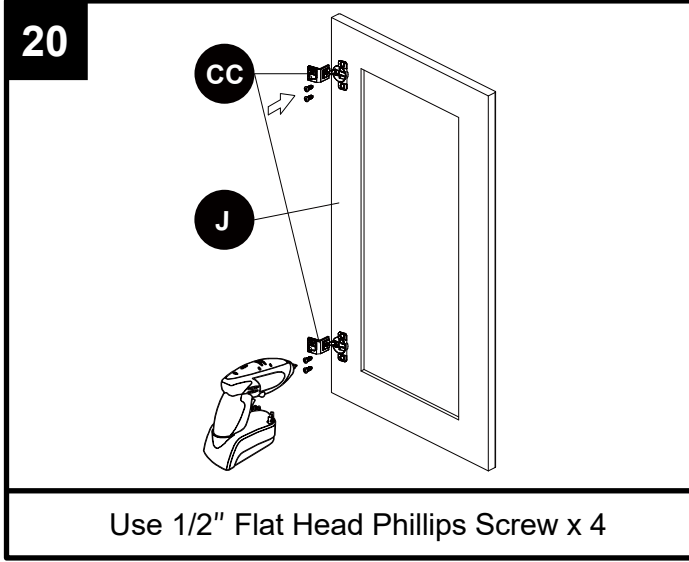
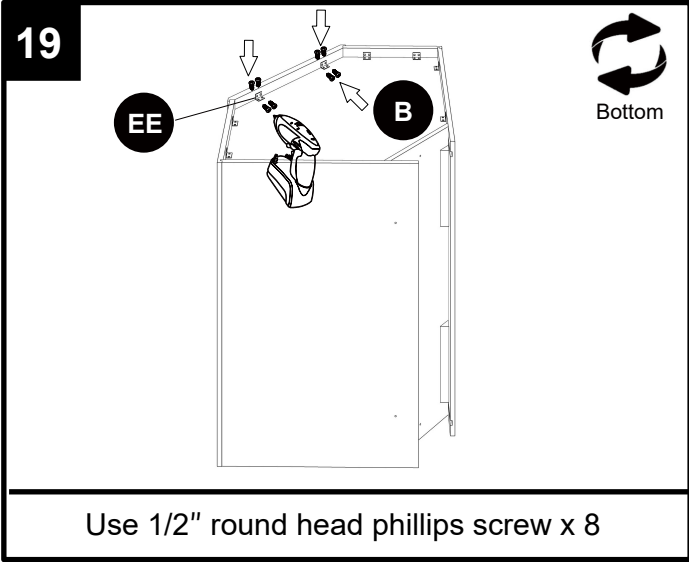
Use 1/2" Flat Head Phillips Screw x 2

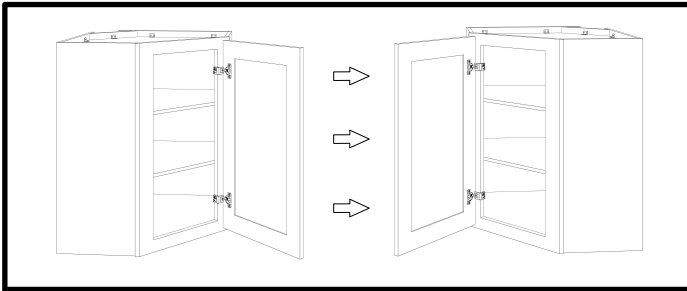


18



Use 1/2" round head phillips screw x 8





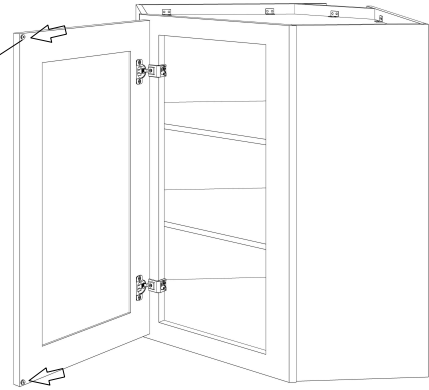
Some products may have hinges pre-installed.

To reverse the door, unscrew the 3/4" round head phillips screws from each hinge and remove the door panel. Then, reverse the door panel and drill the 3/4" round head phillips screws to each hinge through the pre-drilled holes to tighten the hinges with cabinet face frame.

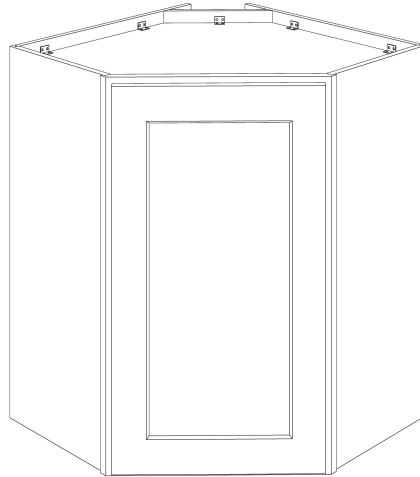
23

HH x2

HH



24



Dear customers,
Thank you for purchasing our product. If you require assistance, please contact the customer service team at the retailer where you purchased the product. The customer service team will be happy to assist you.