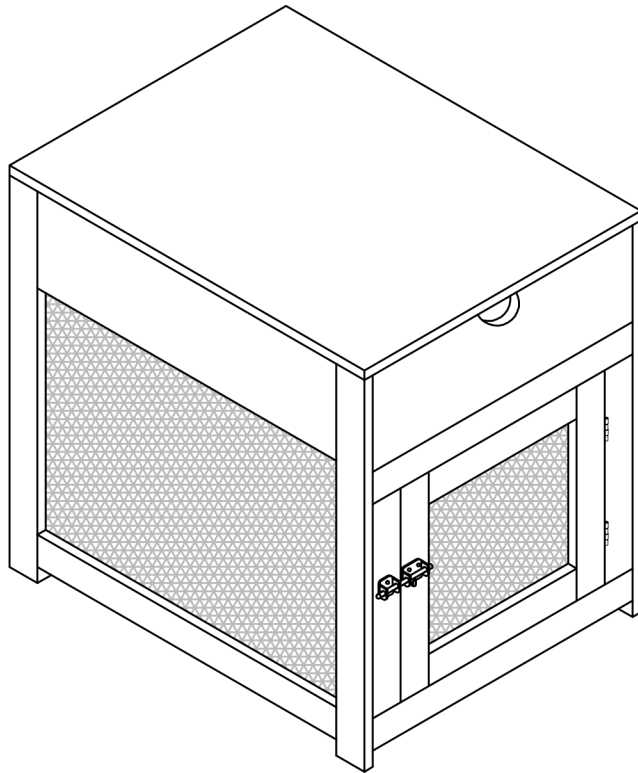


Pet cabinet



General Guidelines

. Please read the following instruction carefully and use the product accordingly. Please keep this manual and hand it over when you transfer the product. This summary may not include every detail of all variations and considered steps. Please contact us when further information and help are needed.

Notes

The item is only intended for home use. Any uses that do not match the above description or unauthorized changes and modification are not permitted. Otherwise, it may result in personal injury or breakage of the product. The product must be assembled and used strictly in accordance with the provisions of the manual. The seller does not assume any responsibility or liability with respect to any damage caused by incorrect assembly or improper use.

- It is recommended to assemble it by 2 adults. Please read instructions carefully and assemble the item according to the instruction. Please check parts first after unpacking. If there are defective, broken or missing parts, please do not hesitate to contact. Please assemble the item in spacious room and do not place the unwrapped product directly on the ground.

It is recommended to wear gloves in the assembly to avoid scratches by the sharp edges. Do not stand or sit on the wooden boards before the assembly. Please match the corresponding board and fitting based on the part number in the manual.

- If the board does not match with the fitting, please check the pieces as specified in this manual.

Please refer to the diagram during assembly. Align all the screws with the related pre-drilled holes first and later tighten the screws one by one after putting all the parts in the correct places.

Please remove all items on the product before moving. Two people are required to move the product as the item should be lifted off the ground. Please do not drag it along the floor as it may damage your floor. Do not expose the product to direct sunlight or rain. Do not put it in a humid place. Failure to do so may accelerate the distortion, discoloration or crack. Do not leave sharp objects. Do not pour corrosive chemicals on the surface of the board. For daily care, please clean with a damp cloth and wipe dry immediately.

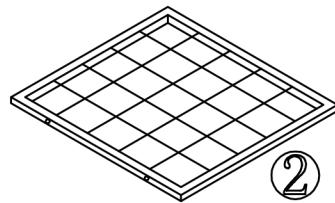
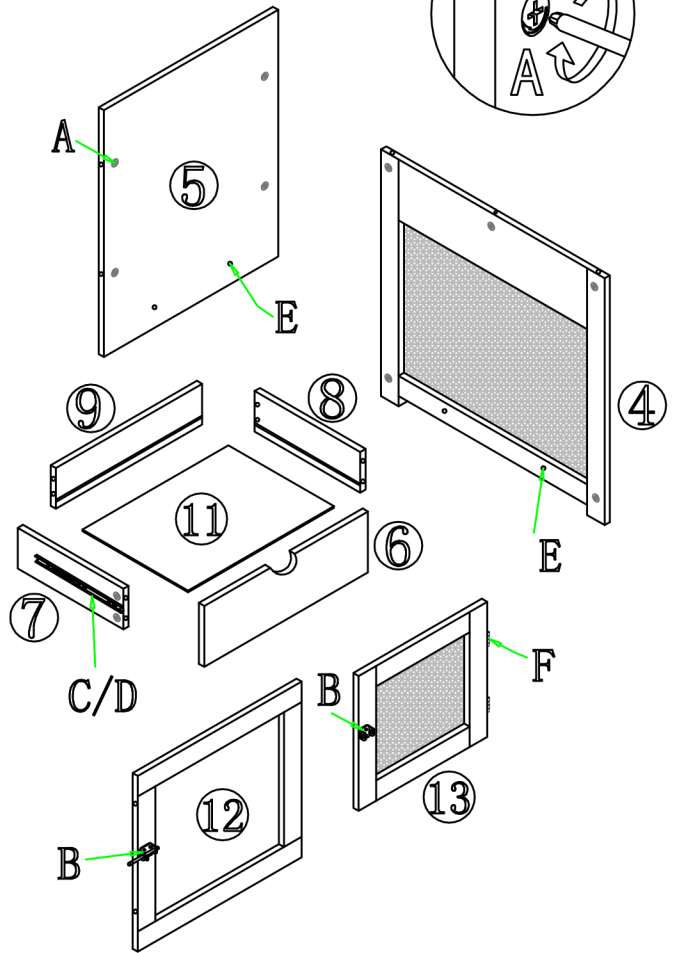
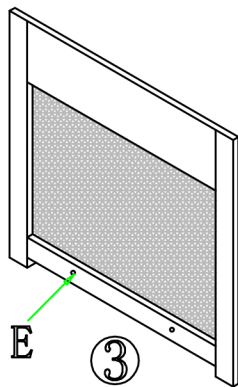
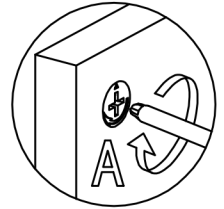
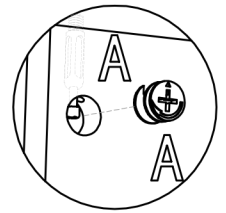
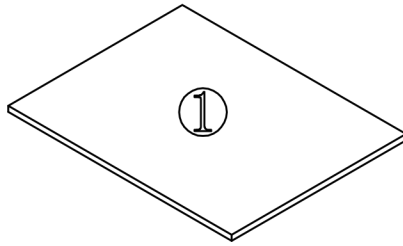
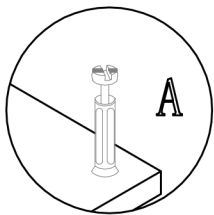
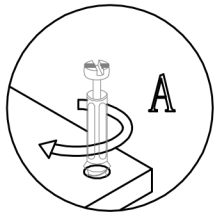
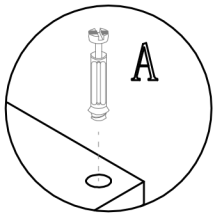
Warnings

- It is not intended for use by children under 3 years of age. Children must be under adult supervision to use the product.







. Children are not allowed to climb or play on the item to avoid toppling over which may cause serious or fatal injury. During the assembly process, keep small parts out of the reach of children. It may be fatal if small parts are swallowed or inhaled.

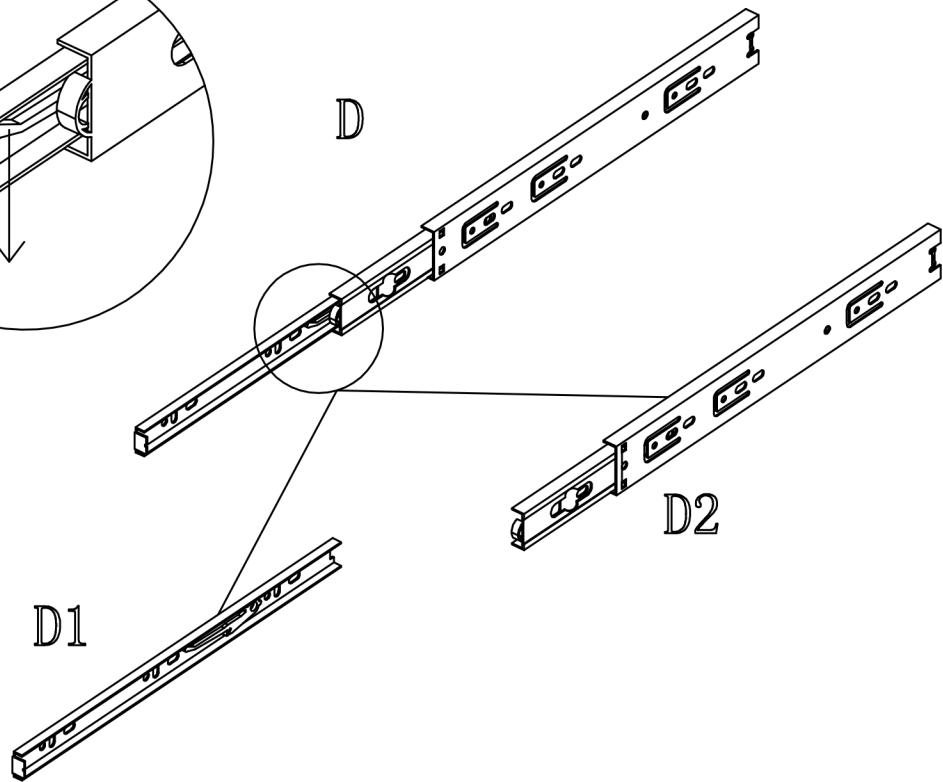
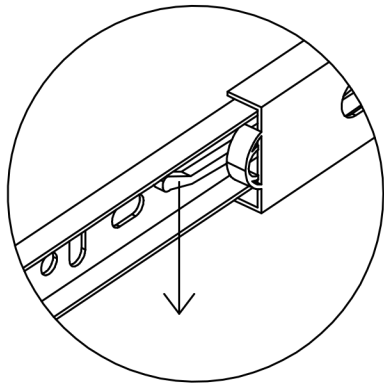
. To avoid the potential dangers of suffocation, please keep all parts and packaging (films, plastic bags and foam etc.) away from babies and children.

Sheet List

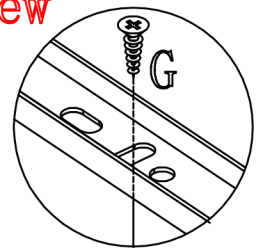
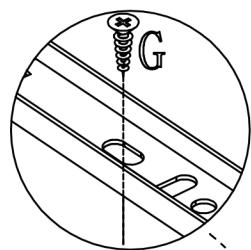


Hardware List

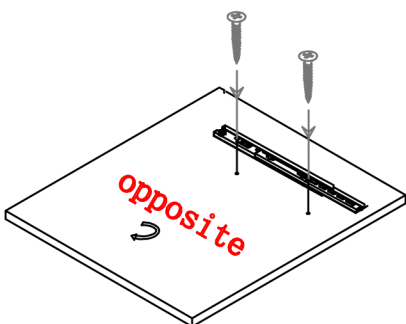
A		$\phi 6 \times 24 \text{mm}$	Connector	23 pcs
B			Door lock	1 pcs
C			Skidway	2 pcs
D		$\phi 3.5 \times 14$	Screw	25 pcs
E		$\phi 6 \times 30$	Screw	6 pcs
F			Straight arm hinge	2 pcs



enlarged view



enlarged view



3-4

