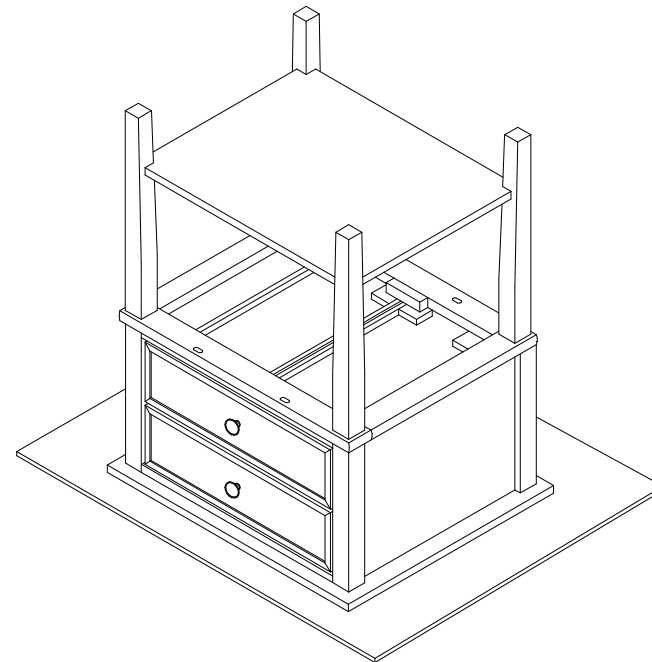
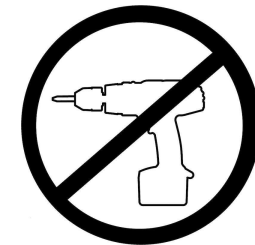
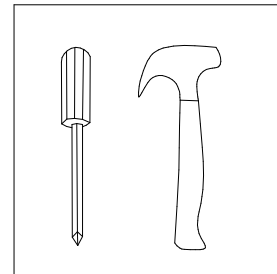


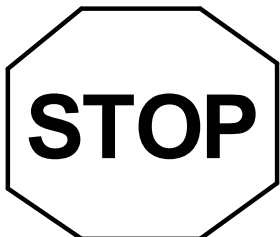
# NIGHT STAND



Required Tools : Screwdriver & Hammer



Please place on the carton while installing to prevent damage or scratches.

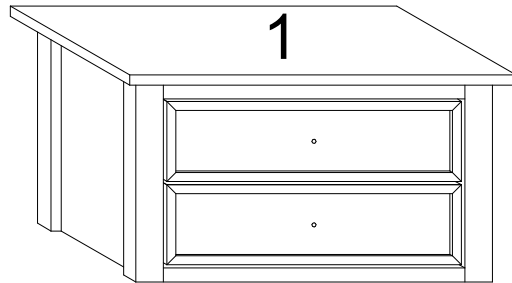


For missing parts/assembly questions, please call.

# ASSEMBLY INSTRUCTION ( PART & HARDWARE LIST )

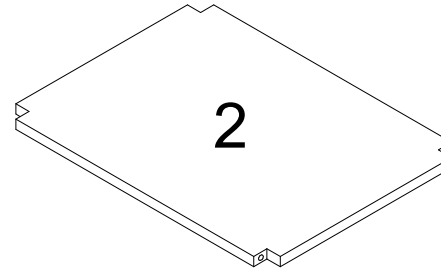
## NIGHT STAND

1.



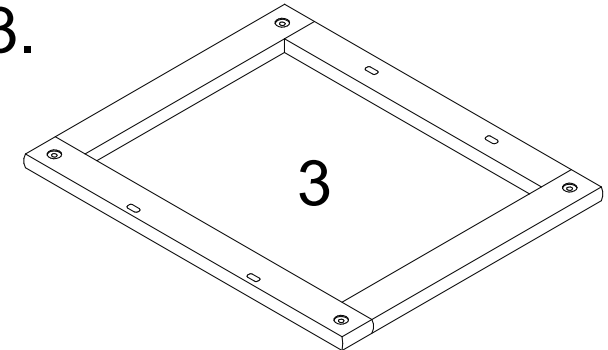
TOP NIGHT STAND

2.



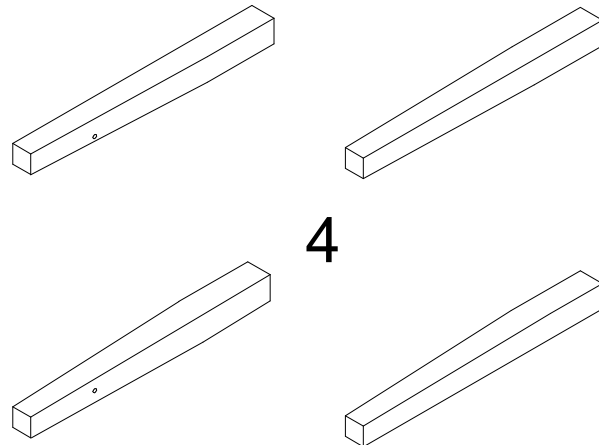
BOTTOM

3.


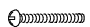
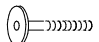
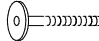







FRAME

4.

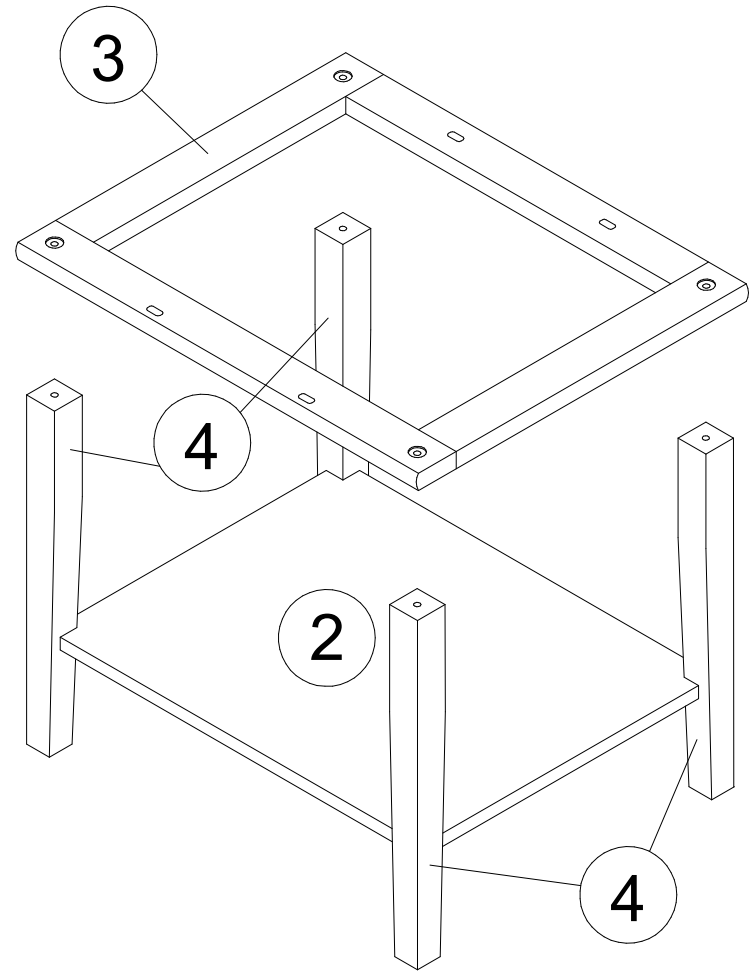
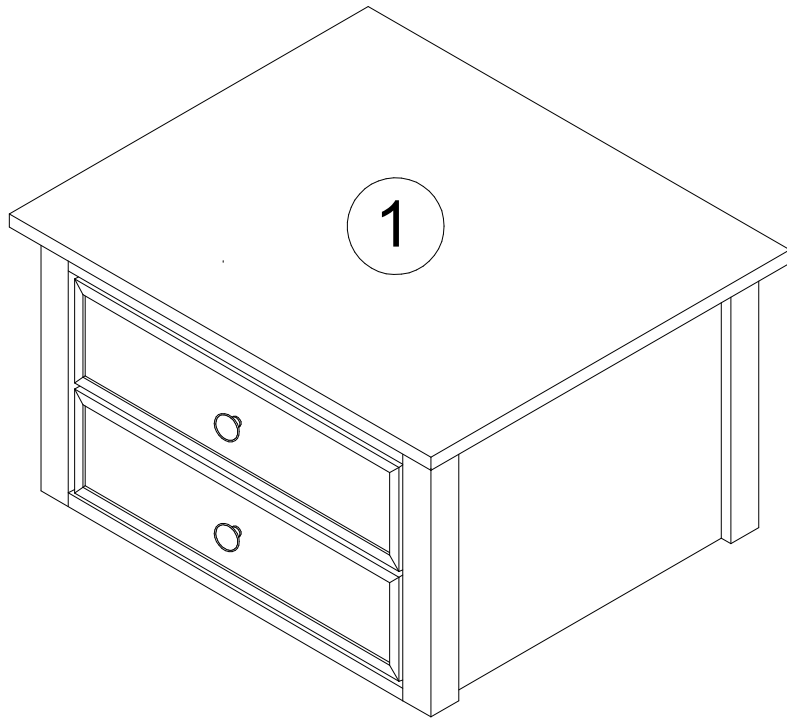


LEG (4PCS)

NO	HARDWARE DESCRIPTION	QTY
A.	Steel Handle 	2
B.	Handle Screw 	2
C.	JCBC Bolt M6 x 35mm 	4
D.	JCBC Bolt M6 x 50mm 	4
E.	Spring Washer 	8
F.	Flat Washer 	8
G.	Allen Key 	1
H.	Cam Screw 	4
I.	Cam Lock 	4

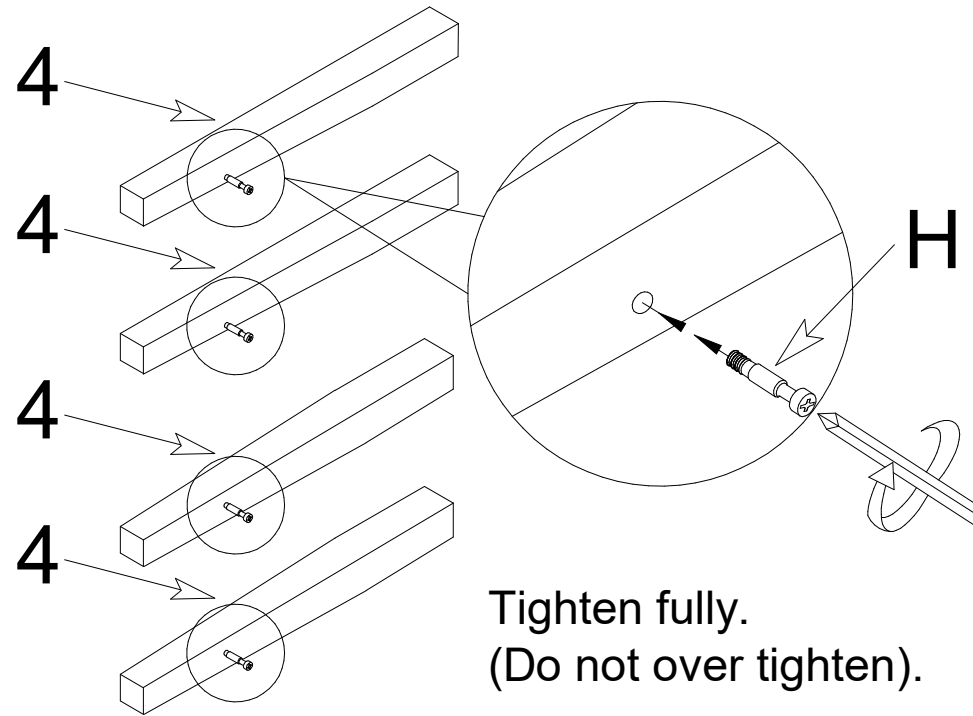
\*Screw Driver and Hammer Not Provided

# NIGHT STAND



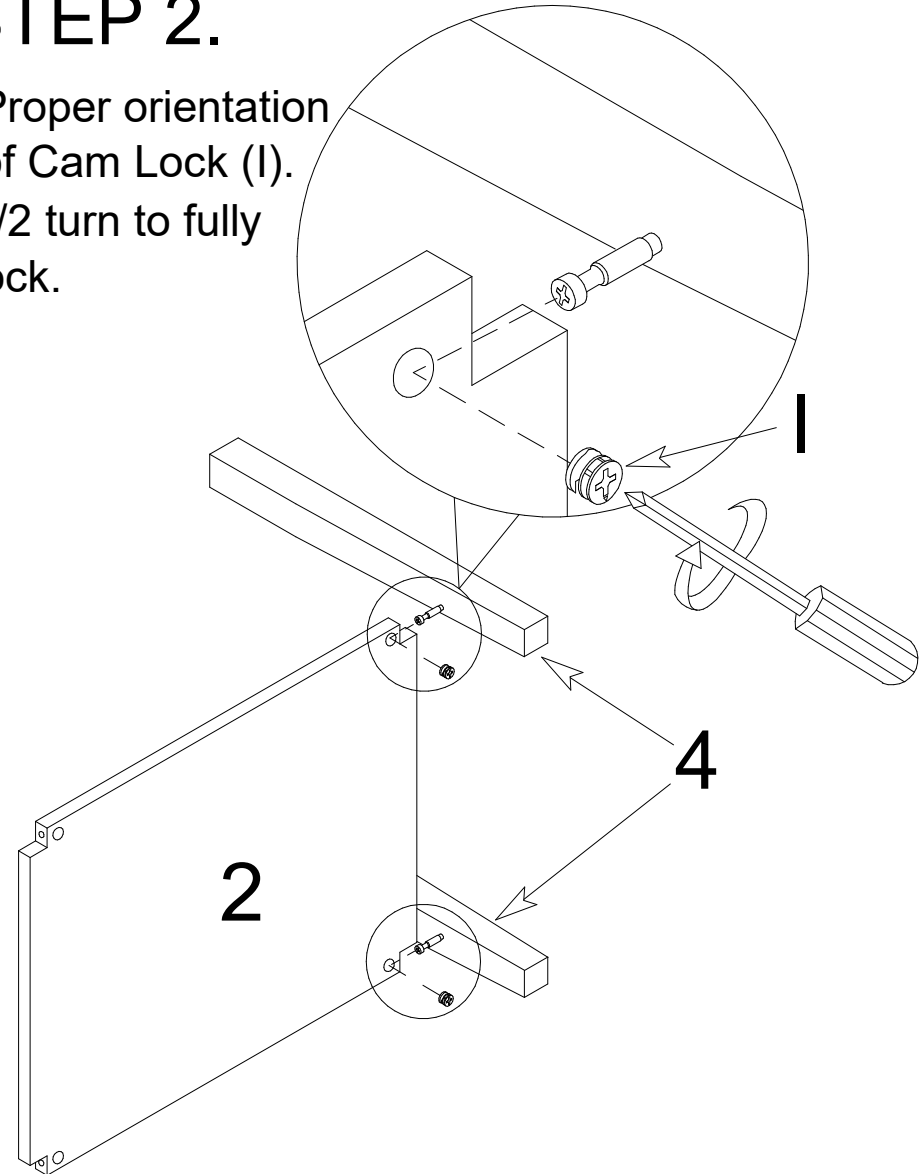
# ASSEMBLY INSTRUCTION NIGHT STAND

## STEP 1.



## STEP 2.

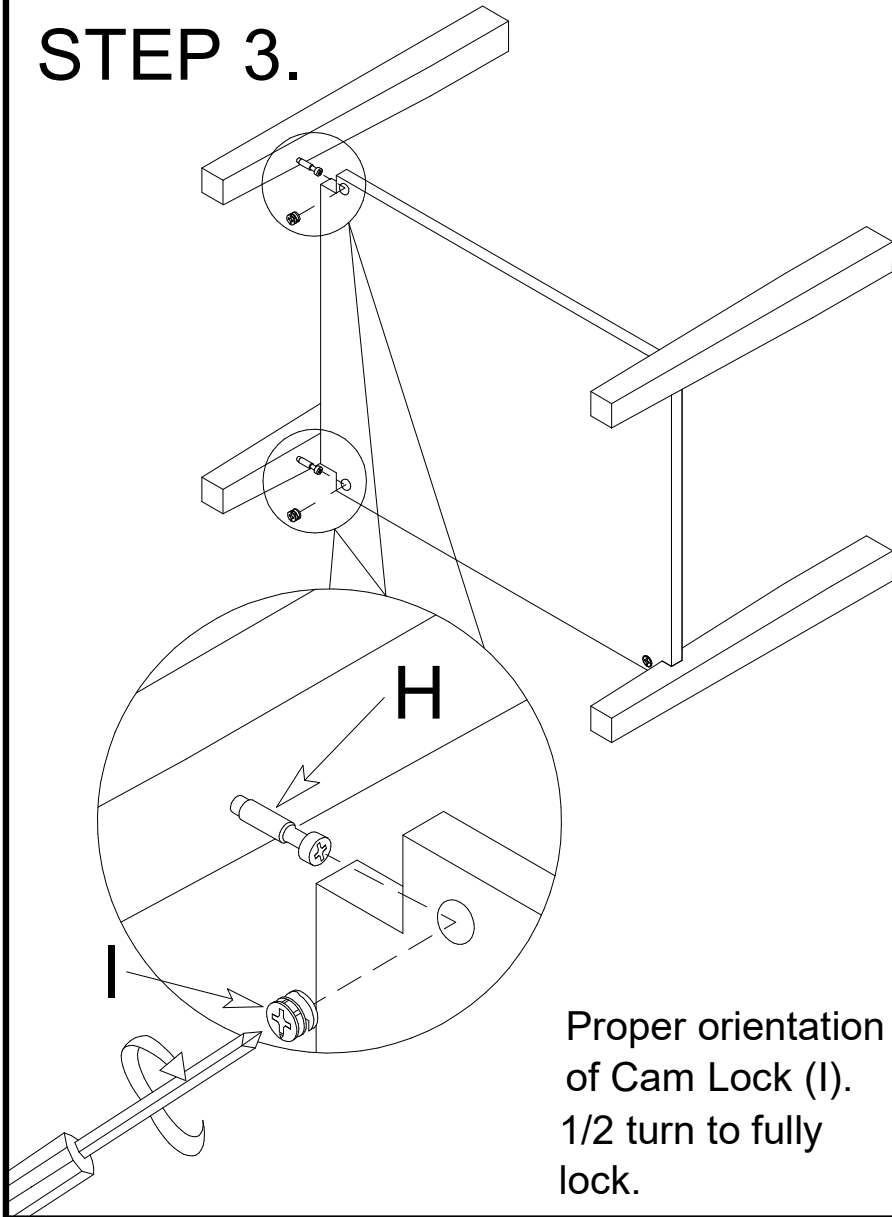
Proper orientation of Cam Lock (I).  
1/2 turn to fully lock.



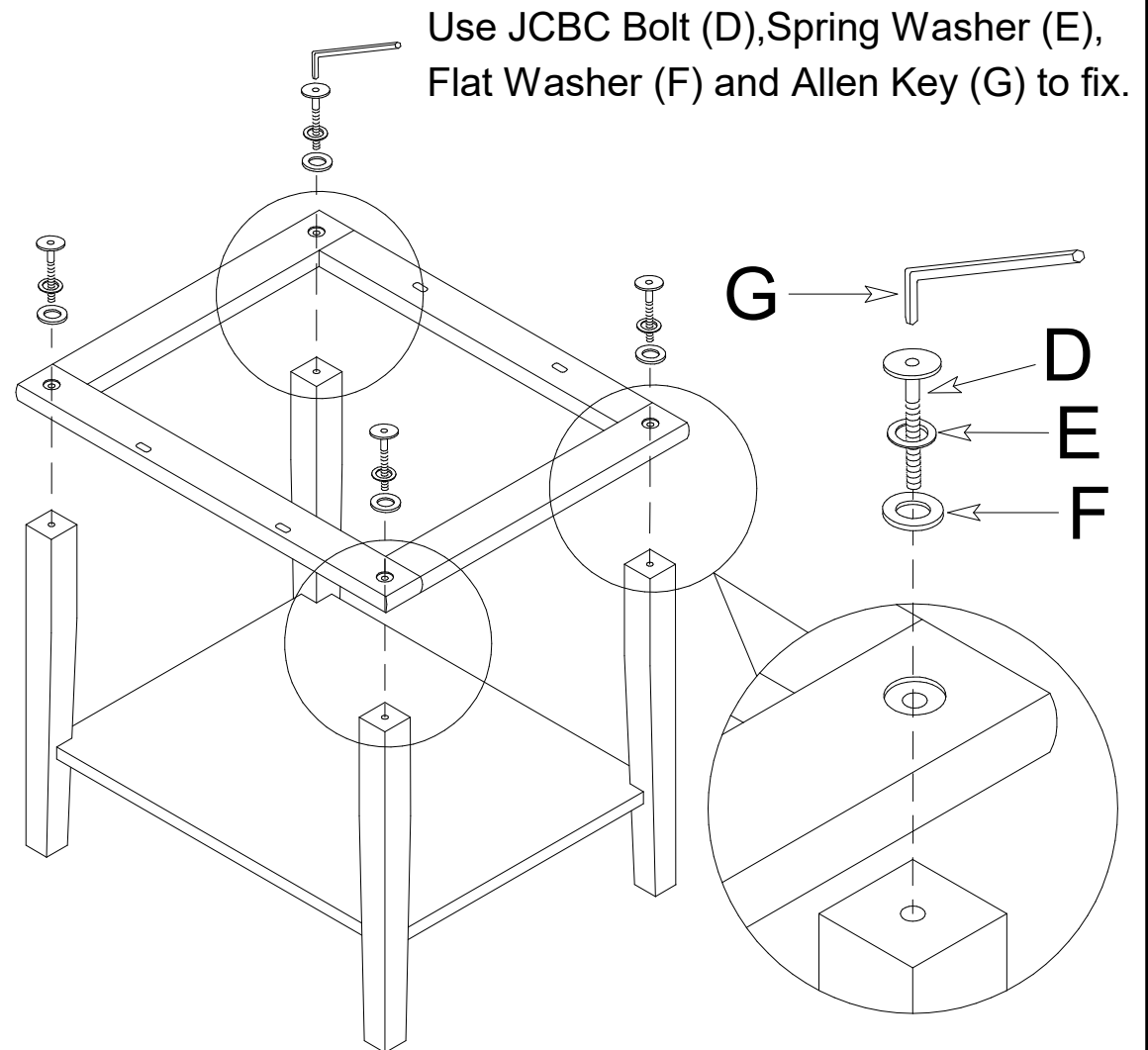
# ASSEMBLY INSTRUCTION

## MODEL : NEWTON (NIGHT STAND)

### STEP 3.



### STEP 4.

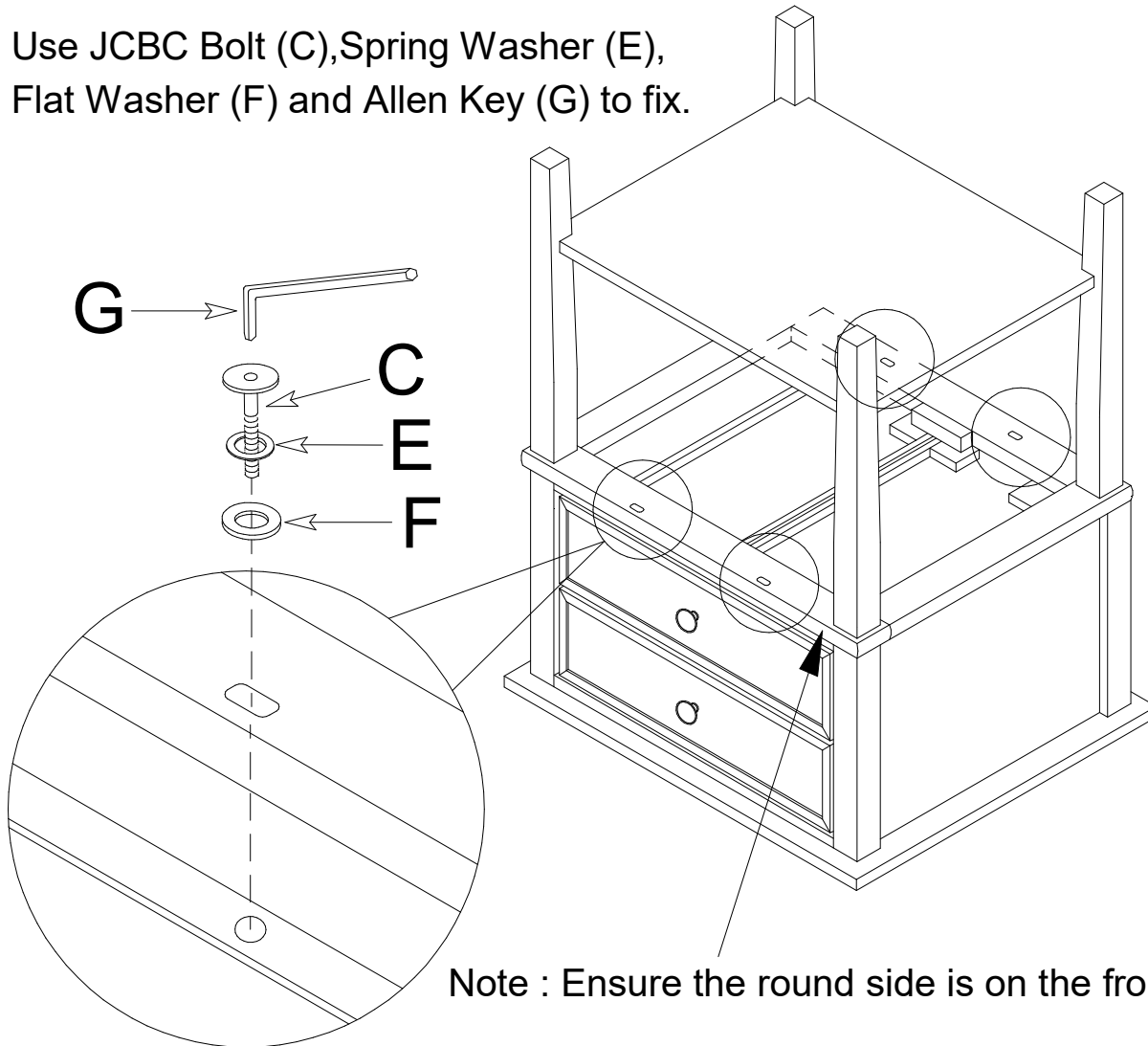


# ASSEMBLY INSTRUCTION

## MODEL : NEWTON (NIGHT STAND)

### STEP 5.

Use JCBC Bolt (C), Spring Washer (E), Flat Washer (F) and Allen Key (G) to fix.



### STEP 6.

Attach handle using handle screw (B).

