

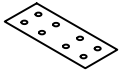

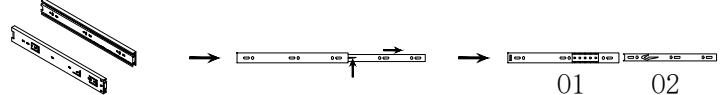
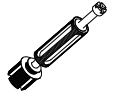

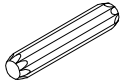
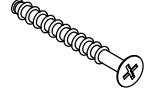

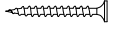



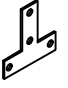
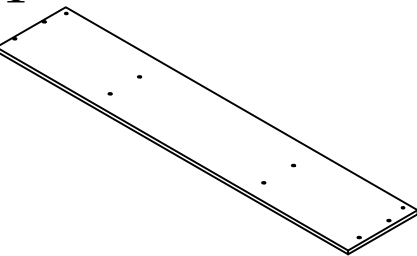
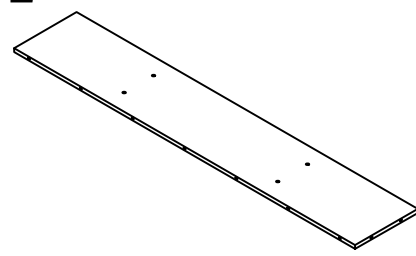
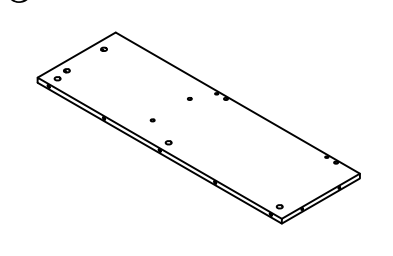
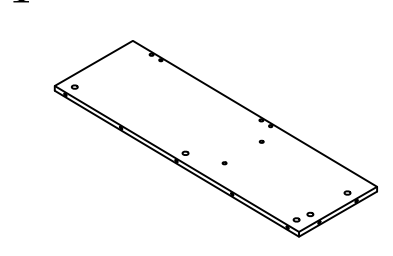
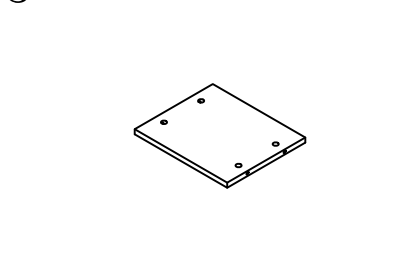
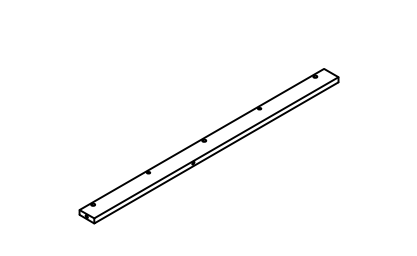
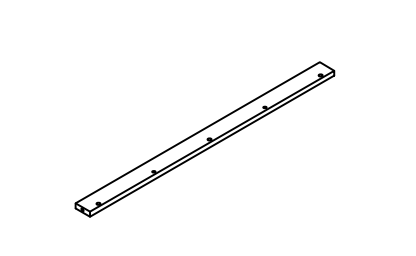
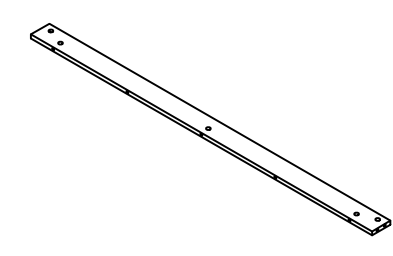
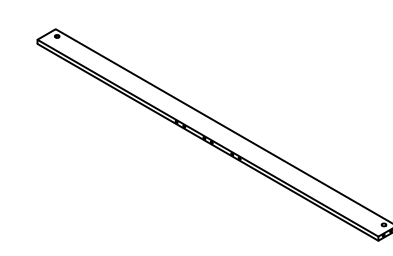
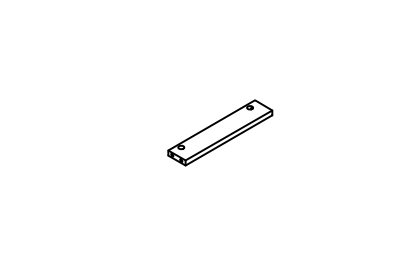
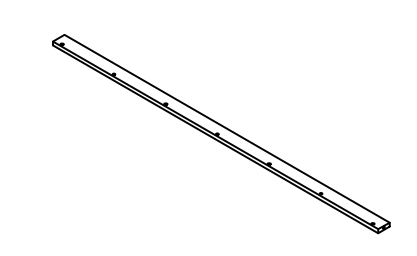
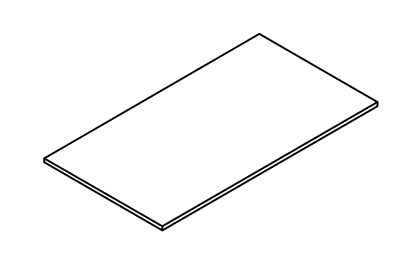
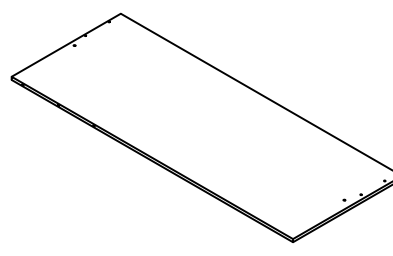
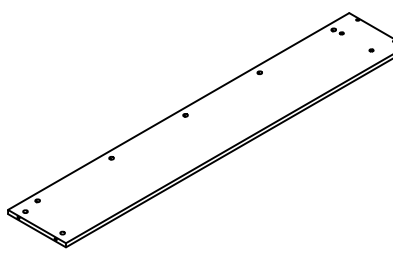
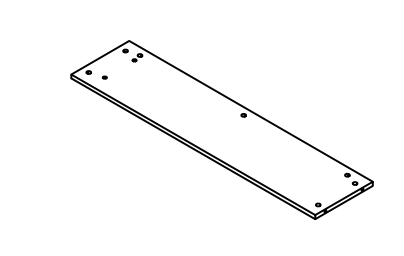
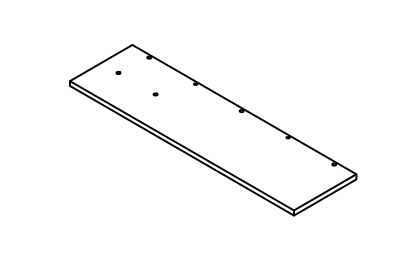
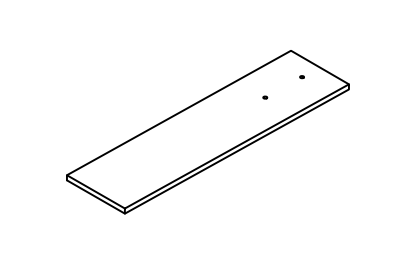
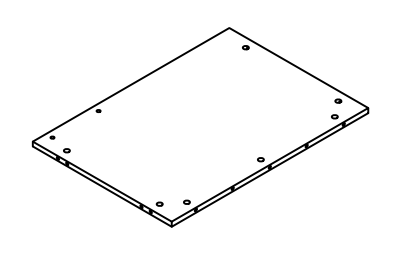
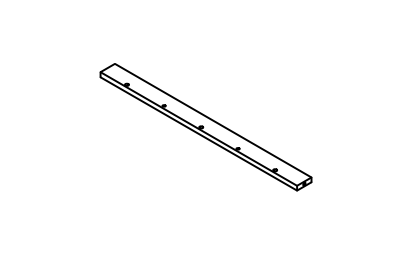
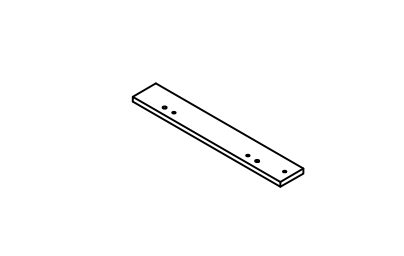


<b>K</b>  128mm 2PCS	<b>L</b>  4*12 4PCS	<b>M</b>  2PCS	<b>N</b>  39PCS	<b>O</b>  400mm 2PCS					
<b>A</b>  113PCS	<b>B</b>  113PCS	<b>C</b>  8*40 58PCS	<b>D</b>  7*50 4PCS	<b>E</b>  3.5*14 40PCS	<b>F</b>  3.5*35 8PCS	<b>G</b>  28PCS	<b>H</b>  6*20 4PCS	<b>I</b>  400mm 2PCS	<b>J</b>  2PCS

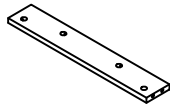
<p>1</p>  <p>1520*300 1PS</p>	<p>2</p>  <p>1474*270 1PS</p>	<p>3</p>  <p>845*270 1PS</p>	<p>4</p>  <p>845*270 1PS</p>	<p>5</p>  <p>320*270 2PS</p>
<p>6</p>  <p>845*50 1PS</p>	<p>7</p>  <p>845*50 1PS</p>	<p>8</p>  <p>1474*80 1PS</p>	<p>9</p>  <p>1474*80 1PS</p>	<p>10</p>  <p>300*60 3PS</p>
<p>11</p>  <p>1406*50 1PS</p>	<p>12</p>  <p>930*510 1PS</p>	<p>13</p>  <p>1520*590 1PS</p>	<p>14</p>  <p>1474*250 1PS</p>	<p>15</p>  <p>1054*250 1PS</p>
<p>16</p>  <p>775*216 1PS</p>	<p>17</p>  <p>775*200 1PS</p>	<p>18</p>  <p>680*480 1PS</p>	<p>19</p>  <p>680*50 1PS</p>	<p>20</p>  <p>80*510 1PS</p>

21



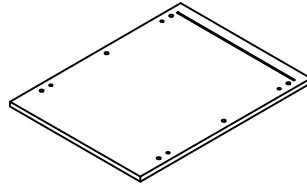
80\*80 2PS

22



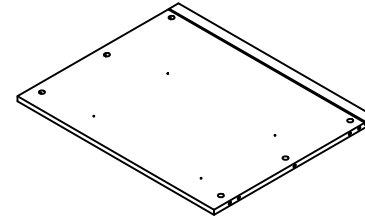
478\*80 2PS

23



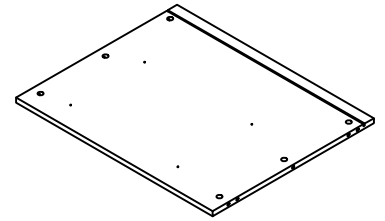
450\*590 1PS

24



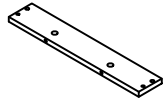
680\*557 1PS

25



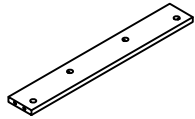
680\*557 1PS

26



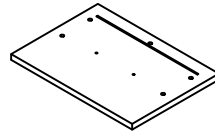
450\*80 2PS

27



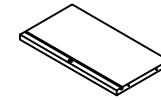
558\*80 2PS

28



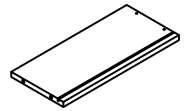
418\*300 1PS

29



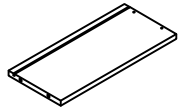
334\*180 1PS

30



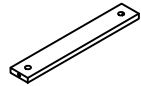
400\*180 1PS

31



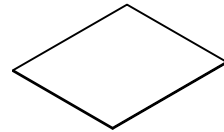
400\*180 1PS

32



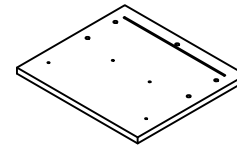
384\*60 2PS

33



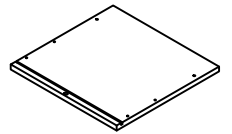
344\*394 2PS

34



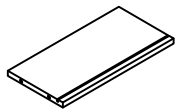
418\*374 1PS

35



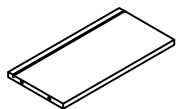
366\*354 1PS

36



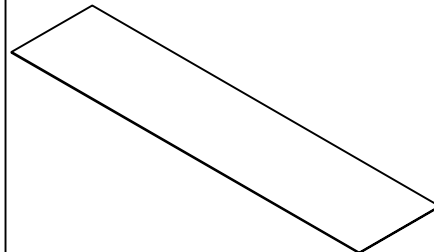
384\*190 1PS

37



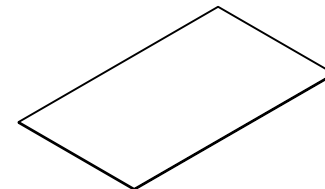
384\*190 1PS

38



1502\*348 1PS

39



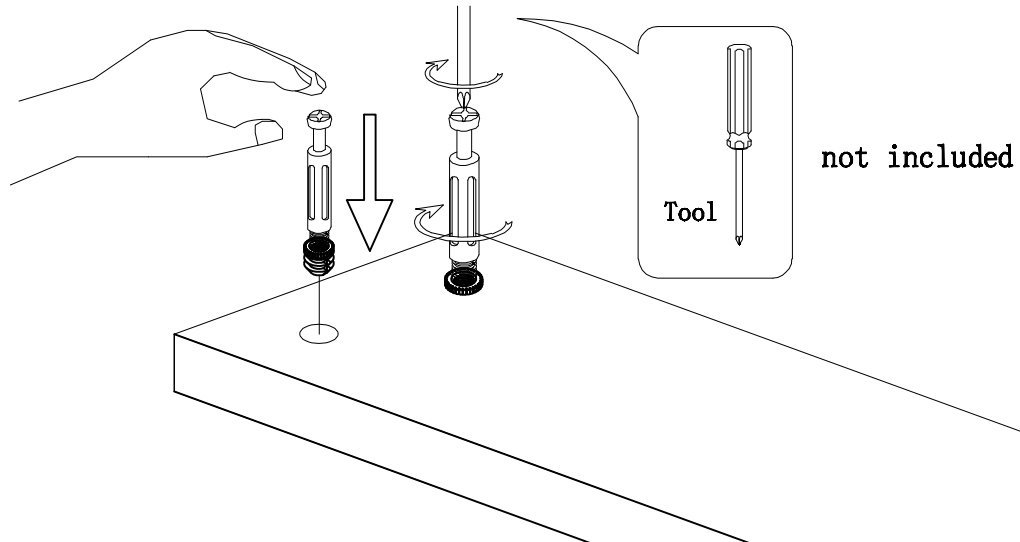
690\*400 1PS



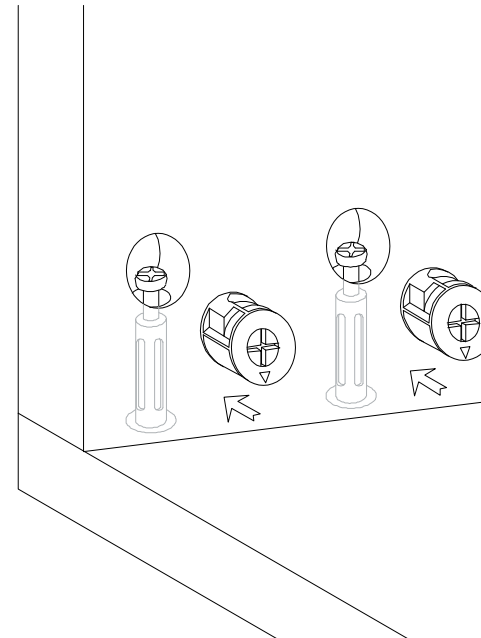
## Hardware installation demonstration

NOTE: Please make sure "A" hardware tightened and can't be pulled out!

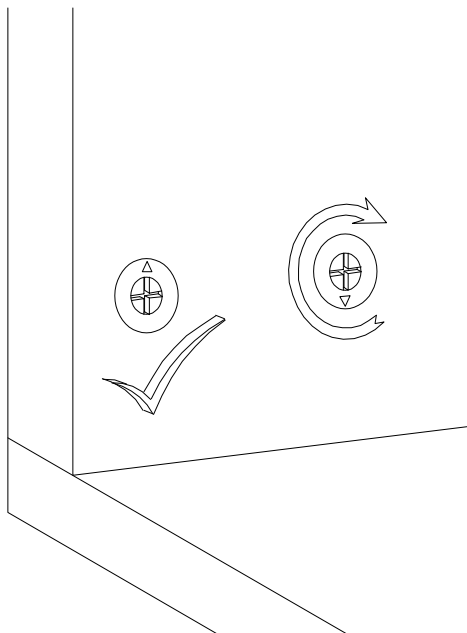
I



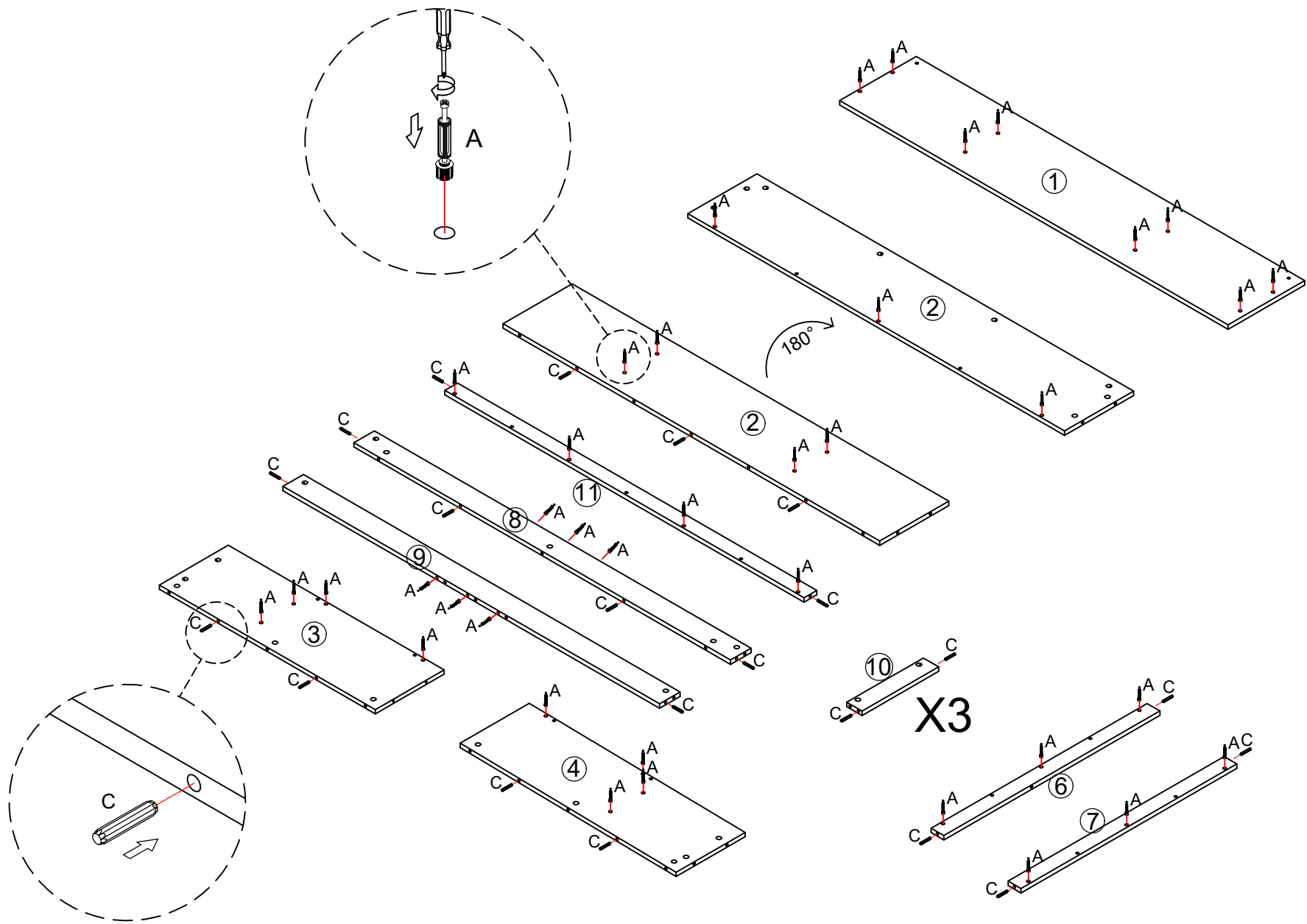
II


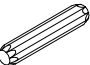


III



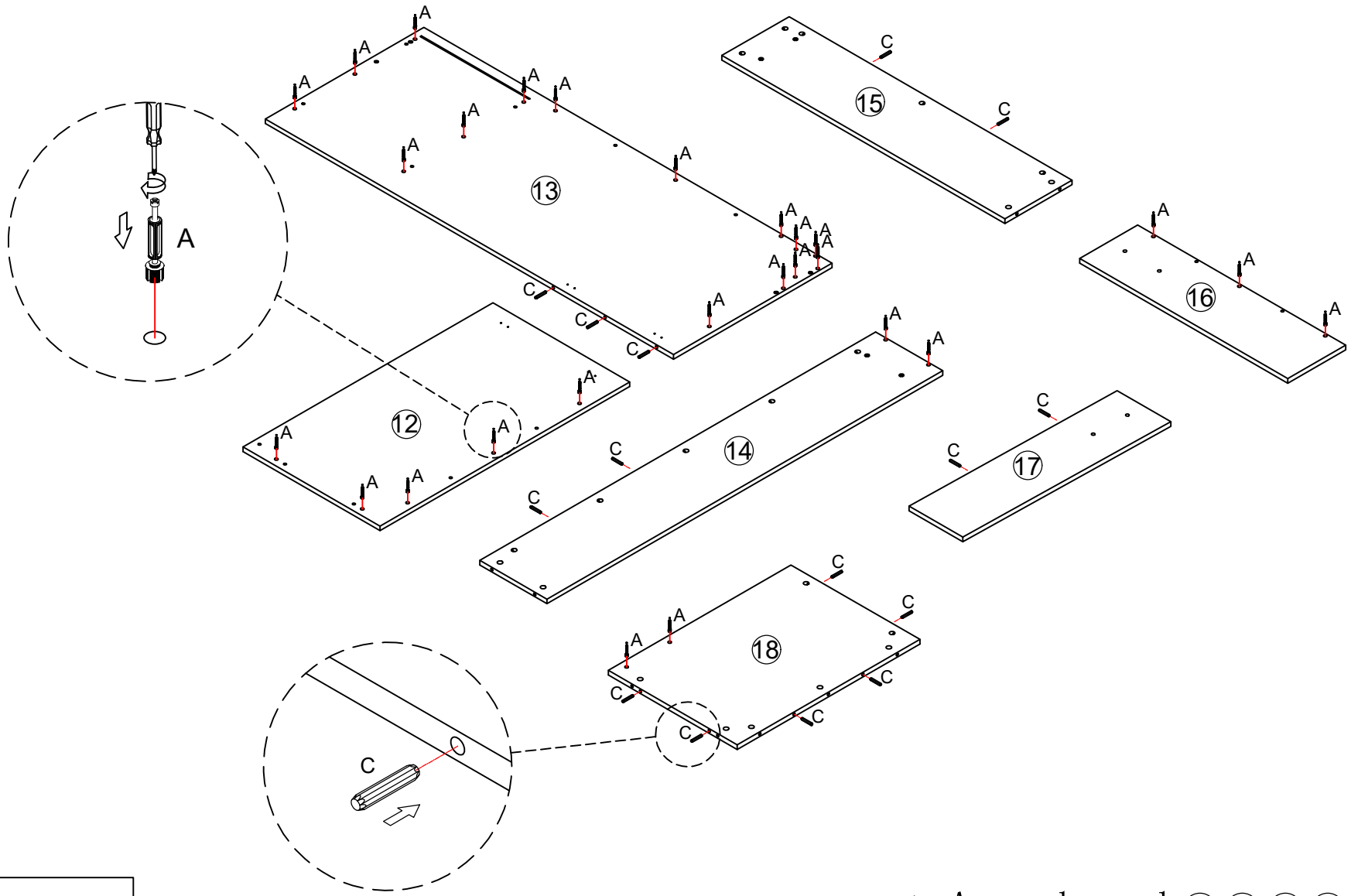
1


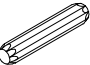


	A*39
	C*25

put A on board ①②③④⑥⑦⑧⑨⑪  
put C on board ②③④⑥⑦⑧⑨⑪

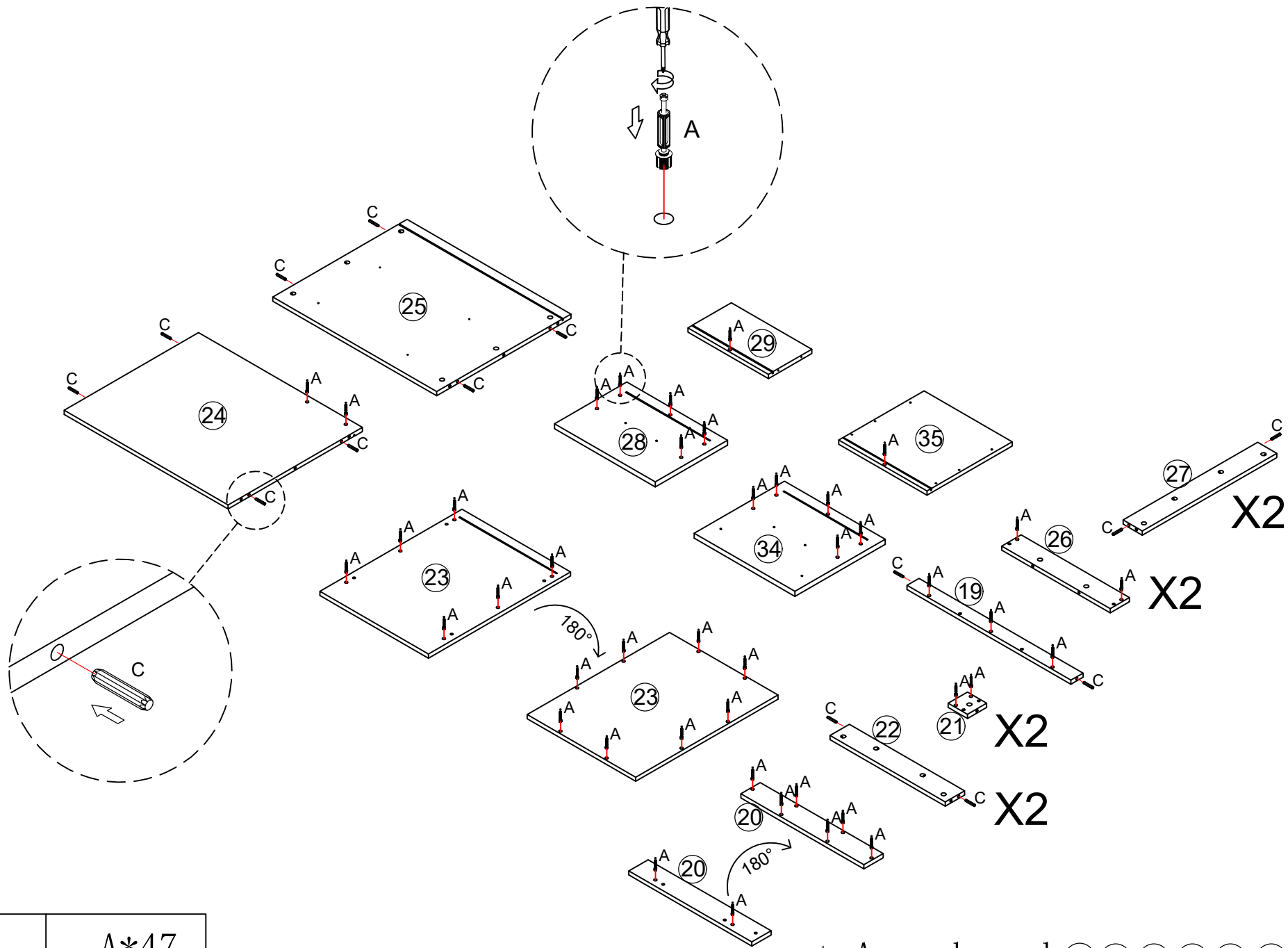
2



	A*27
	C*15

put A on board 12 13 14 16 18  
put C on board 13 14 15 17 18

3

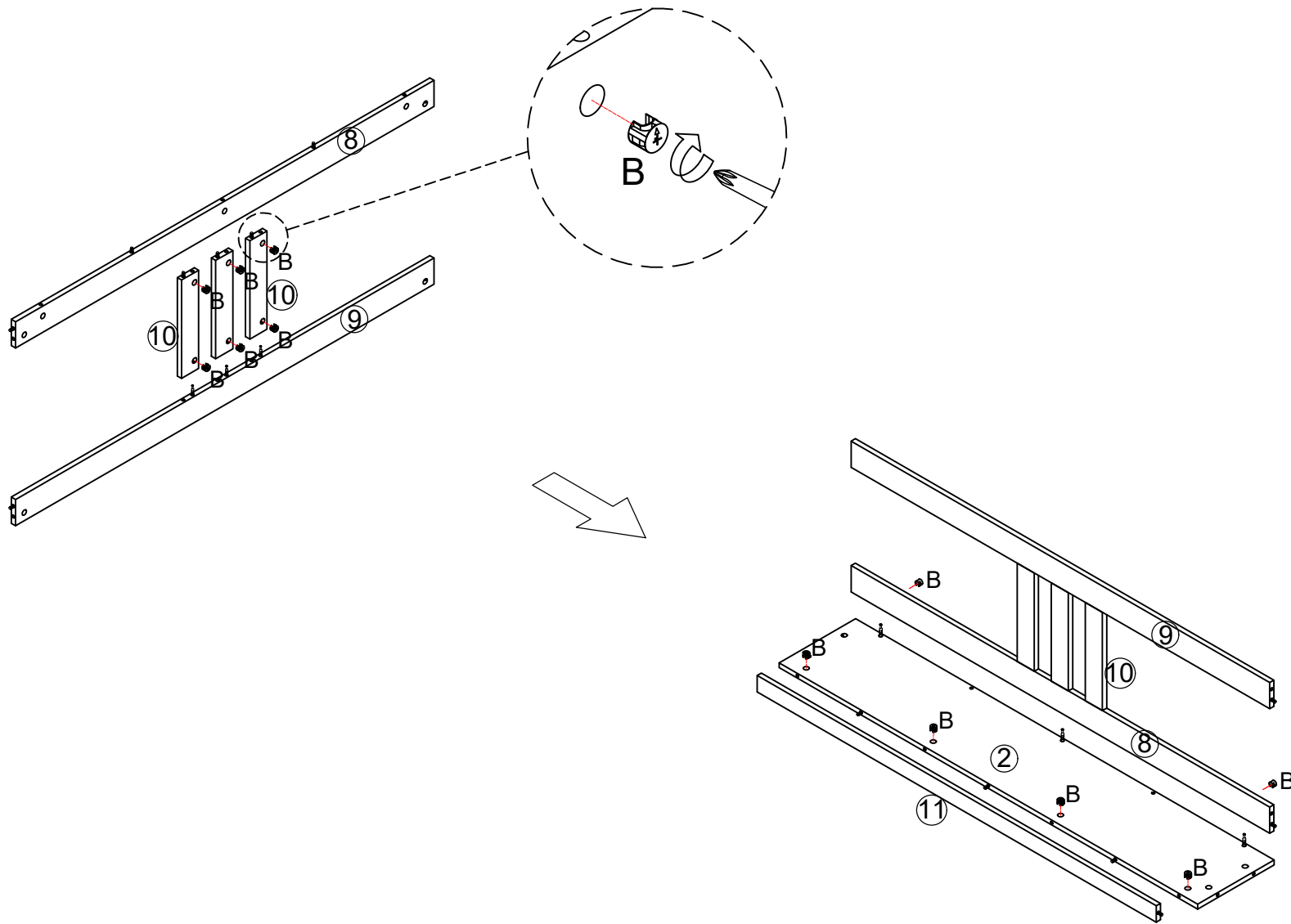


	A*47
	C*18

put A on board 19 20 21 23 26 28 29 34 35  
 put C on board 19 22 24 25 27 28

4

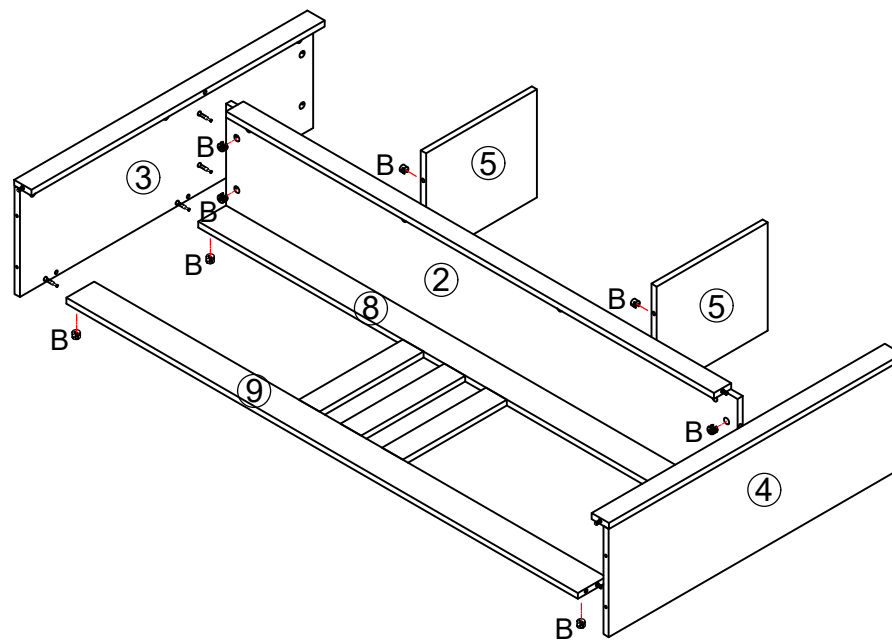
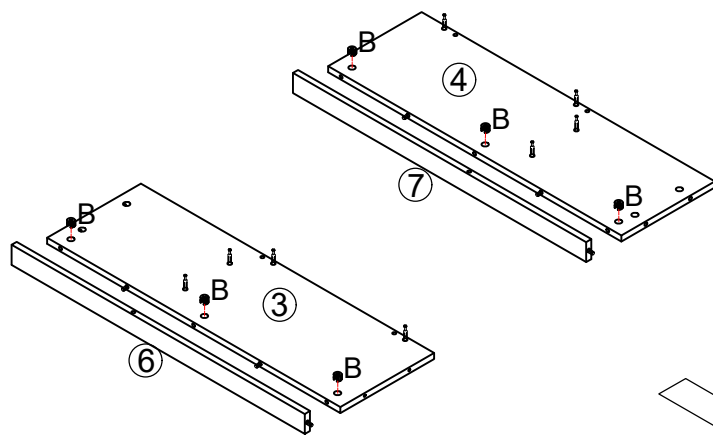
Make sure the arrow on the screw align to the hole on the side.



B\*13

put B on board ② ⑧ ⑩

5

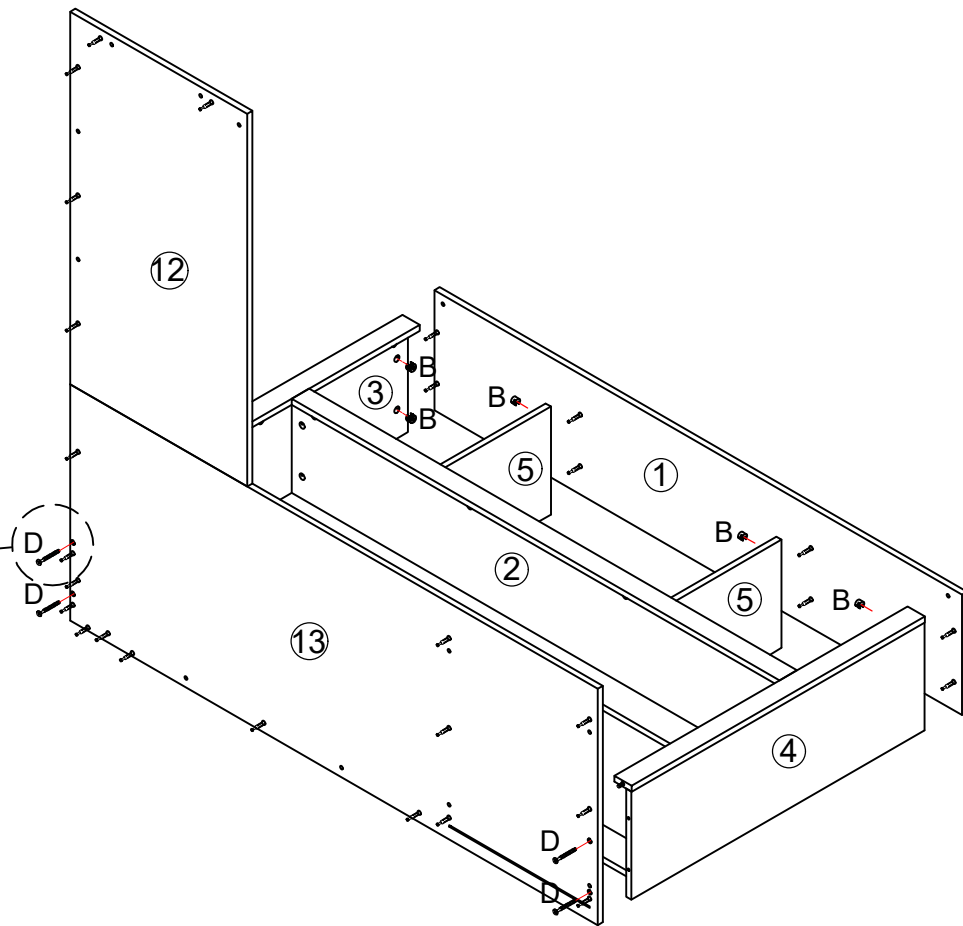
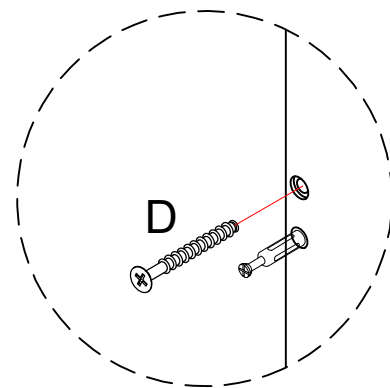
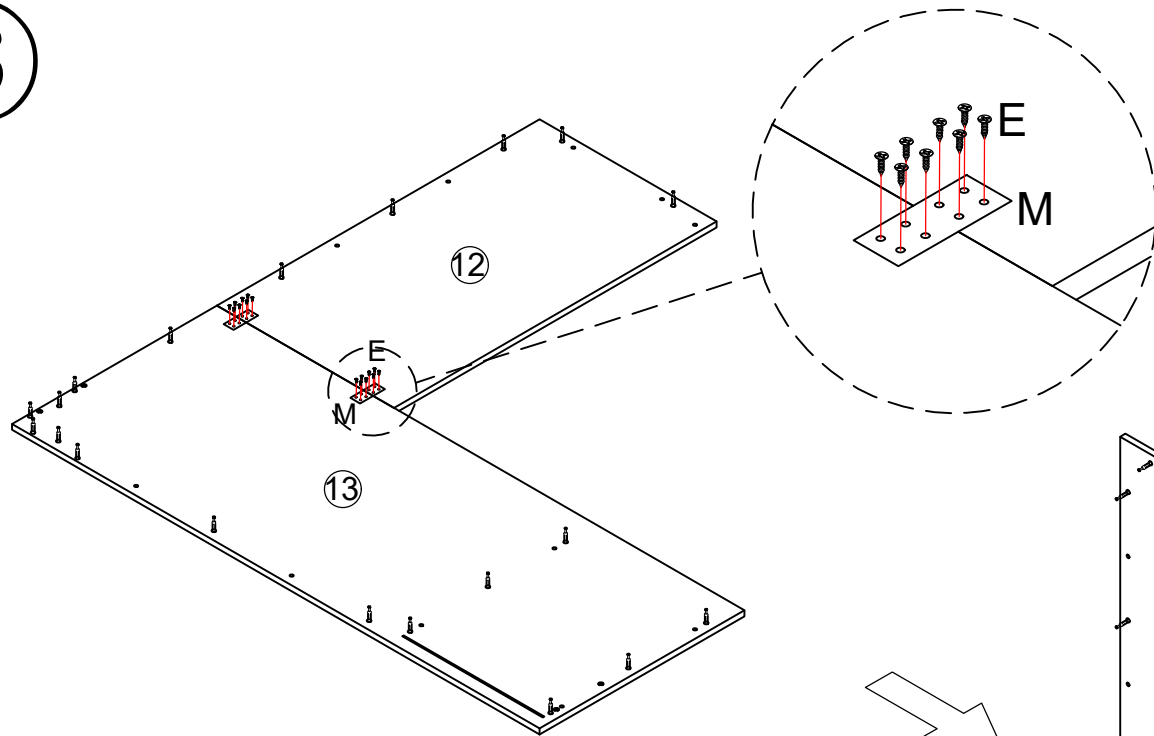


B\*18

put B on board ②③④⑤⑧⑨



6



put B on board ③④⑤



B\*8



D\*4

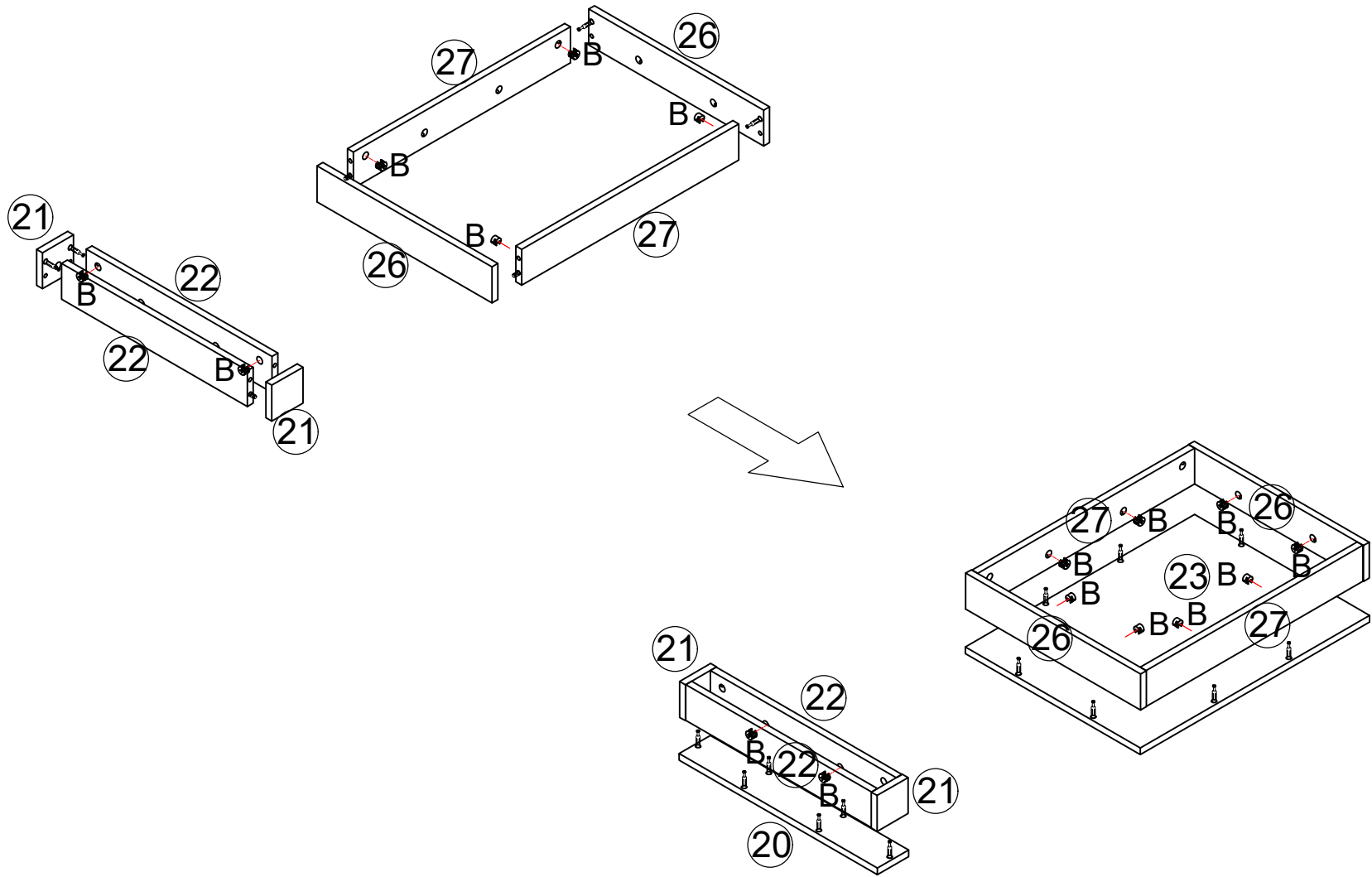


E\*16



M\*2

7

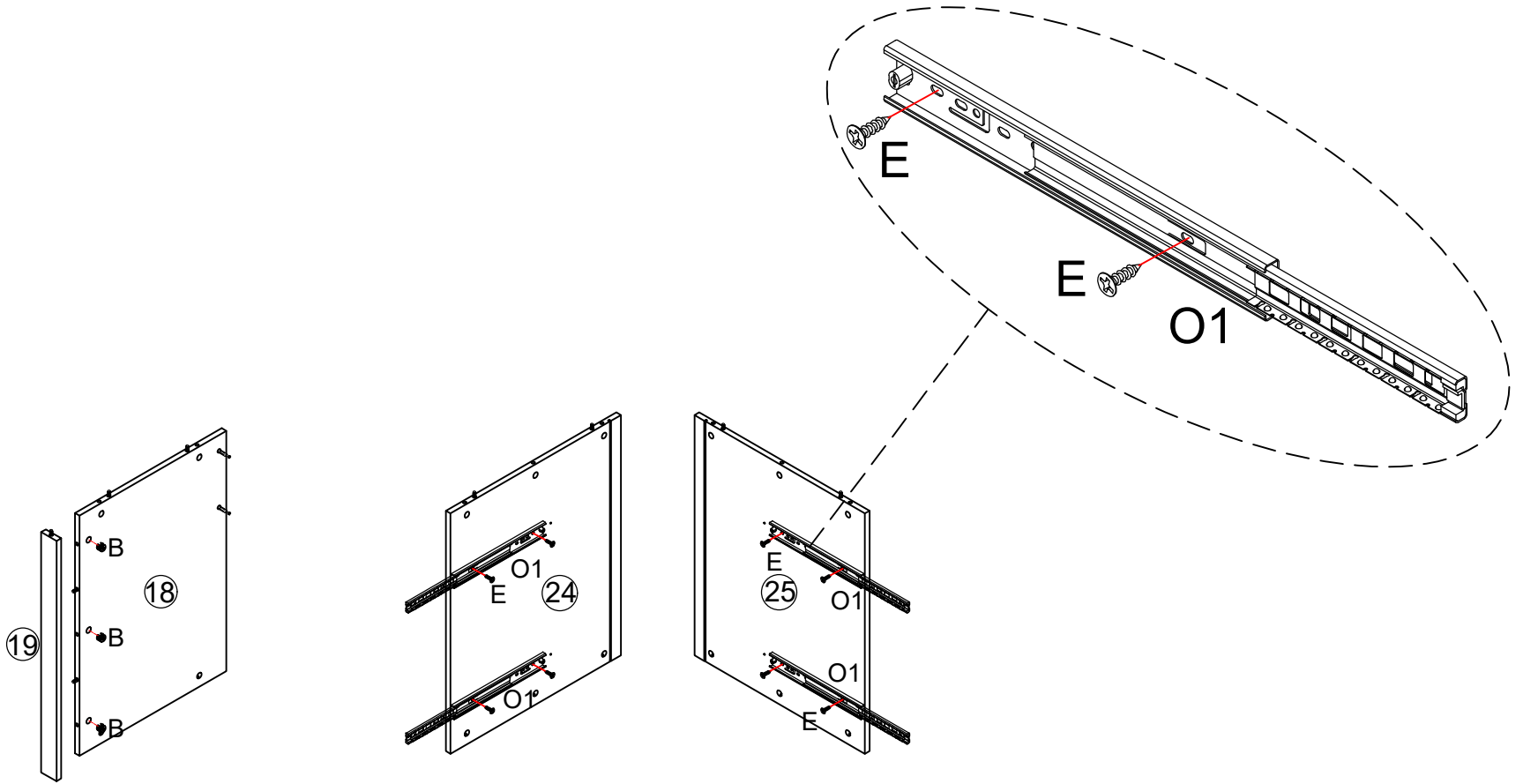





put B on board 21 22 26 27



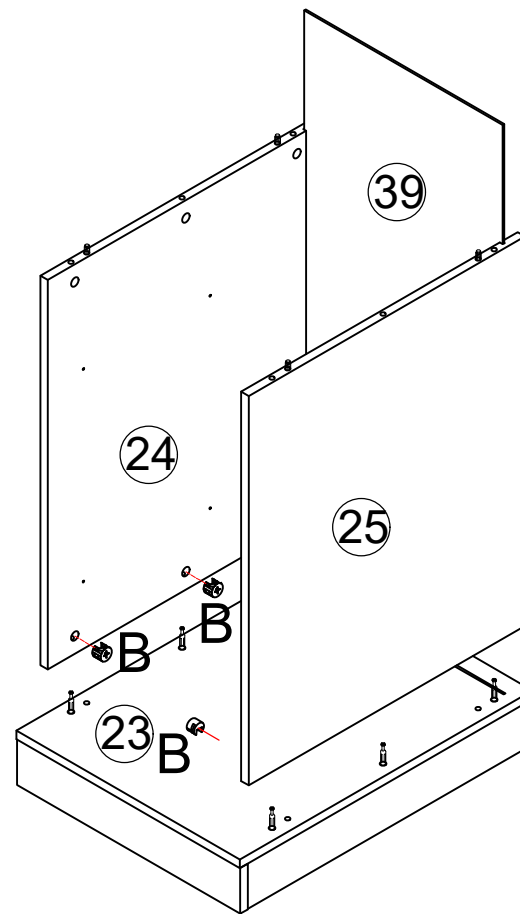
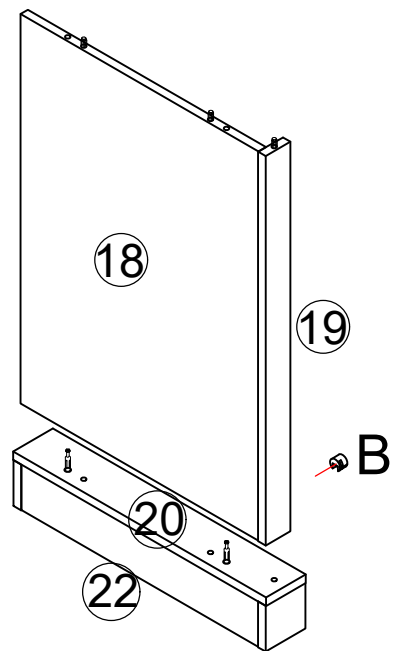
B\*22

8



	B*3
	E*8
	O1*2

9

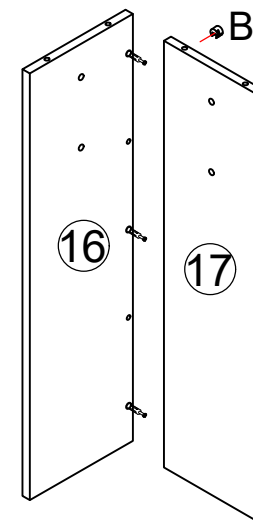
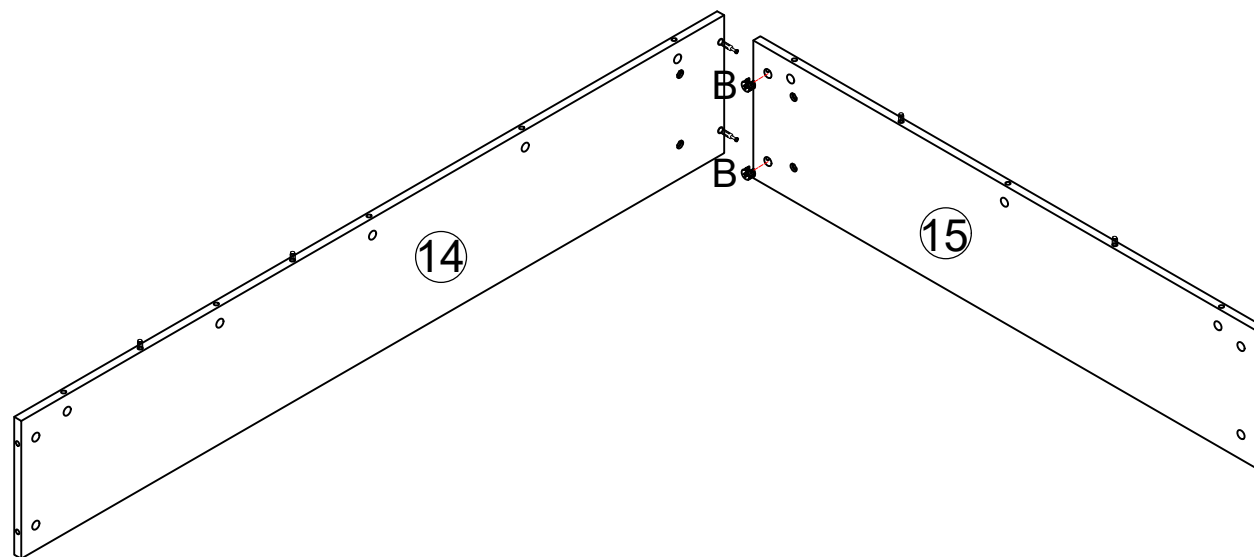


put B on board 18 24 25



B\*8

10

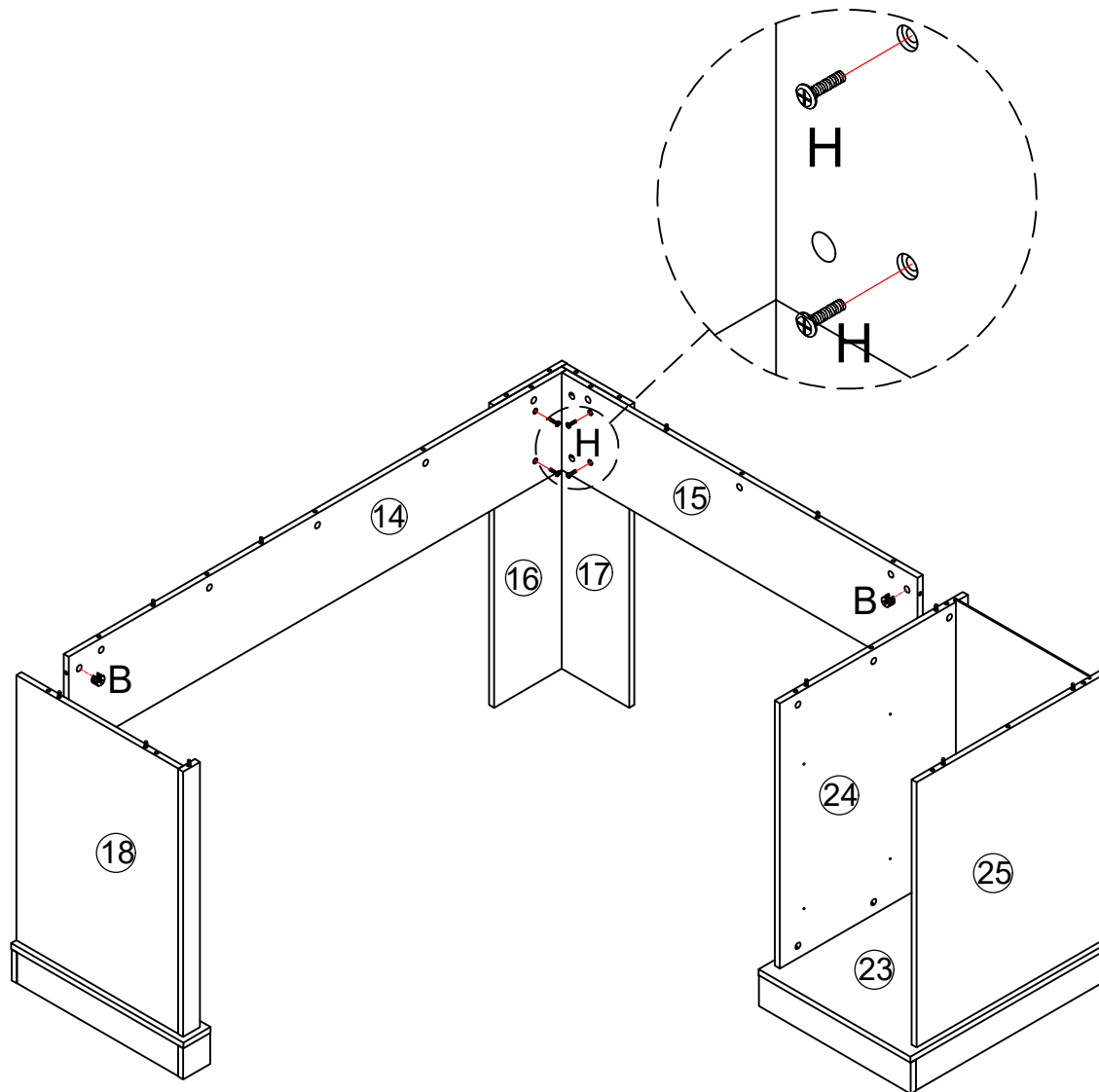


put B on board 15 17



B\*5

11



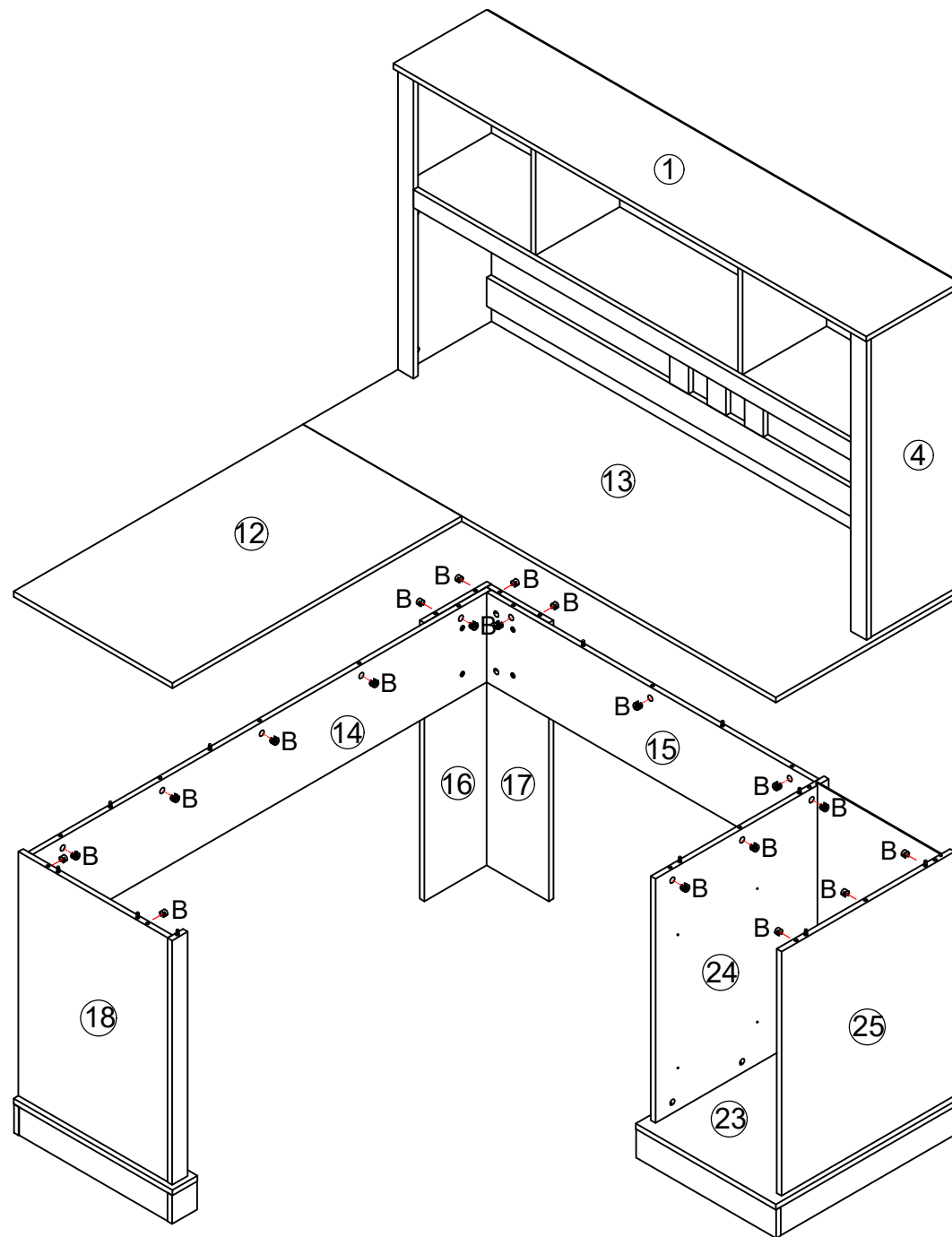
B\*4



H\*4

put B on board 14 15

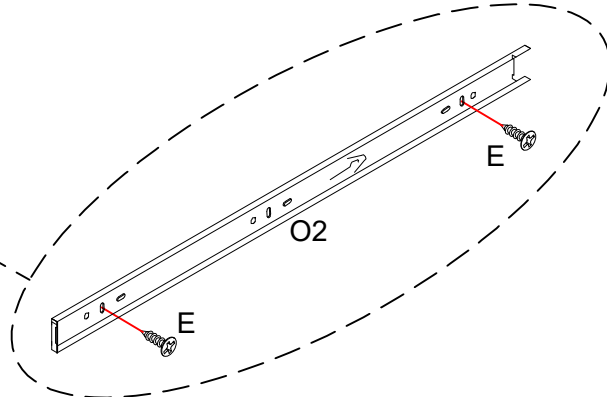
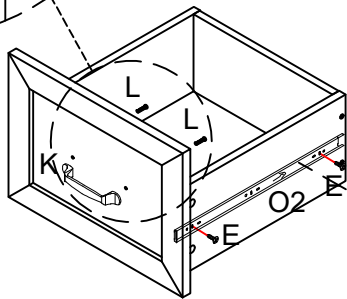
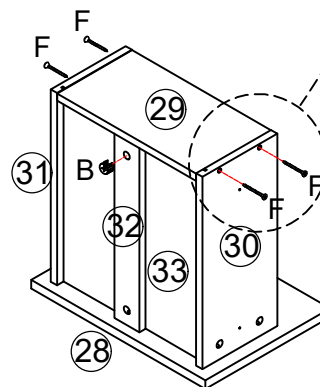
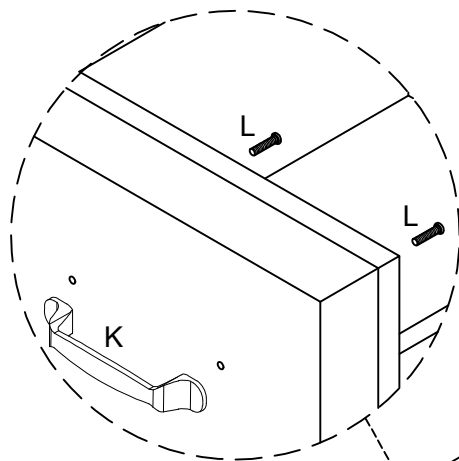
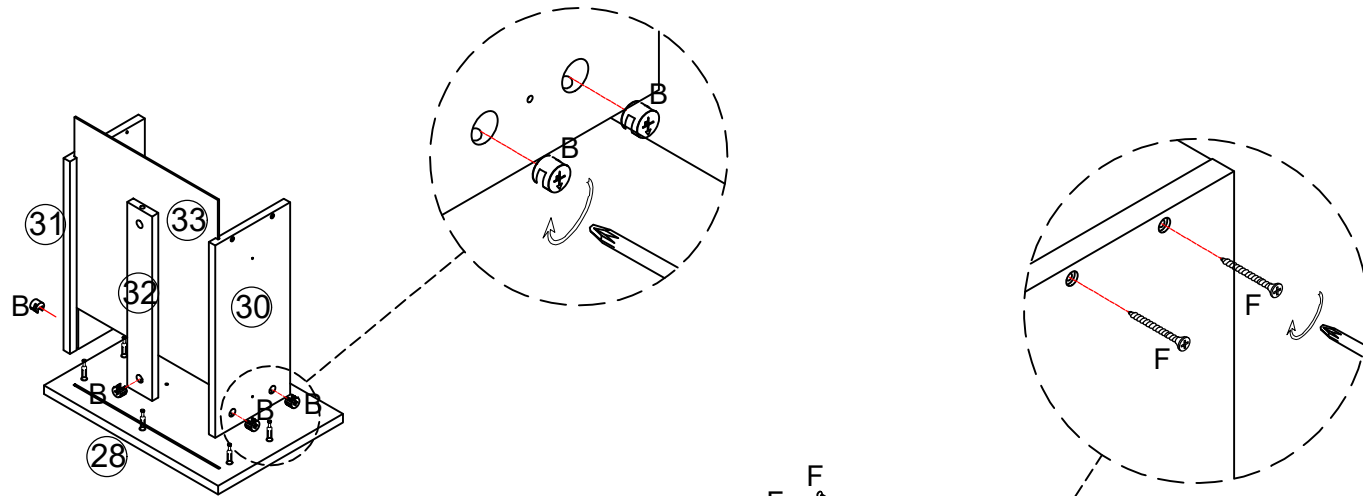
12



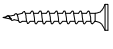





B\*20

put B on board 14 15 16 17 18 24 25

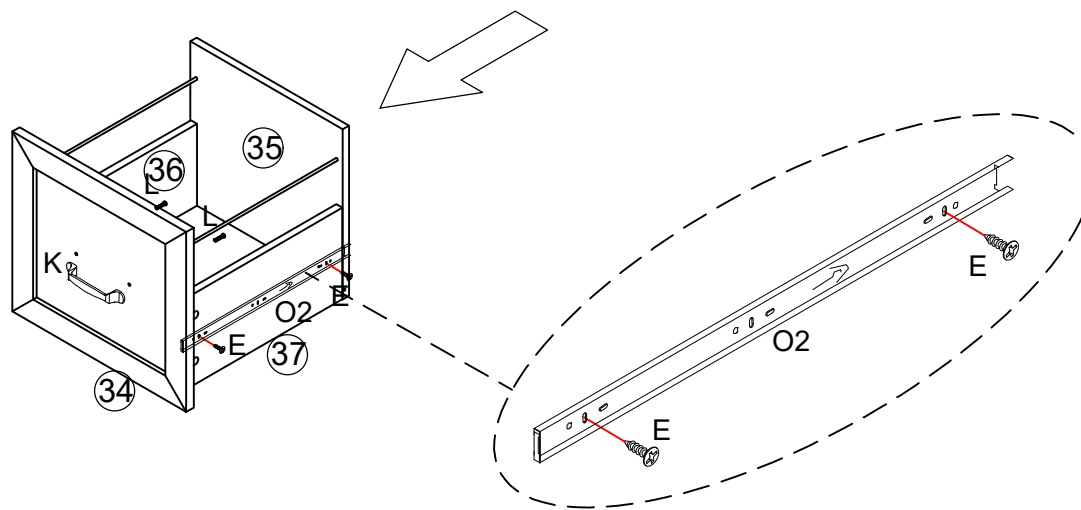
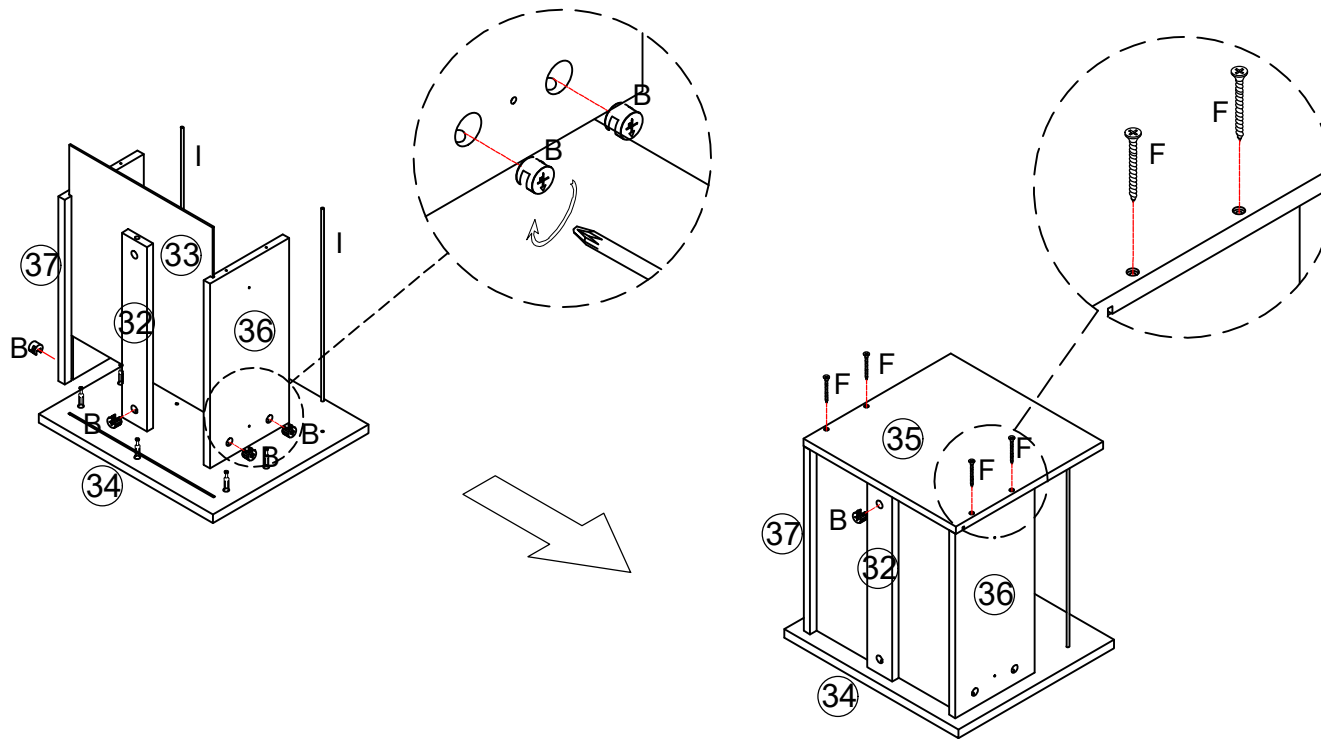




	B*6
	E*4
	F*4
	O2*1
	K*1
	L*2

put B on board 30 31 32

15



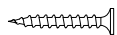
put B on board 32 36 37



B\*6



E\*4



F\*4



I\*2



O2\*1

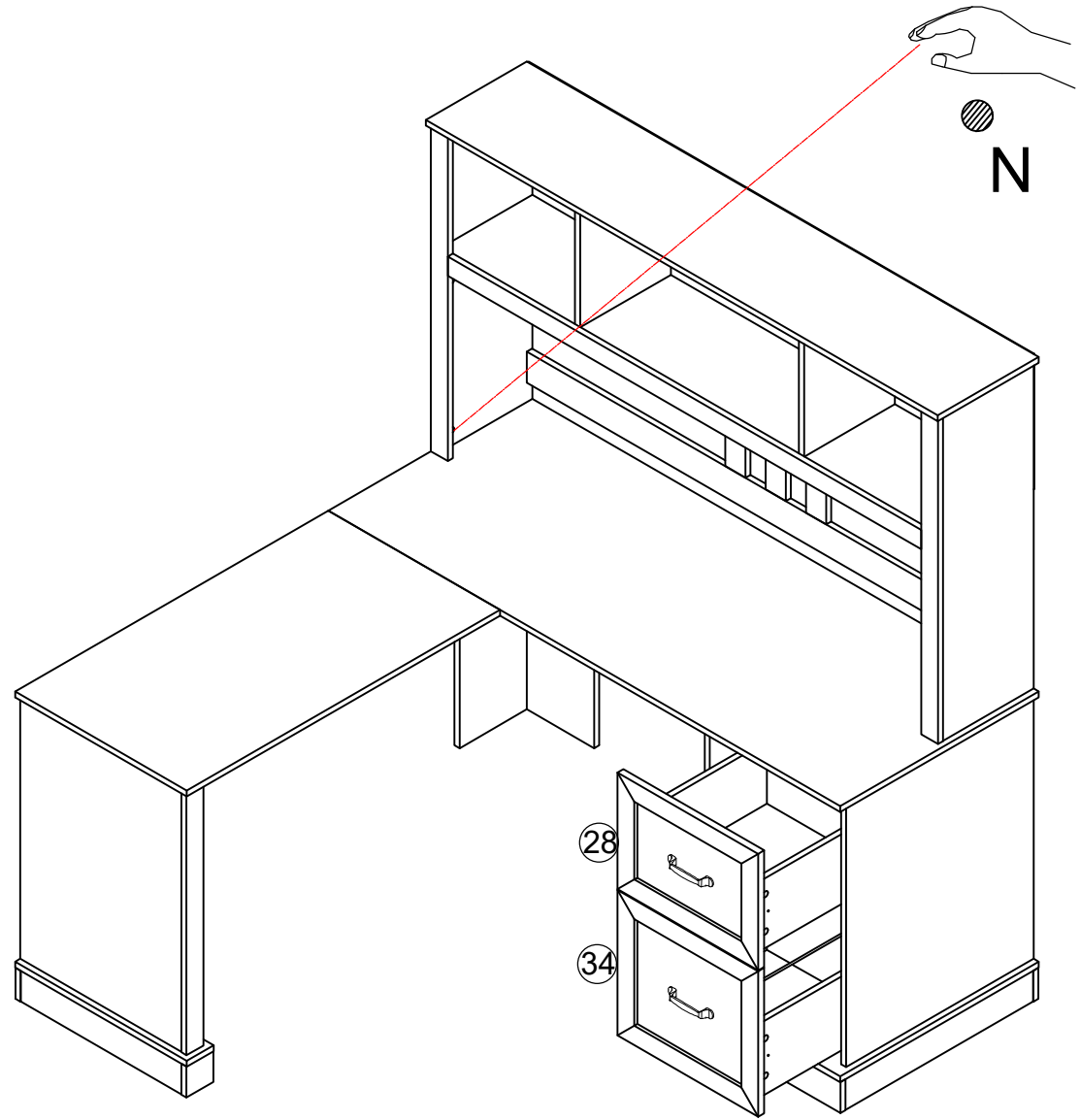


K\*1



L\*2

16



N\*39

17

