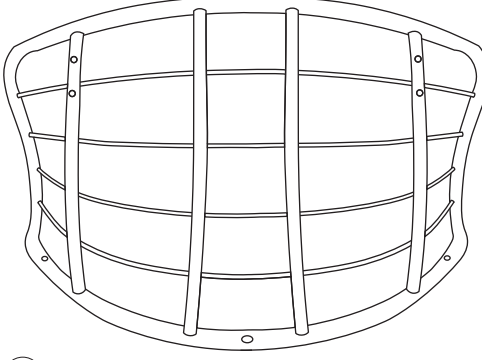
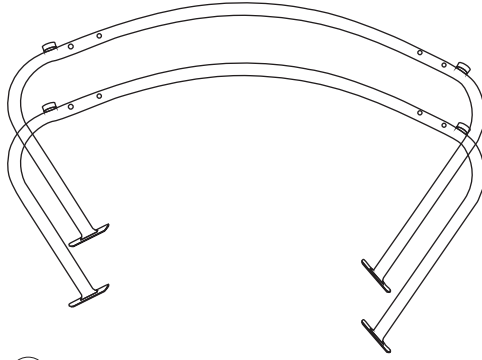

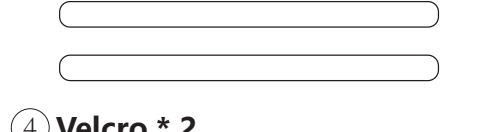
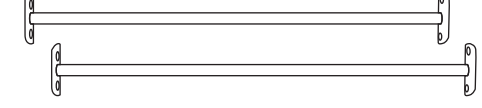
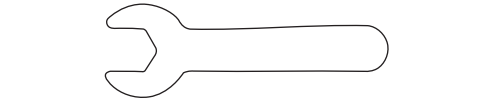
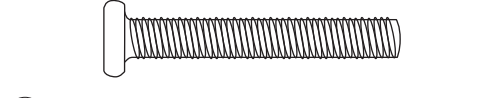
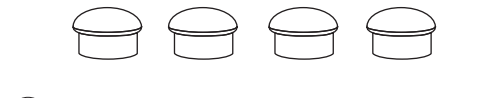
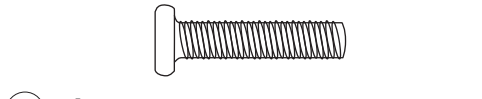
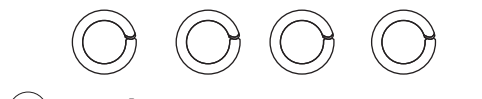

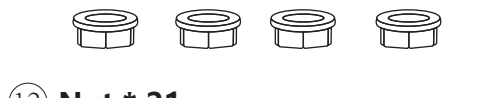


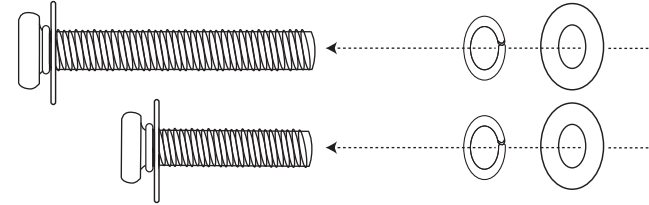
Parts and Hardware List

Please Check All The Parts Before Assembly.

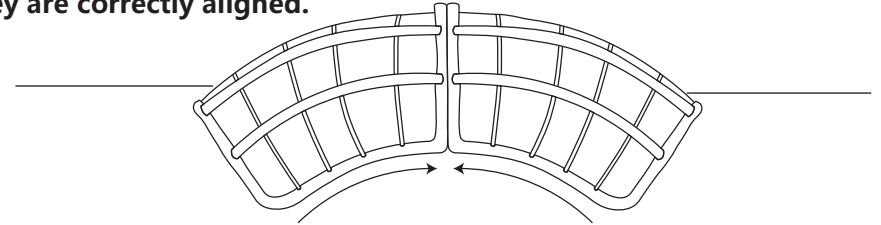
 <p>① Arched load-bearing frame * 2</p>	 <p>② Half round seat frame * 2</p>
 <p>③ Screwdriver * 1</p>	 <p>④ Velcro * 2</p>
 <p>⑤ Bracket * 2</p>	 <p>⑥ Wrench * 1</p>
 <p>⑦ Long screw * 5</p>	 <p>⑧ Anti slip buckle * 4</p>
 <p>⑨ Short screw * 17</p>	 <p>⑩ Iron hoop * 21</p>
 <p>⑪ screw gasket * 21</p>	 <p>⑫ Nut * 21</p>

Installation steps

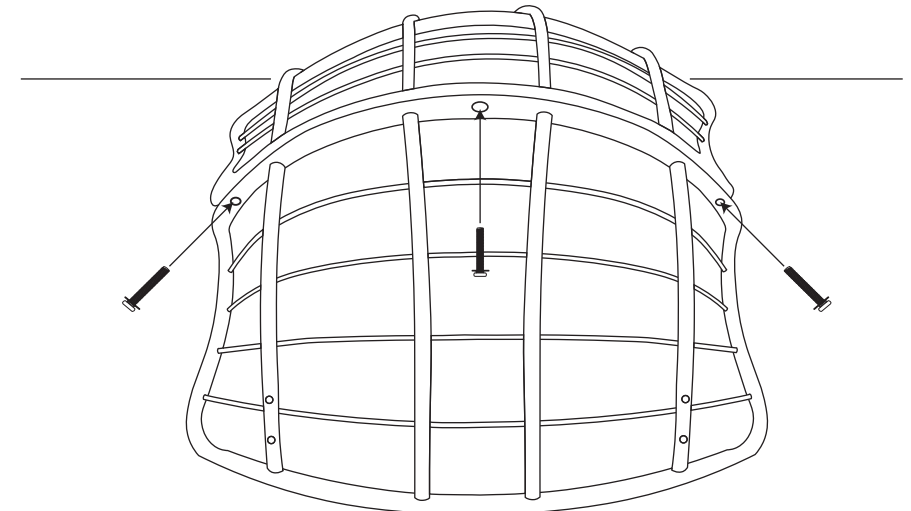
Step 1: First, install 3 long screws and 16 short screws with iron rings and washers.



Step 2: Place the two semi-circular seat frames on a flat surface to ensure they are correctly aligned.

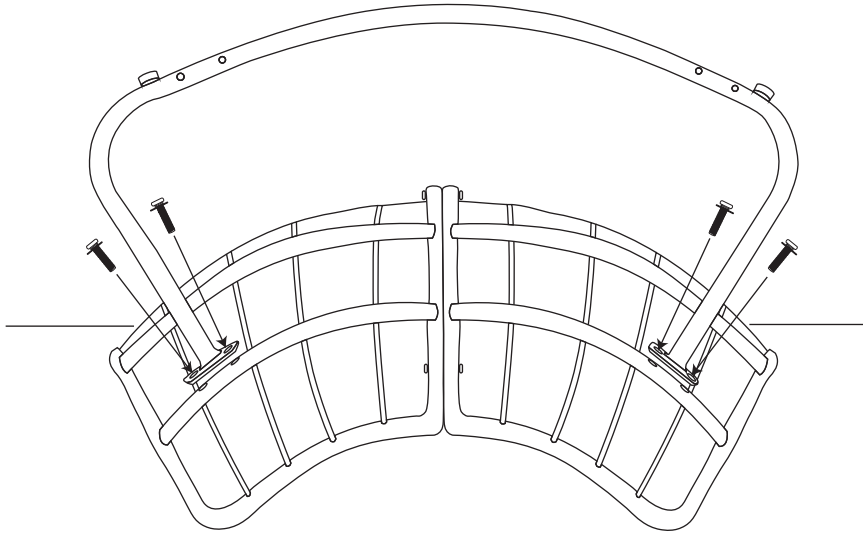


Step 3: Next, use three long screws and nuts to secure the middle three connections of the two semi-circular seat frames.

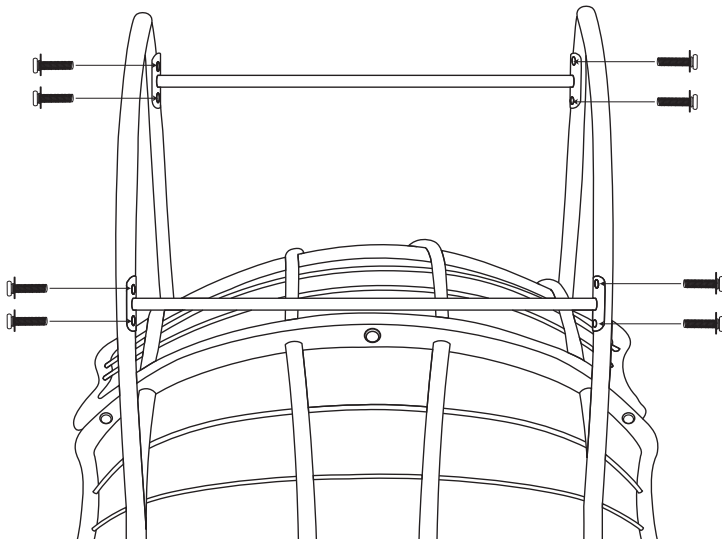


Installation steps

Step 4: Connect the 2 arched load-bearing frames to the assembled circular seat frame and secure them in place with 8 short screws and nuts.



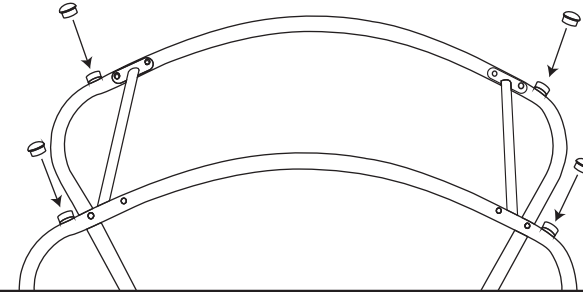
Step 5: Install 2 brackets in the middle of the arched load-bearing frame and secure them with 8 short screws and nuts.



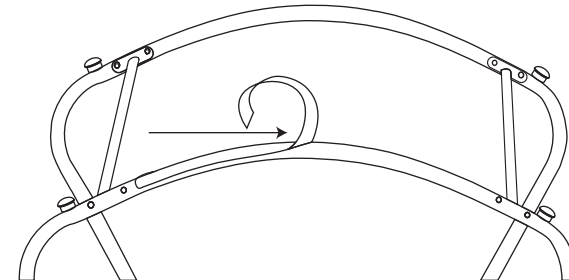
3

Installation steps

Step 6: Install 4 anti slip buckles at the bottom of the arched load-bearing frame to ensure stability.

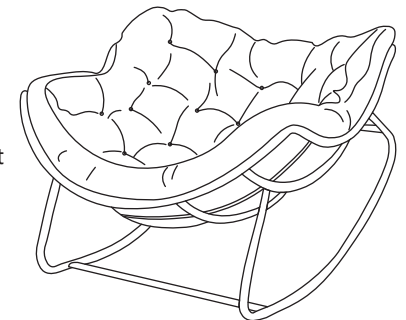


Step 7: Stick two magic sticks to the bottom of the arched load-bearing frame to protect the floor.



Step 8: Finally, place the seat cushion and complete the installation of the rocking chair.

★ If you encounter any problems during the installation process, please feel free to contact us at any time.



4