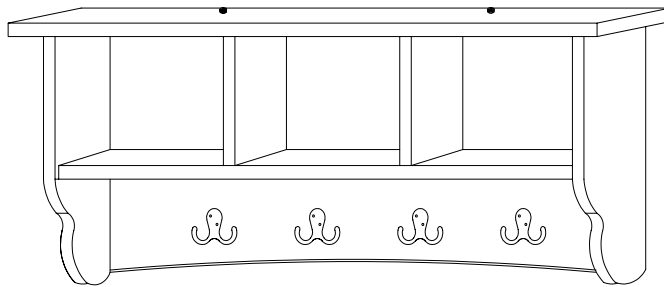


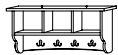
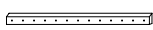

Coat Hooks with Storage



Thank you for purchasing our Coat Hooks with Storage. Assembly of this product requires a screwdriver. **We have found it helpful to have a second person present in at least one step of the assembly.**

Coat Hooks with Storage Assembly Instructions

Lay out all parts on a "non-abrasive" surface to avoid scratching furniture.

NO.	Drawing	Description	Qty.
A		Hooks	1
B		French Cleat	1
C		Wood Screws	4

PARTS

Step 1

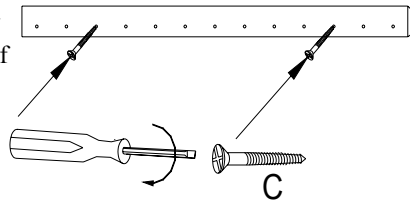
Read through these instructions thoroughly before beginning assembly. We have found this to be of great value when first assembling this product.

Step 2

Remove all parts and hardware from packing material. Wooden pieces should be placed on a non abrasive surface (like the carton or carpet) to prevent damage to the finish. Note the French Cleat (B) is pre-installed on the back of the Hooks (A) with 2 of the Wood Screws (C).

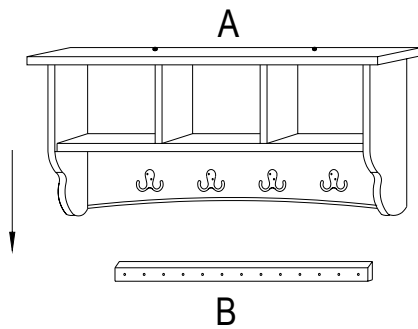
Step 3

Remove the French Cleat (B) from the back of the Hooks (A) by unscrewing 2 of the pre-installed Wood Screws (C), on the top of the Hooks (A). Locate studs behind drywall in desired location. Attach French Cleat (B) to wall studs with 2 Wood Screws (C).



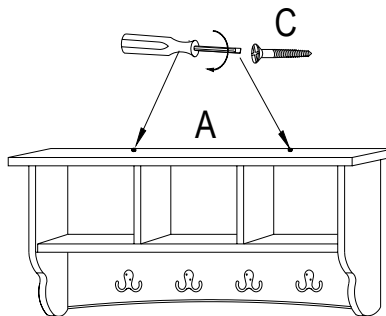
Step 4

Set Hooks (A) on French Cleat (B) and attach with 2 Wood Screws (C).



Step 5

It is recommended that the shelf be stud mounted for stability.



CARE

Clean with mild soap and wipe dry.

REPLACEMENT PARTS

Please do not contact the company you purchased from as we can help you faster.