

ASSEMBLY INSTRUCTIONS



ARMLESS CHAIR

ASSEMBLY INSTRUCTIONS

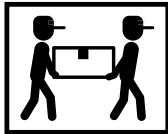
ASSEMBLY TIPS:

- 1. Remove hardware from box and sort by size.
- 2. Please check to see that all hardware and parts are present prior to start of assembly.
- 3. Please follow attached instructions in the same sequence as numbered to assure fast & easy assembly.



WARNING!

- 1. Don't attempt to repair or modify parts that are broken or defective. Please contact the store immediately.
- 2. This product is for home use only and not intended for commercial establishments.



ASSEMBLY TIME

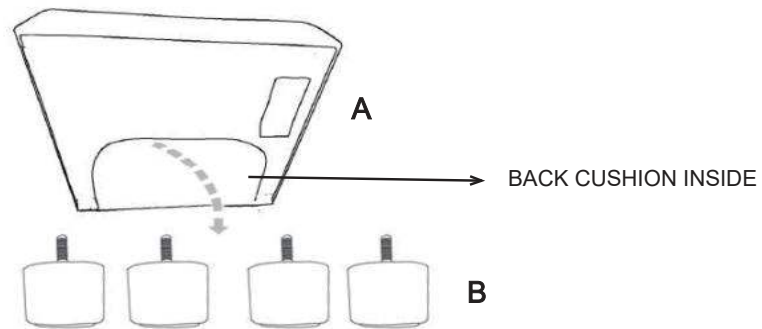
10 MINUTES

PARTS IDENTIFICATION

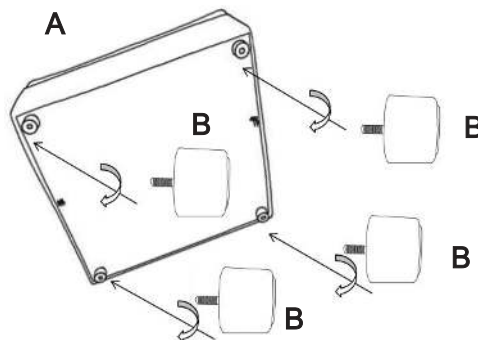
	PART NAME	FIGURE	QUANTITY
A	ARMLESS CHAIR		1PC
B	LEG		4PCS
C	BACK CUSHION		1PC

ASSEMBLY INSTRUCTIONS

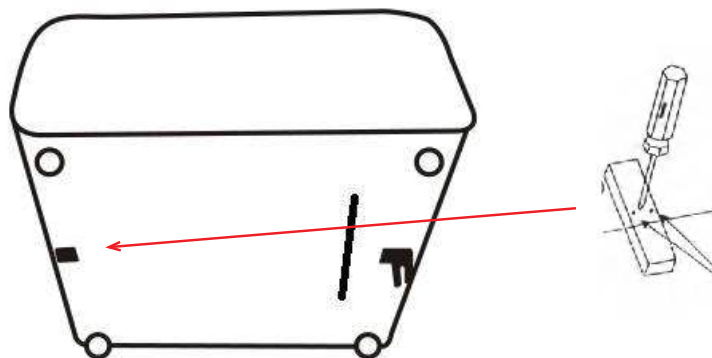
STEP 1 Turn over the item and take out the legs from zippered pouch



STEP 2 Install the legs as pictures show

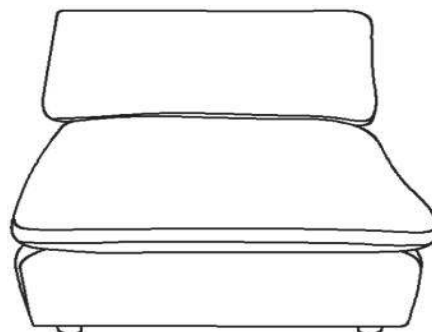


STEP 3 Please remove the wood block with screwdriver,do not use a hammer



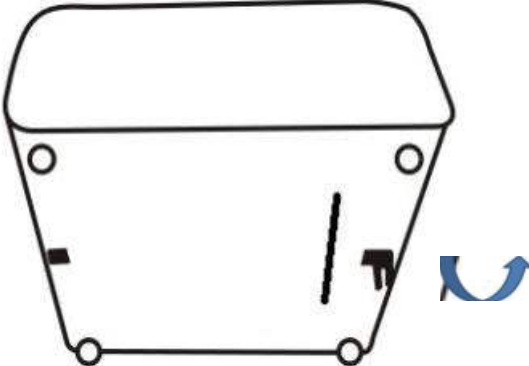
STEP 4

COMPLETE



ASSEMBLY INSTRUCTIONS

STEP 5 Rotate the metal clips

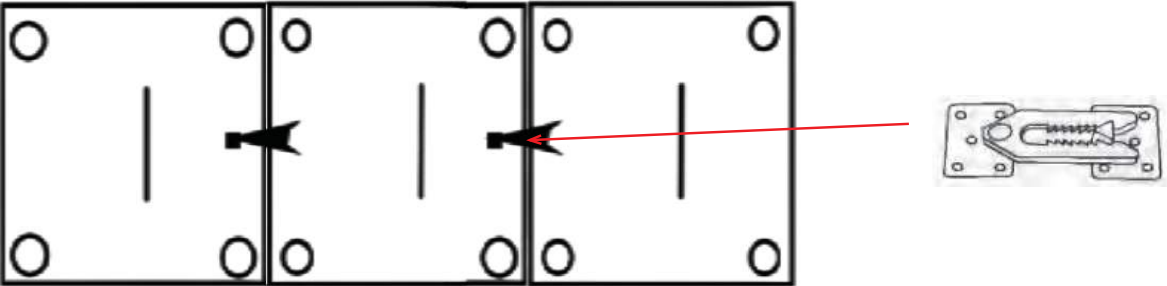


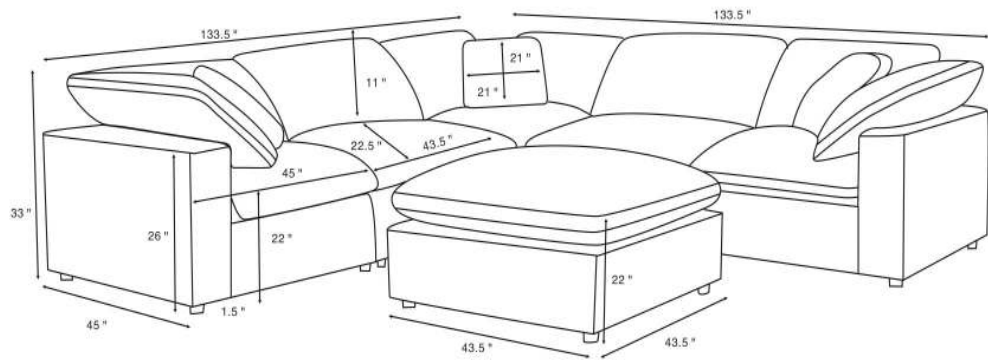
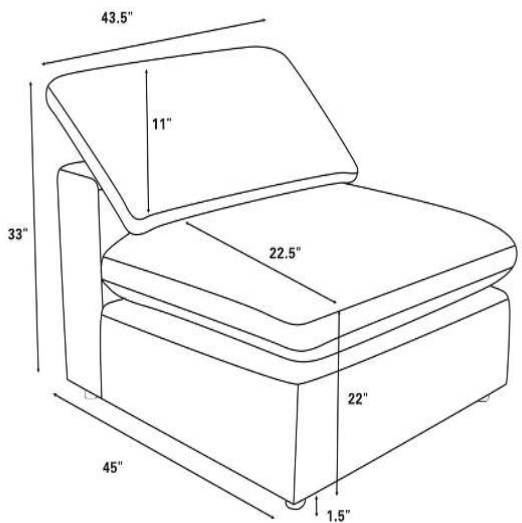
STEP 6 Put the armless chair and corner and ottoman closer

551755 551754 551756



STEP 7 Insert the metal clips to connect other units as pictures show





Note : Dimension tolerance $\pm 5\%$

ASSEMBLY INSTRUCTIONS



CORNER

ASSEMBLY INSTRUCTIONS

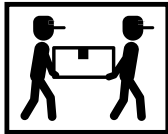
ASSEMBLY TIPS:

- 1. Remove hardware from box and sort by size.
- 2. Please check to see that all hardware and parts are present prior to start of assembly.
- 3. Please follow attached instructions in the same sequence as numbered to assure fast & easy assembly.



WARNING!

- 1. Don't attempt to repair or modify parts that are broken or defective. Please contact the store immediately.
- 2. This product is for home use only and not intended for commercial establishments.



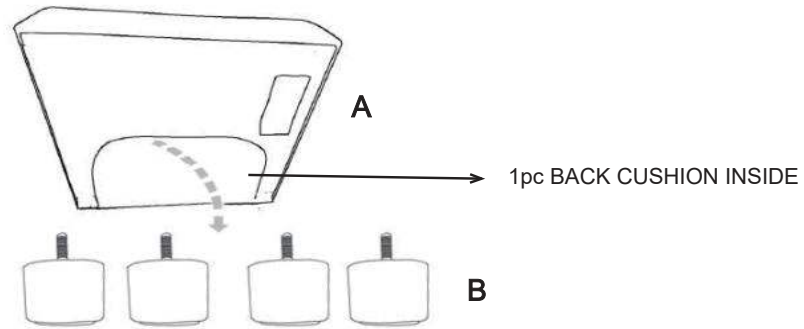
ASSEMBLY TIME **10 MINUTES**

PARTS IDENTIFICATION

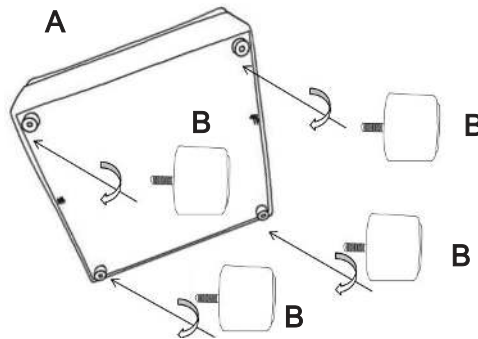
	PART NAME	FIGURE	QUANTITY
A	CORNER		1PC
B	LEG		4PCS
C	PILLOW		1PC
D	BACK CUSHION		2PCS

ASSEMBLY INSTRUCTIONS

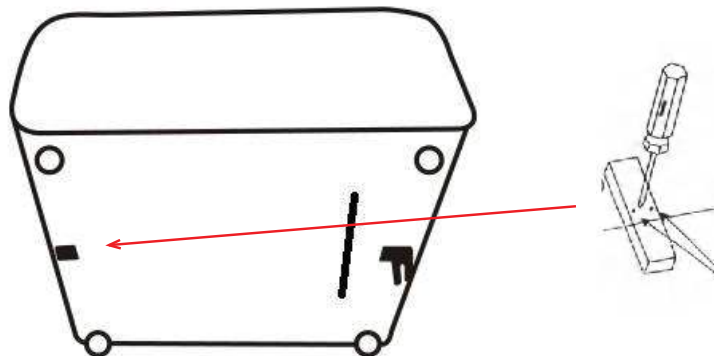
STEP 1 Turn over the item and take out the legs from zippered pouch



STEP 2 Install the legs as pictures show

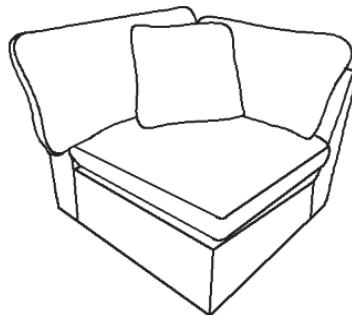


STEP 3 Please remove the wood block with screwdriver,do not use a hammer



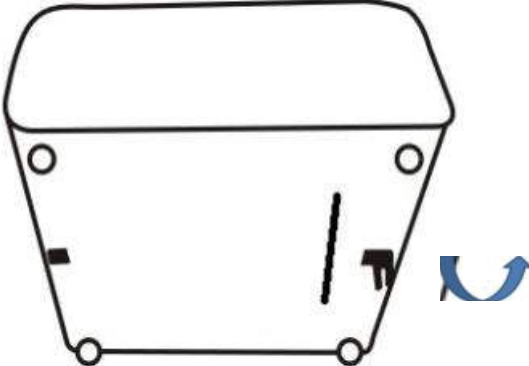
STEP 4

COMPLETE



ASSEMBLY INSTRUCTIONS

STEP 5 Rotate the metal clips

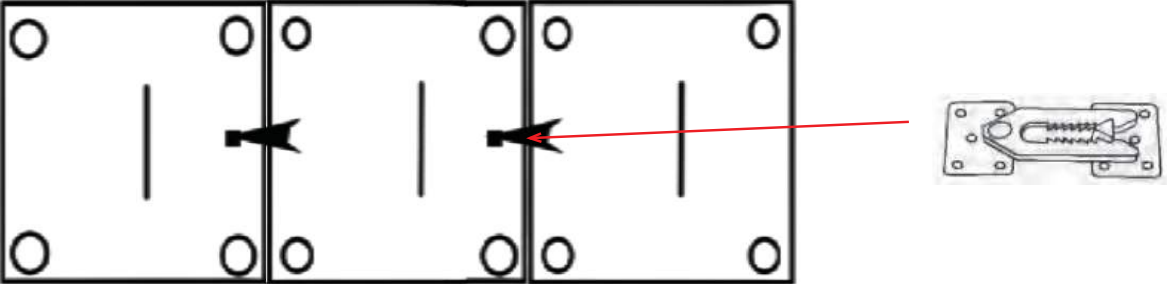


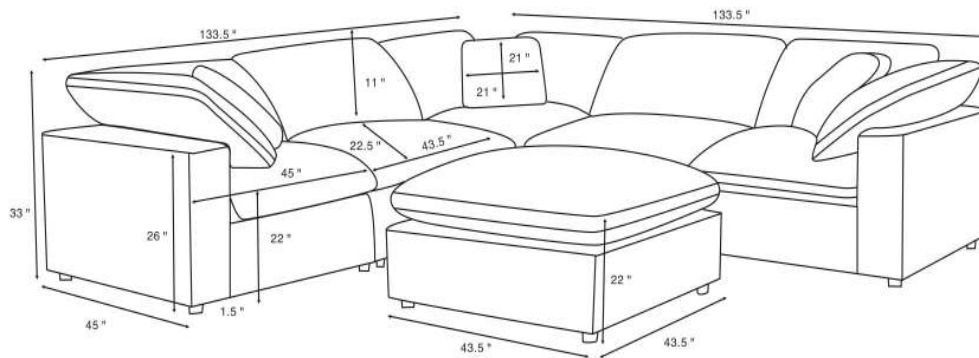
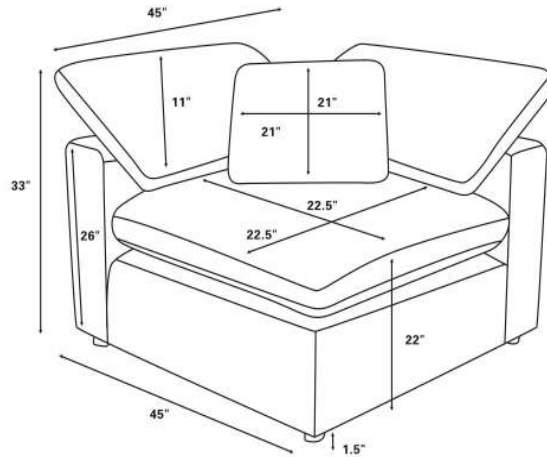
STEP 6 Put the armless chair and corner and ottoman closer

551755 551754 551756



STEP 7 Insert the metal clips to connect other units as pictures show





Note : Dimension tolerance $\pm 5\%$

ASSEMBLY INSTRUCTIONS



OTTOMAN

ASSEMBLY INSTRUCTIONS

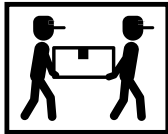
ASSEMBLY TIPS:

- 1. Remove hardware from box and sort by size.
- 2. Please check to see that all hardware and parts are present prior to start of assembly.
- 3. Please follow attached instructions in the same sequence as numbered to assure fast & easy assembly.



WARNING!

- 1. Don't attempt to repair or modify parts that are broken or defective. Please contact the store immediately.
- 2. This product is for home use only and not intended for commercial establishments.



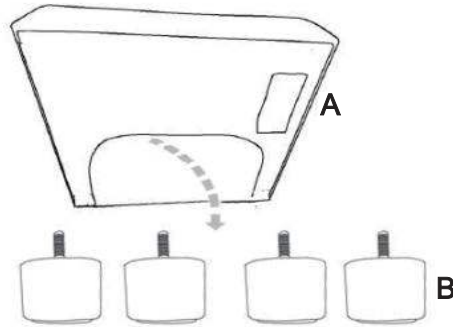
ASSEMBLY TIME **5 MINUTES**

PARTS IDENTIFICATION

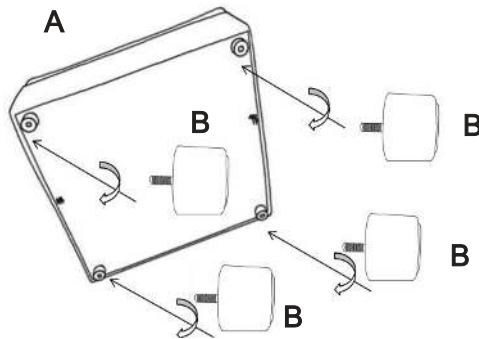
	PART NAME	FIGURE	QUANTITY
A	OTTOMAN		1PC
B	LEG		4PCS

ASSEMBLY INSTRUCTIONS

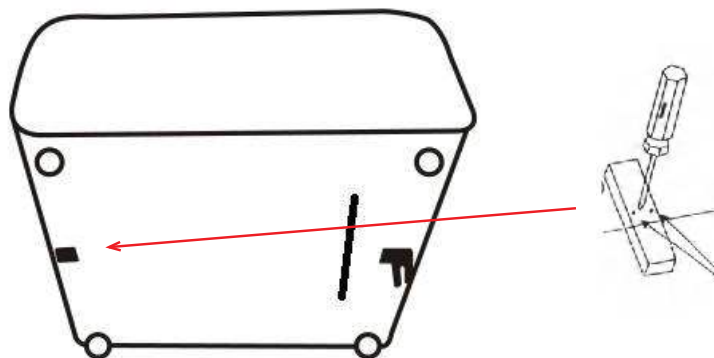
STEP 1 Turn over the item and take out the legs from zippered pouch



STEP 2 Install the legs as pictures show

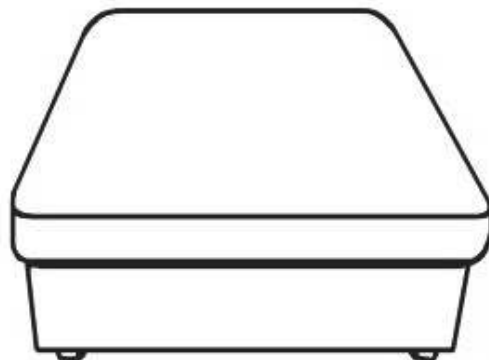


STEP 3 Please remove the wood block with screwdriver,do not use a hammer



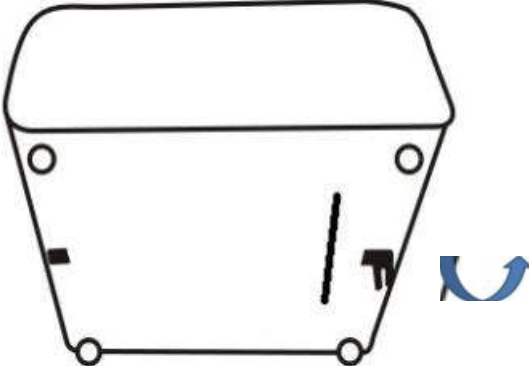
STEP 4

COMPLETE



ASSEMBLY INSTRUCTIONS

STEP 5 Rotate the metal clips

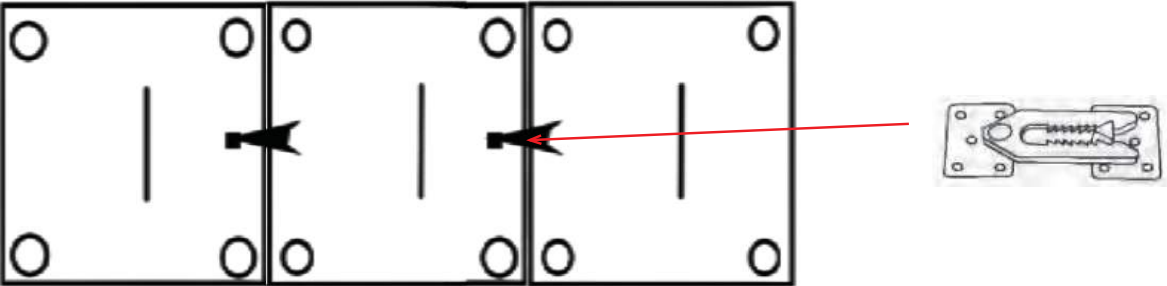


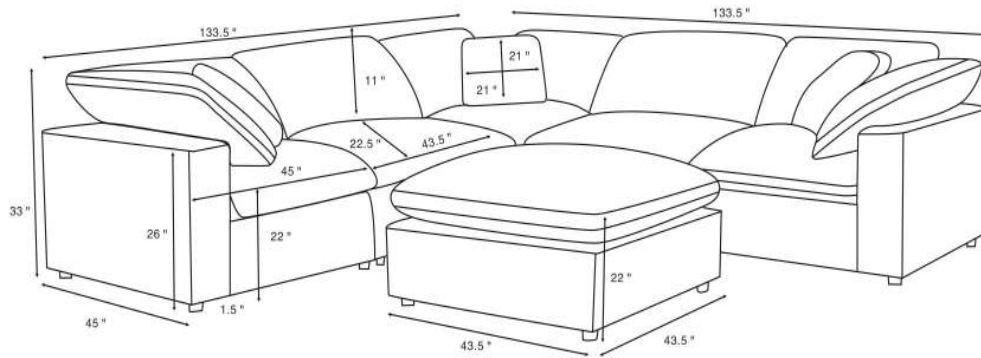
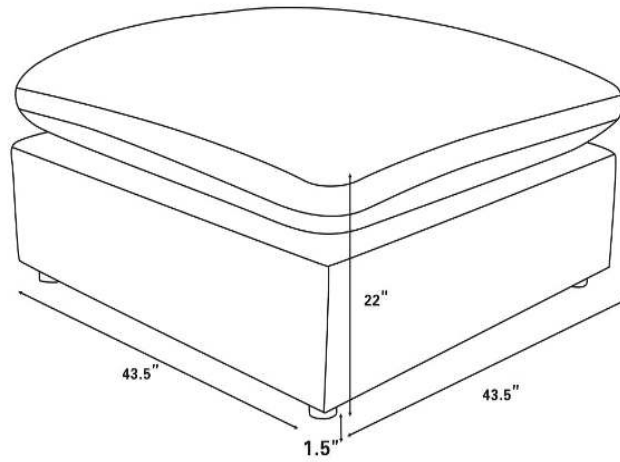
STEP 6 Put the armless chair and corner and ottoman closer

551755 551754 551756



STEP 7 Insert the metal clips to connect other units as pictures show





Note : Dimension tolerance $\pm 5\%$