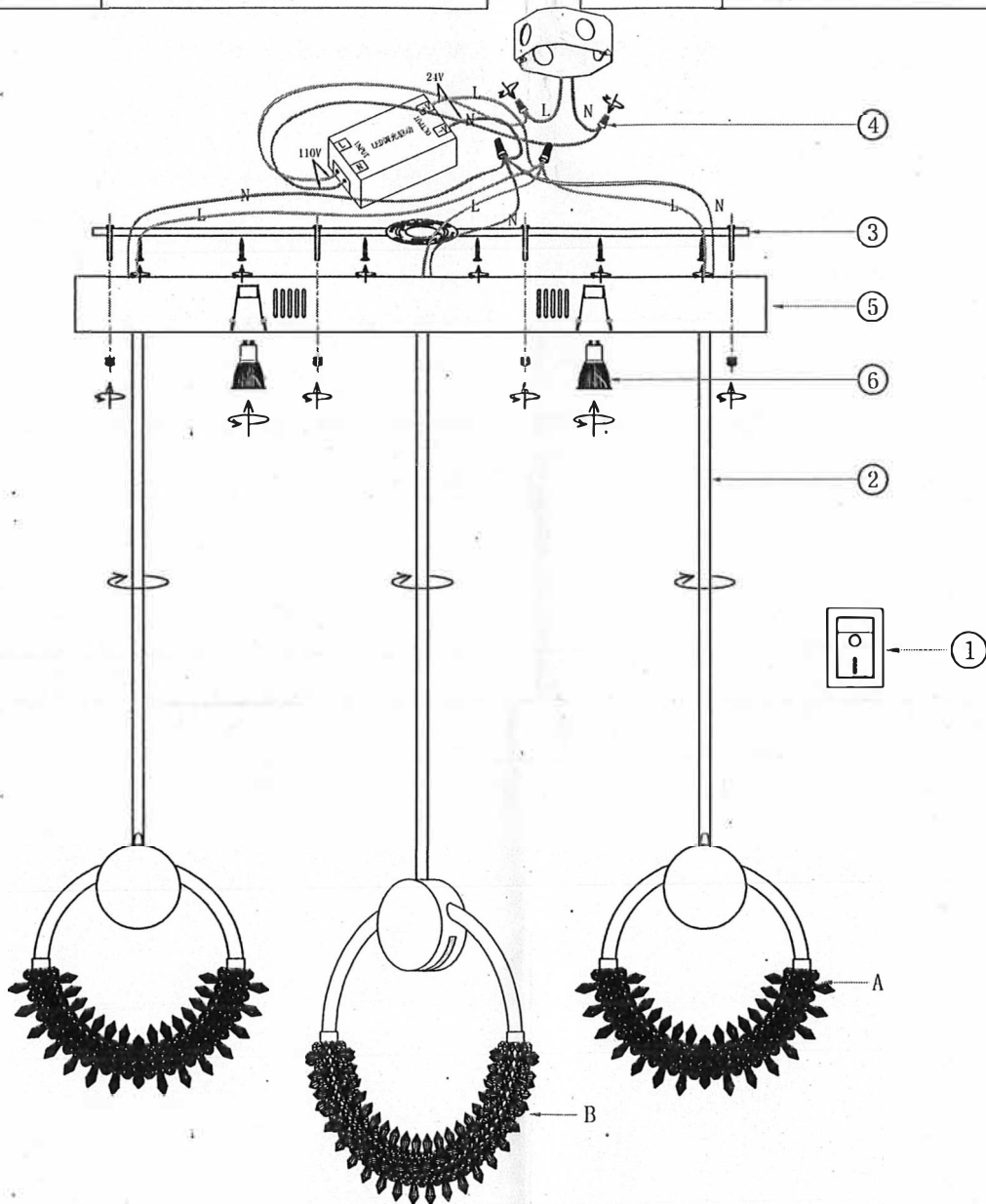


[Specification]

Size	L1000*W280*H1850
------	------------------

Color	GOLD
Power	LED*29W+6W



No.	Specification	Qty
A	D300mm	2
B	D400mm	1

Installation steps:

*Please wear the gloves

1. Turn off the power and wear gloves to install the lights.
2. Install the D10MM pipe , firstly pass through the wire to the pipes
3. Install the bracket to the junction box;
4. connect wire nuts with the 24V output , heat the shrink tubing , then connect the 110V input with P3 wire nuts (L is positive, N is Negative)
5. fix the side screw of the canopy .