

ASSEMBLY INSTRUCTIONS



REVISION 0 : 06/27/2022

SNACK TABLE

PAGE 1 OF 5

ASSEMBLY INSTRUCTIONS

ASSEMBLY TIPS:

1. Remove hardware from box and sort by size.
2. Please check to see that all hardware and parts are present prior to start of assembly.
3. Please follow attached instructions in the same sequence as numbered to assure fast & easy assembly.

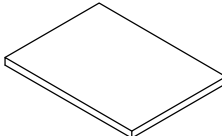
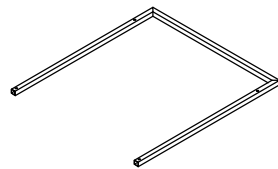

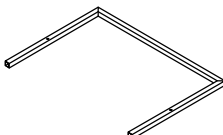


WARNING!


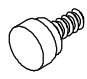
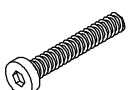


1. Don't attempt to repair or modify parts that are broken or defective. Please contact the store immediately.
2. This product is for home use only and not intended for commercial establishments.

ASSEMBLY TIME 15 MINUTES

PARTS IDENTIFICATION

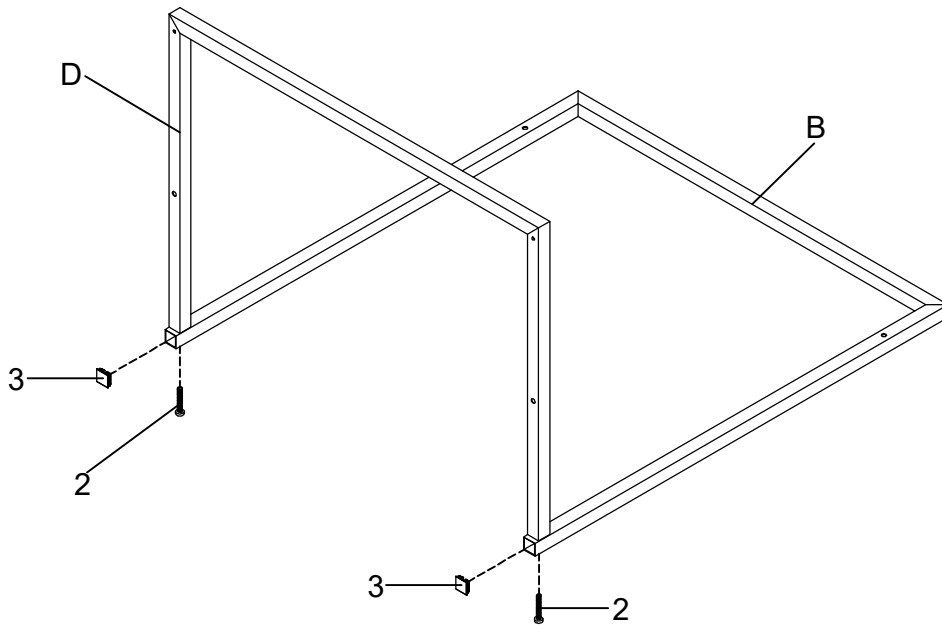
A	TOP PANEL		1PC
B	BACK FRAME		1PC
C	L FRAME		2PCS
D	BOTTOM FRAME		1PC

HARDWARE IDENTIFICATION

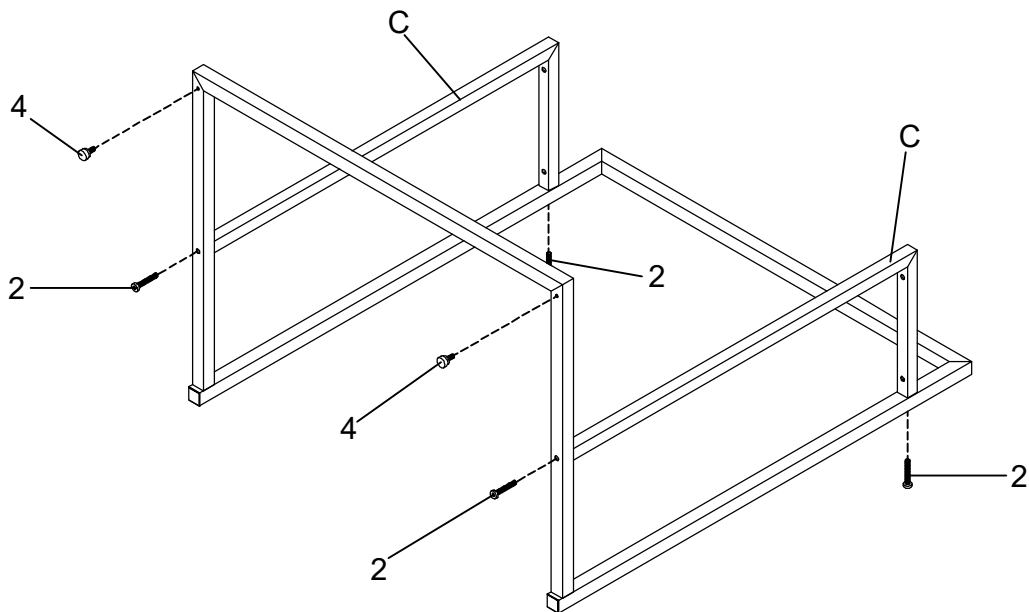
1	BOLT (1/4" x 28mm GD)		4PCS	4	LEVELER (1/4" x 12mm BLK)		2PCS
2	LONG BOLT (1/4" x 38mm GD)		6PCS	5	ALLEN WRENCH (4mm)		1PC
3	CAP (18 x 18mm BLK)		2PCS				

ASSEMBLY INSTRUCTIONS

STEP 1 Do not tighten until each step is completed or instructed.

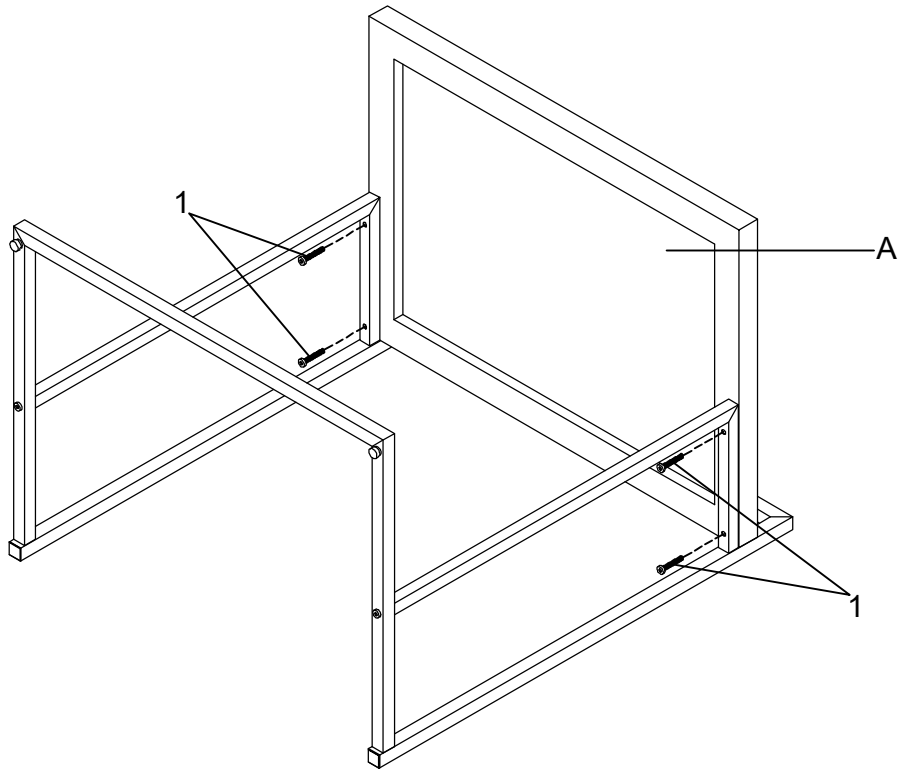


STEP 2

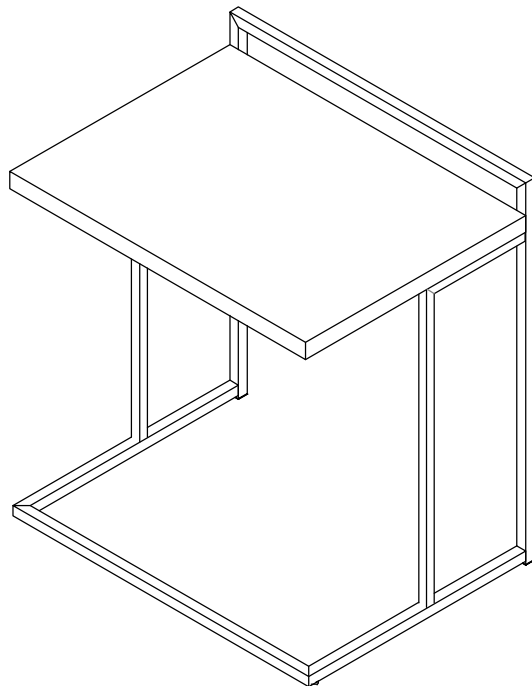


ASSEMBLY INSTRUCTIONS

STEP 3



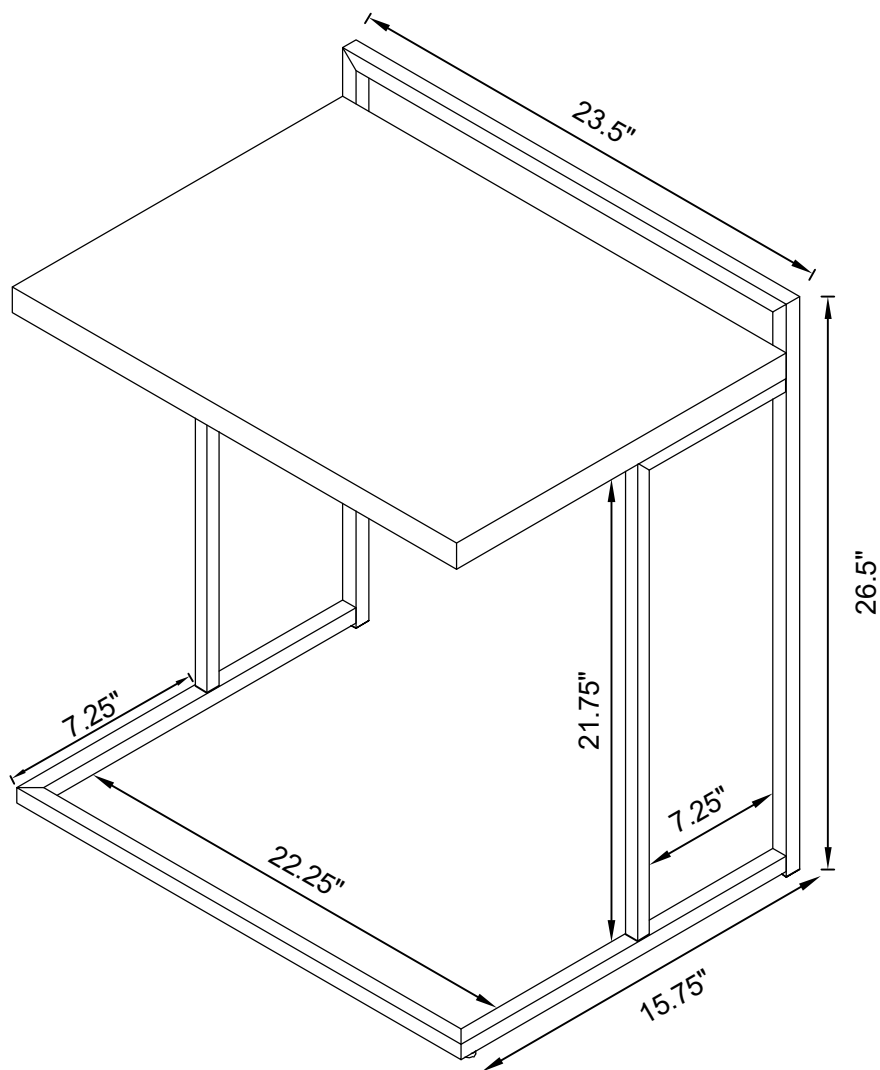
STEP 4 COMPLETE



ASSEMBLY INSTRUCTIONS

Product Size : 597 X 400 X 675 H (MM)

Product Size : 23.5" X 15.75" X 26.5"



Note : Dimension tolerance $\pm 5\%$