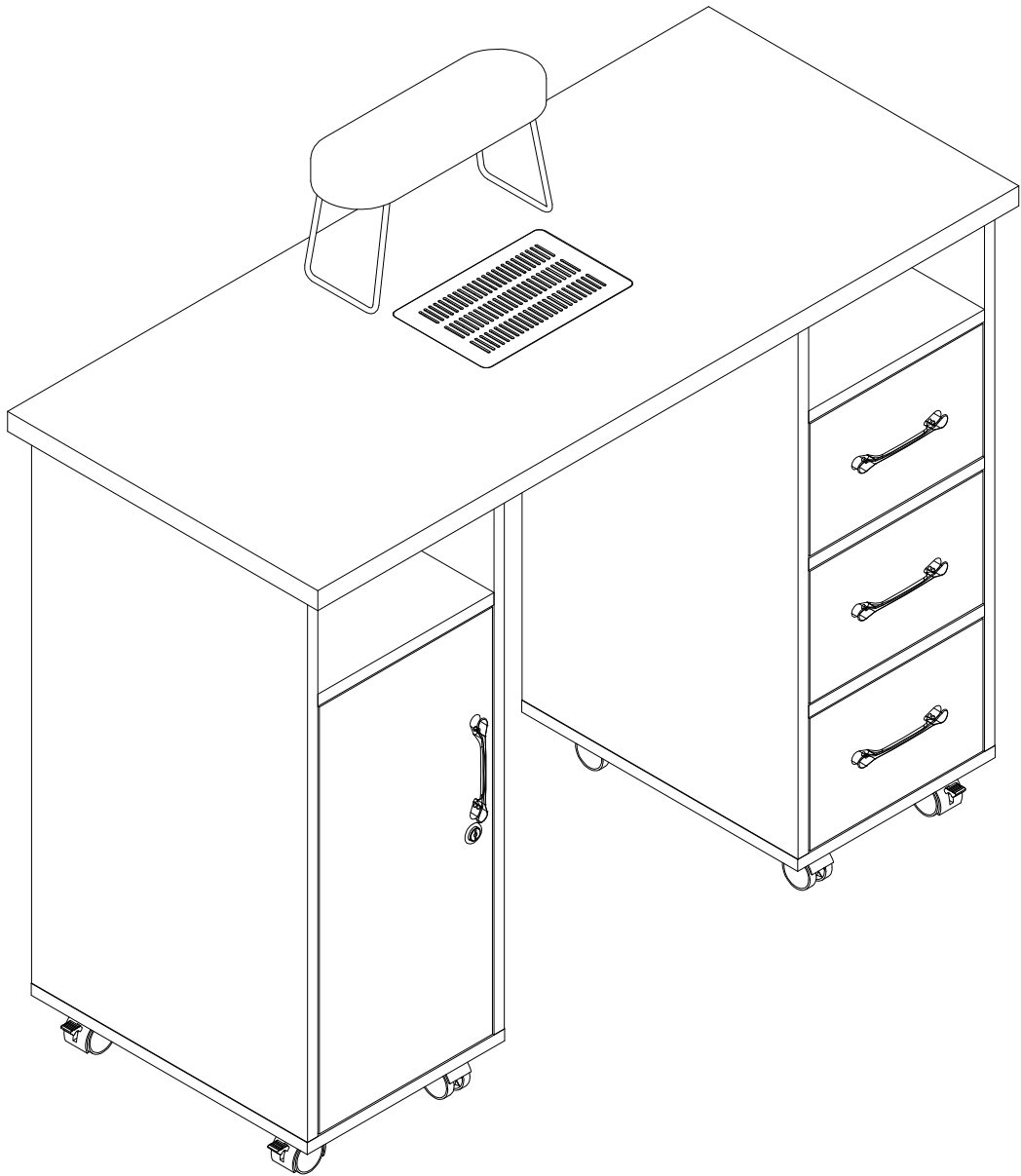
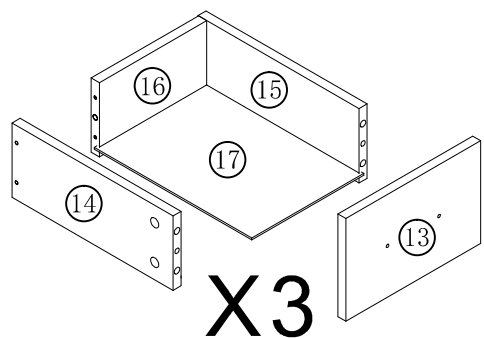
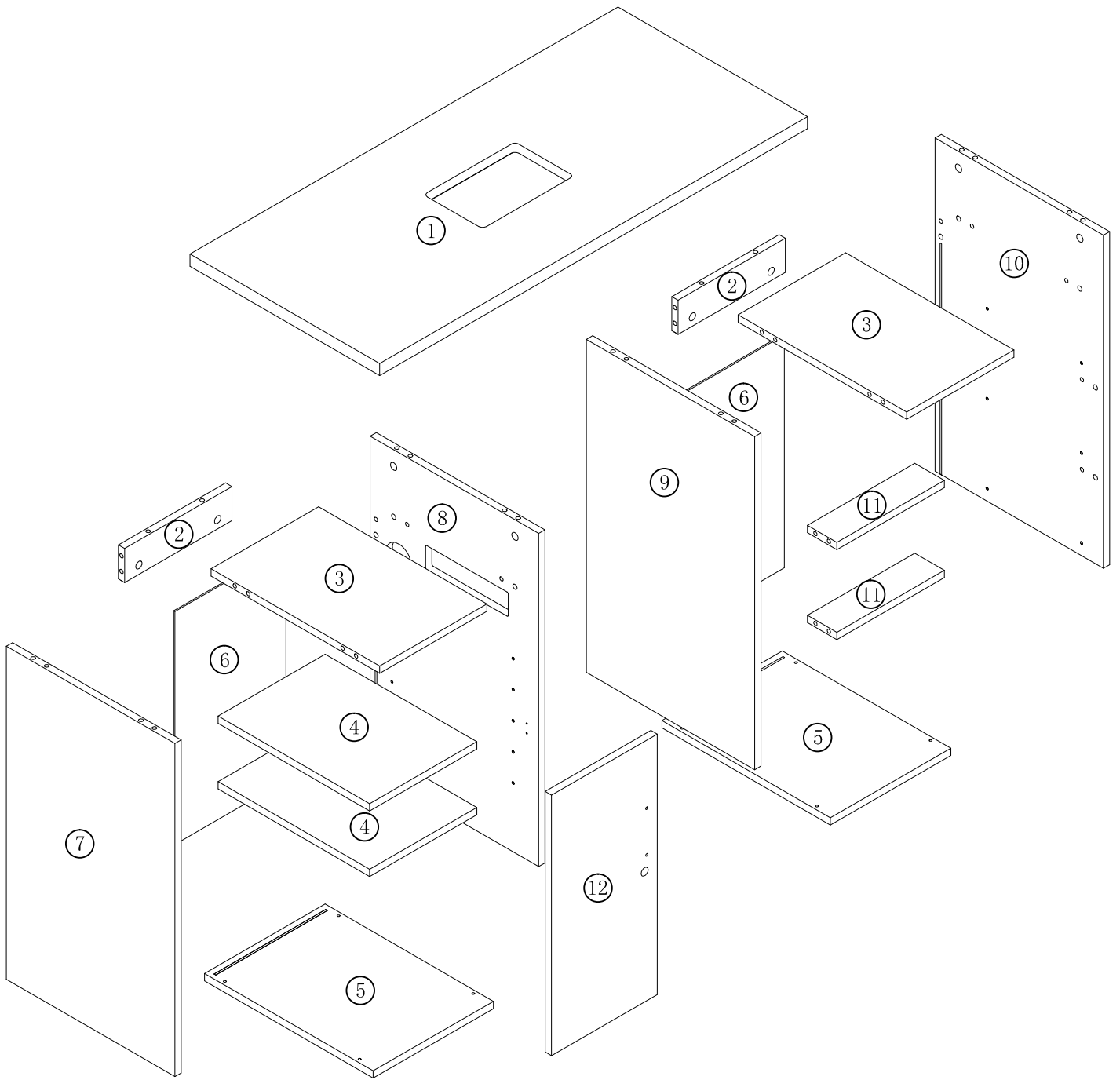







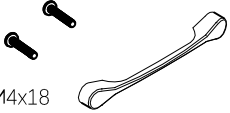
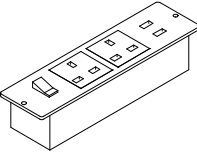

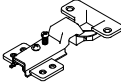

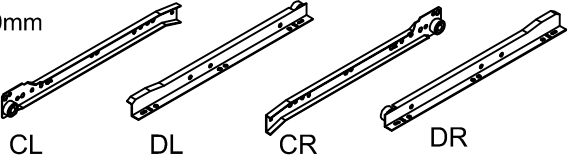

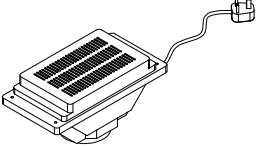


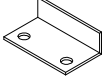
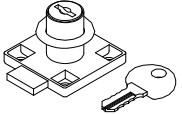
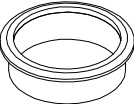

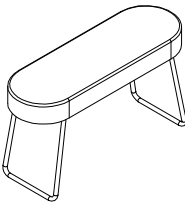


# Installation & Assembly

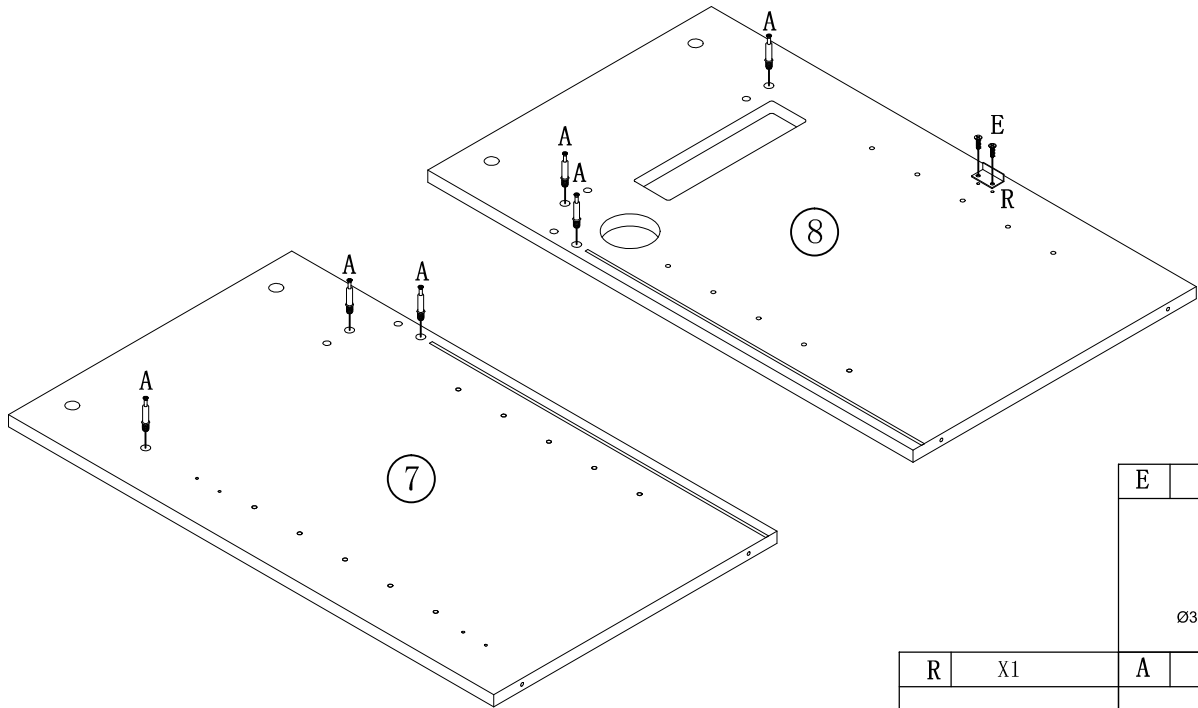







**X3**

<b>A</b>	X36	<b>B</b>	X36	<b>C</b>	X34	<b>D</b>	X12
							
ø6x41mm		ø15x11		ø8x40		M4x35mm	
<b>E</b>	X68	<b>F</b>	X8	<b>G</b>	X4	<b>H</b>	X4
							
Ø3.5×14mm		M5x40		Ø3.5×16mm		M4x18	
<b>I</b>	X1	<b>J</b>	X10	<b>K</b>	X2	<b>L</b>	X36
							
		Ø3×14mm				Ø20	
<b>M</b>	X3			<b>N</b>	X4	<b>O</b>	X1
							
300mm				M4x16mm			
<b>P</b>	X4	<b>Q</b>	X4	<b>R</b>	X1	<b>S</b>	X1
							
<b>T</b>	X1	<b>U</b>	X8	<b>V</b>	X1		
							
Ø60							

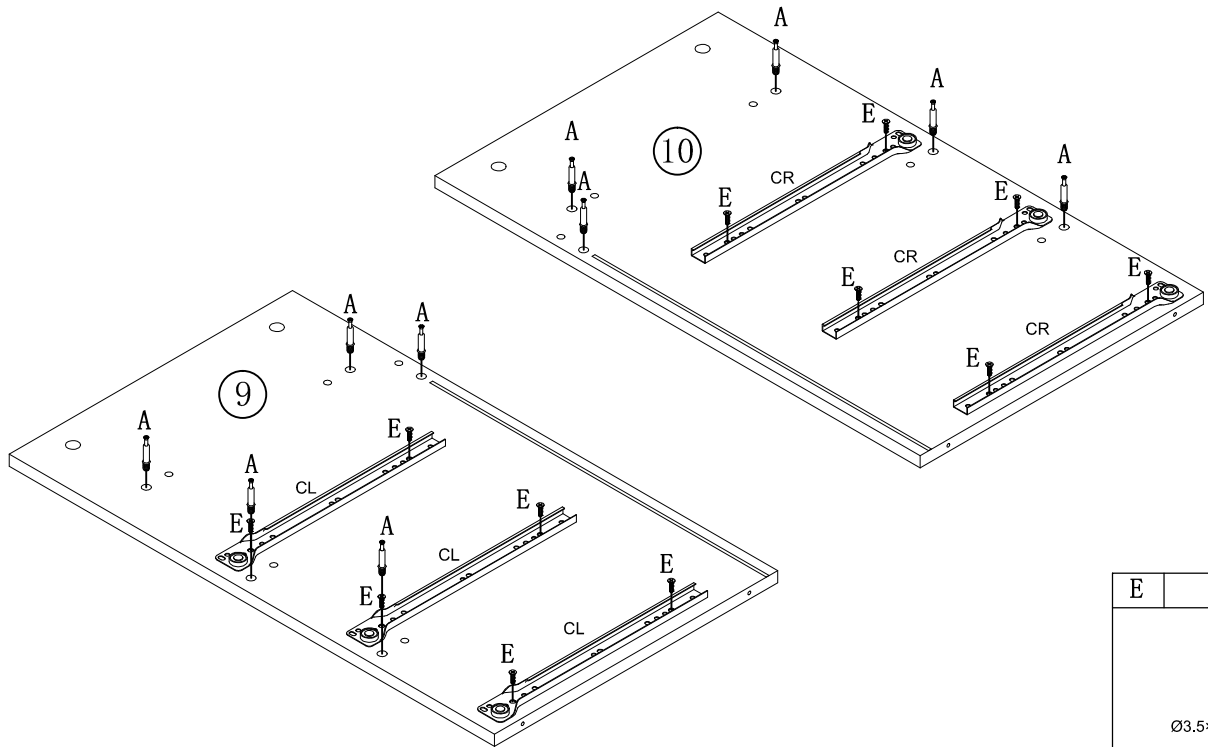
# 1






E	X2
 Ø3.5×14mm	

R	X1	A	X6
		 Ø6×41mm	

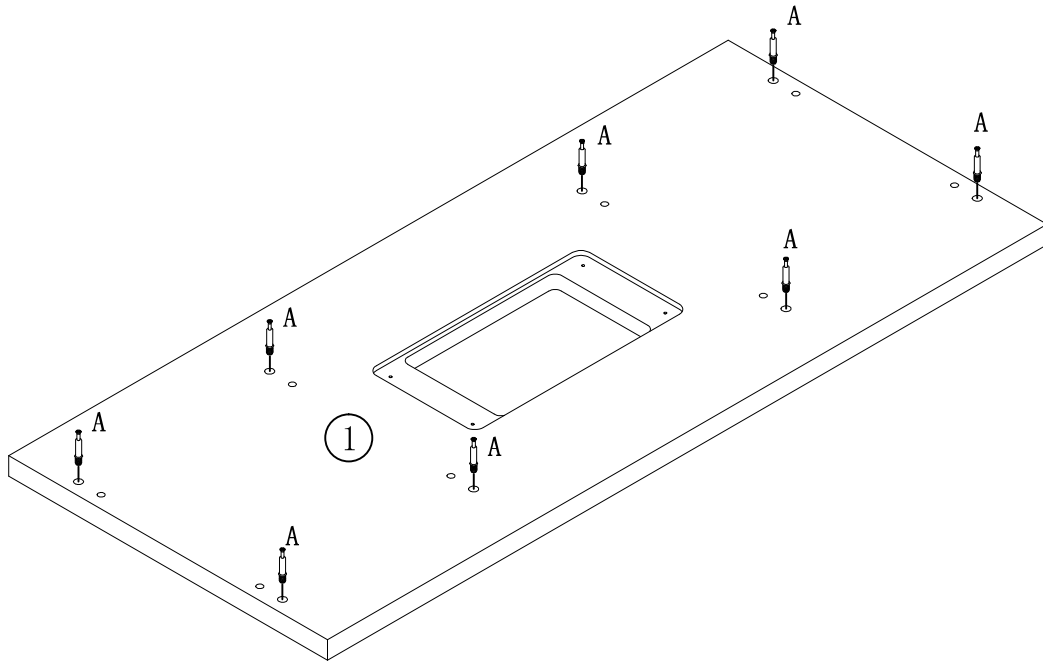
# 2




E	X12
 Ø3.5×14mm	

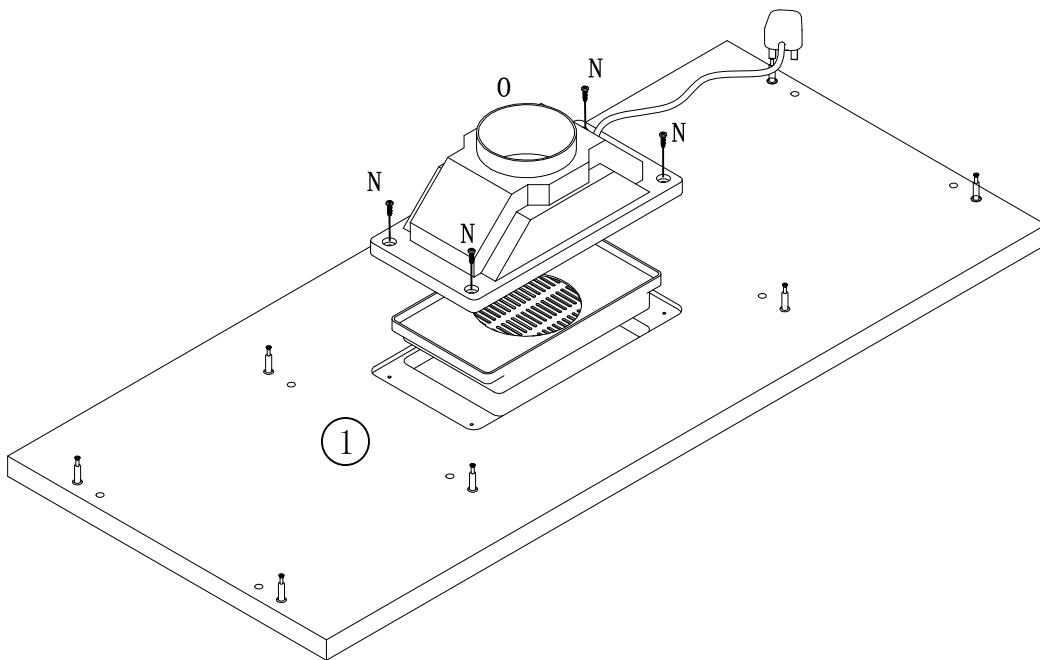
M	X3	A	X10
 CL CR		 Ø6×41mm	


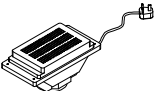
# 3



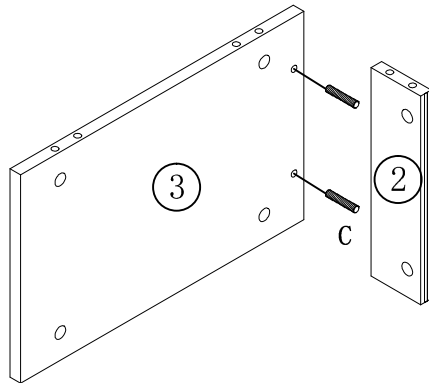
A	X8
	
Ø6x41mm	

# 4




N	X4	O	X1
			
M4x16mm			

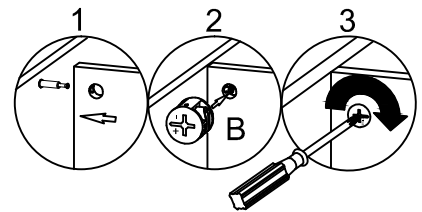
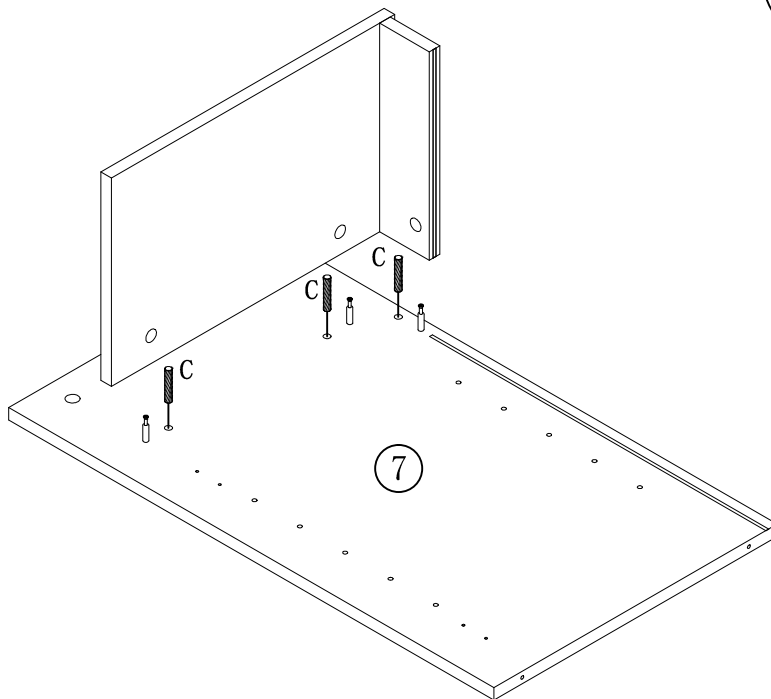
# 5





## X 2

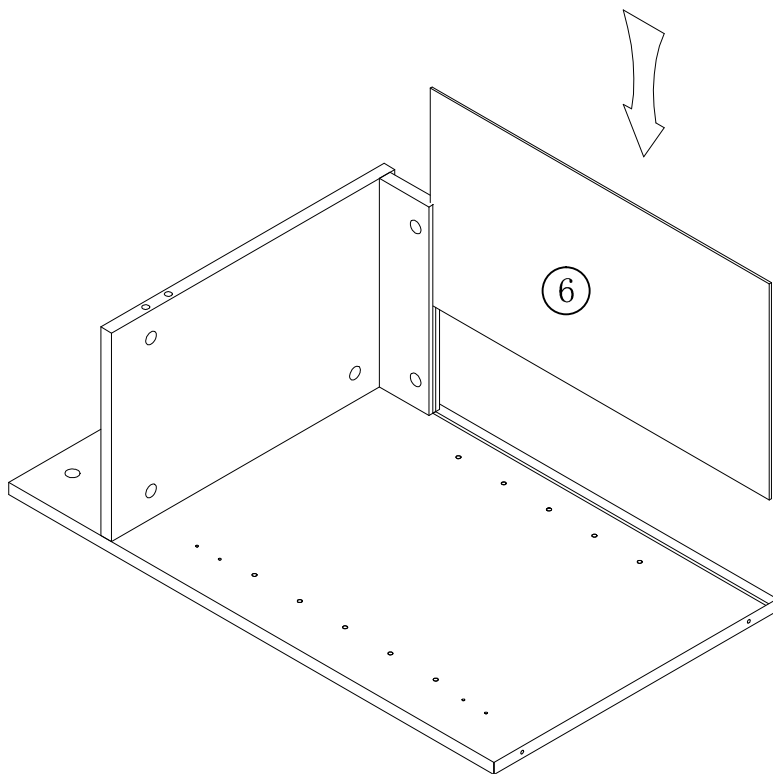
C	X4
 ø8x40	

# 6

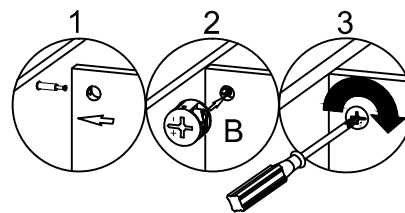
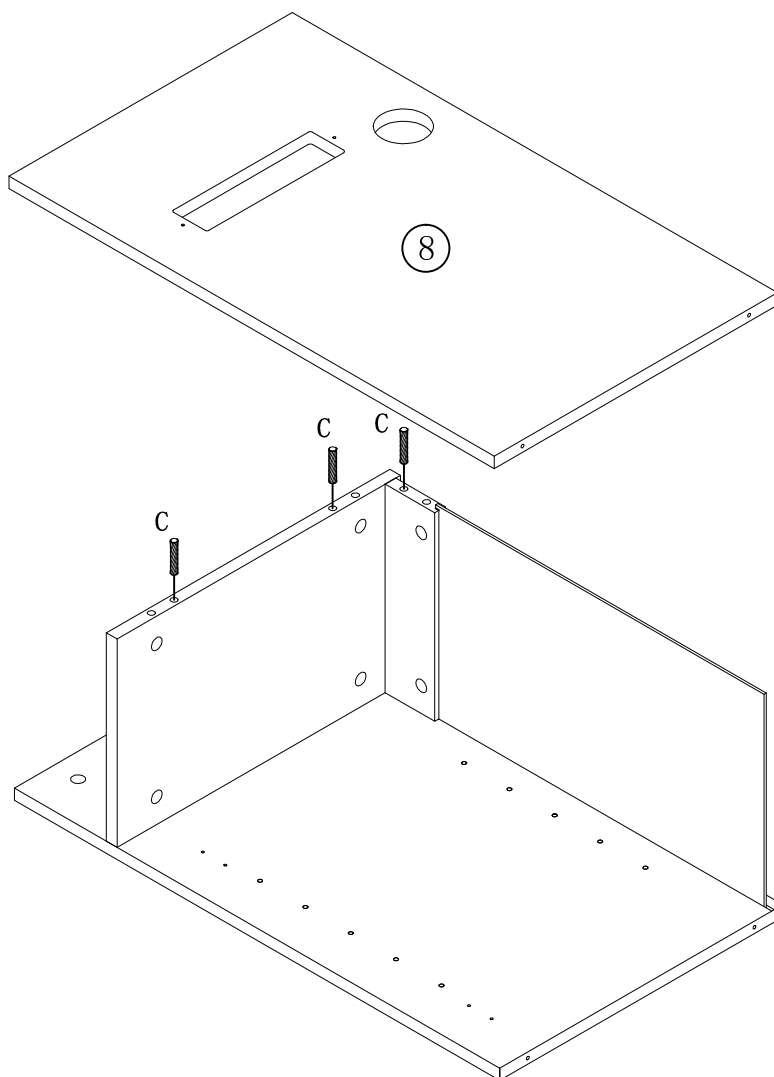




B	X3	C	X3
 ø15x11		 ø8x40	

# 7

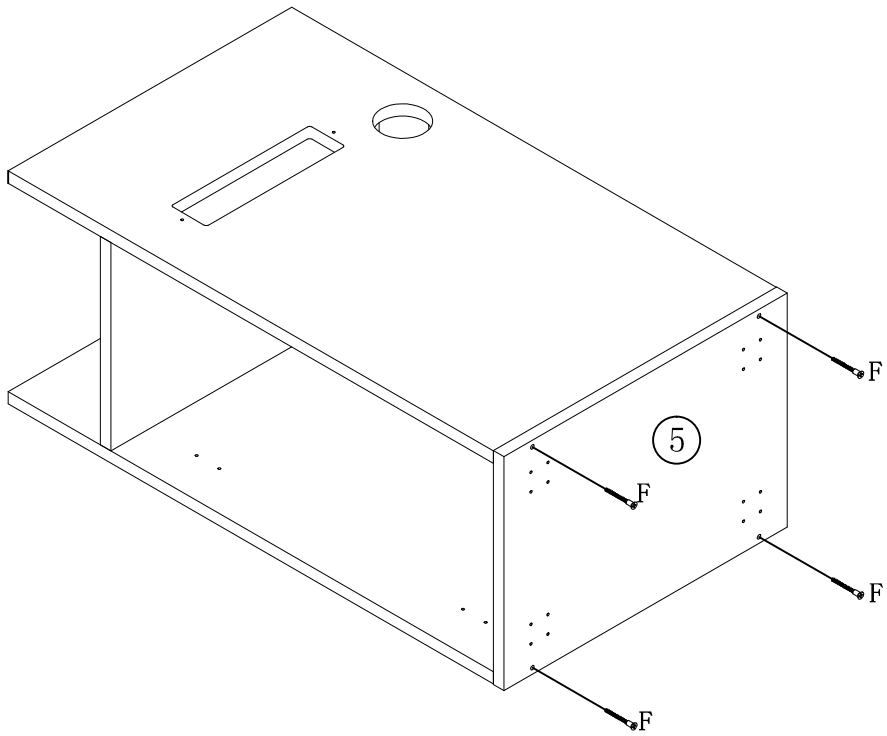



# 8



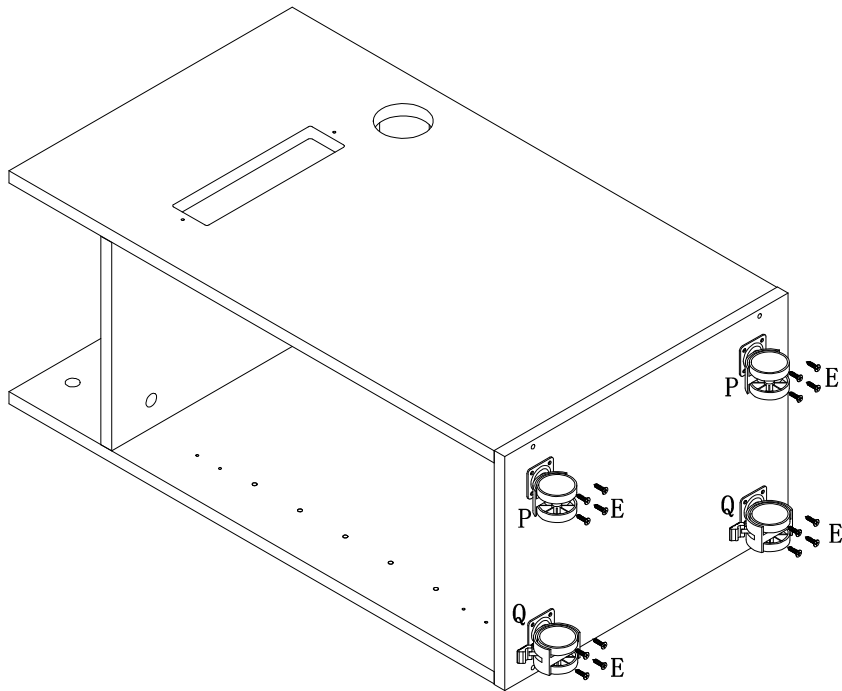
B	X3
 Ø15x11	
C	X3
 Ø8x40	




# 9



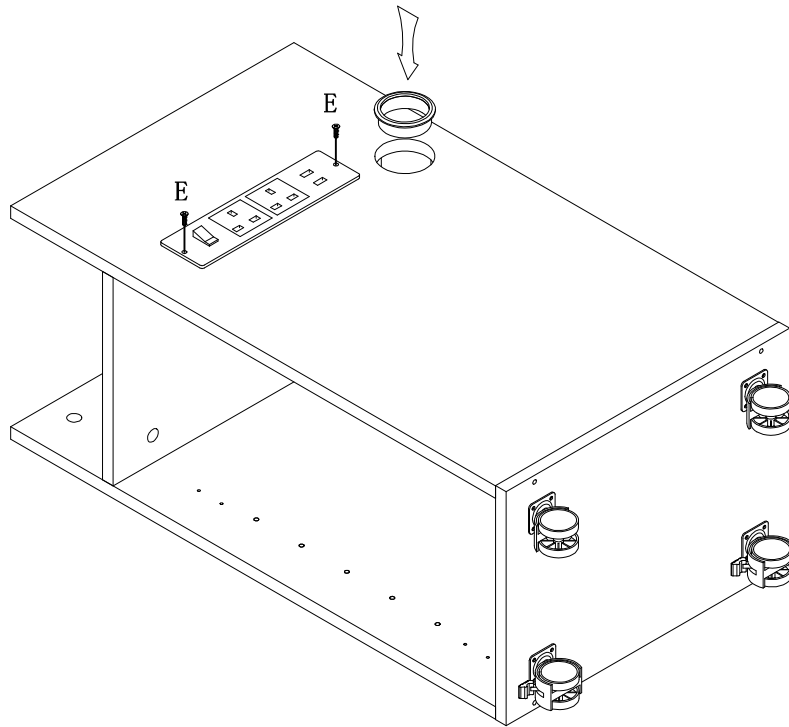
F	X4
 M5x40	


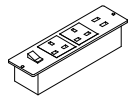
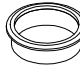
# 10



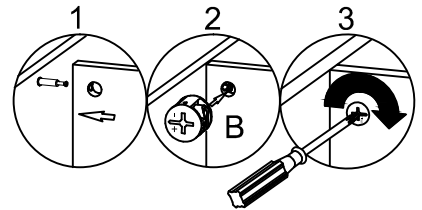
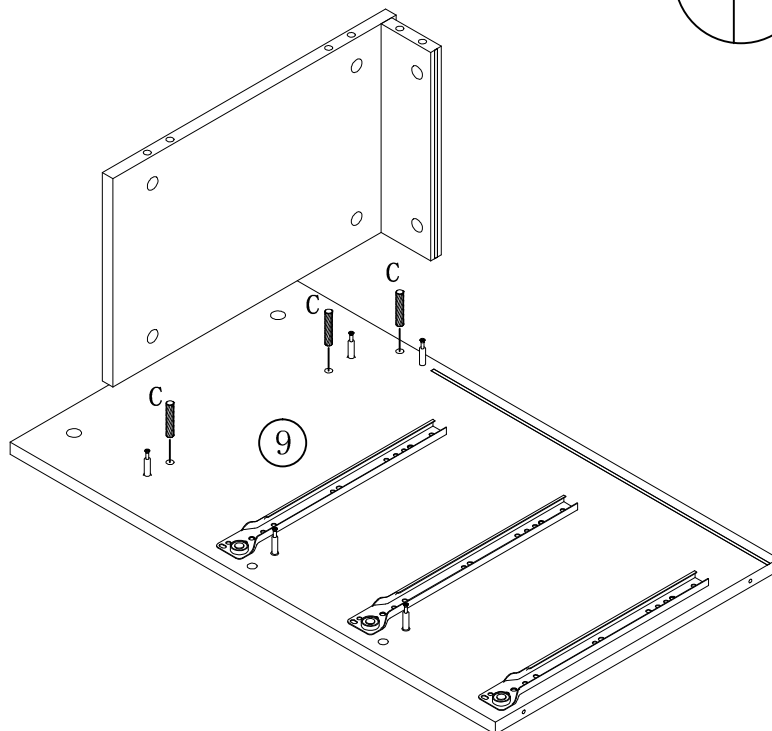
E	X16
 Ø3.5x14mm	
P	X2
	
Q	X2
	


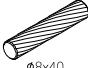
# 11



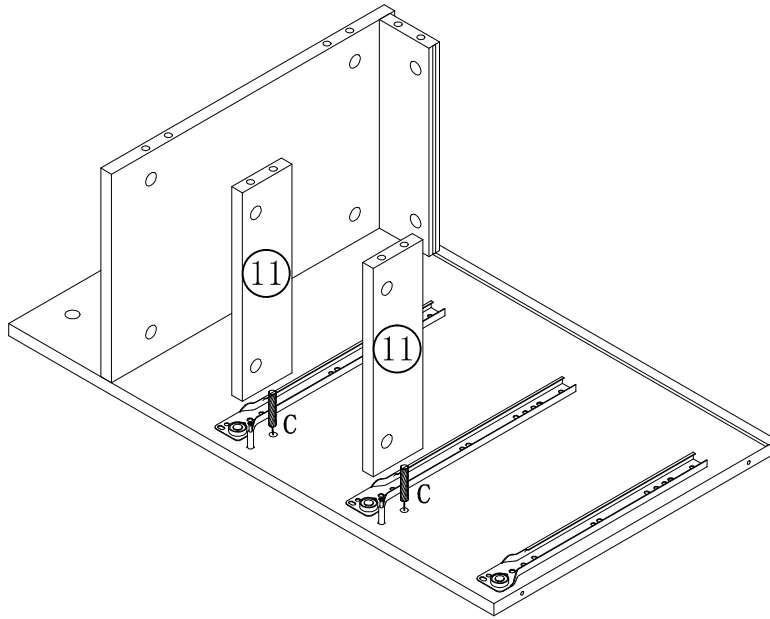
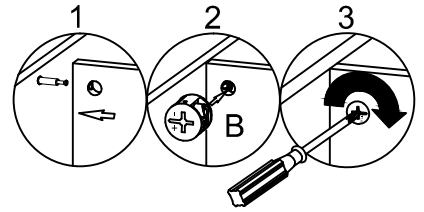
E	X2
 Ø3.5×14mm	
I	X1
	
T	X1
 Ø60	


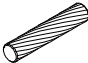
# 12



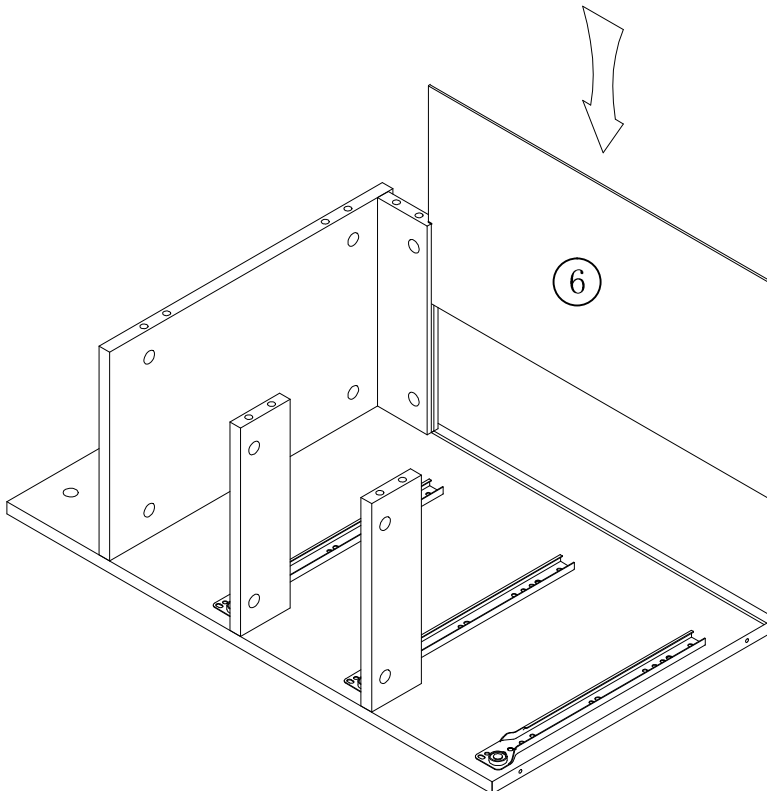
B	X3
 Ø15×11	
C	X3
 Ø8×40	

# 13

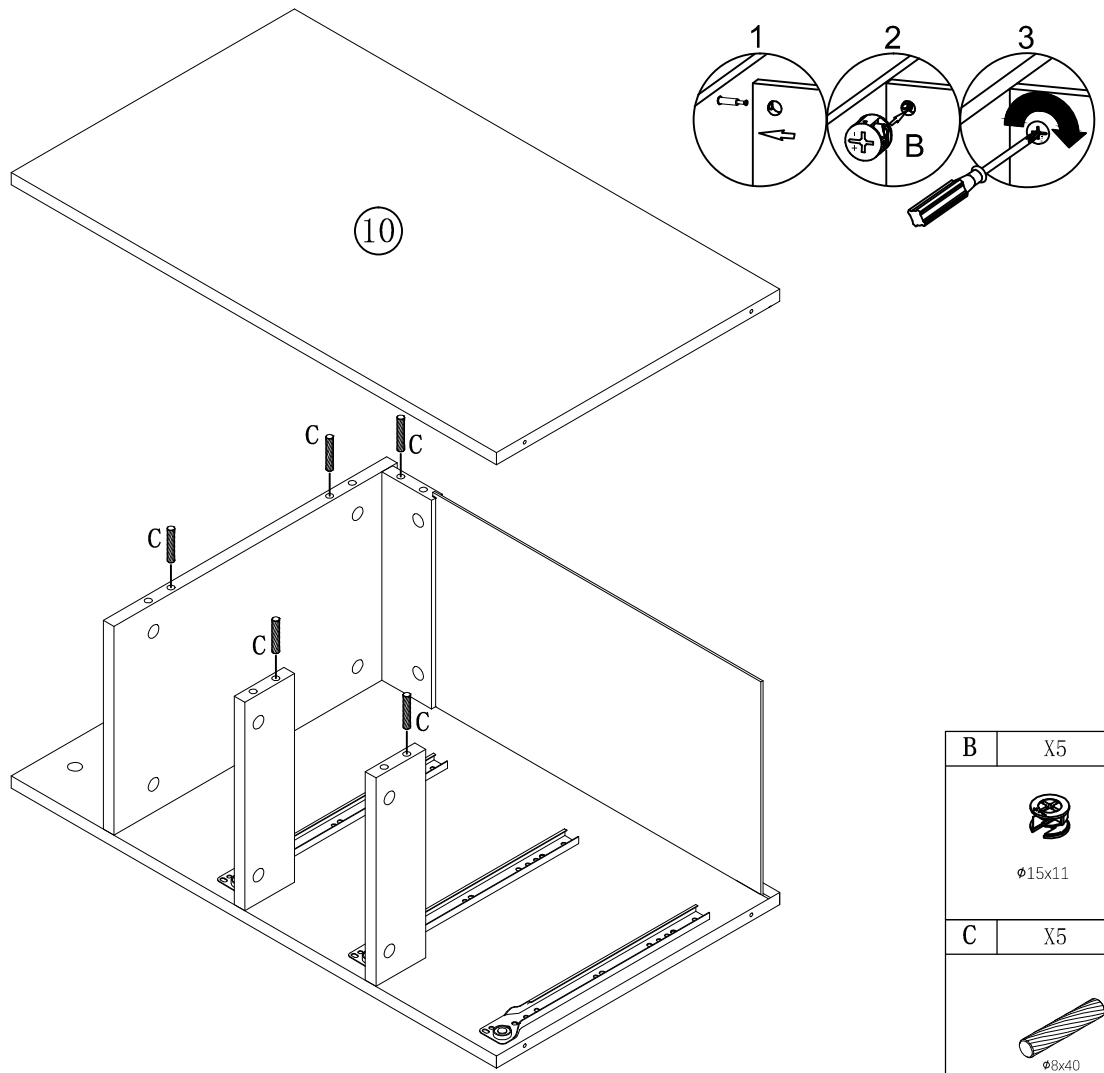


B	X2
	
	Ø15x11
C	X2
	
	Ø8x40

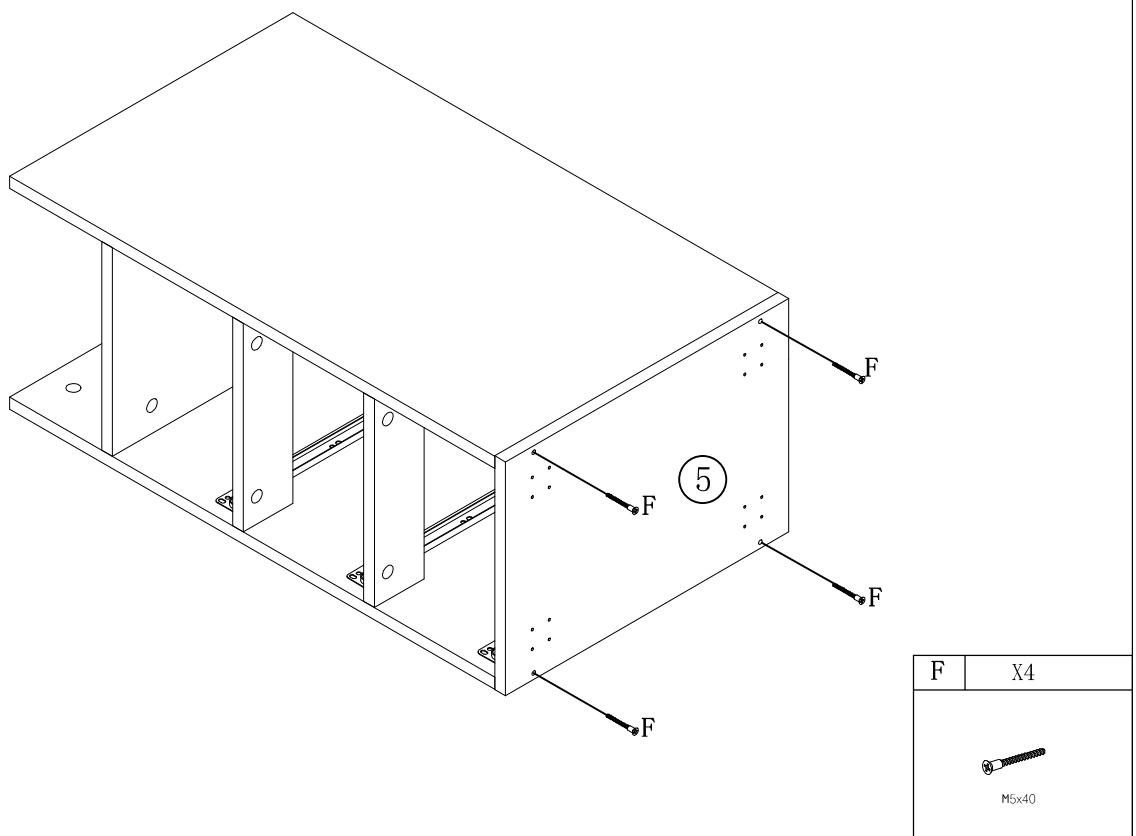
# 14



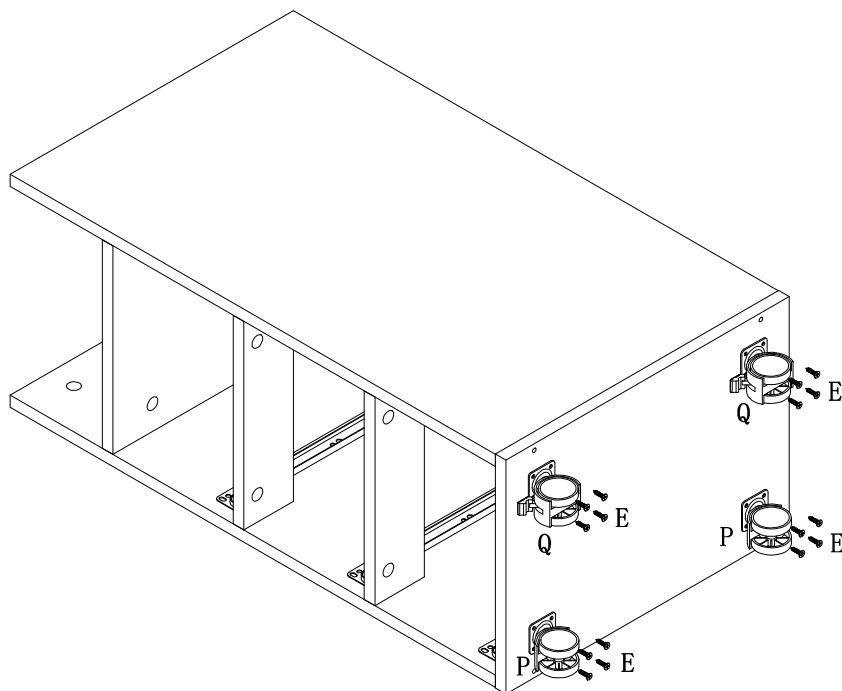
# 15






# 16

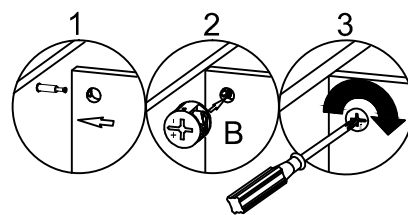
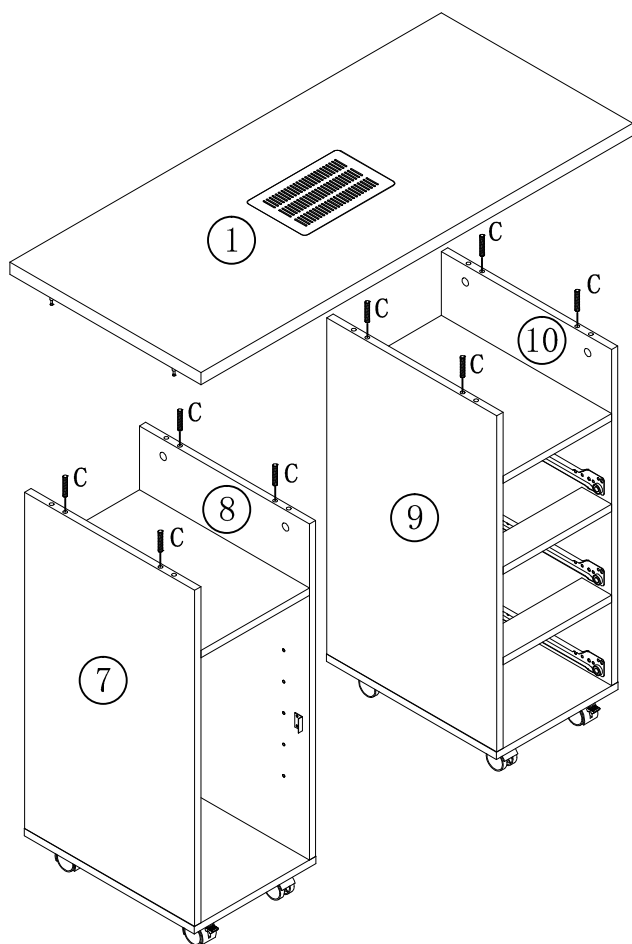




# 17



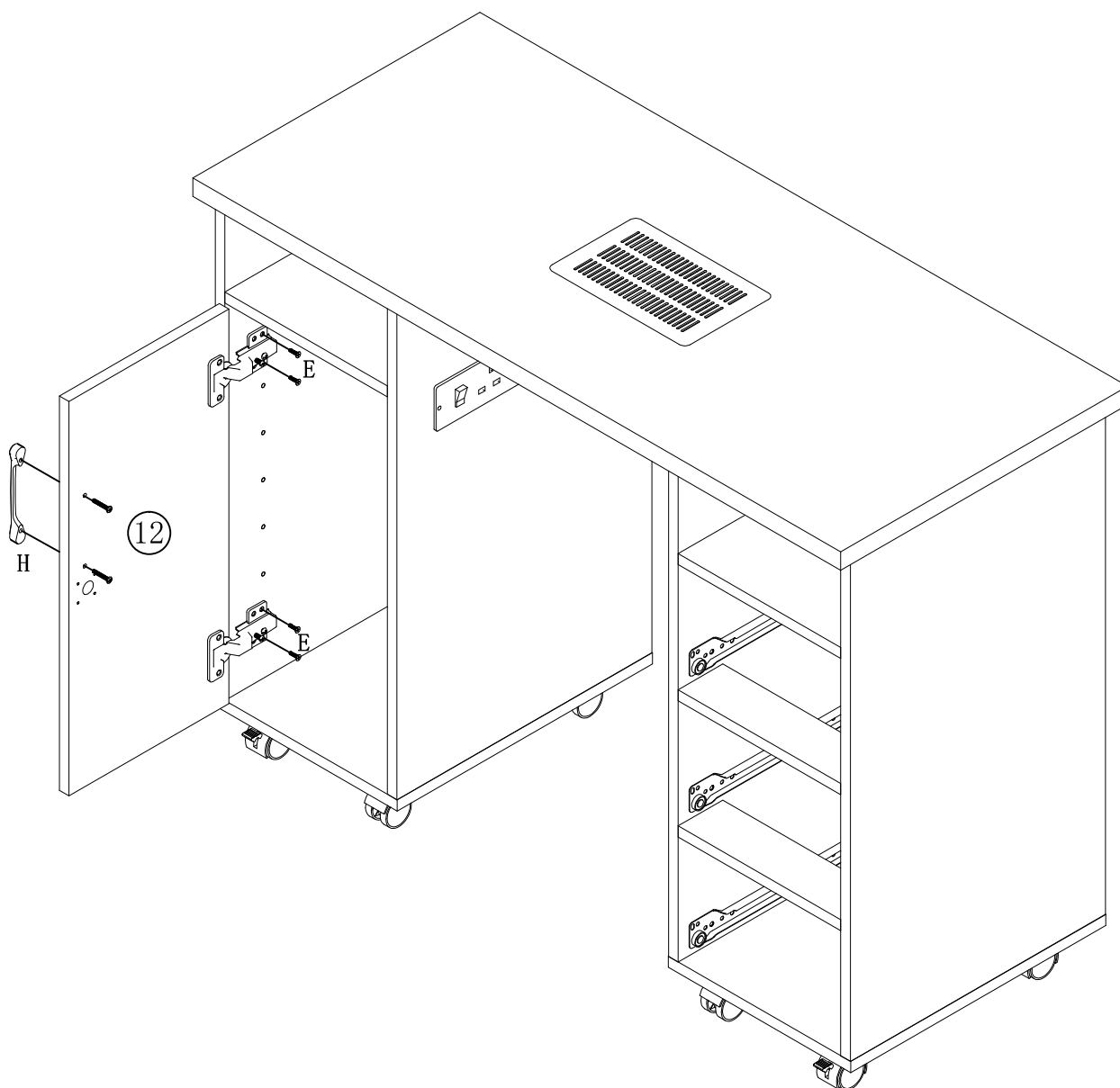
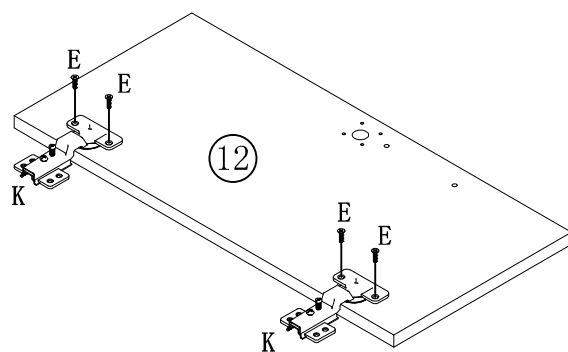
E	X16
 $\text{Ø}3.5 \times 14\text{mm}$	
P	X2
	
Q	X2
	




# 18

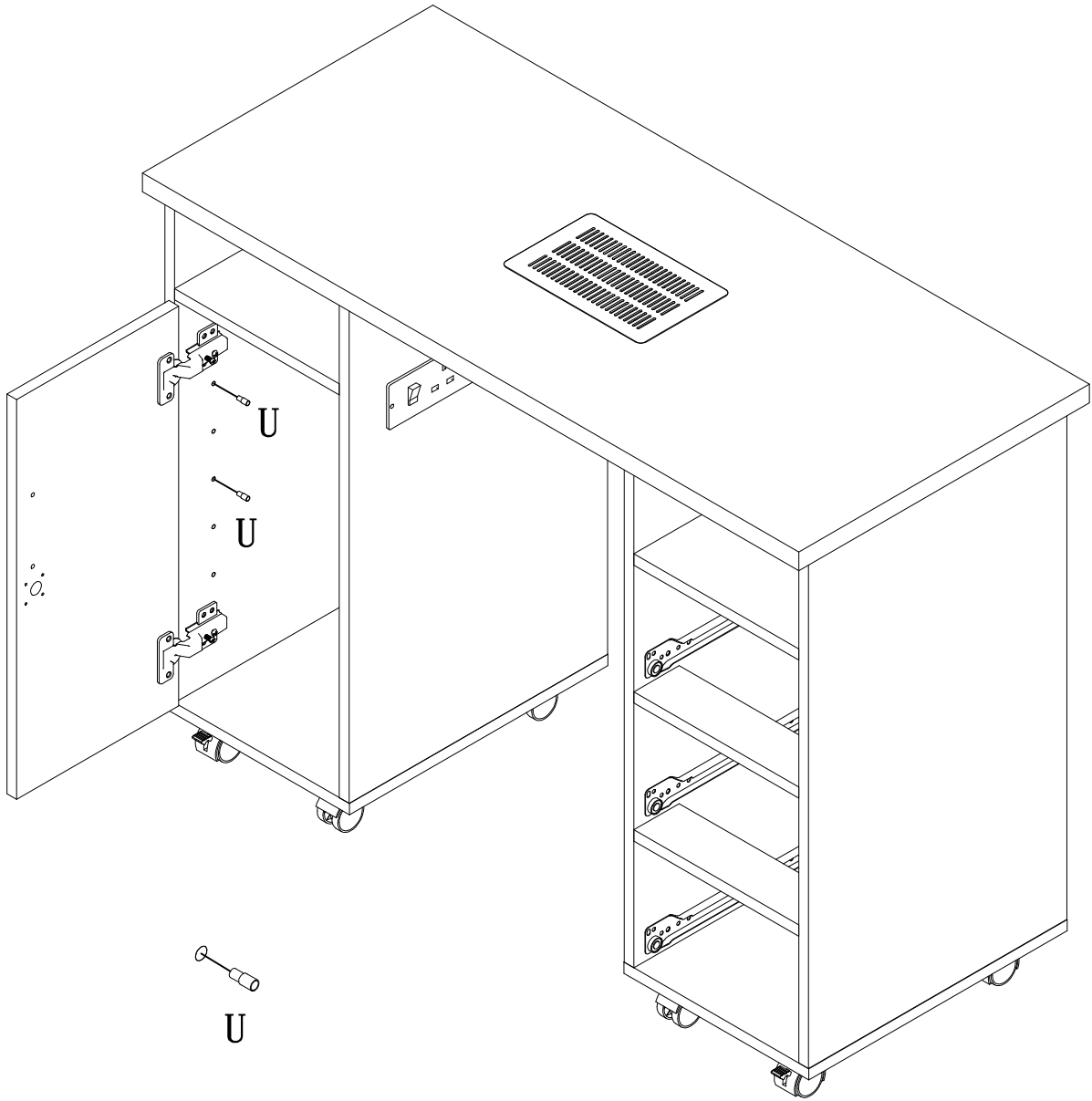



B	X8
 $\text{Ø}15 \times 11$	
C	X8
 $\text{Ø}8 \times 40$	

# 19

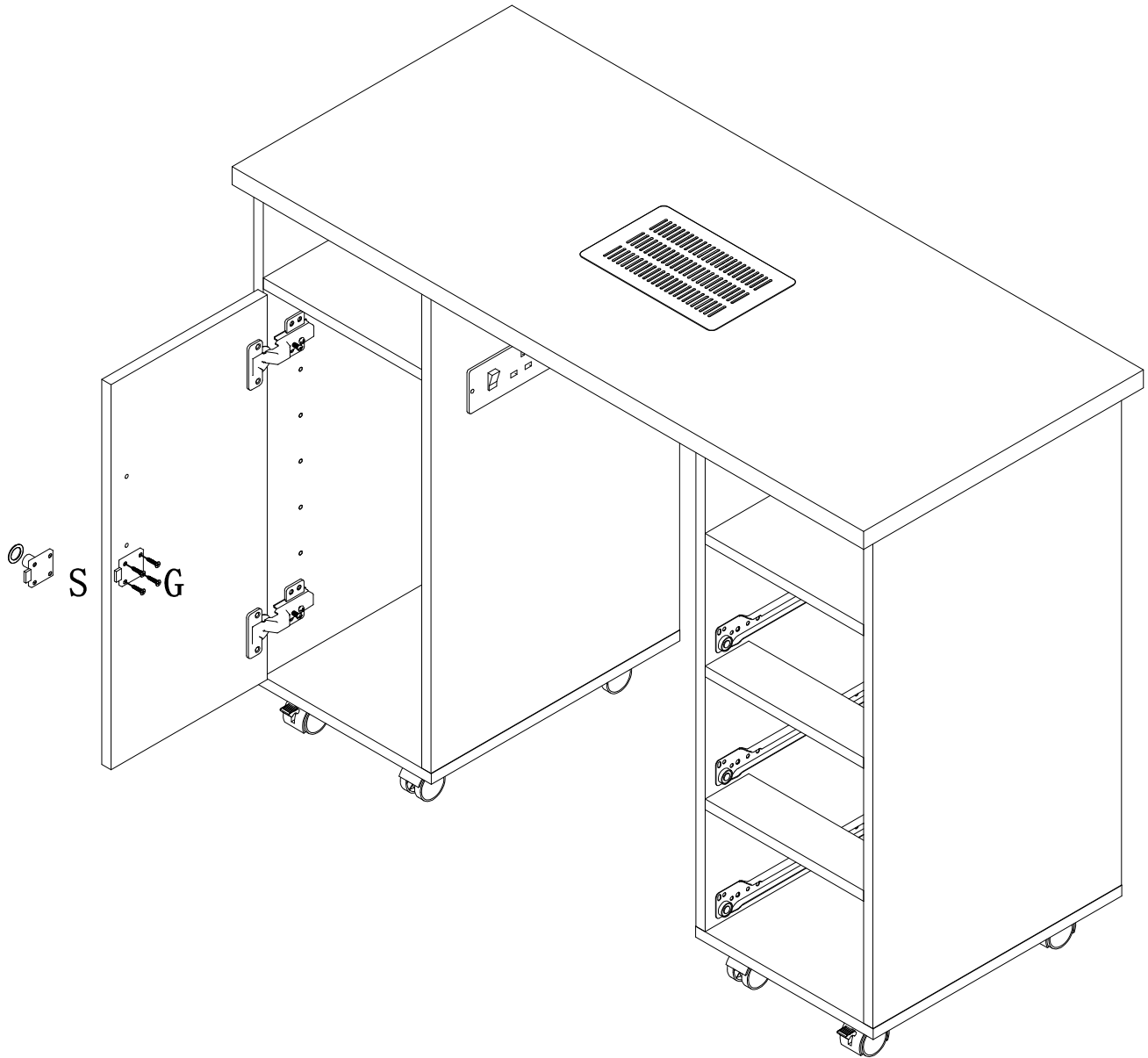



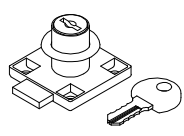
K	X2	E	X8	H	X1
			Ø3.5×14mm		

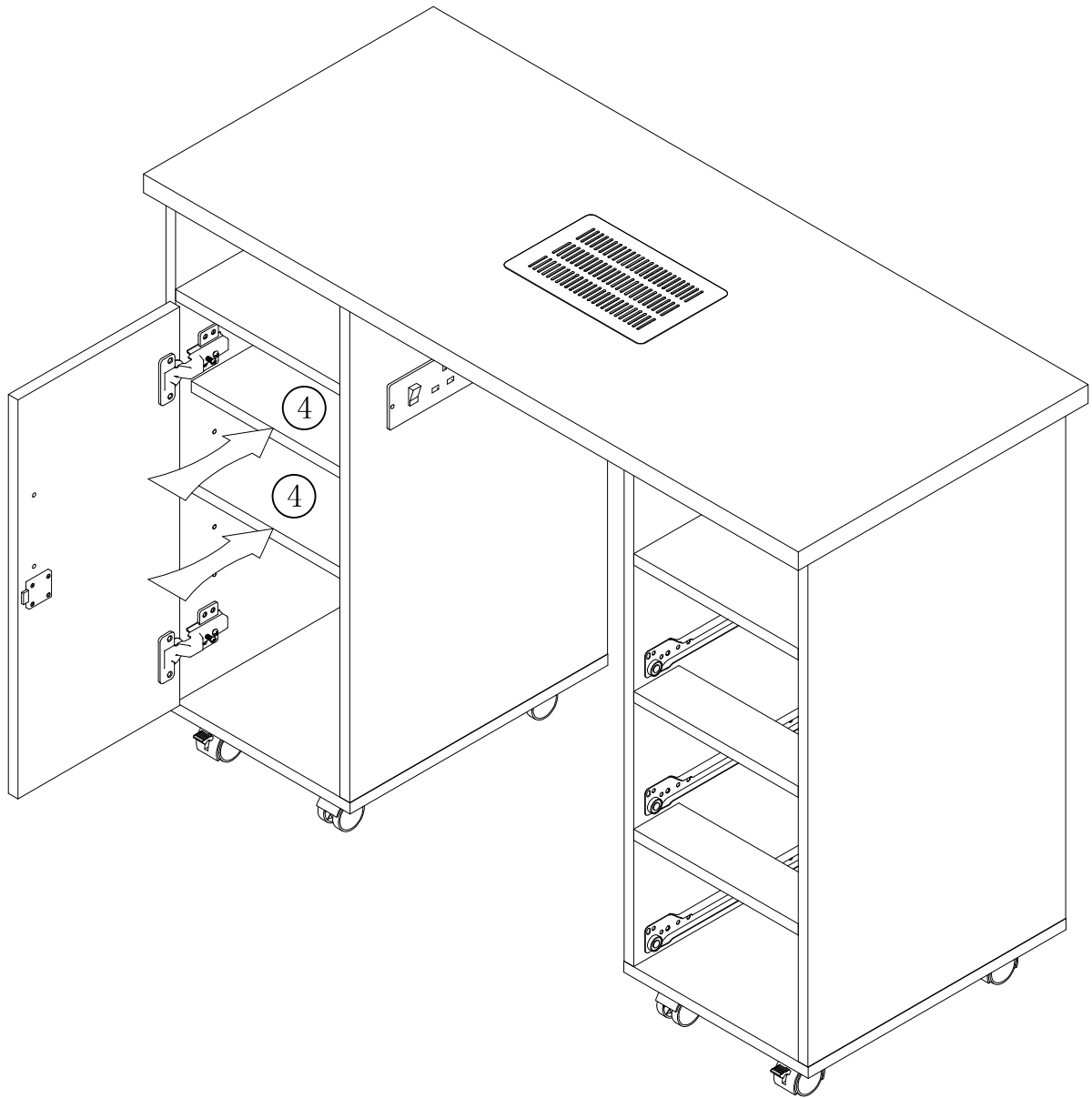


U	X8
	

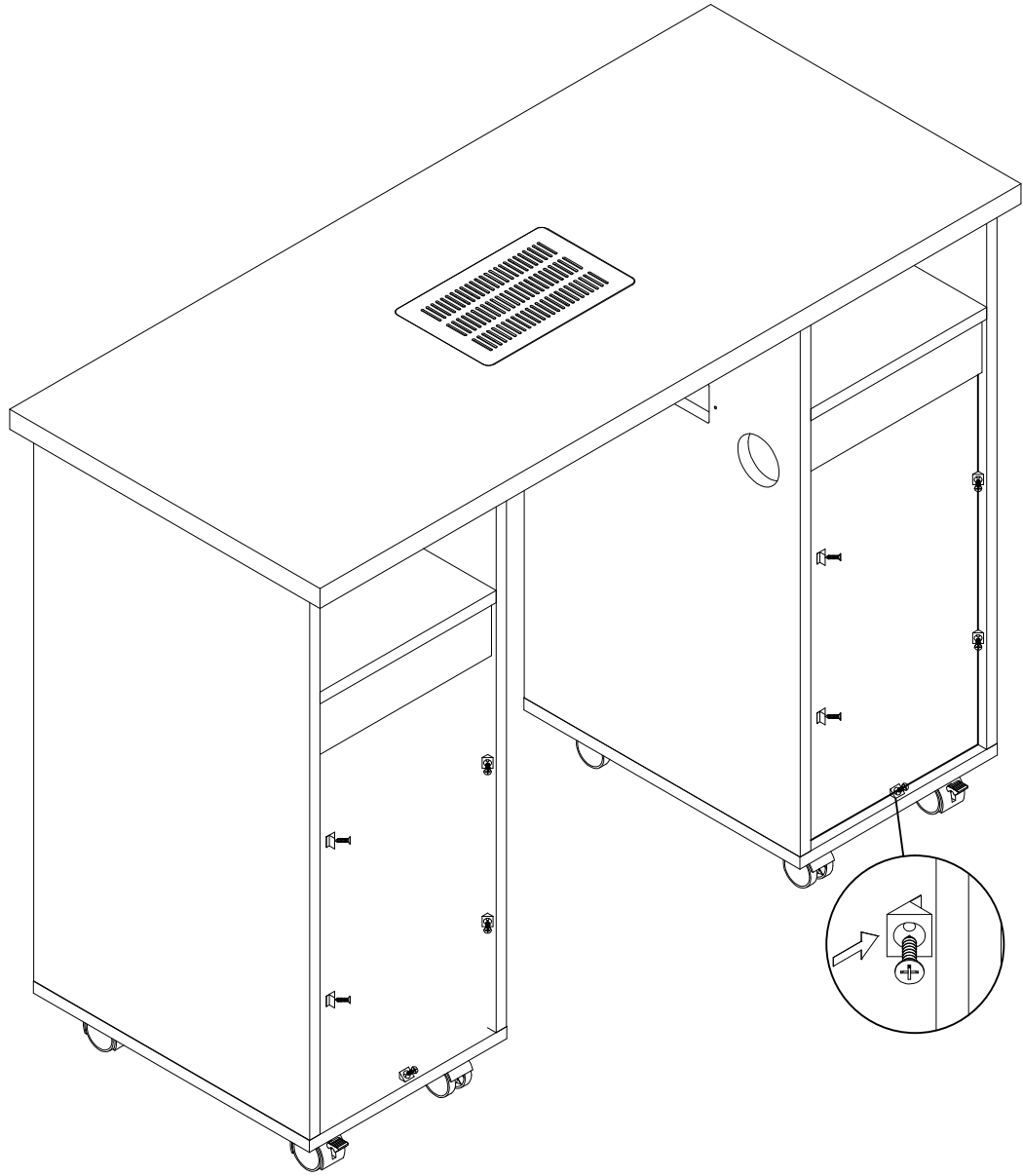
# 21



G	X4	S	X1
 Ø3.5×16mm			



# 23



J

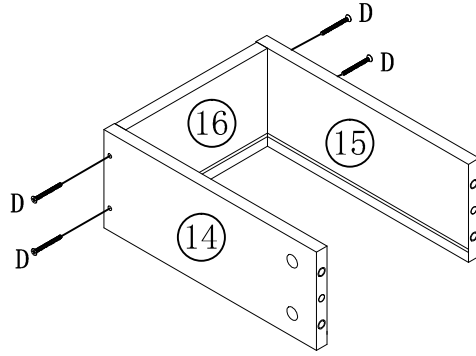
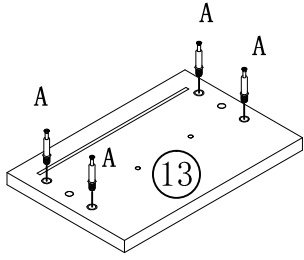
X10



Ø3×14mm

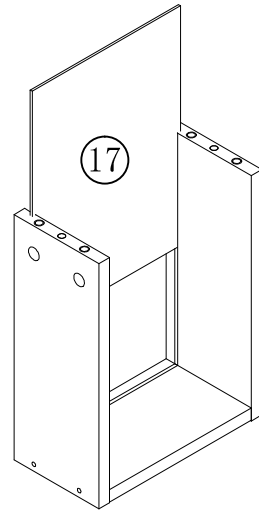
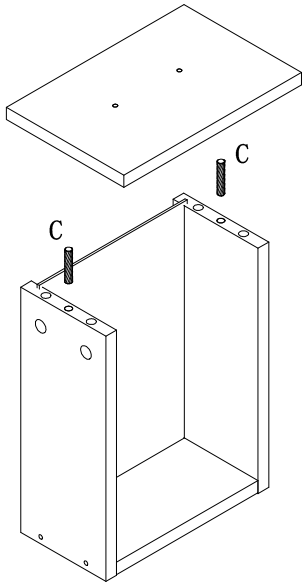
# 24

X3



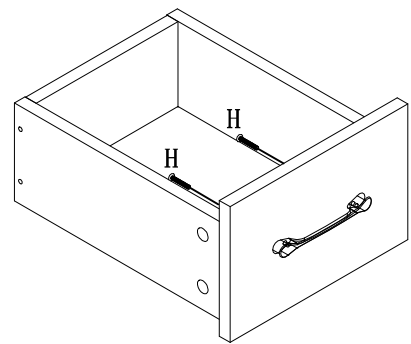
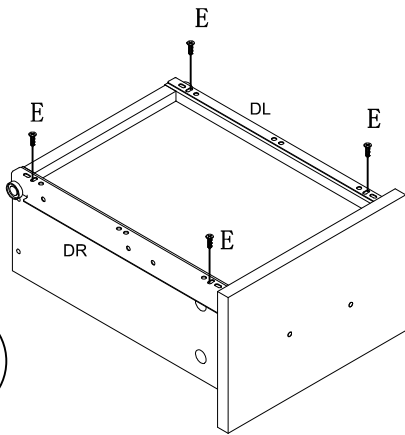
X3

X3



X3

X3

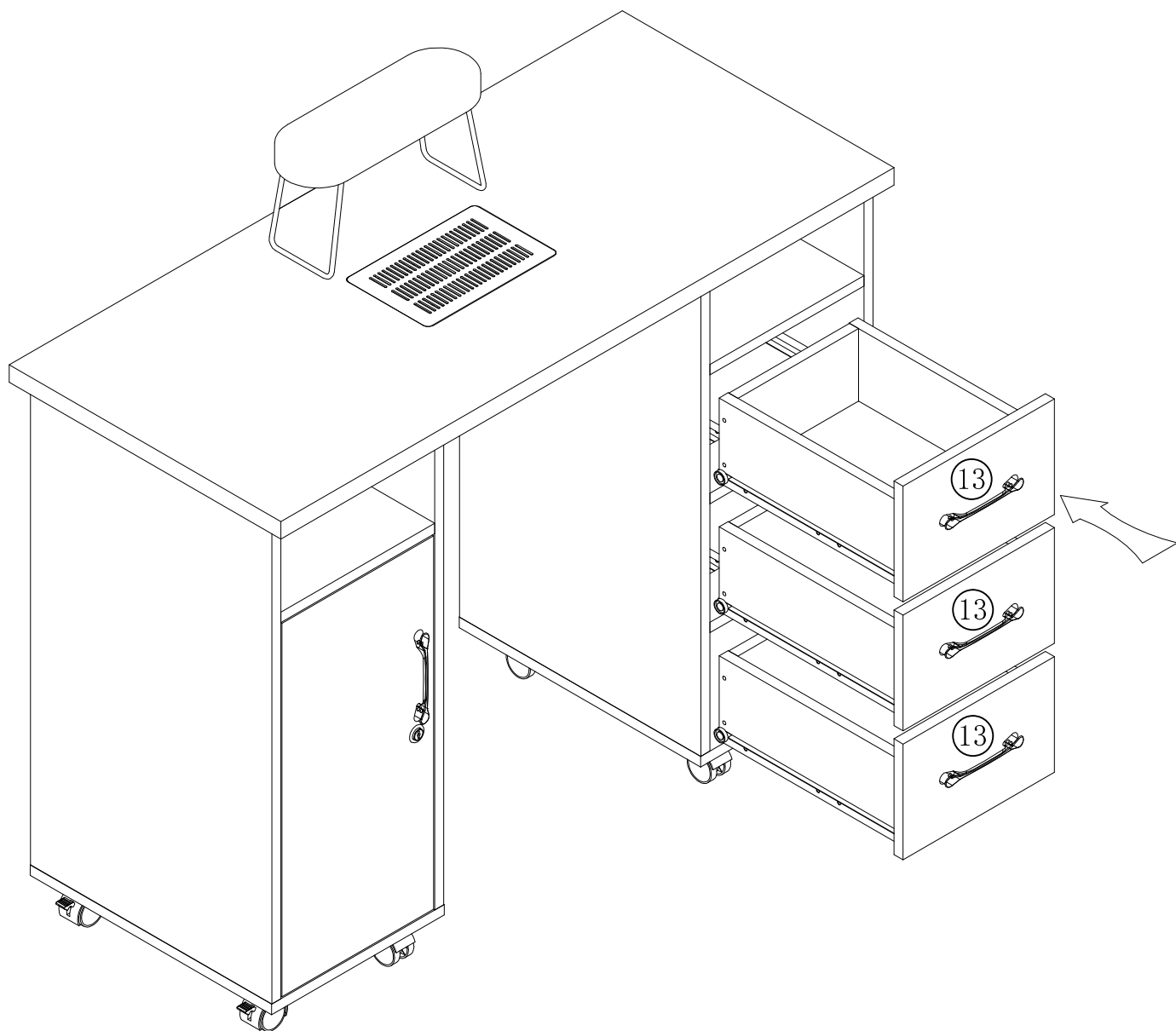


X3

M	X3

A	X12	B	X12	C	X6	D	X12	E	X12	H	X3

# 25



V	X1
A line drawing of a chair with a curved seat and four legs.	