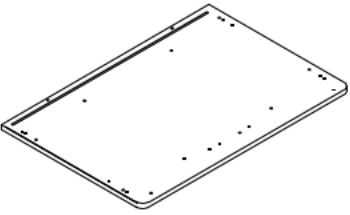
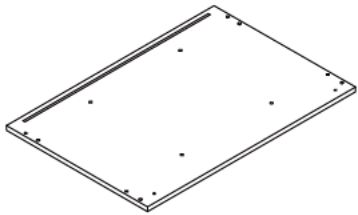
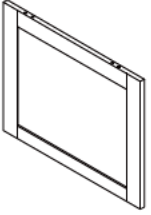
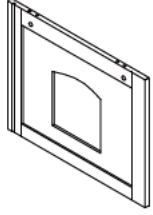
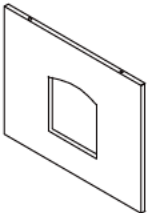
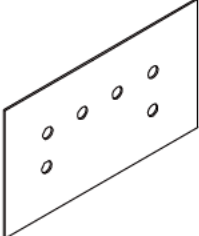
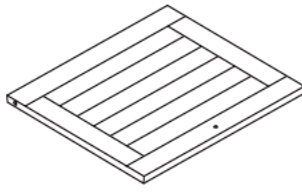
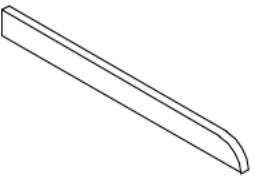
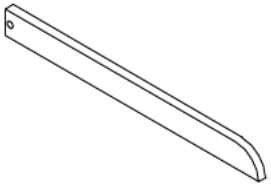
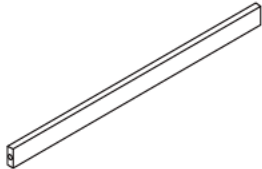
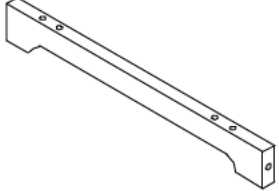
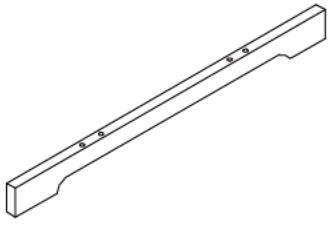
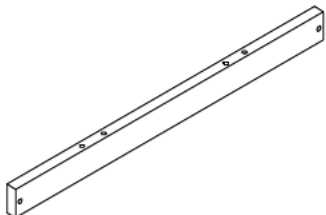
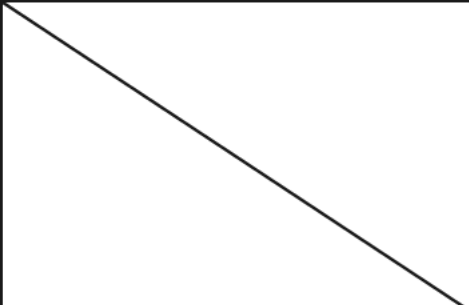
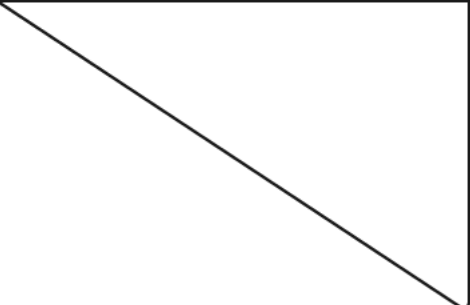


LITTER BOX ENCLOSURE

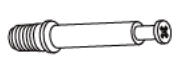









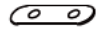



PARTS

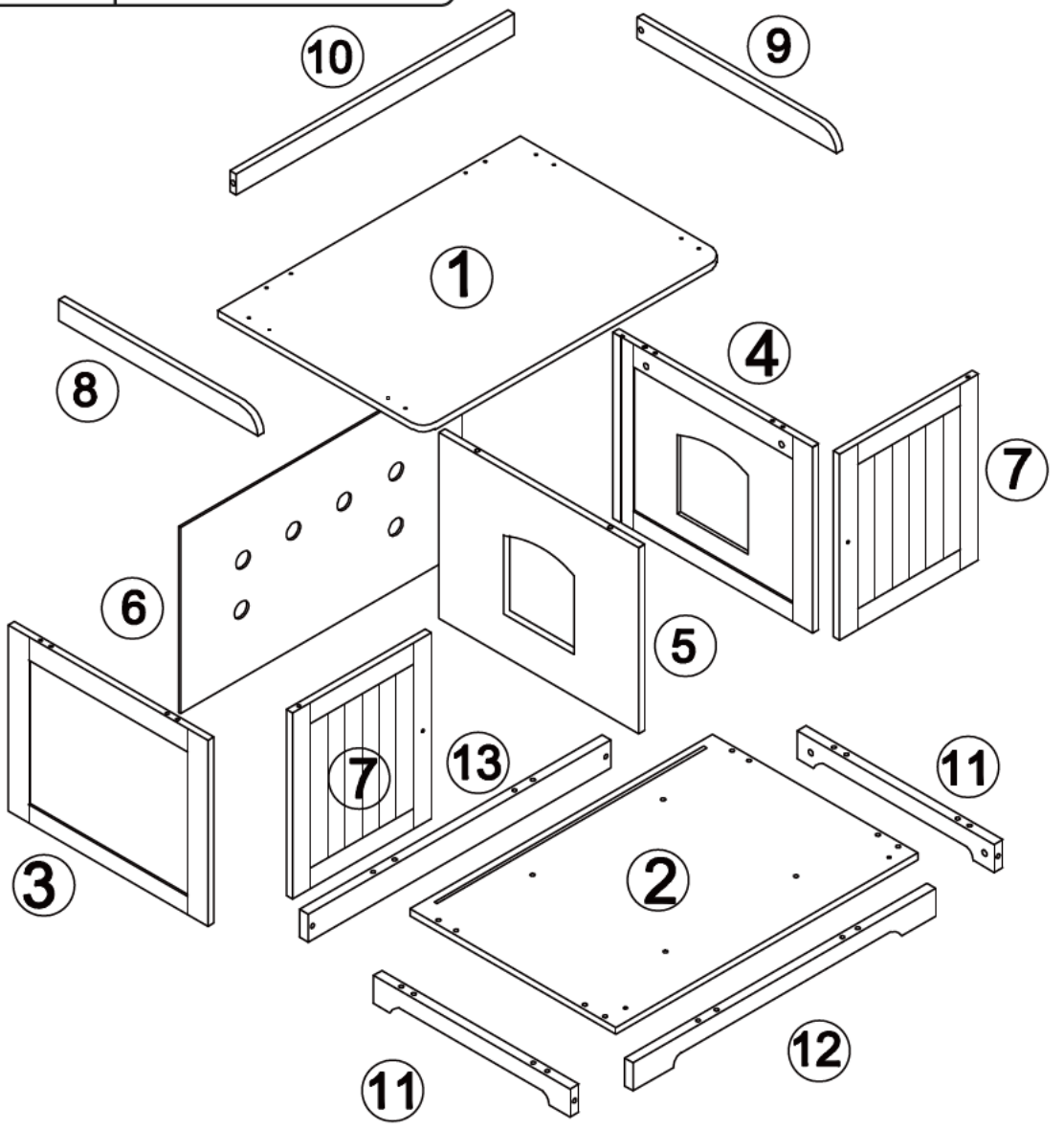


 ① x1	 ② x1	 ③ x1
 ④ x1	 ⑤ x1	 ⑥ x1
 ⑦ x2	 ⑧ x1	 ⑨ x1
 ⑩ x1	 ⑪ x2	 ⑫ x1
 ⑬ x1		



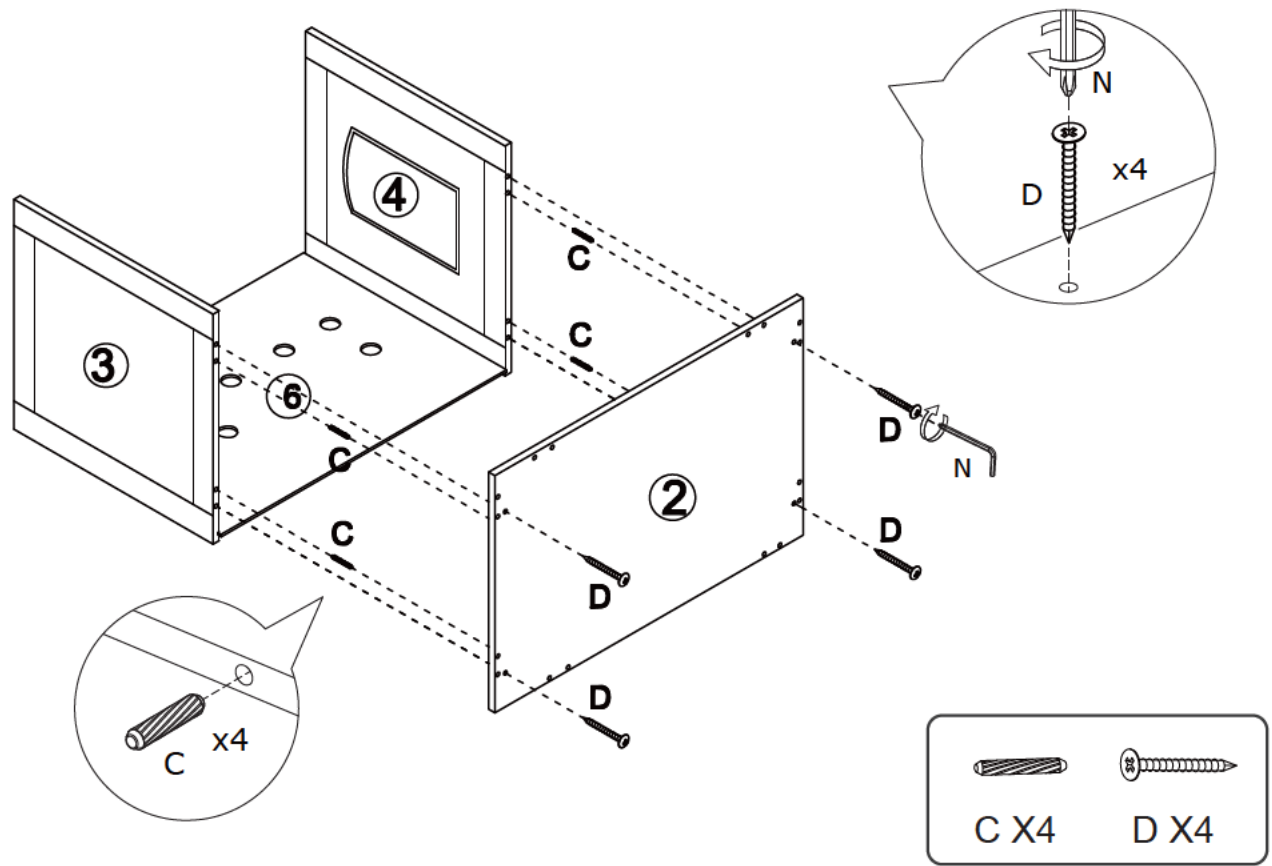
PARTS

 A x10+1	 B x10+1	 C D6x30mm x26+1	 D D4x35mm x10+1
 E x2	 F D3x14mm x8+1	 G D4x45mm x8+1	 H D3x16mm x2
 I x2	 J x4+1	 K x2	 L D3x12mm x4+1
 M x4+1	 N x1		

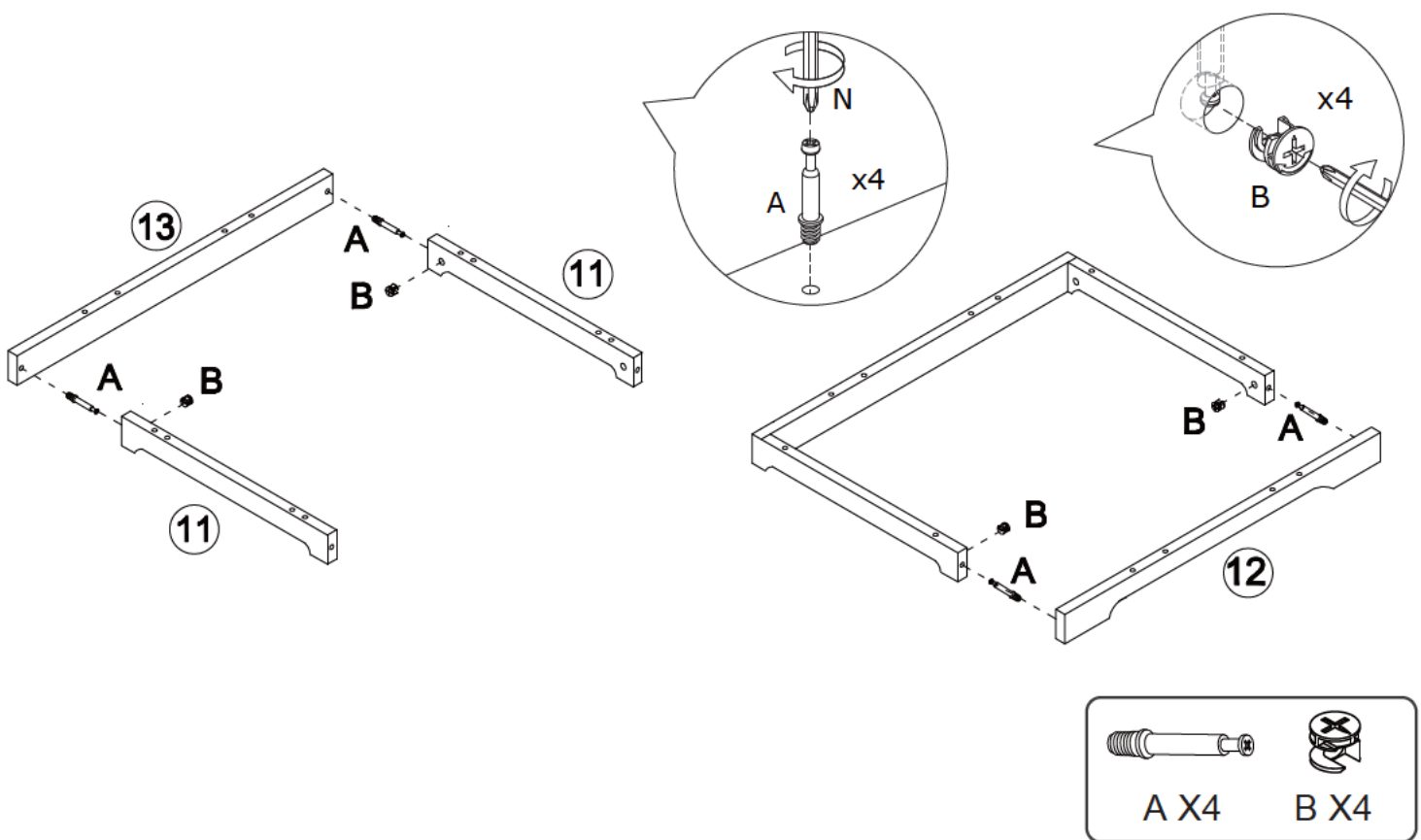




STEP 1

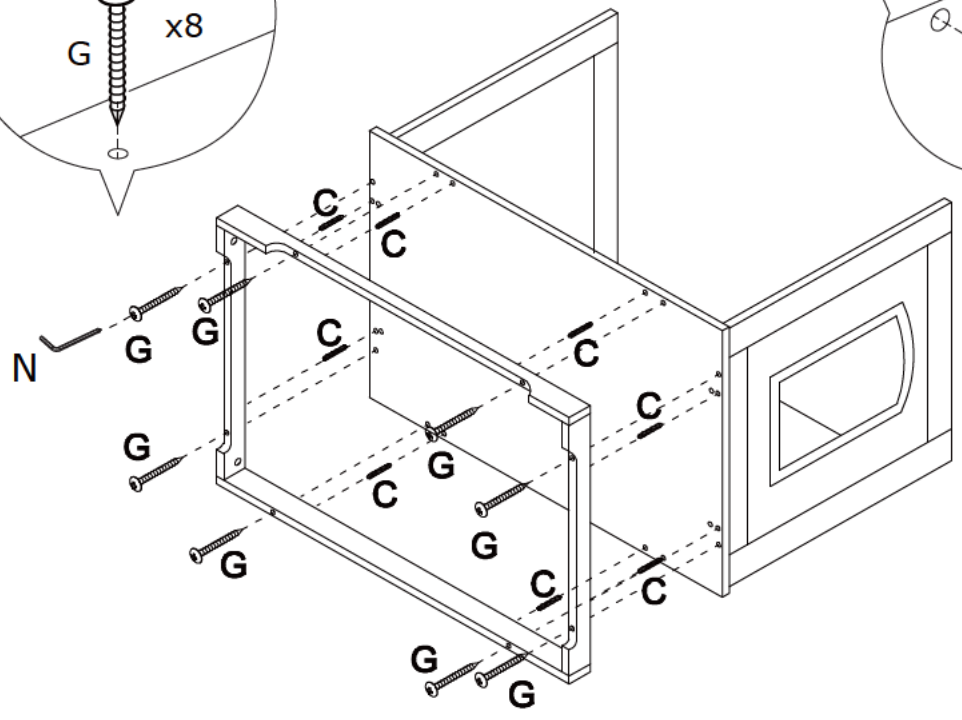
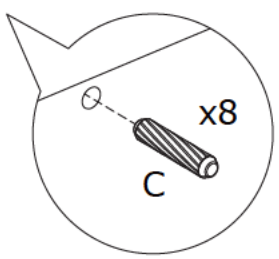
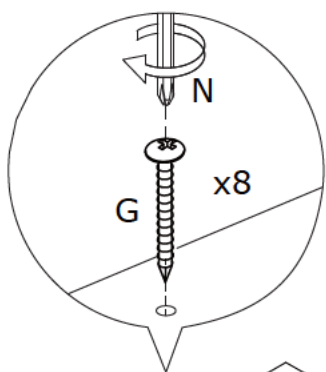


STEP 2



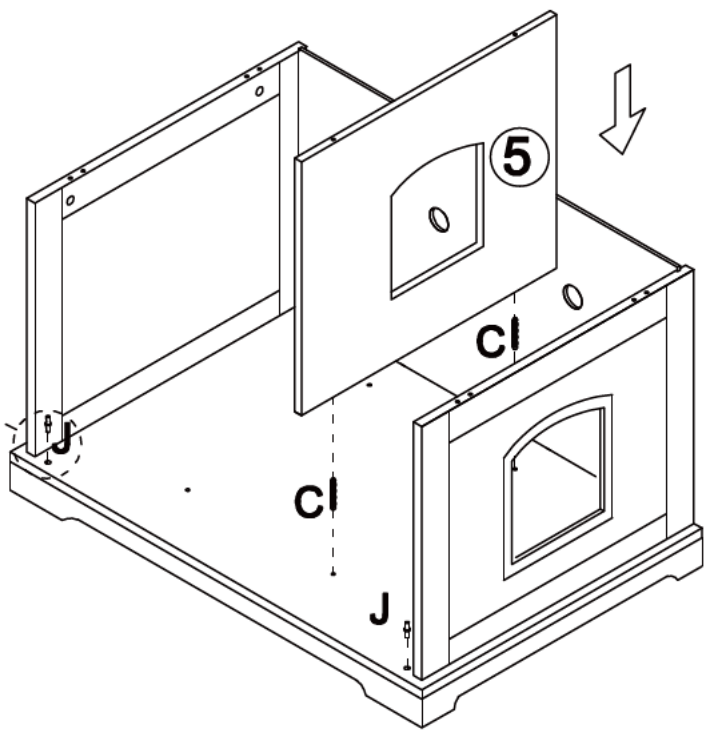
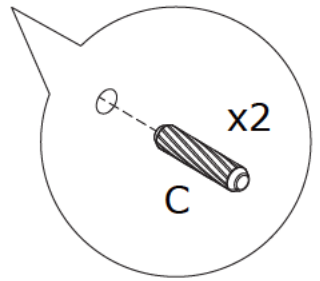
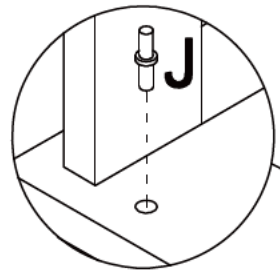


STEP 3



C X8	G X8

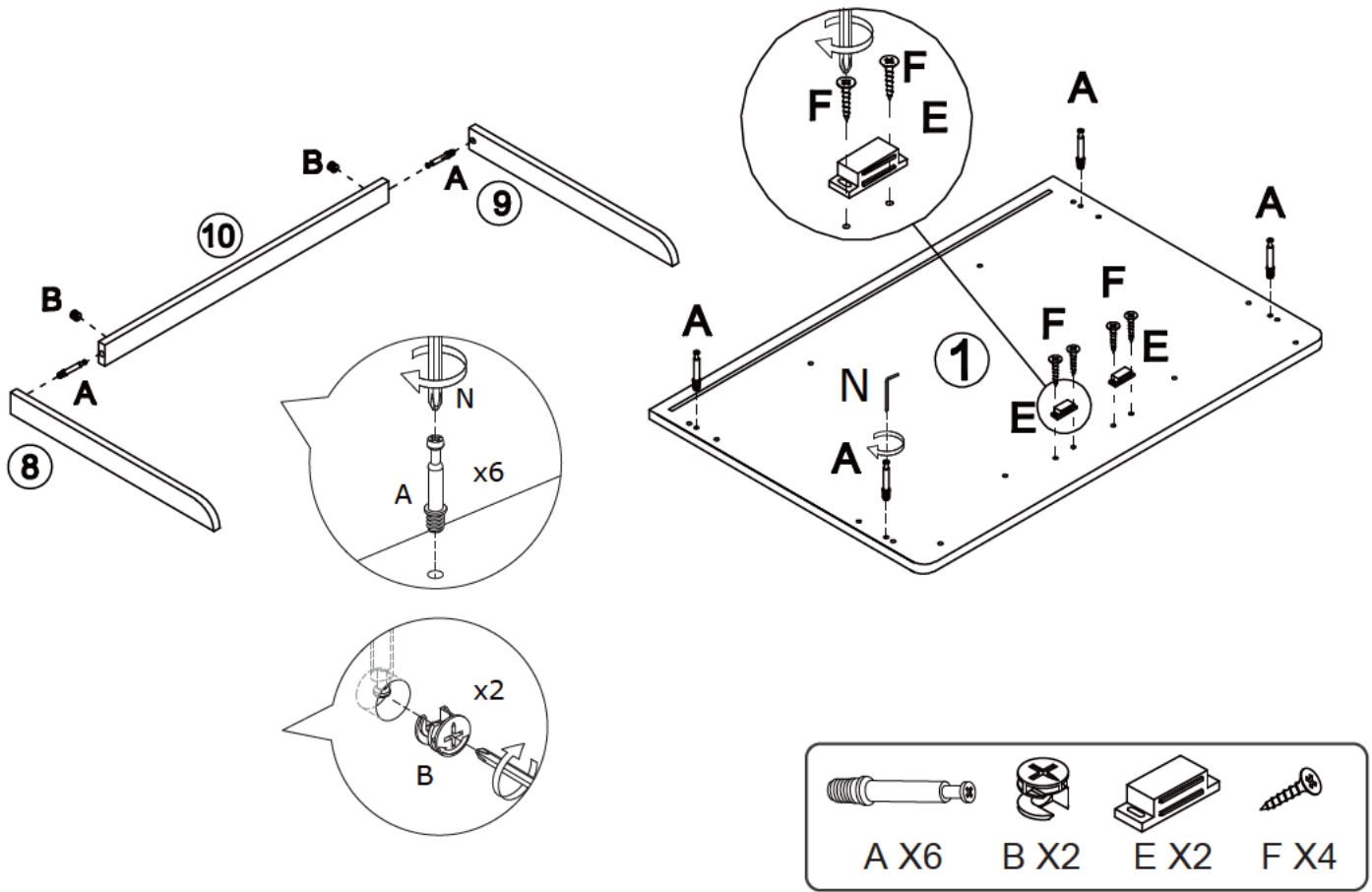
STEP 4



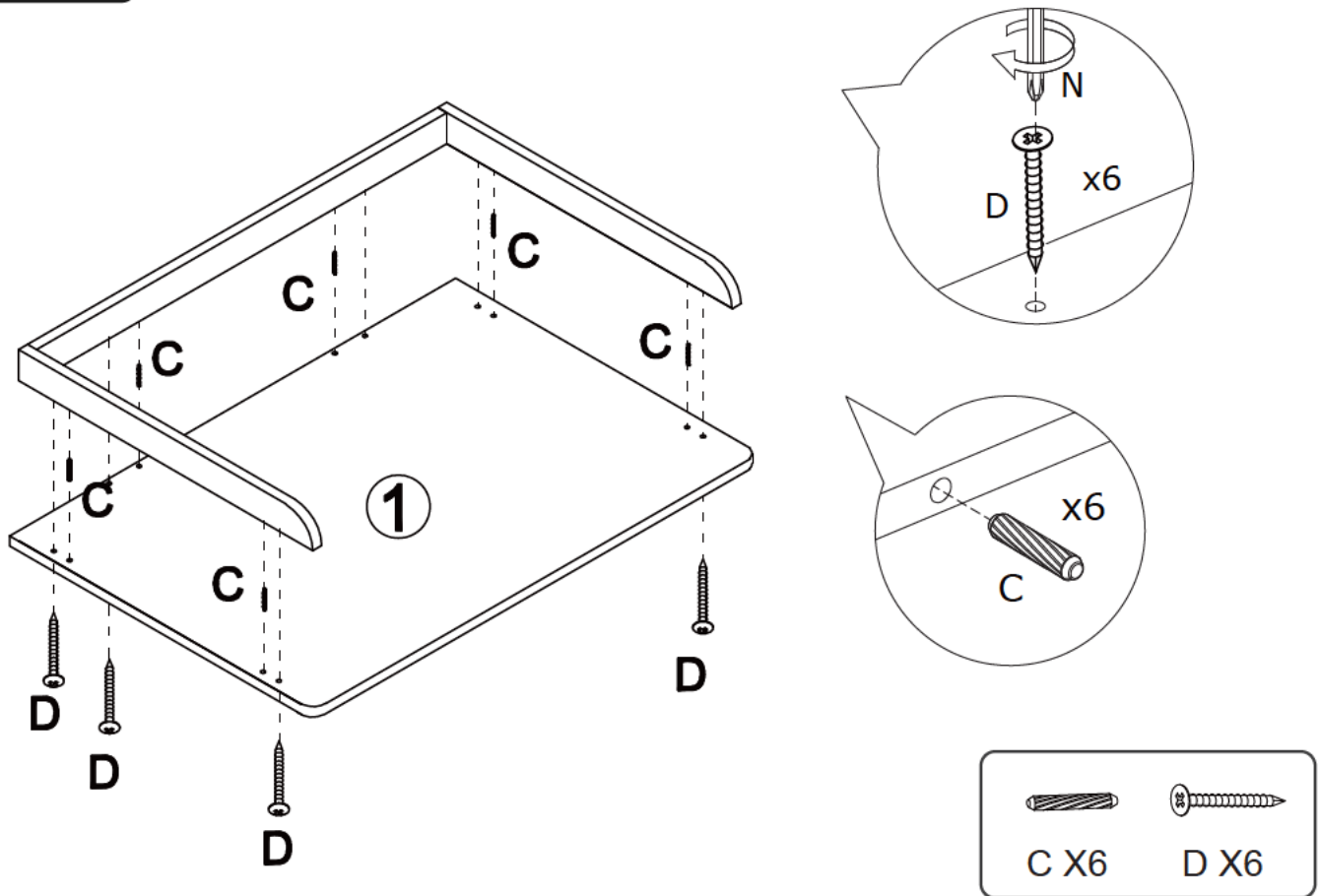
C X2	J X2



STEP 5

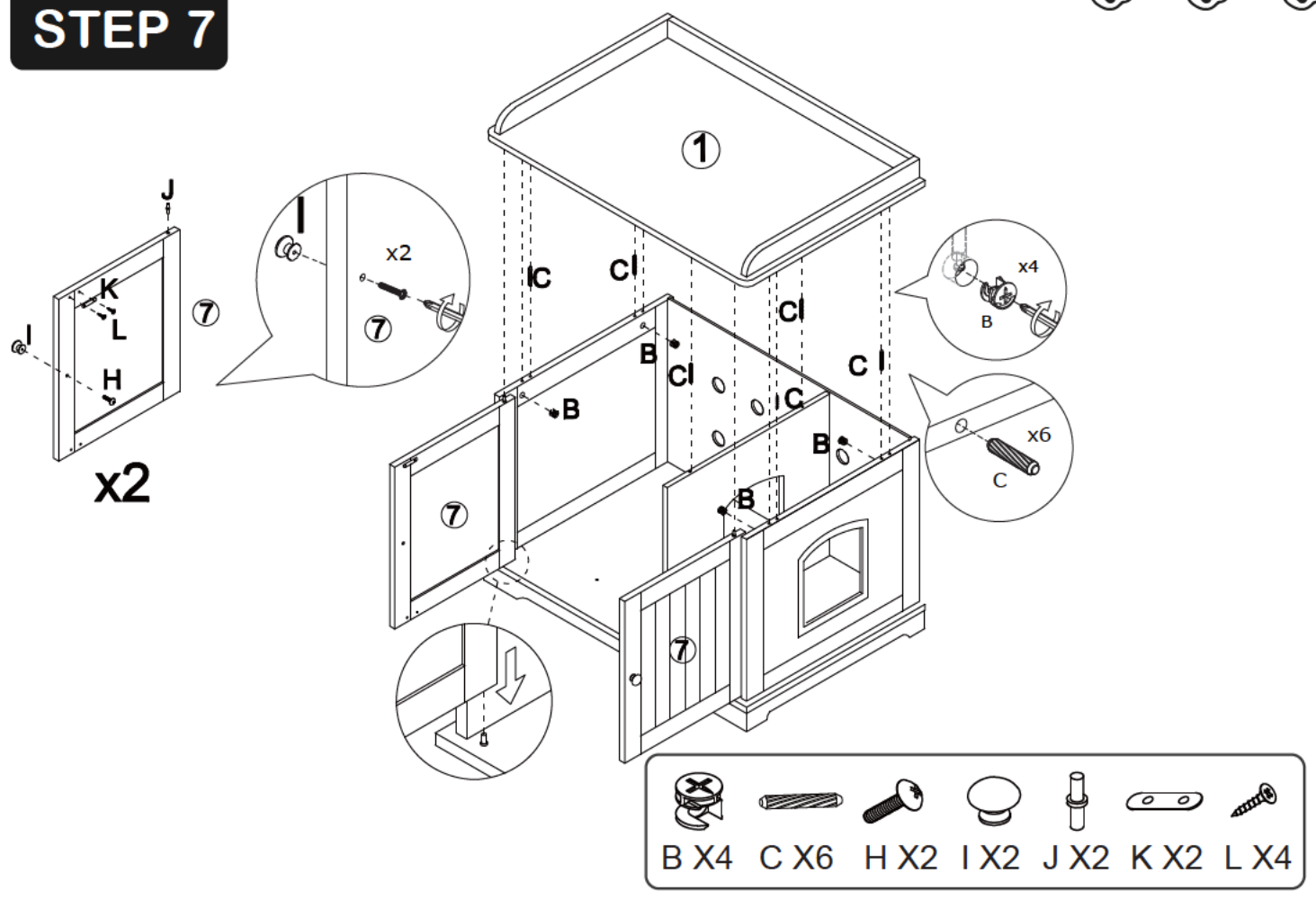


STEP 6





STEP 7



STEP 8

