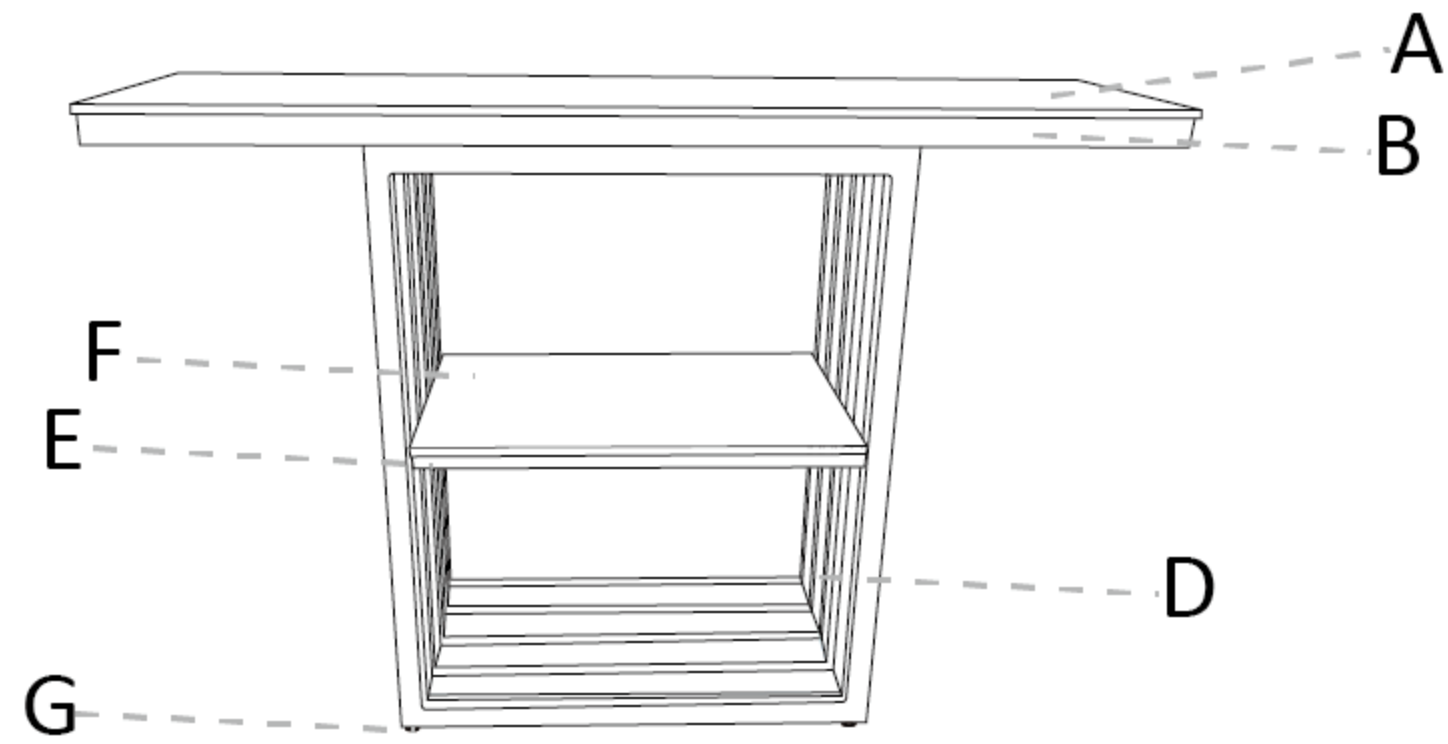
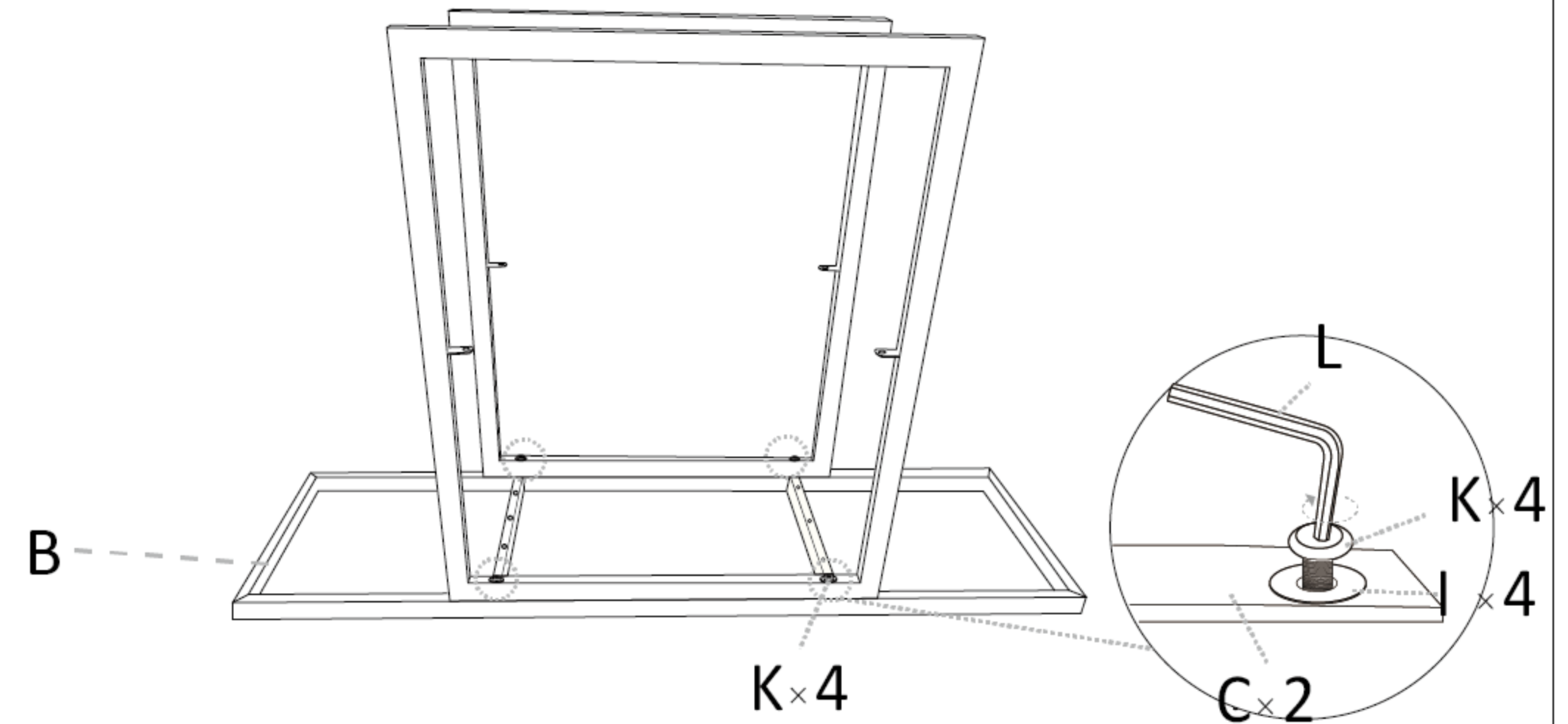


Assembly Instruction(1/2)

⚠ Assemble on the pad to prevent scratching the product.
Do not tighten all screws before instructions prompt.



Step 1

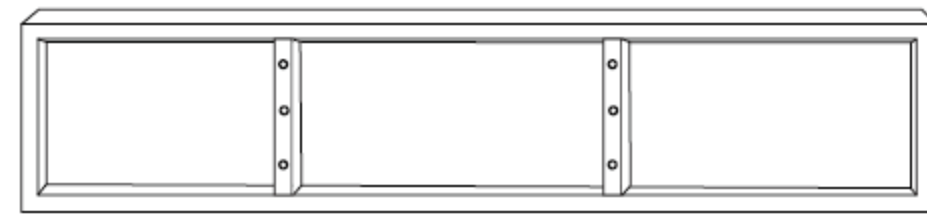


Parts List

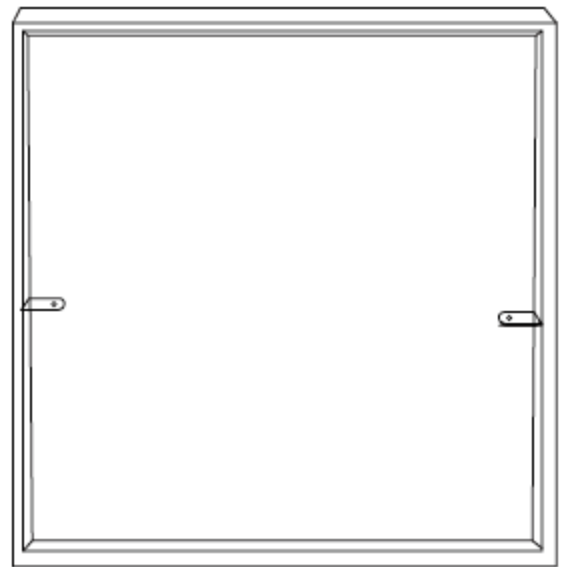
Open the hardware check all parts QTY, thanks



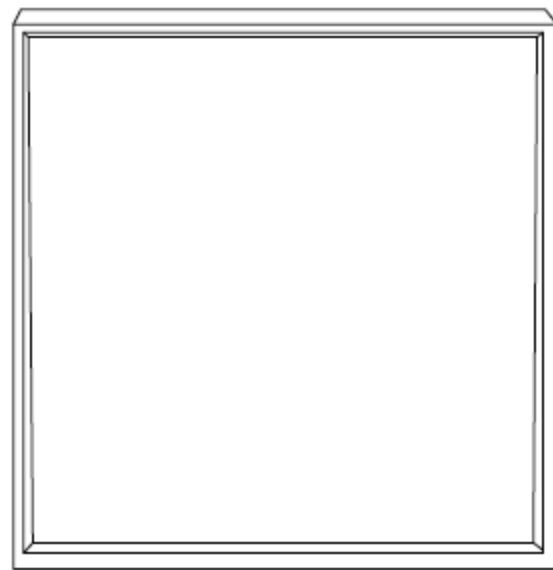
A x 1



B x 1



C x 2



D x 3



E x 1



F x 1



G x 4



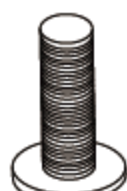
H x 8



I x 16



J x 4



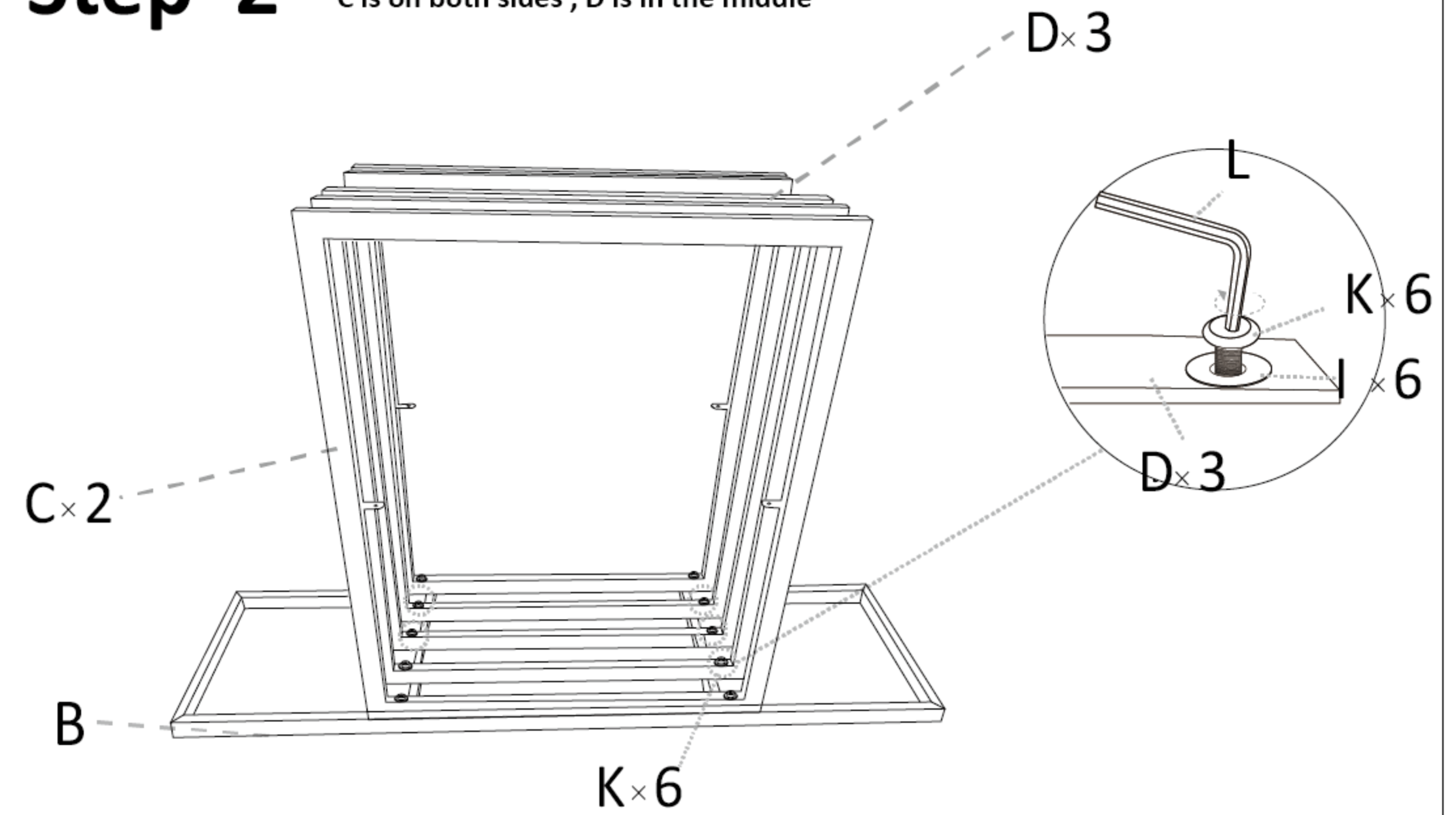
K x 16



L x 1

Step 2

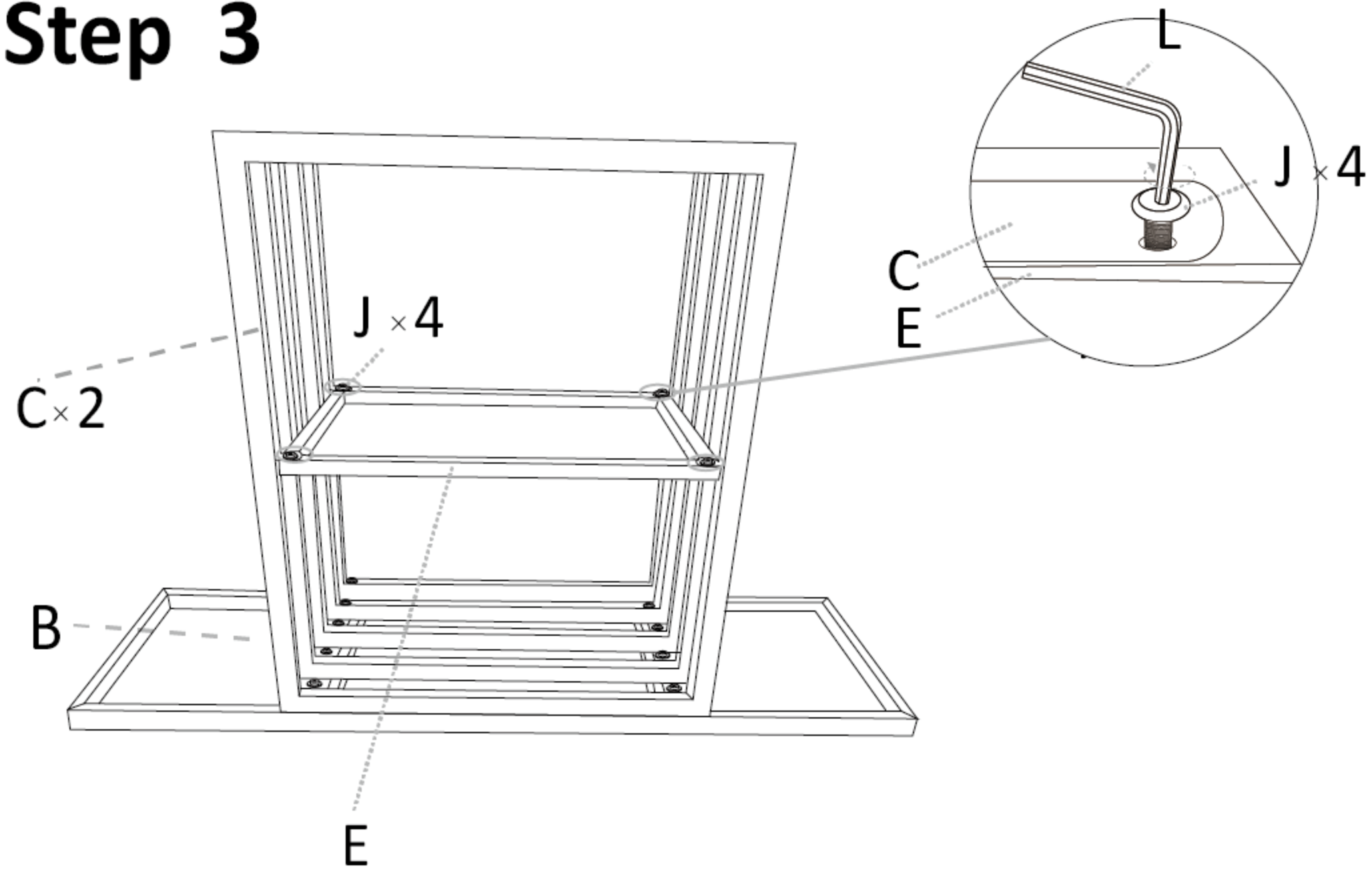
C is on both sides, D is in the middle



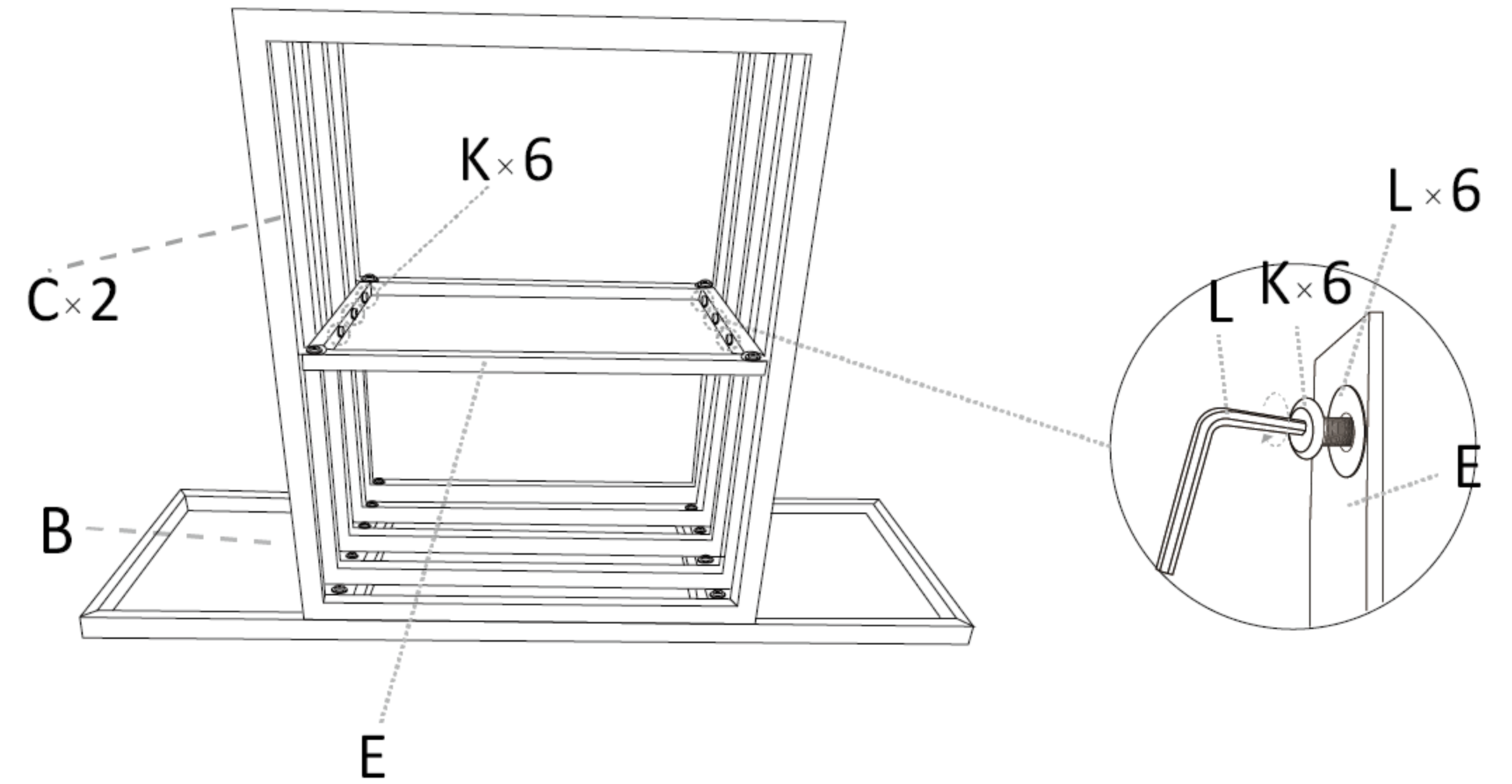
Assembly Instruction(2/2)

⚠ Assemble on the pad to prevent scratching the product.
Do not tighten all screws before instructions prompt.

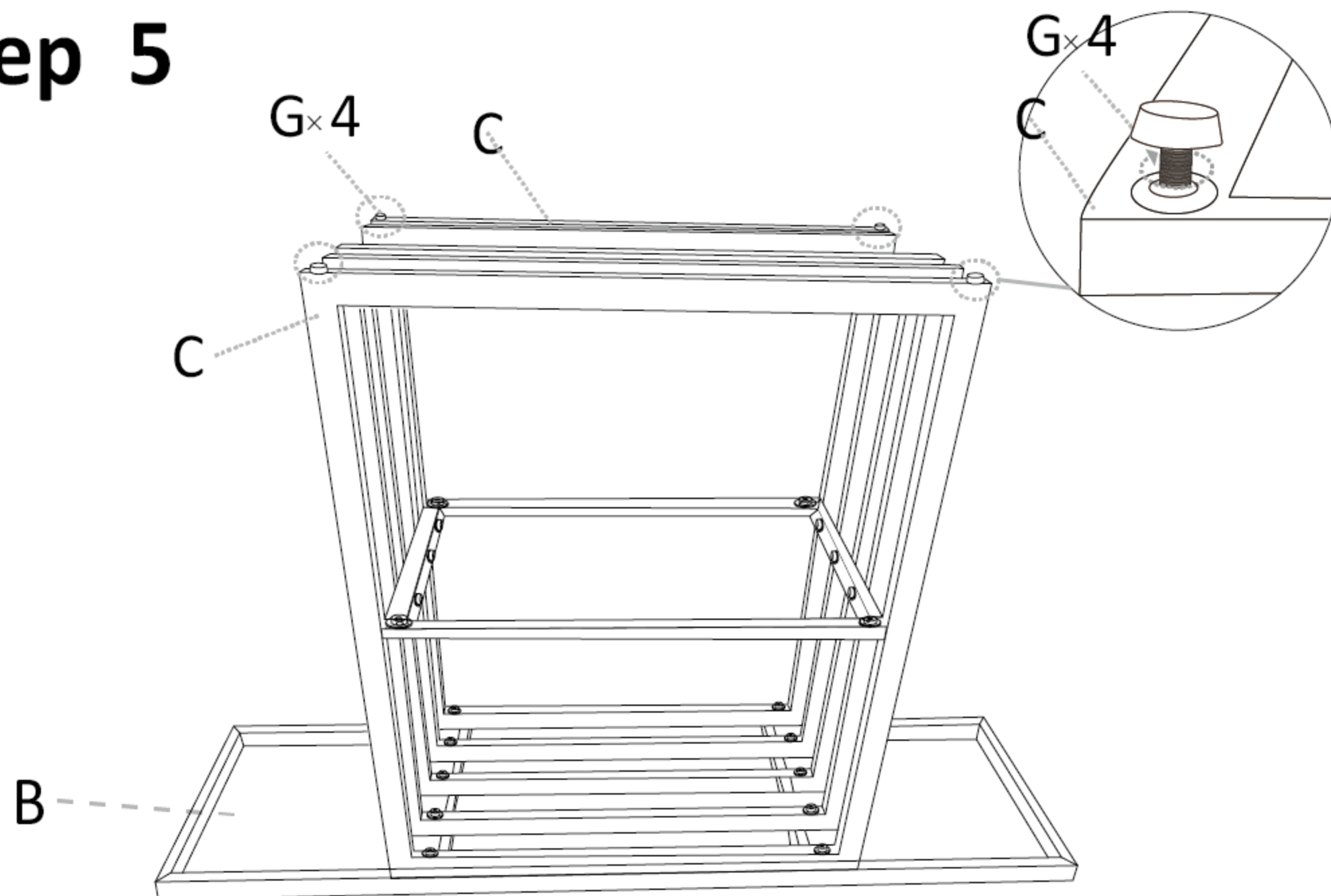
Step 3



Step 4



Step 5



Step 6

