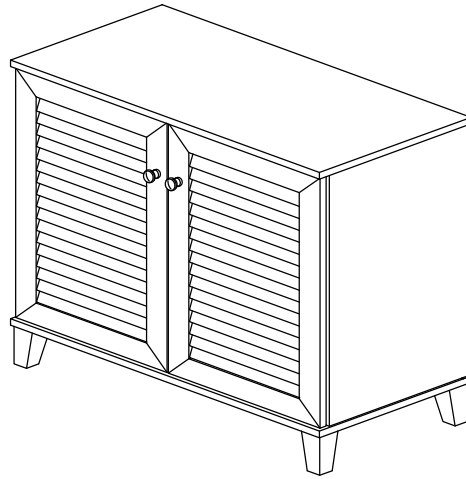
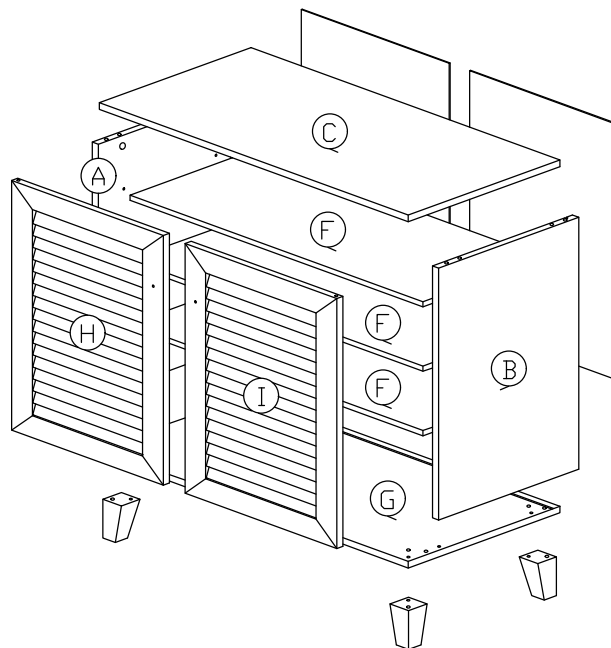


# Assembly Instruction



## Part List



### Hardware List

No.	SHAPE	DESCRIPTION	Qty.
1		<b>8x25mm Wood Dowel</b>	12Pcs
2		<b>15MM Titus Mini Fix</b>	4Sets
3		<b>M3x16mm Screw</b>	4Pcs
4		<b>M4x38mm Screw</b>	4Pcs
5		<b>M7x40mm Screw</b>	4Pcs
6		<b>Shelf Support</b>	14Pcs
7		<b>M6x22 Steel Bracket</b>	4Pcs
8		<b>Brown Magnet 2 Pin</b> Flat Head Tapping Screw M6x10mm ZB	2Sets
9		<b>Handle (9988)</b> M4x25mm (Handle Screw)	2Sets

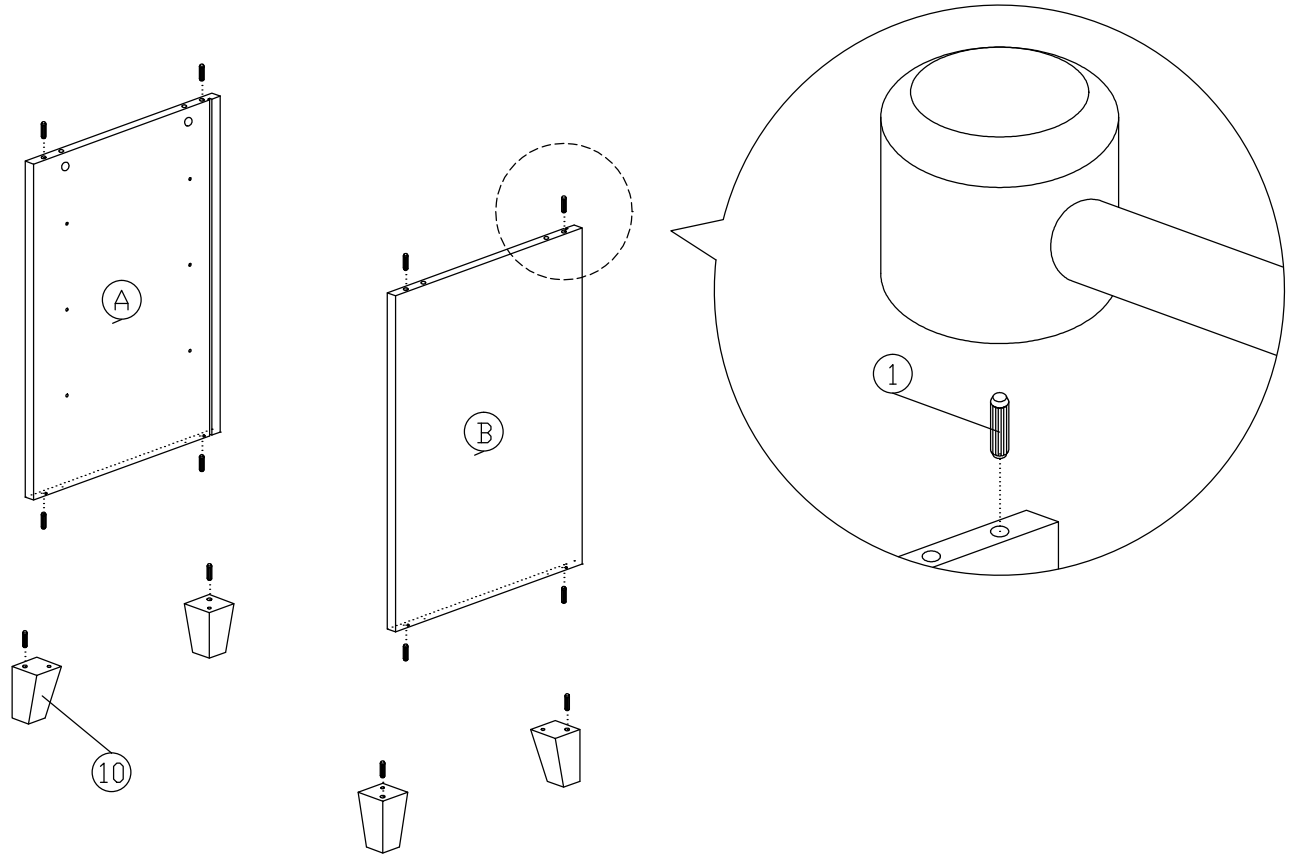
10		<b>Wooden Leg</b>	4Pcs
11		<b>L Key</b>	1Pc
12		<b>Z Bracket</b>	2Pcs

### Packing Tipping Restraint

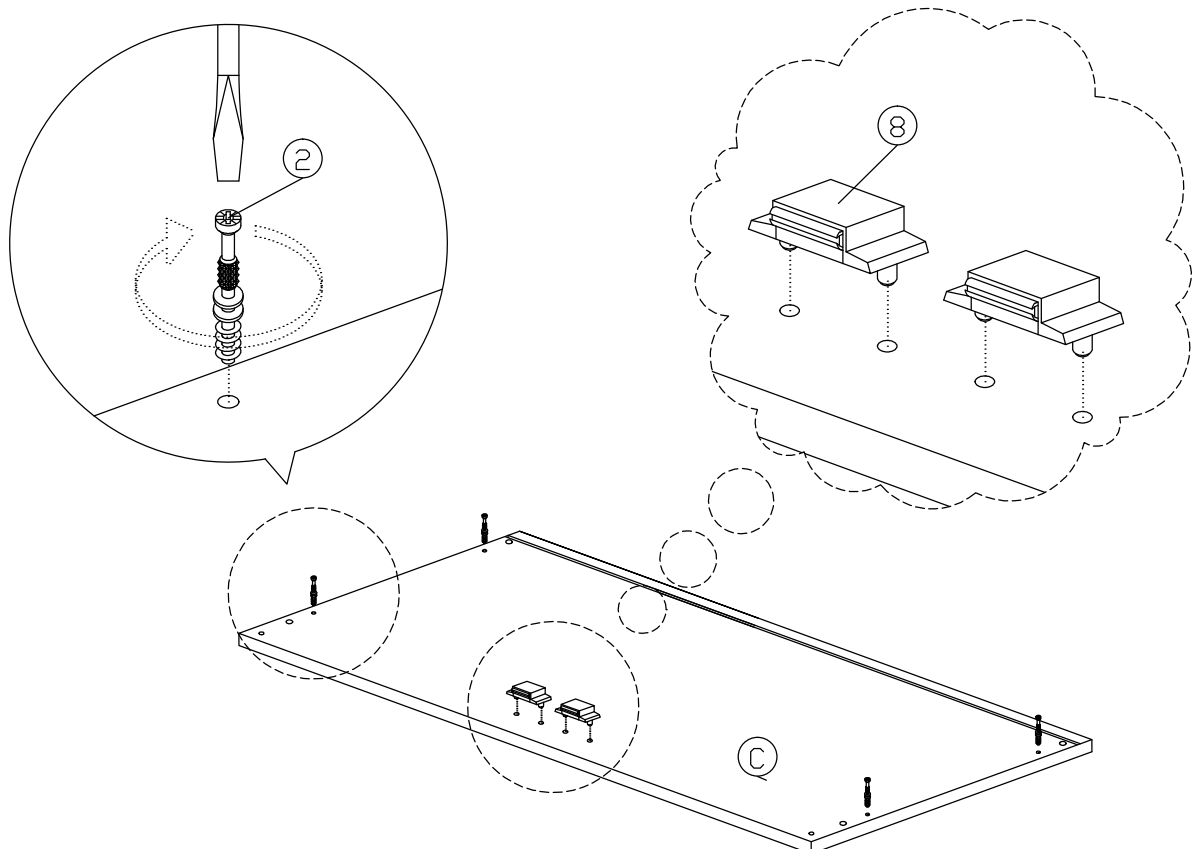
13		<b>M3.5x15mm Screw</b>	2Pcs
14		<b>Wall Plug</b>	2Pcs
15		<b>M4x30mm Screw</b>	2Pcs
16		<b>Safety Strap</b>	2Pcs
17		<b>Flat Washer 6x19x2mm</b>	4Pcs

# Assembly Instruction

## Step 1

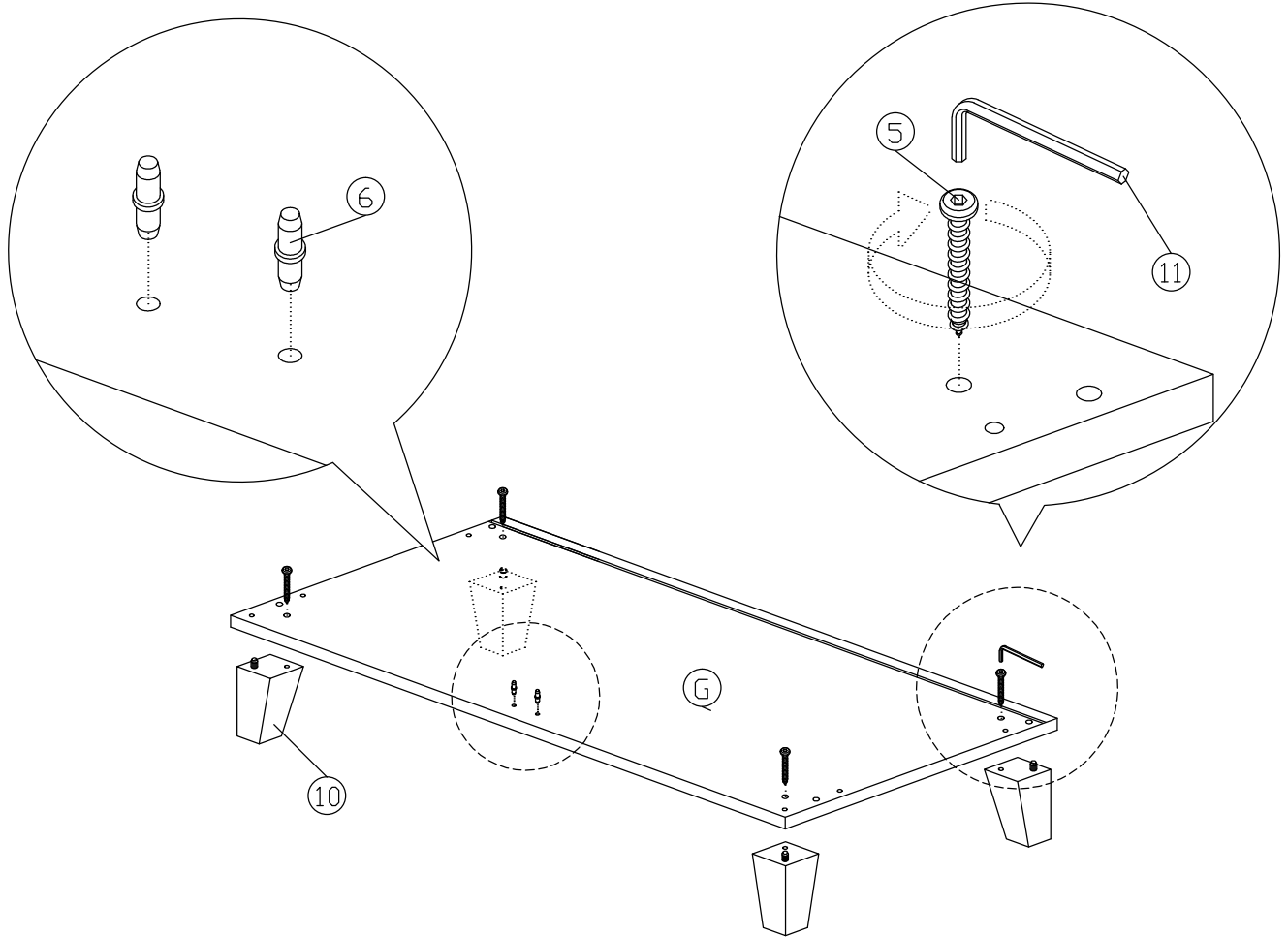


## Step 2

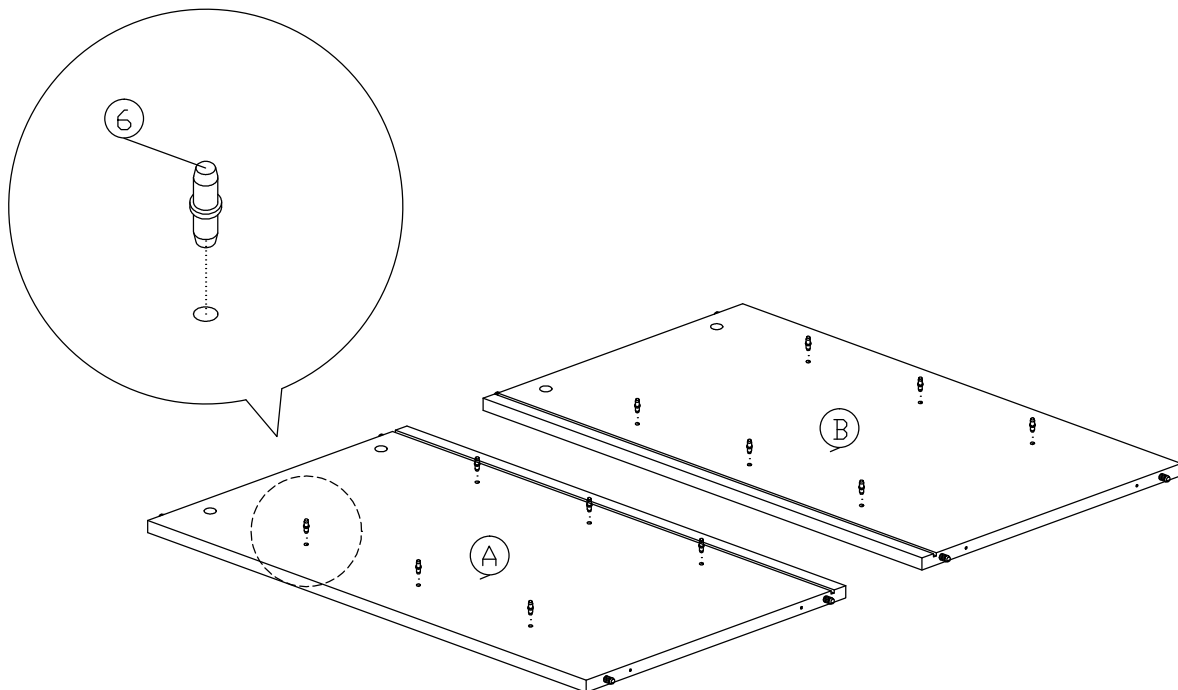


# Assembly Instruction

## Step 3

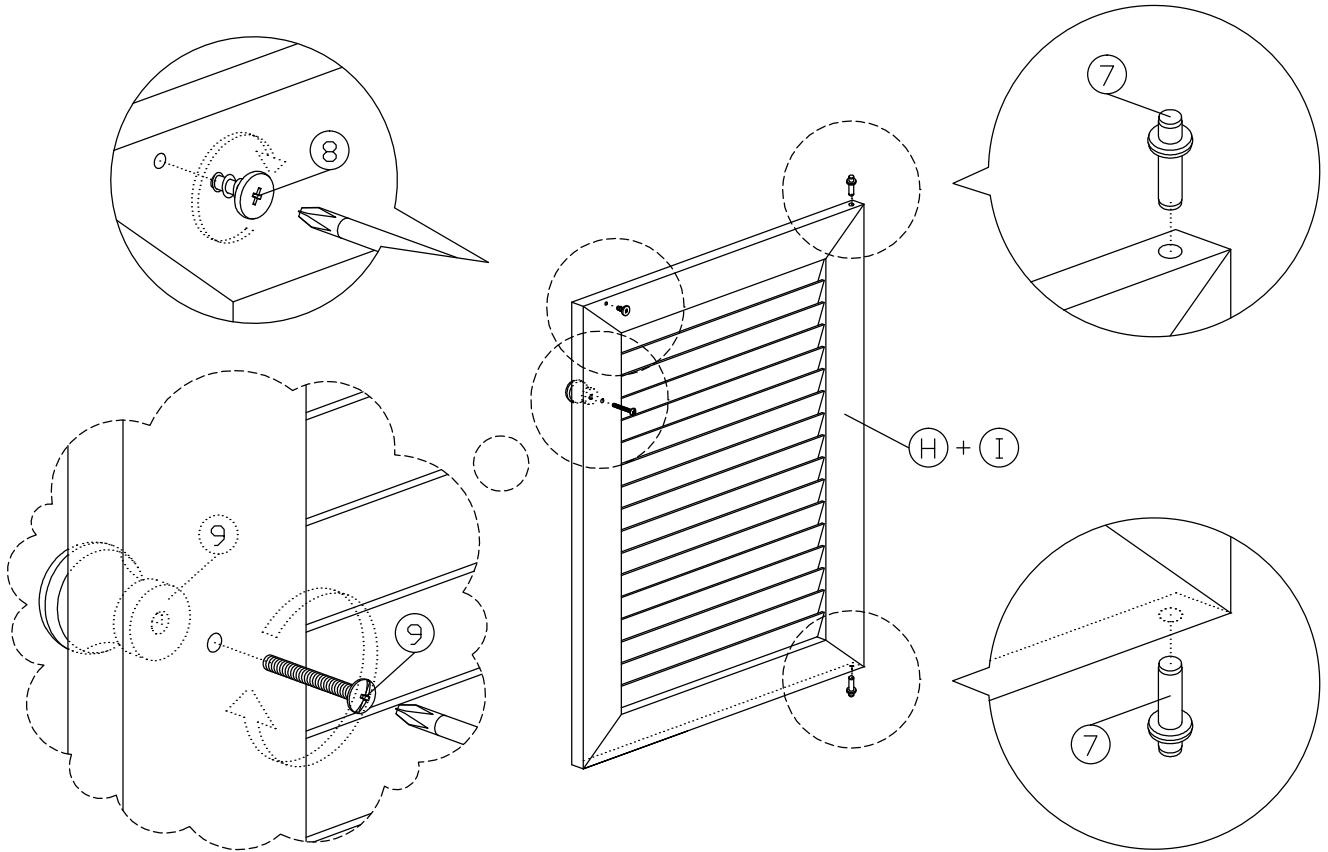


## Step 4

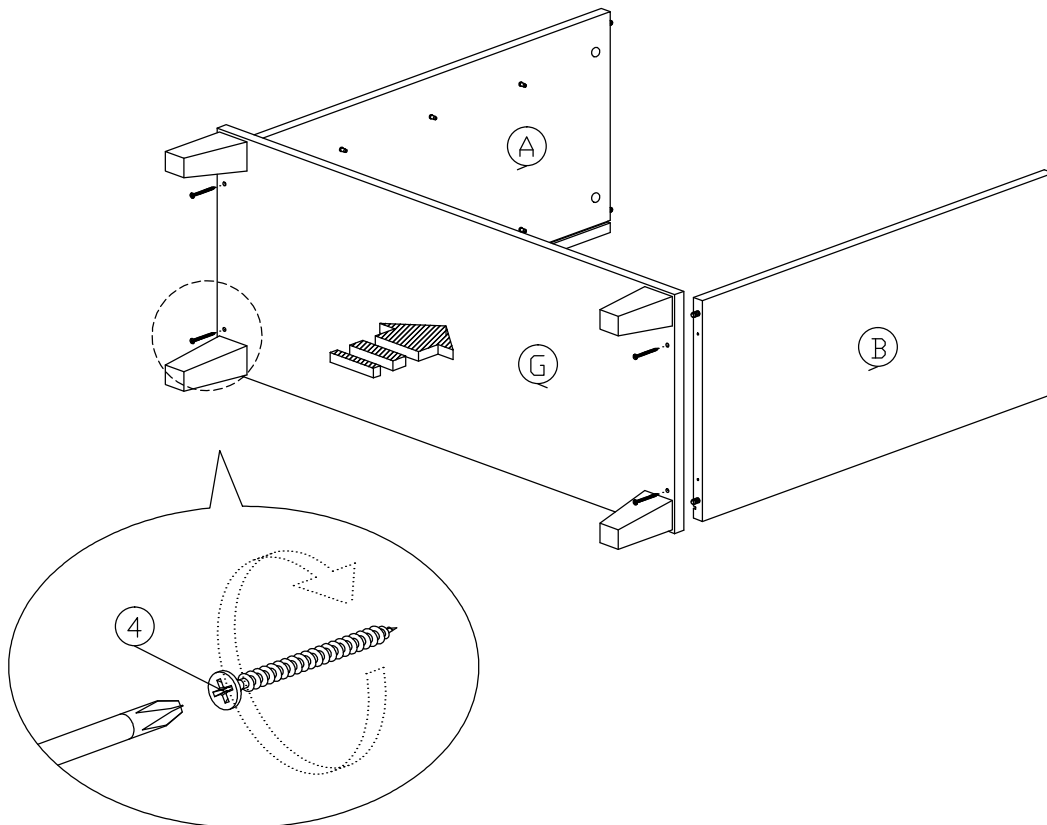


# Assembly Instruction

## Step 5

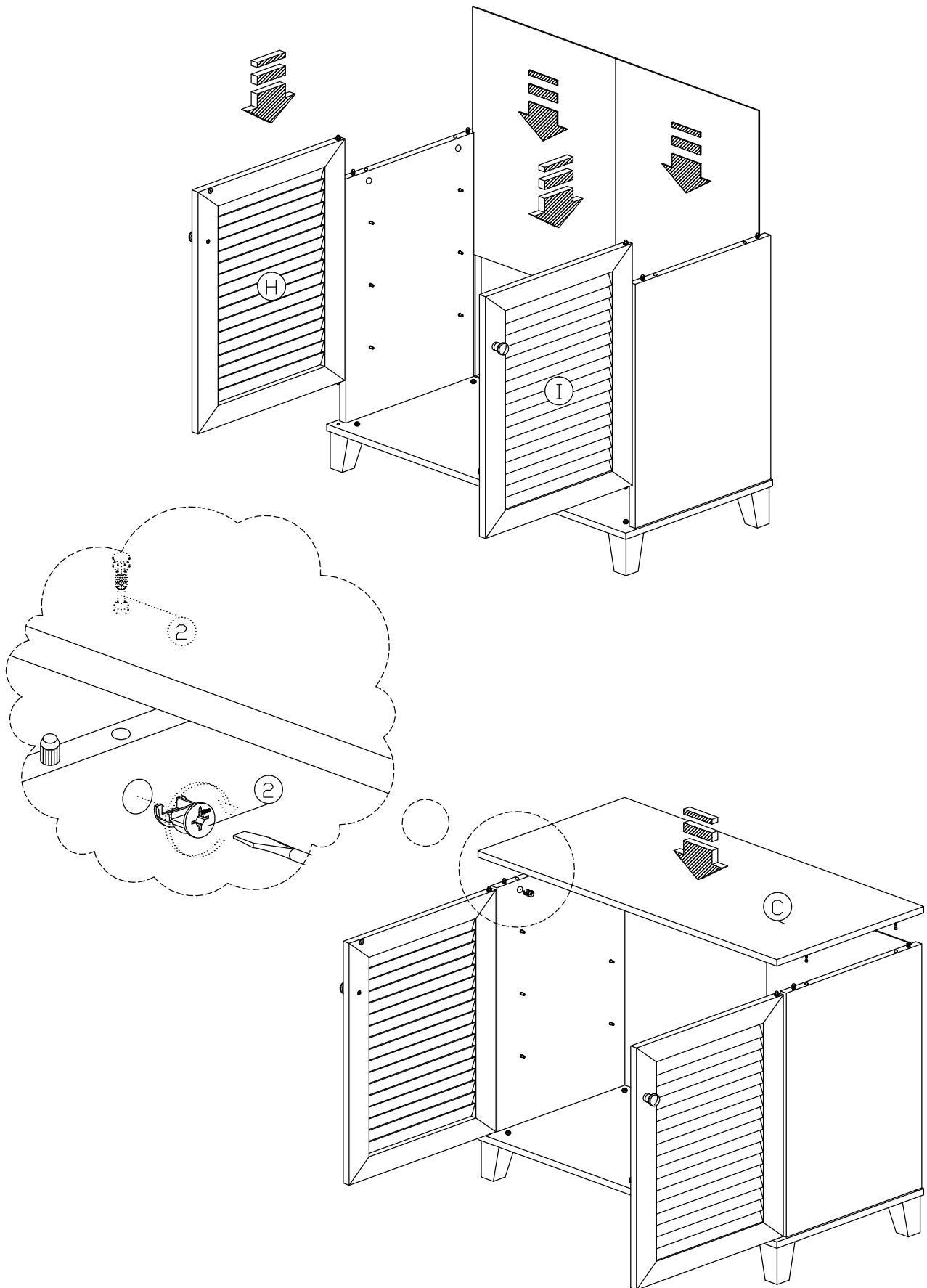


## Step 6



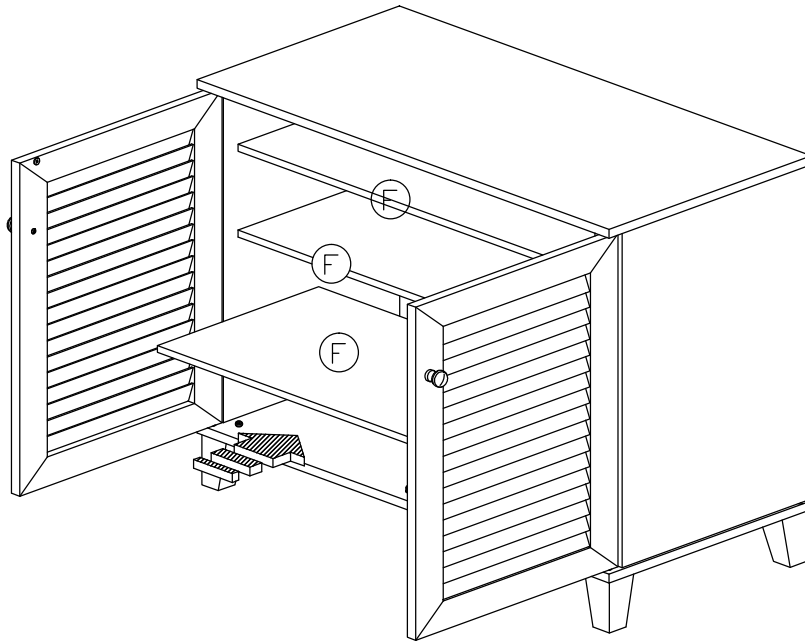
# Assembly Instruction

## Step 7

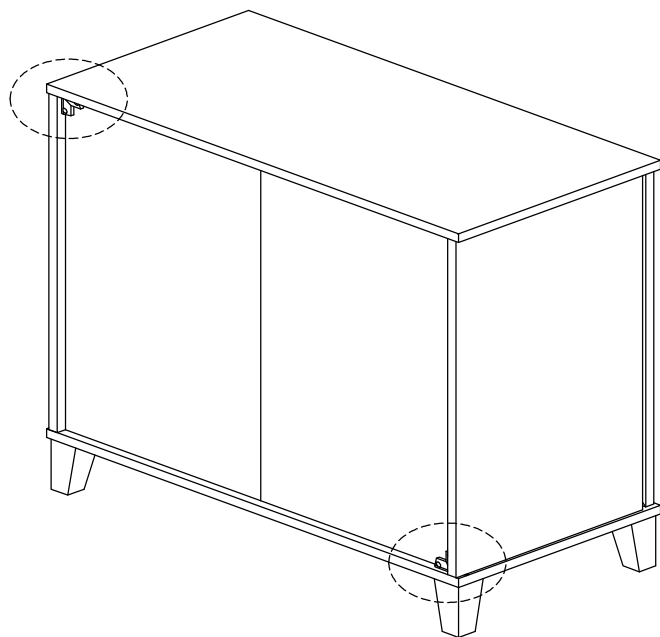
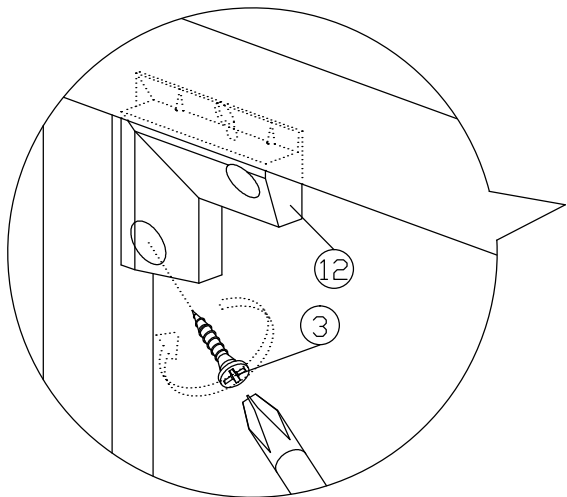


# Assembly Instruction

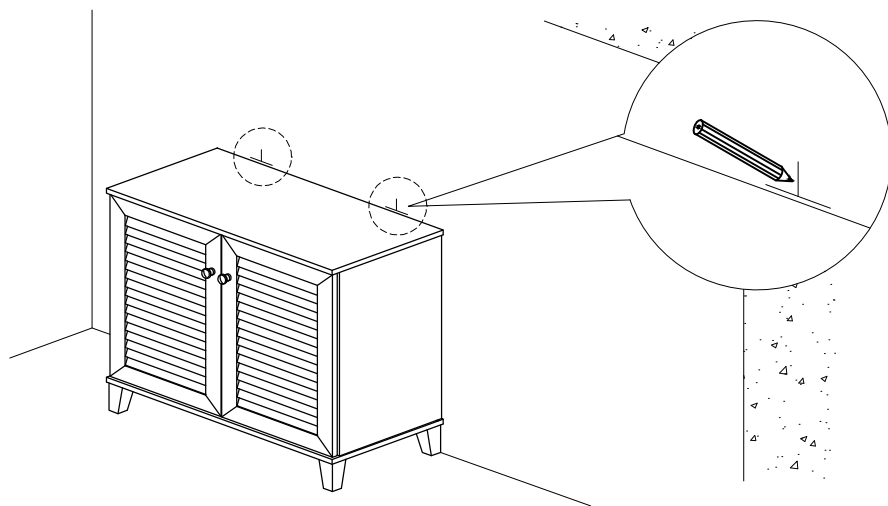
## Step 8



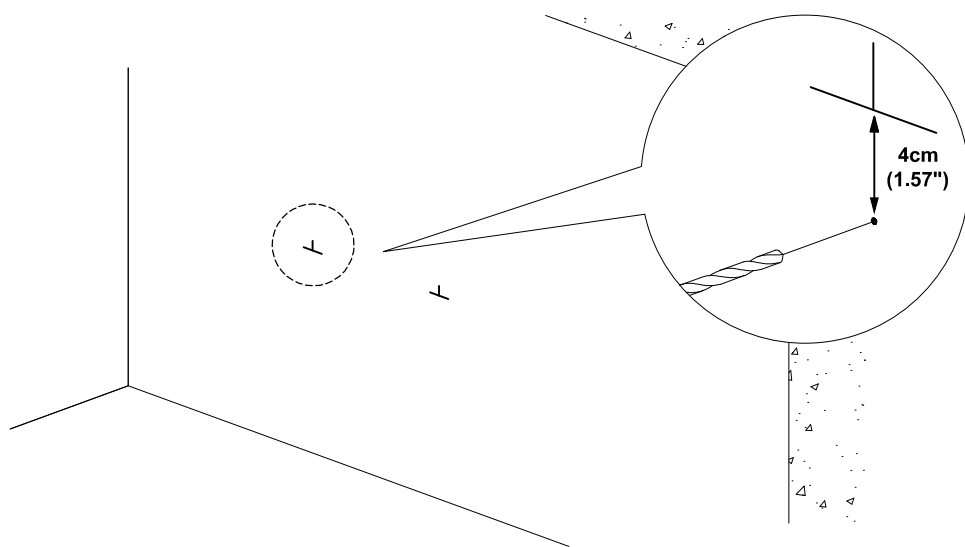
## Step 9



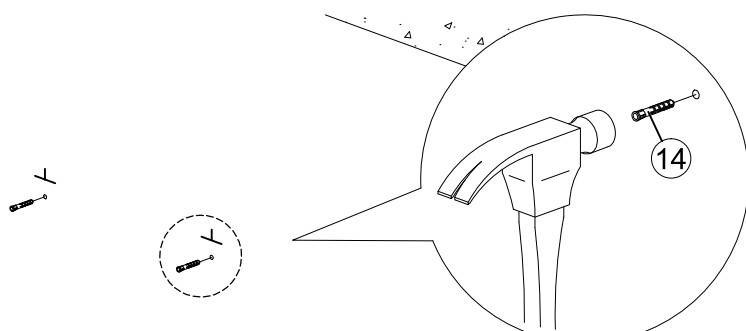
# FURNITURE TIPPING RESTRAINT



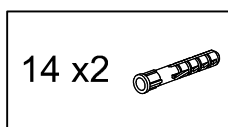
**1. First mark the wall with pencil as in diagram.**



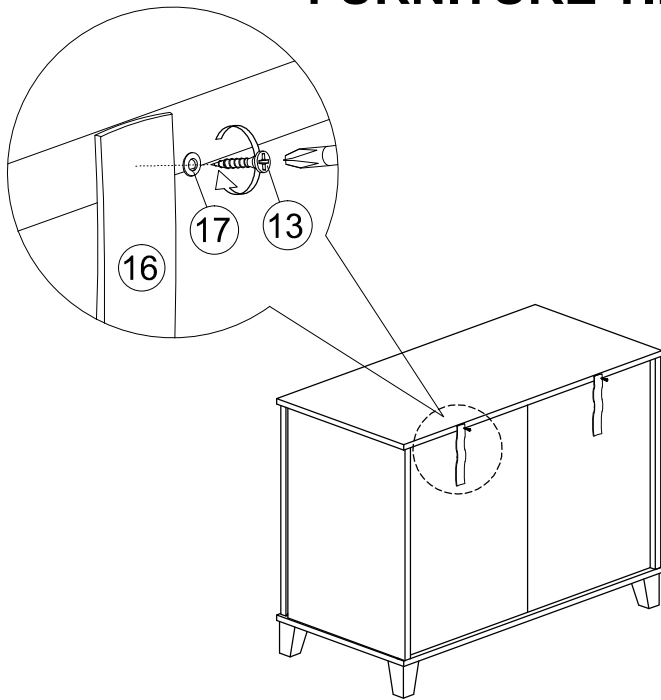
**2. Drill small hole at the pencil mark.**



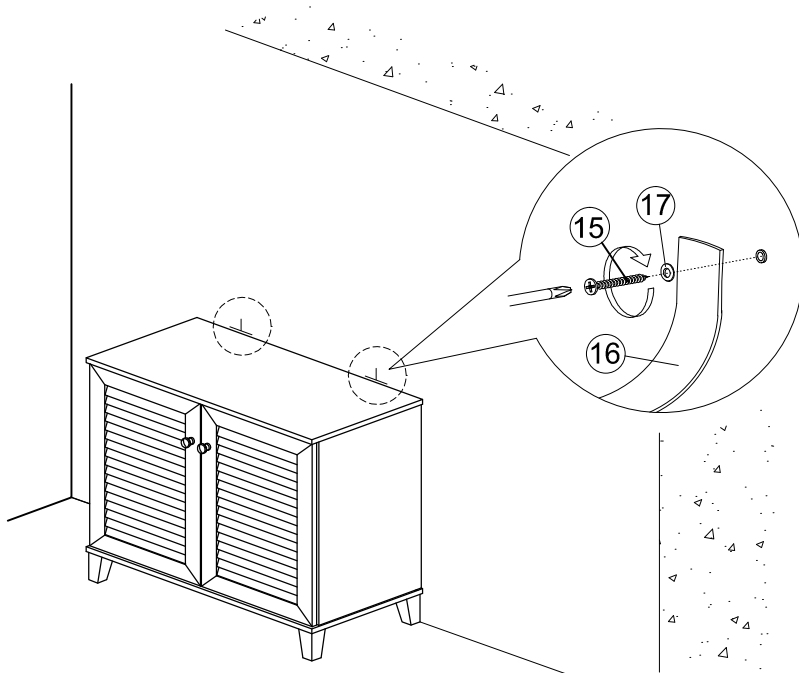
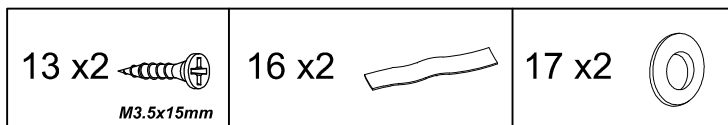
**3. Insert plastic wall plug (14).**



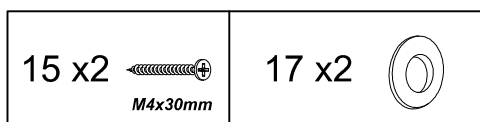
# FURNITURE TIPPING RESTRAINT

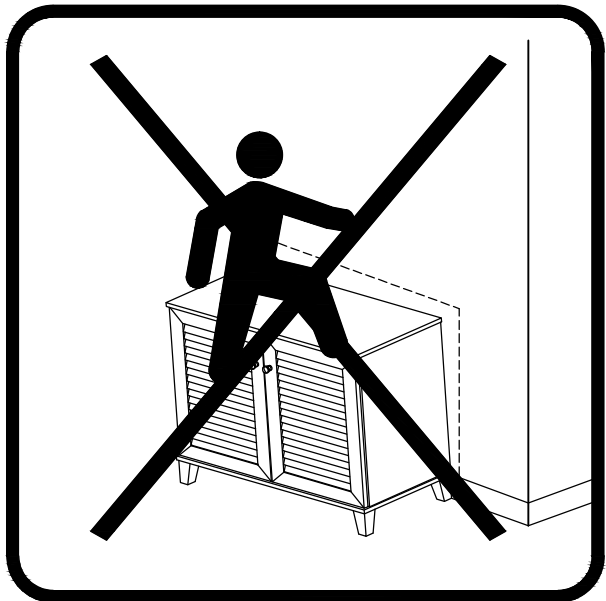
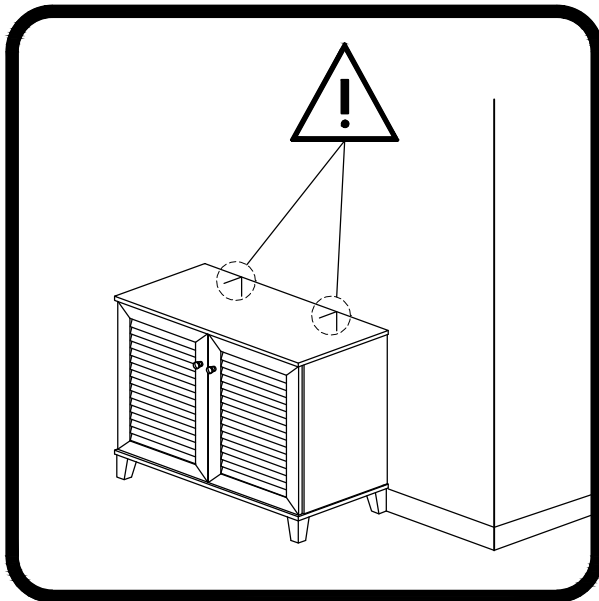




4. Add safety strap (16), washer (17) using 3.5x15mm screw (13) to back of cabinet.



5. Finally, attach safety strap (16) and washer (17) using 4x30mm screw (15) to the wall.





<b>⚠ WARNING</b>	
	<p>Children have died from furniture tipover. To reduce the risk of furniture tipover:</p> <ul style="list-style-type: none"><li>• ALWAYS install tipover restraint provided.</li><li>• NEVER put a TV on this product.</li><li>• NEVER allow children to stand, climb or hang on drawers, doors, or shelves.</li><li>• NEVER open more than one drawer at a time.</li><li>• Place heaviest items in the lowest drawers.</li></ul> <p><i>This is a permanent label. Do not remove!</i></p>
	



**Anti-Topple hardware included for added safety and stability**