

ASSEMBLY INSTRUCTIONS

L SHAPED PLATFORM BED

Thank you for purchasing this quality product. Be sure to check all packing materials carefully for small parts which may have come loose inside the carton during shipment. Separate, identify and count all parts and hardware. Compare with the parts list to be sure all parts are present.

“DO NOT TIGHTEN SCREWS UNTIL COMPLETELY ASSEMBLED”

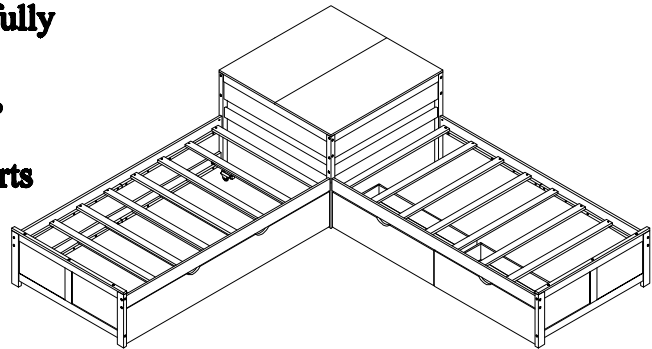
SIZE OF MATTRESS AND FOUNDATION (SUPPO

This bed is designed to use a twin mattress (37½"-38½"x74-75) and bunkie board (37½ x74). The total thickness must not exceed 8" inches. Do not use mattress without the proper bunkie board of safe foundation.

Note: There must be at least 5" inches from top surface of mattress to top edge or guardrails.

REPLACEMENT PARTS.

Replacement parts, including additional guardrails, may be obtained from place of purchase or original distributor.



SAFETY WARNINGS!

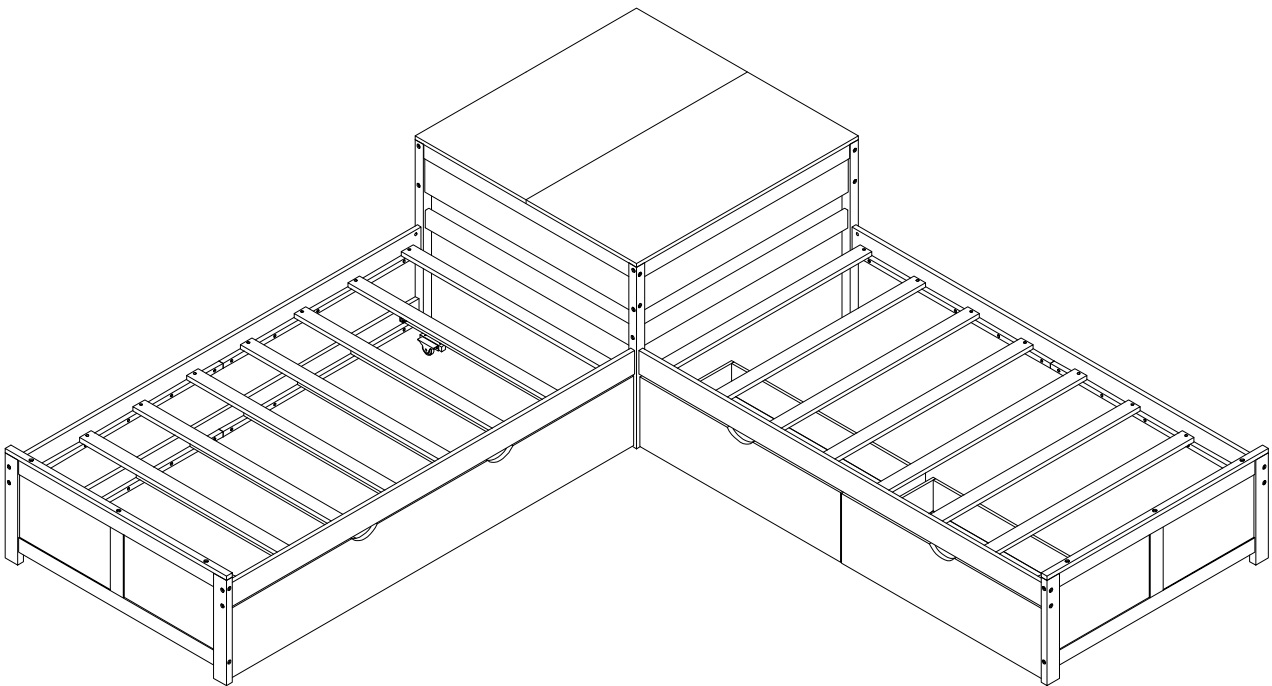
- 1- Follow the information on the warning label appearing on the upper bunk end structure and on the carton. Do not remove warning label from bed.
- 2- Always use the recommended size mattress or mattress support, or both, to help prevent the likelihood of entrapment or falls.
- 3- Surface of mattress must be at least 5 inches below the upper edge of guardrails.
- 4- Do not allow children under 6 years of age to use the upper bunk.
- 5- Prohibit more than one person on upper bunk.
- 6- Periodically check and ensure that the guardrail, ladder and other components are in their proper position free from damage, and that all connectors are tight.
- 7- Do not allow horseplay on or under the bed and prohibit jumping on the bed.
- 8- Always use the ladder for entering and leaving the upper bunk.
- 9- Do not use substitute parts. Contact distributor or dealer for replacement parts.
- 10- Use of a night light may provide added safety precaution for a child using the upper bunk.
- 11- If the bunk bed will be placed next to a wall, the guardrail that runs the full length of the bed should be placed against the wall to prevent entrapment between the bed and the wall.
- 12- Always use guardrails on both long sides of the upper bunk.
- 13- The use of water or sleep flotation mattresses is prohibited.
- 14- Keep these instructions for future reference.
- 15- Strangulation Hazard - Never attach or hang items to any part of the bunk bed that are not designed for use with the bed: for example, but not limited to, hooks, belts, and jump ropes, etc.



IMPORTANT: PLEASE READ INSTRUCTIONS BEFORE STARTING THE ASSEMBLY

ASSEMBLY INSTRUCTIONS

L SHAPED PLATFORM BED

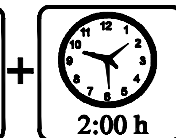
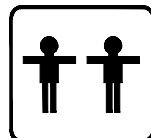
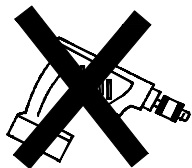


Thank you for purchasing this quality product. Be sure to check all packing material carefully for small parts which may have come loose inside the carton during shipment. Separate, identify and count all parts and hardware.

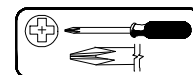
Compare with the parts list to be sure all parts are present.

"DO NOT TIGHTEN SCREWS UNTIL COMPLETELY ASSEMBLED"

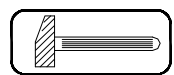
- Use of power tool to assemble this product will invalidate any claim and damage this product making unsafe !!!
- Please assemble on a clean soft surface to avoid damage.



Tools Required



(Not included)

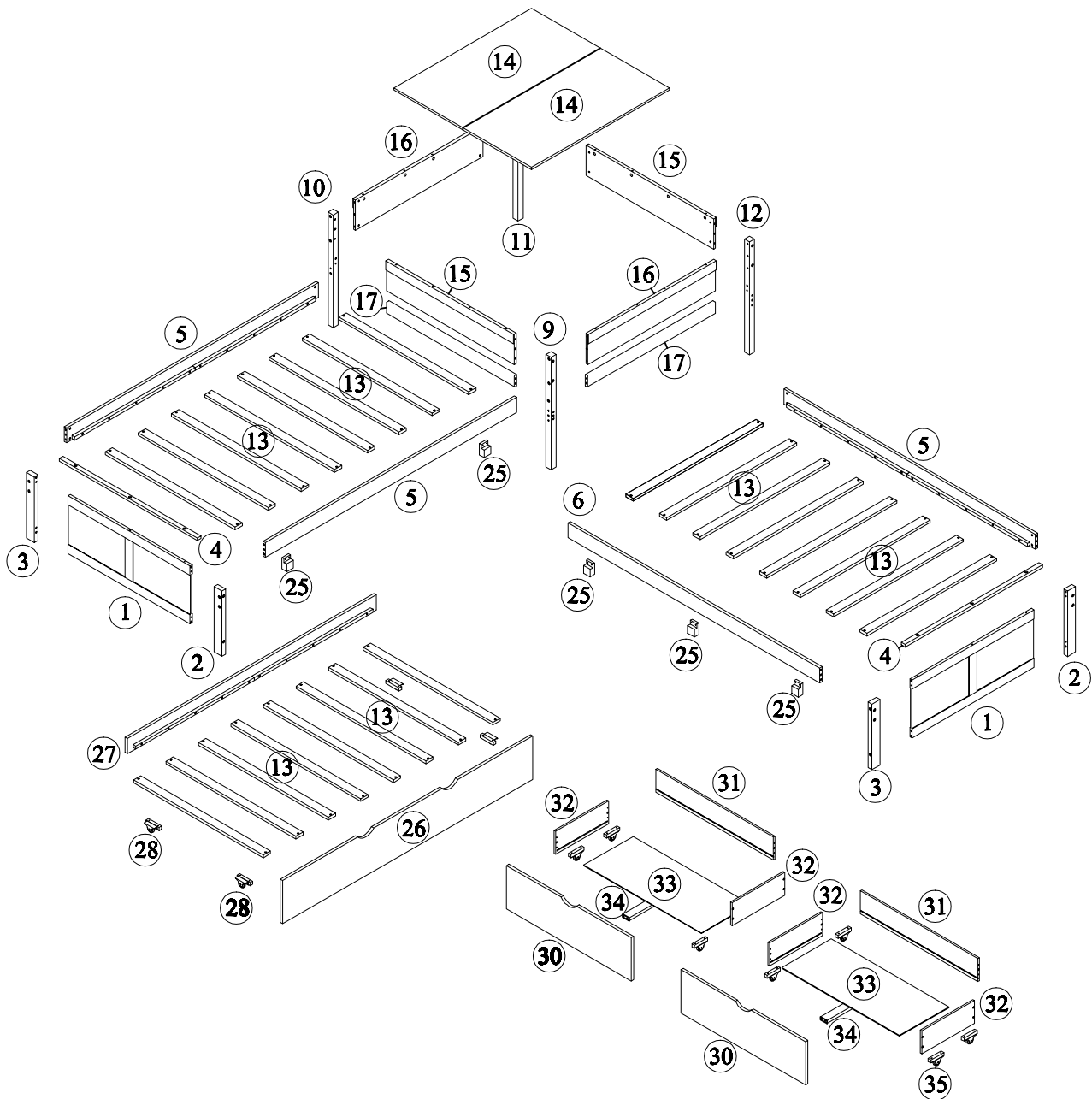


(Not included)

IMPORTANT:

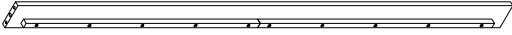
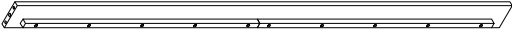
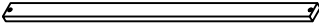
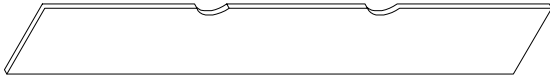
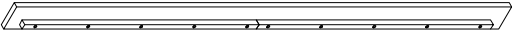
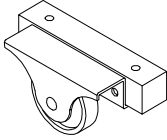
PLEASE READ INSTRUCTION BEFORE STARTING THE ASSEMBLY

Detail View - L SHAPED PLATFORM BED

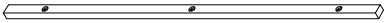

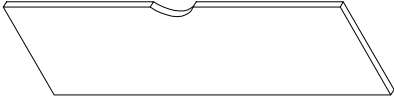

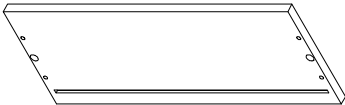

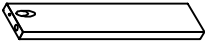


Identifying the Hardware - Identify the hardware using the illustrations below.

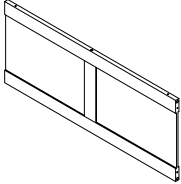


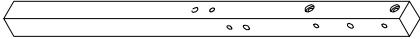
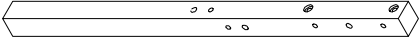
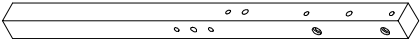
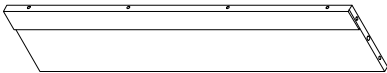
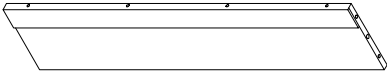
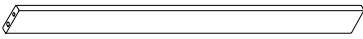
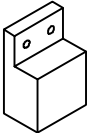
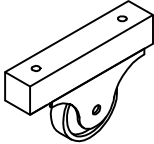
Part List

<p>5</p>  <p>Bed side plate - 3pc</p>	<p>6</p>  <p>Bed side plate - 1pc</p>
<p>13</p>  <p>Bed board - 24pc</p>	<p>26</p>  <p>Front panel of trundle - 1pc</p>
<p>27</p>  <p>Back panel of trundle - 1pc</p>	<p>28</p>  <p>Wheels - 4pc</p>

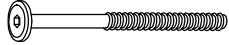



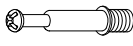



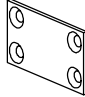

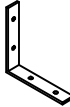
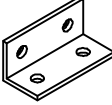

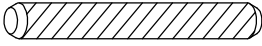

Part List

<p>4</p>  <p>Headboard cap - 2pc</p>	<p>14</p>  <p>Panel - 2pc</p>
<p>30</p>  <p>Drawer face plate - 2pc</p>	<p>31</p>  <p>Drawer back side plate - 2pc</p>
<p>32</p>  <p>Drawer side plate - 4pc</p>	<p>33</p>  <p>Drawer bottom plate - 2pc</p>
<p>34</p>  <p>Bottom plate reinforcing strip - 2pc</p>	

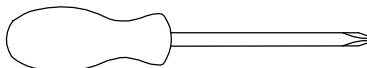
Part List

<p>1</p>  <p>Headboard - 2pc</p>	<p>2</p>  <p>Bed column - 2pc</p>
<p>3</p>  <p>Bed column - 2pc</p>	<p>9</p>  <p>Left Front mid legs - 1pc</p>
<p>10</p>  <p>Left rear mid legs - 1pc</p>	<p>11</p>  <p>Right rear mid legs - 1pc</p>
<p>12</p>  <p>Right front mid legs - 1pc</p>	<p>15</p>  <p>Right + left plate - 2pc</p>
<p>16</p>  <p>Front + rear plate - 2pc</p>	<p>17</p>  <p>Bottom side - 2pc</p>
<p>25</p>  <p>Trundle stopper - 5pc</p>	<p>35</p>  <p>Wheels - 8pc</p>

Hardware List

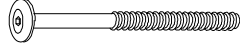
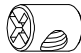
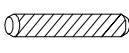
<p>A</p>  <p>ø13x1/4"x80mm</p>	<p>B</p>  <p>ø13x1/4"x30mm</p>	<p>C</p>  <p>ø13*1/4"x80mm</p>
<p>Hex-Head bolts(36pcs)</p>	<p>Hex-Head screw(6pcs)</p>	<p>Hex-Head screw(8pcs)</p>
<p>D</p>  <p>ø10x13mm</p>	<p>E</p>  <p>ø6x35mm</p>	<p>F</p>  <p>ø14.5x12mm</p>
<p>Horizontal-Hole bolts(36pcs)</p>	<p>Three in one bolts(16pcs)</p>	<p>Three in one lock(16pcs)</p>
<p>G</p>  <p>ø8xø4x30mm</p>	<p>H</p>  <p>ø8xø4x25mm</p>	<p>I</p> 
<p>Round head screw(72pcs)</p>	<p>Round head screw(28pcs)</p>	<p>Connecting iron sheet(3pcs)</p>
<p>J</p>  <p>ø7xø3.5x15mm</p>	<p>K</p> 	<p>L</p> 
<p>Flat head screw(12pcs)</p>	<p>L-Bracket (2pc)</p>	<p>L-Bracket (2pc)</p>
<p>M</p>  <p>ø7xø3.5x15mm</p>	<p>N</p>  <p>ø10x40mm</p>	<p>O</p>  <p>4mm</p>
<p>Flat head screw(16pcs)</p>	<p>Wood dowel(36pcs)</p>	<p>Allen key(1pcs)</p>

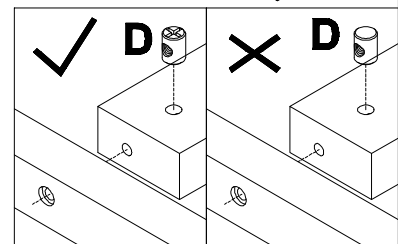
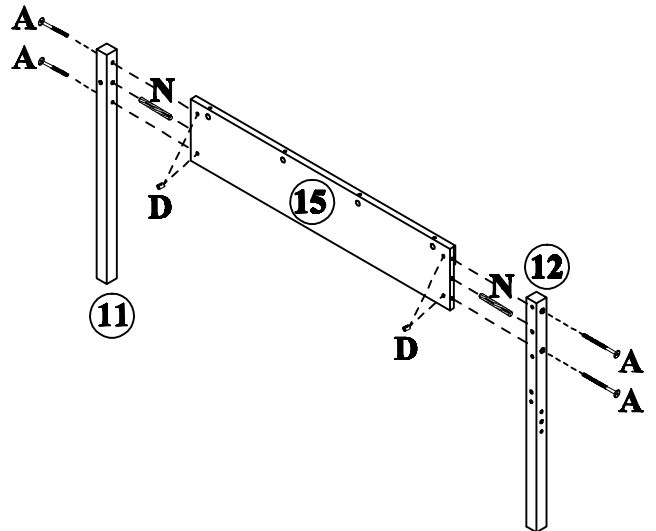
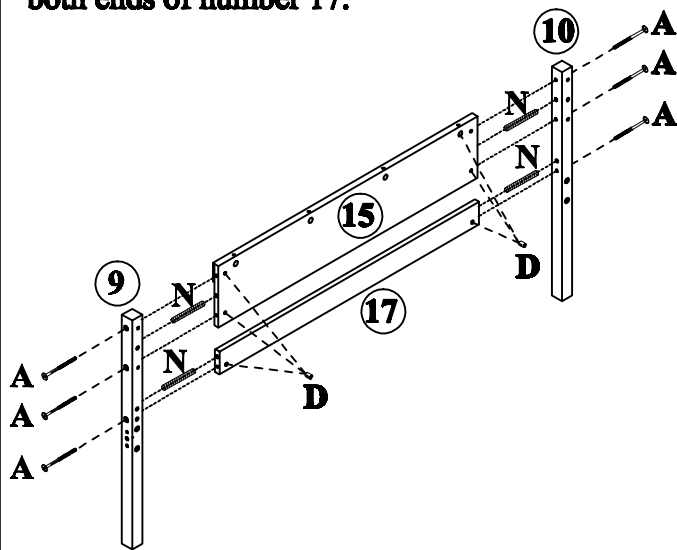
ASSEMBLY TOOLS REQUIRED (NOT INCLUDED)



STEP: 1

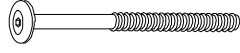

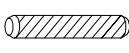
1. Use a cross screwdriver to insert the circular nut with number D into the circular hole. Pay attention to the horizontal hole position of the circular nut, so that the screw with number A can be fixed smoothly through the nut.
2. Two round nuts with number D should be placed at both ends of number 15, and one round nut with number D should be placed at both ends of number 17.

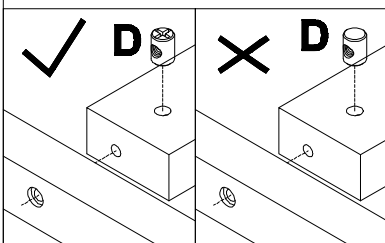
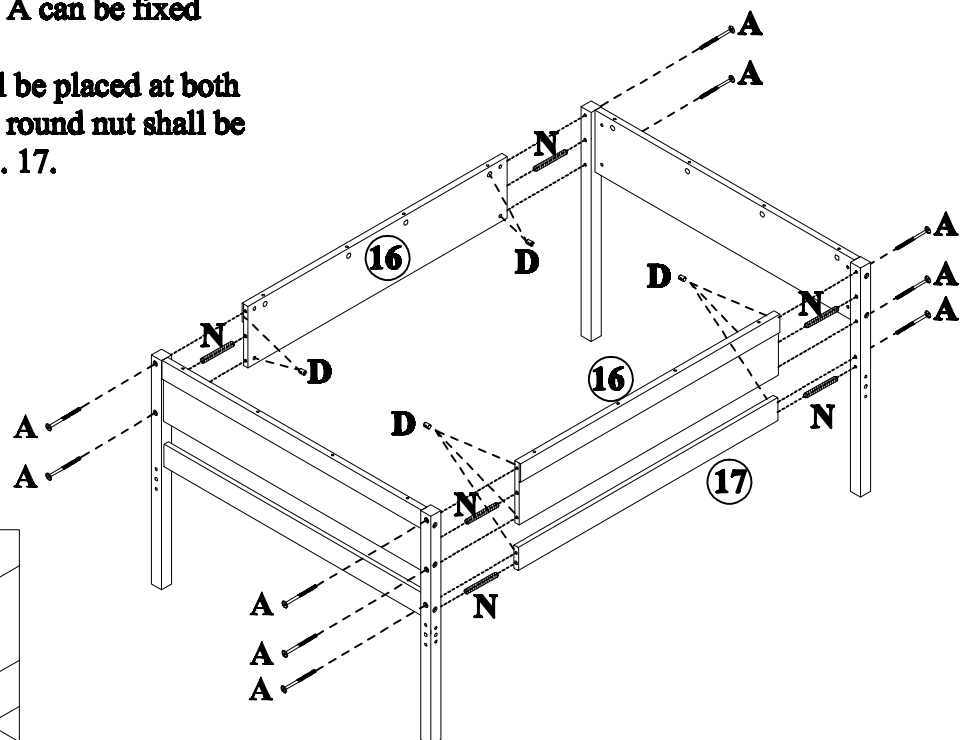
A	D	N
		
10PCS	10PCS	6PCS



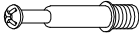
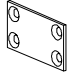

STEP: 2

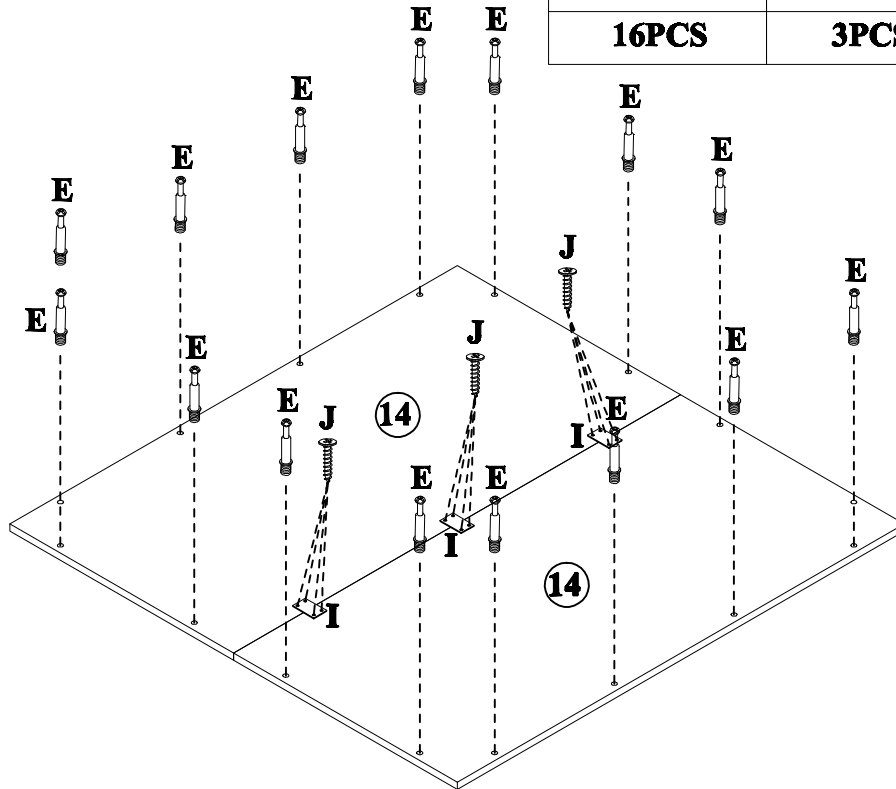
1. Insert the round nut No. D into the round hole with A cross screwdriver. Pay attention to the horizontal hole position of the round nut, so that the screw No. A can be fixed smoothly through the nut.
2. Two D round nuts shall be placed at both ends of No. 16 and one D round nut shall be placed at both ends of No. 17.

A	D	N
		
10PCS	10PCS	6PCS




STEP: 3

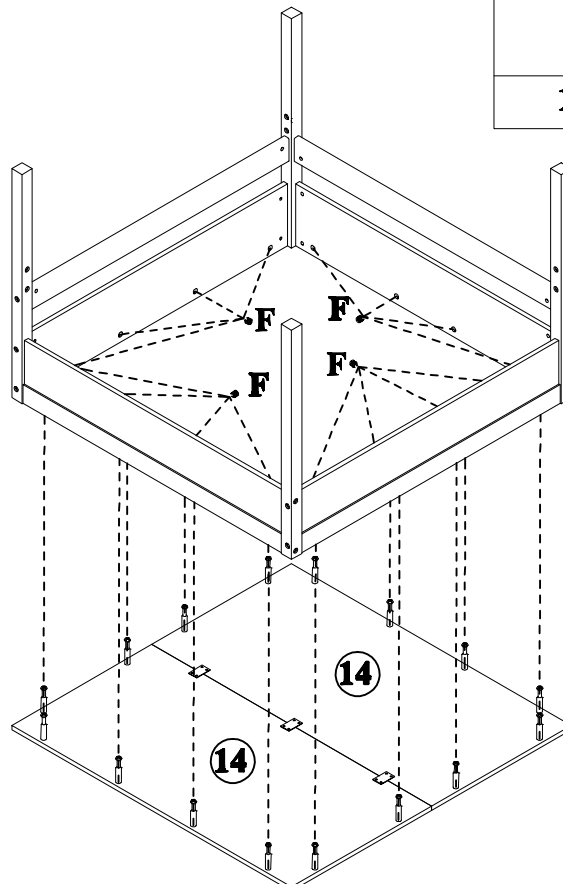
E	I	J
		
16PCS	3PCS	12PCS




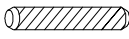
STEP: 4

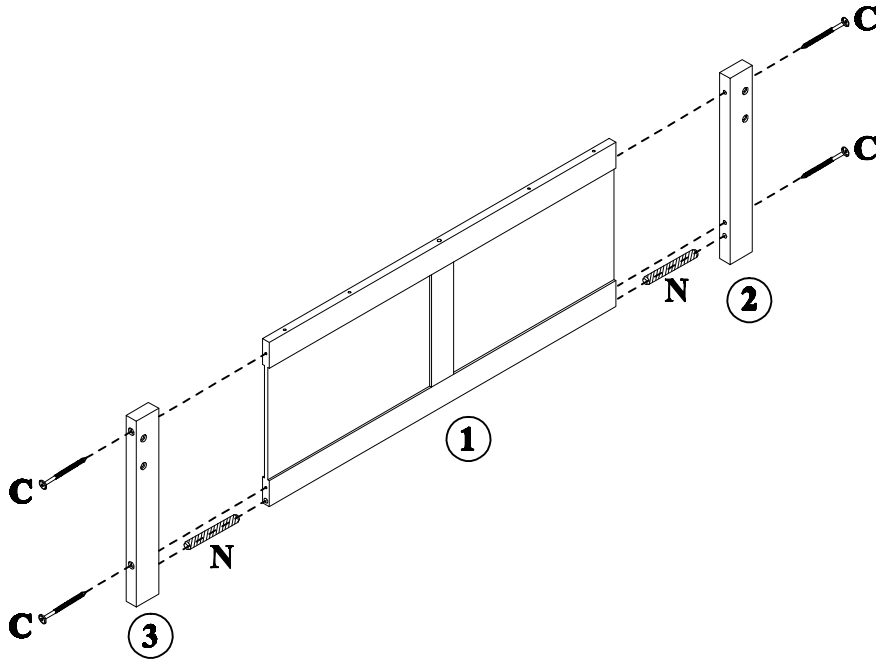
1. We need to turn over the installed table, and then put the three in one screw on the table corresponding to the pre drilling position on the table.
2. use f-no. 3-in-1 cross round buckle and lock the lock with cross screwdriver to facilitate the table and panel fixation.

F	
16PCS	





STEP: 5

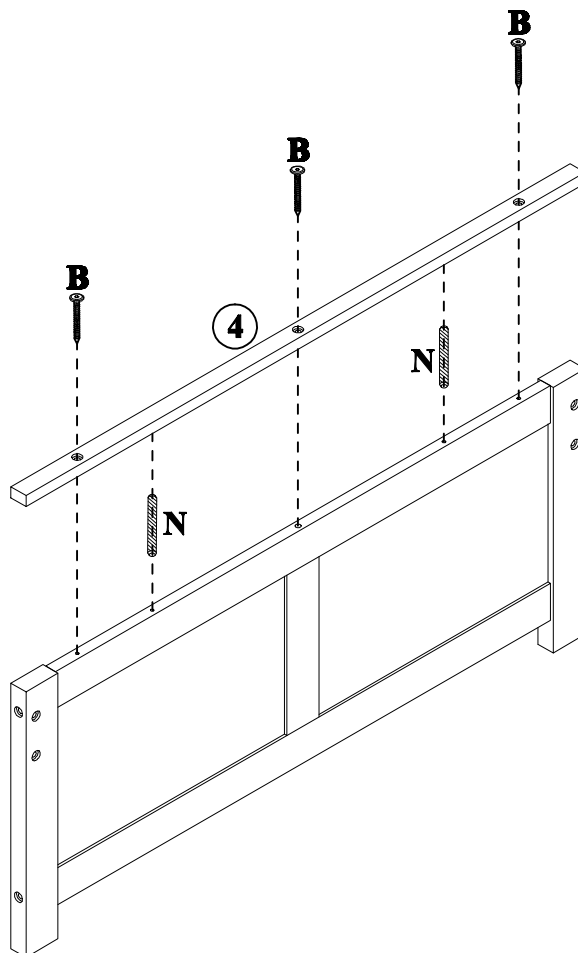
C	N
	
8PCS	4PCS



X 2

STEP: 6

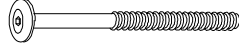

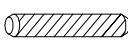
B	N
	
6PCS	4PCS

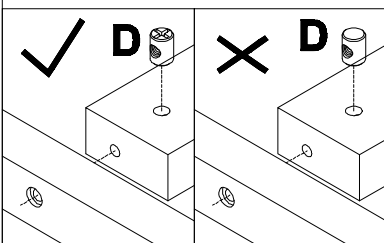
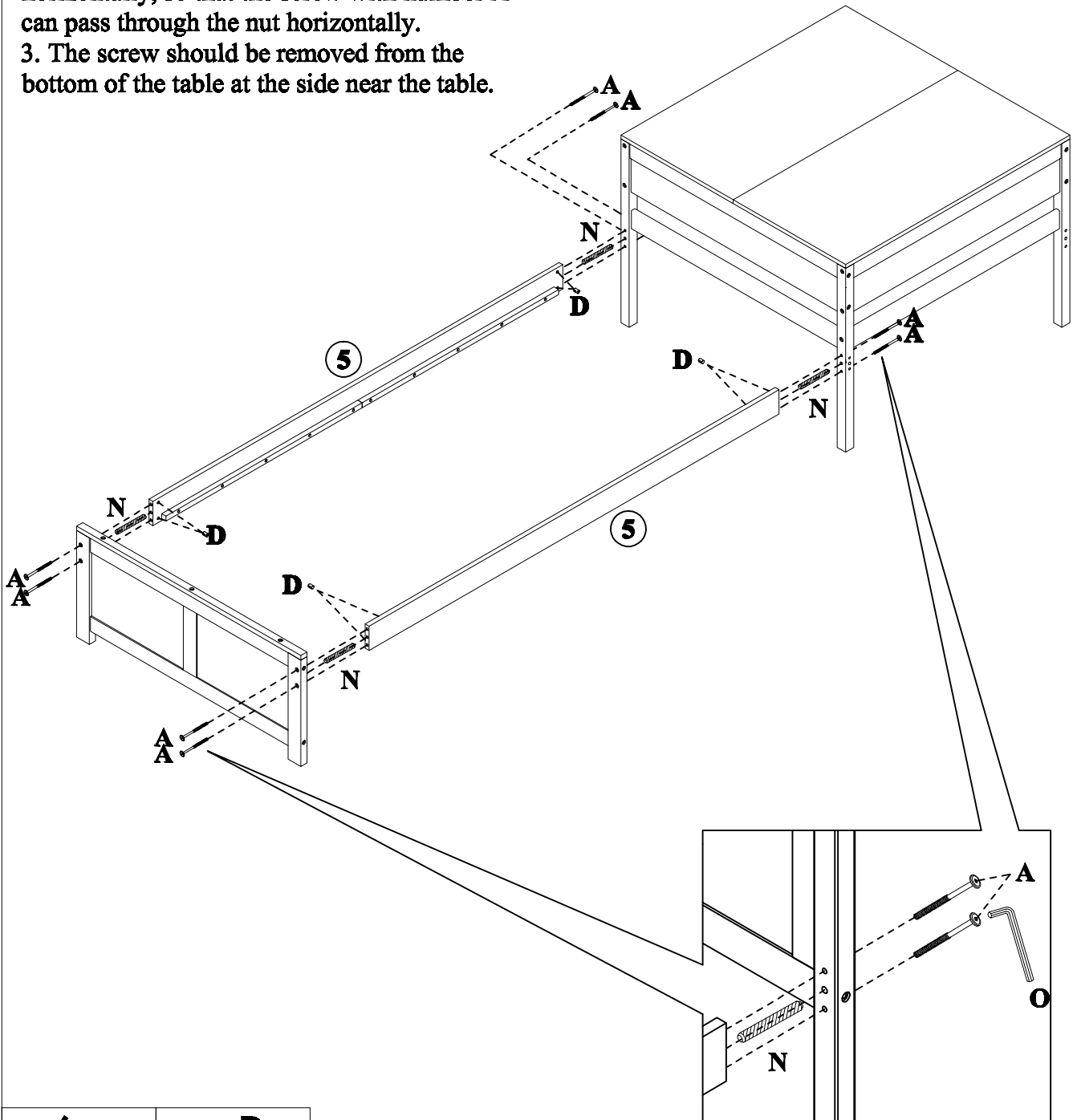


X 2

STEP: 7

1. First use the number N to connect the bedside and bedside in series, so that we can better fix the screw.
2. Use a cross screwdriver to put the circular nut with number D into the pre drilled hole. Note that the hole of the nut needs to be placed horizontally, so that the screw with number A can pass through the nut horizontally.
3. The screw should be removed from the bottom of the table at the side near the table.

A	D	N
		
8PCS	8PCS	4PCS

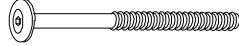

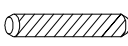


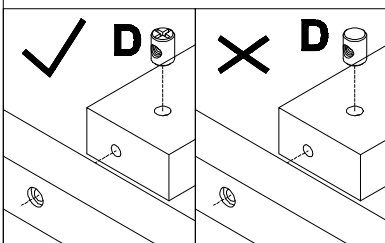
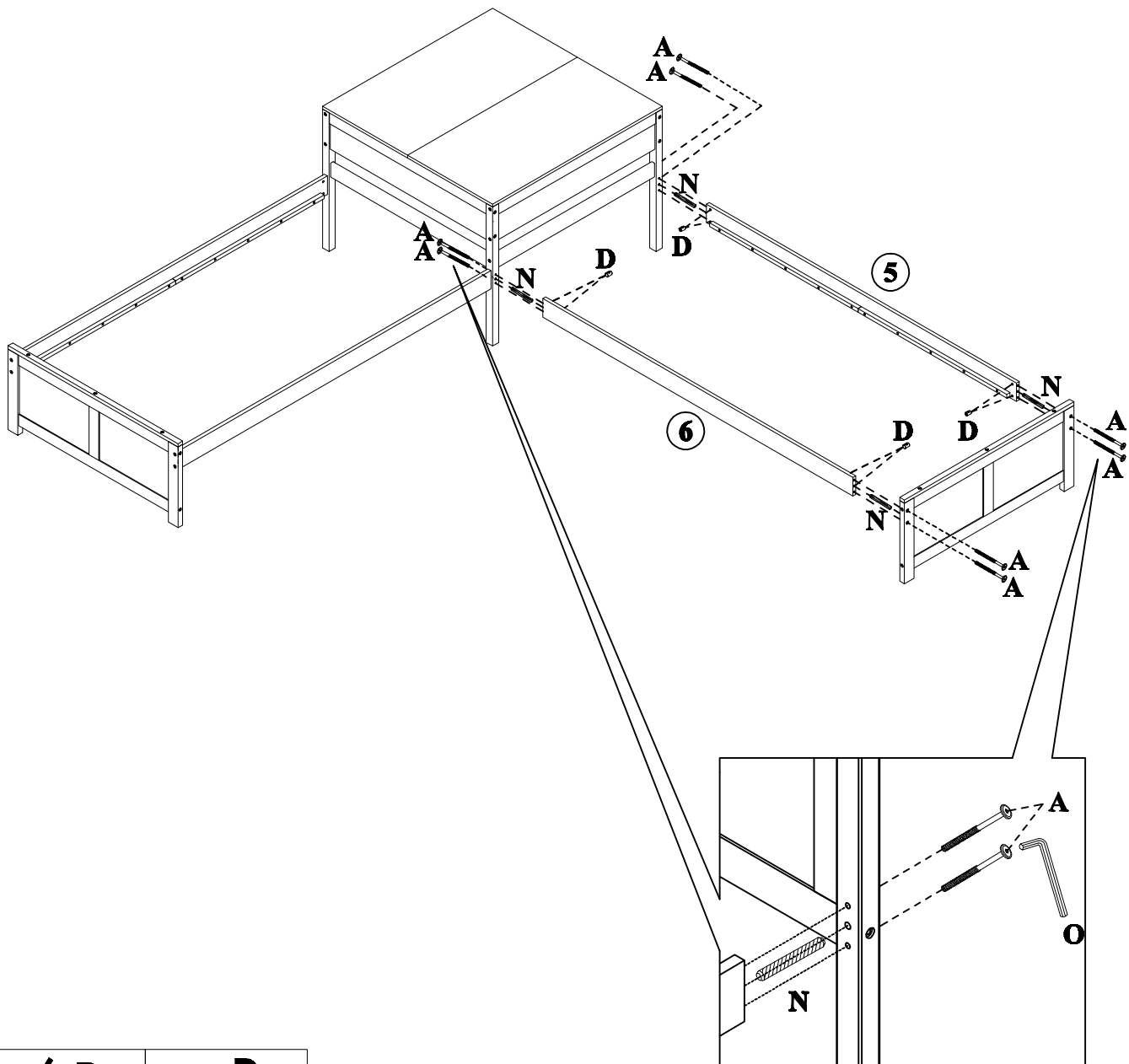
STEP: 8

1. First use the number N to connect the bedside and bedside in series, so that we can better fix the screw.

2. Use a cross screwdriver to put the circular nut with number D into the pre drilled hole. Note that the hole of the nut needs to be placed horizontally, so that the screw with number A can pass through the nut horizontally.

3. The screw should be removed from the bottom of the table at the side near the table.

A	D	N
		
8PCS	8PCS	4PCS

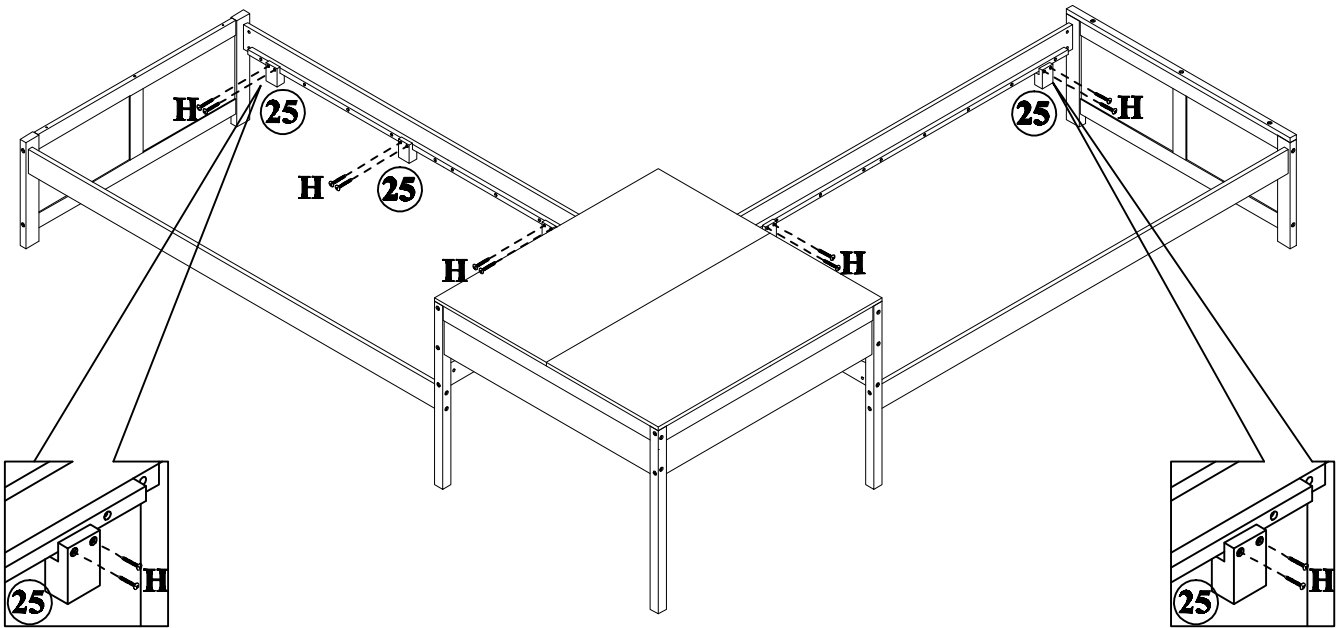


STEP: 9

H



10PCS

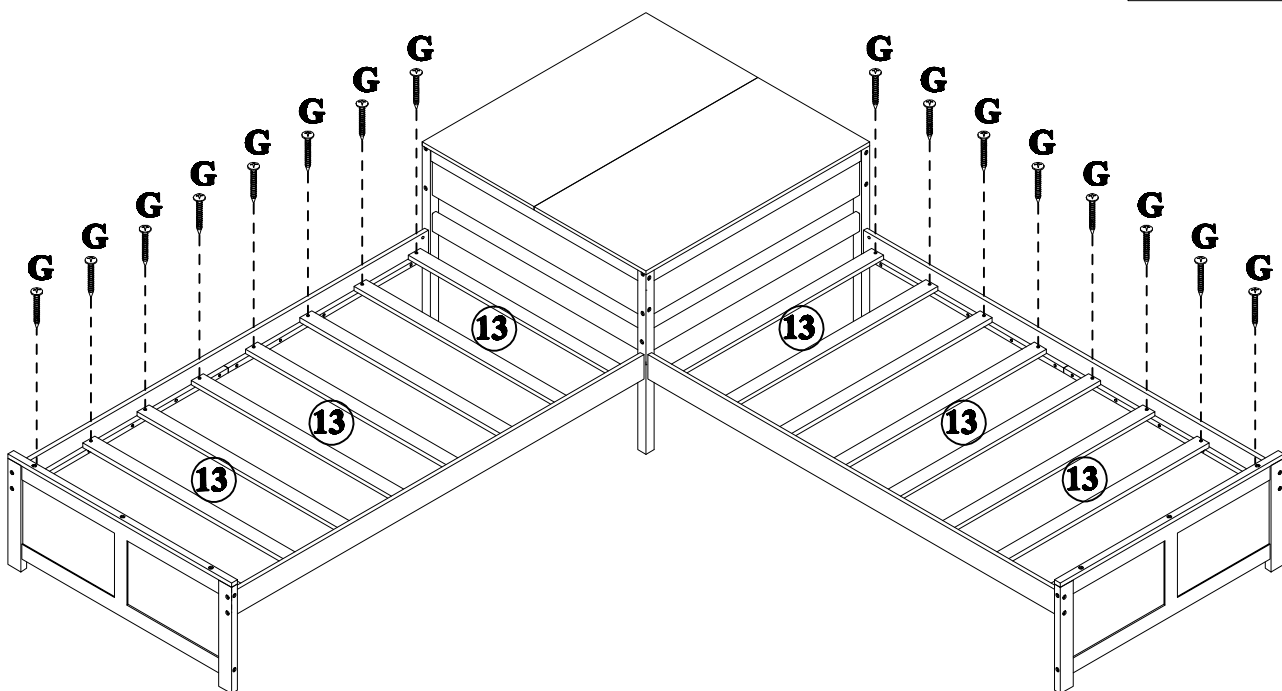


STEP: 10

G



32PCS

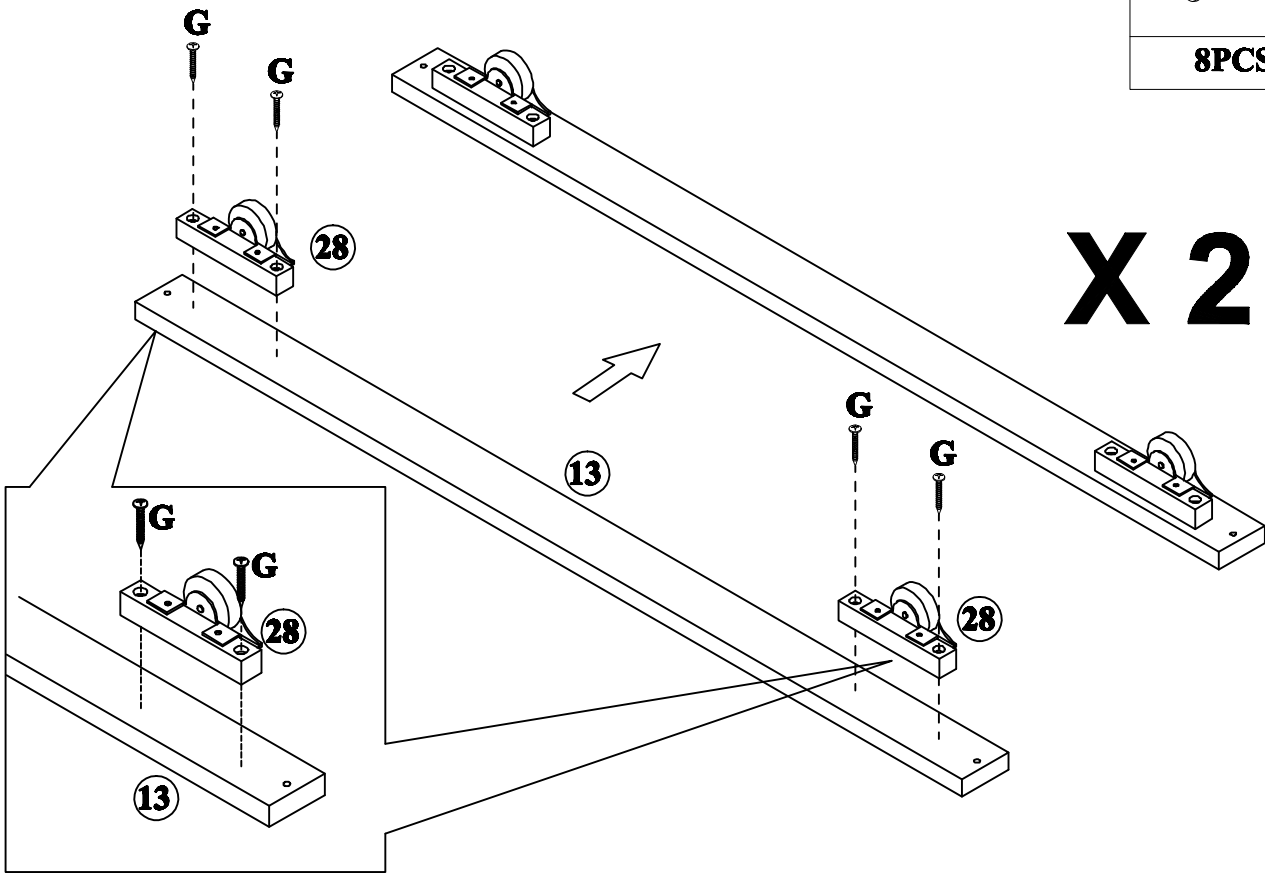


STEP: 11

G



8PCS

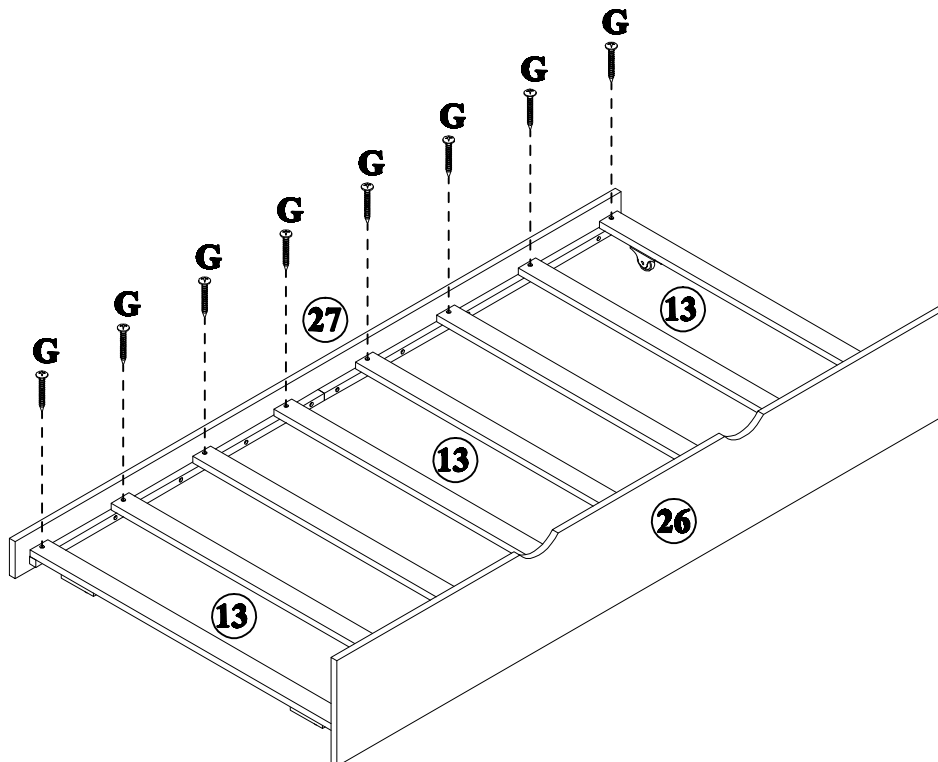


STEP: 12

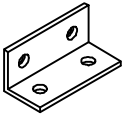
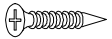
G

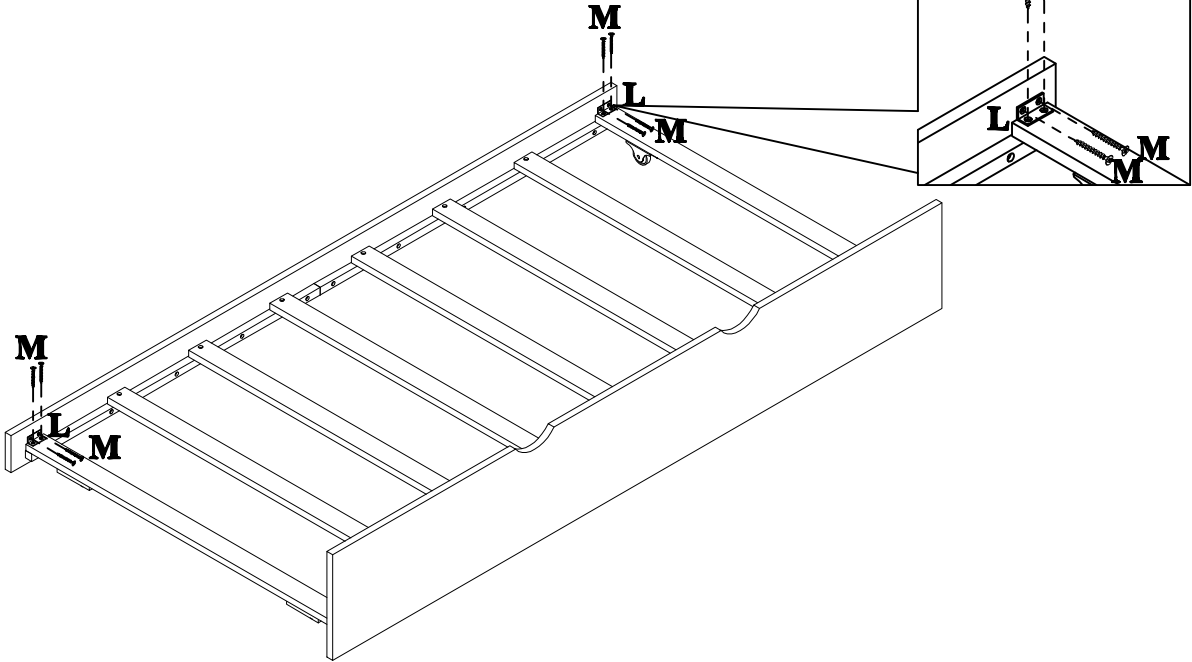


16PCS

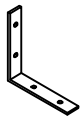
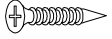


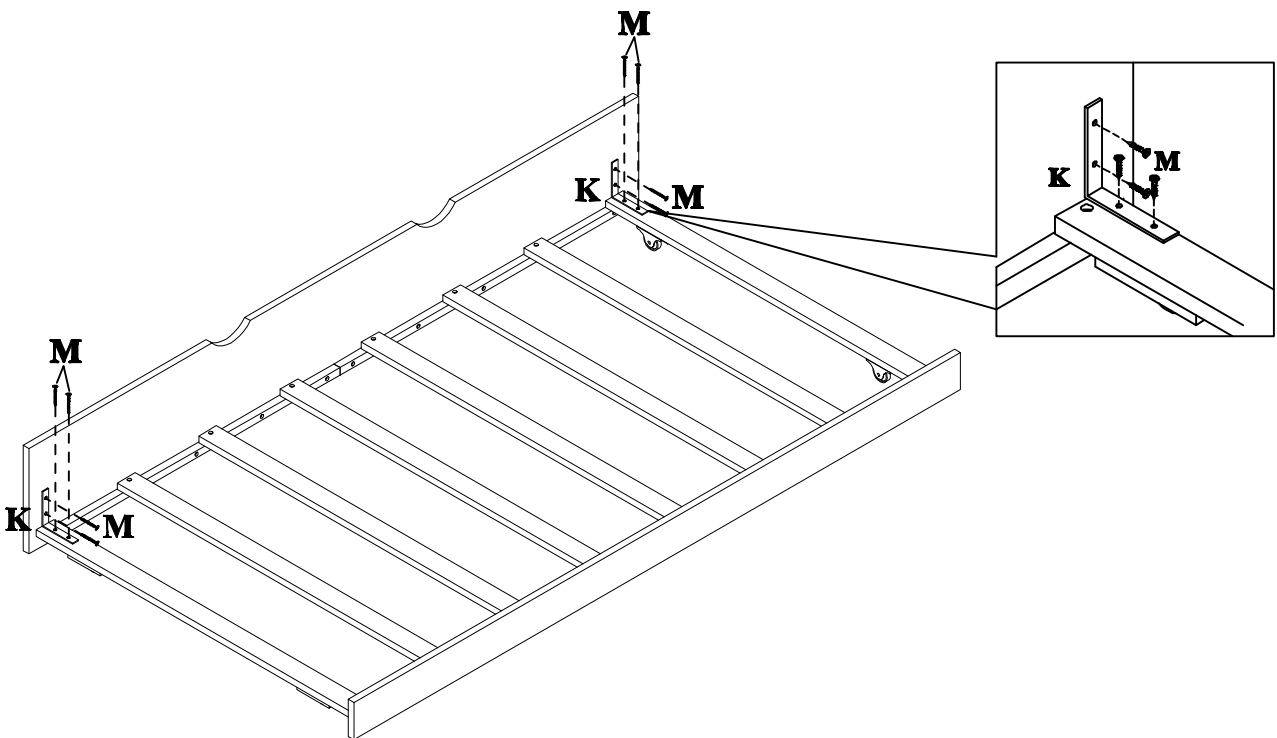
STEP: 13

L		M	
2PCS		8PCS	

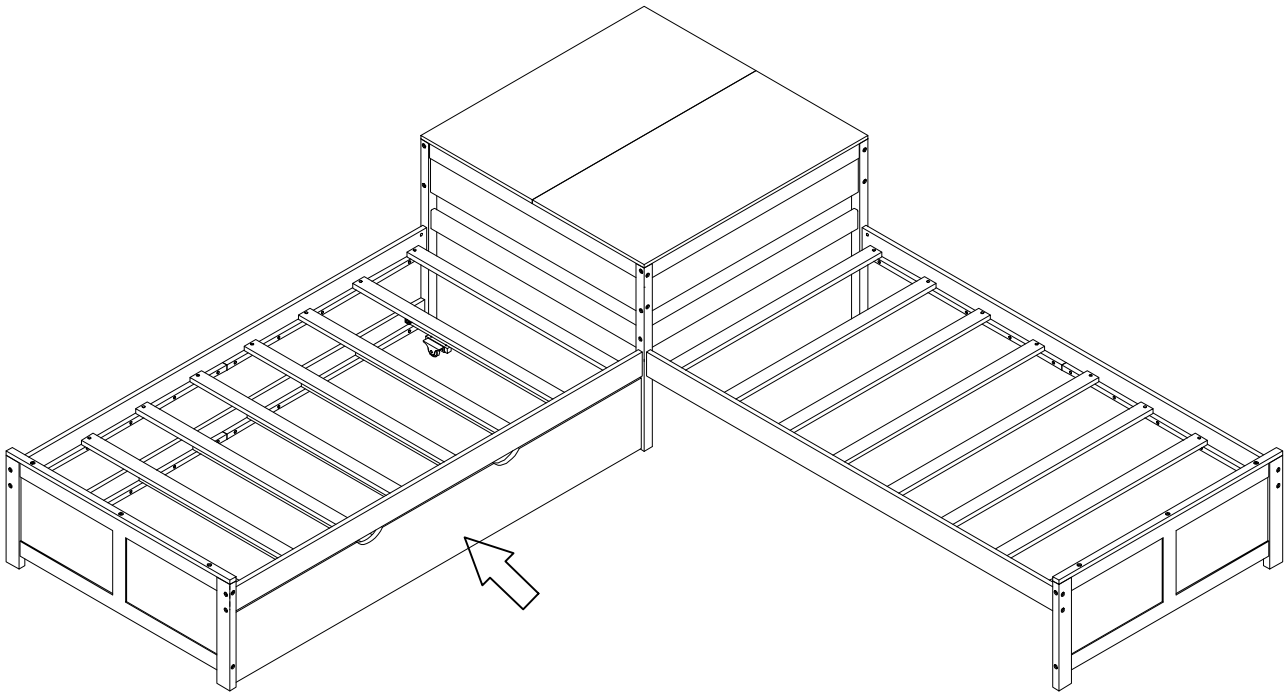


STEP: 14

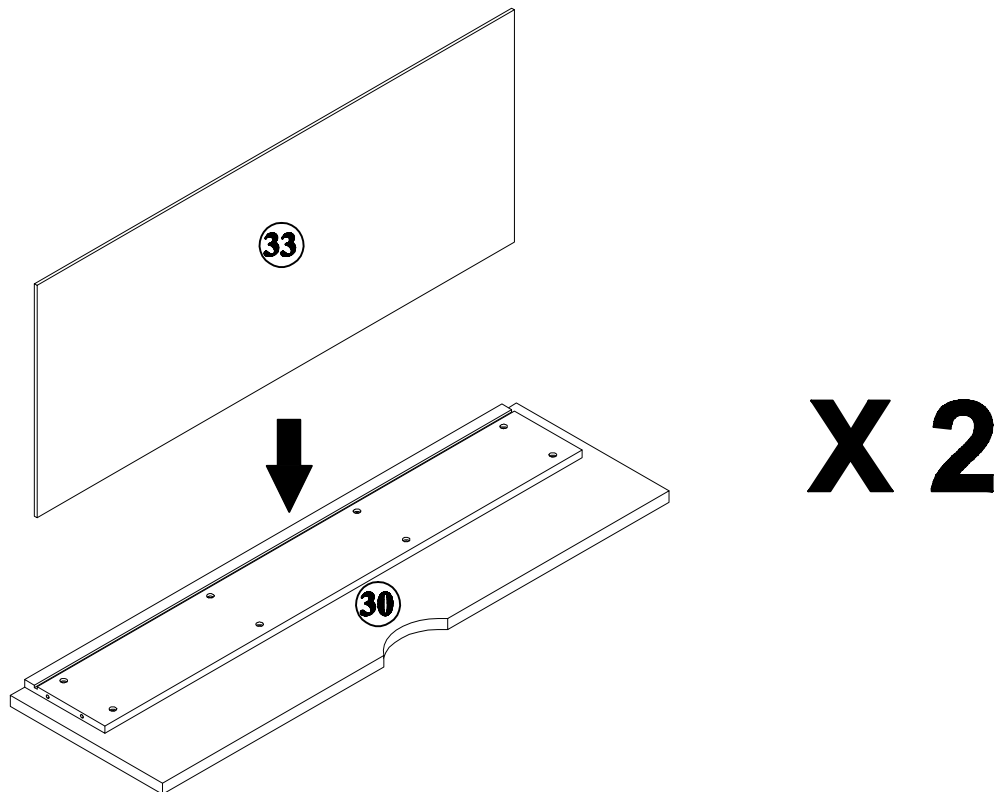
K		M	
2PCS		8PCS	



STEP: 15



STEP: 16

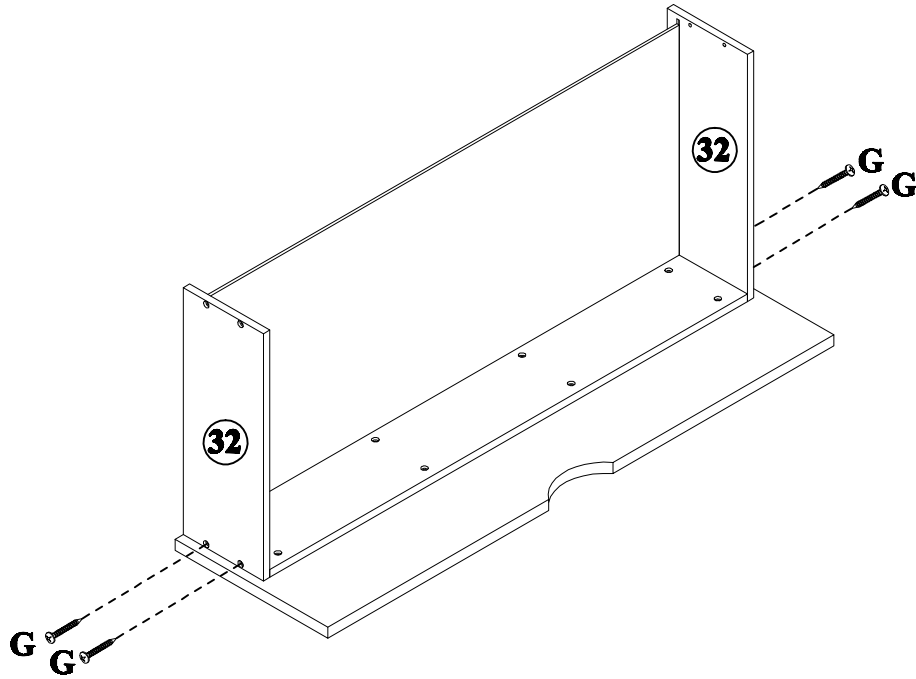


STEP: 17

G



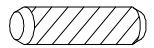
8PCS



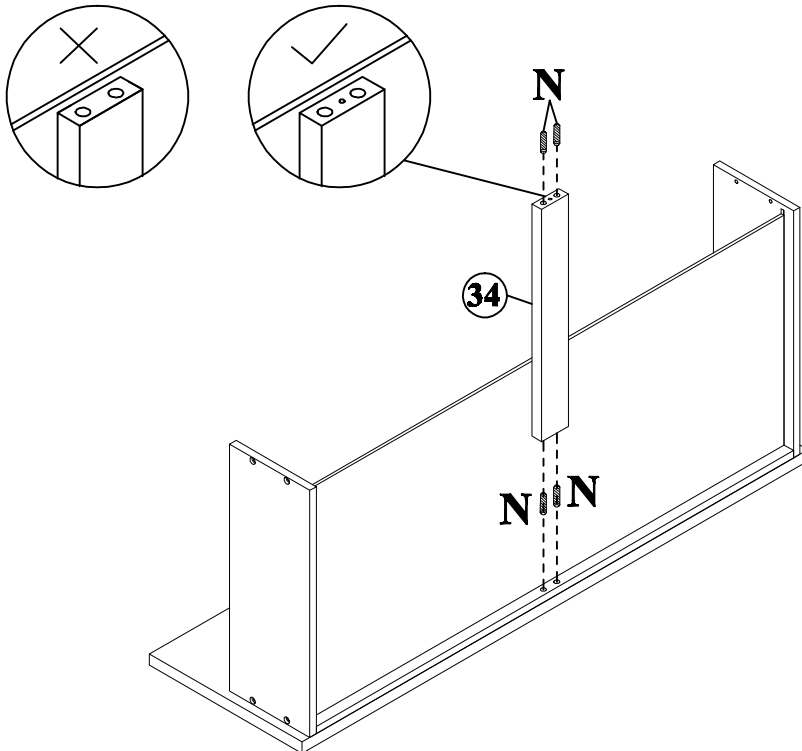
X 2

STEP: 18

N





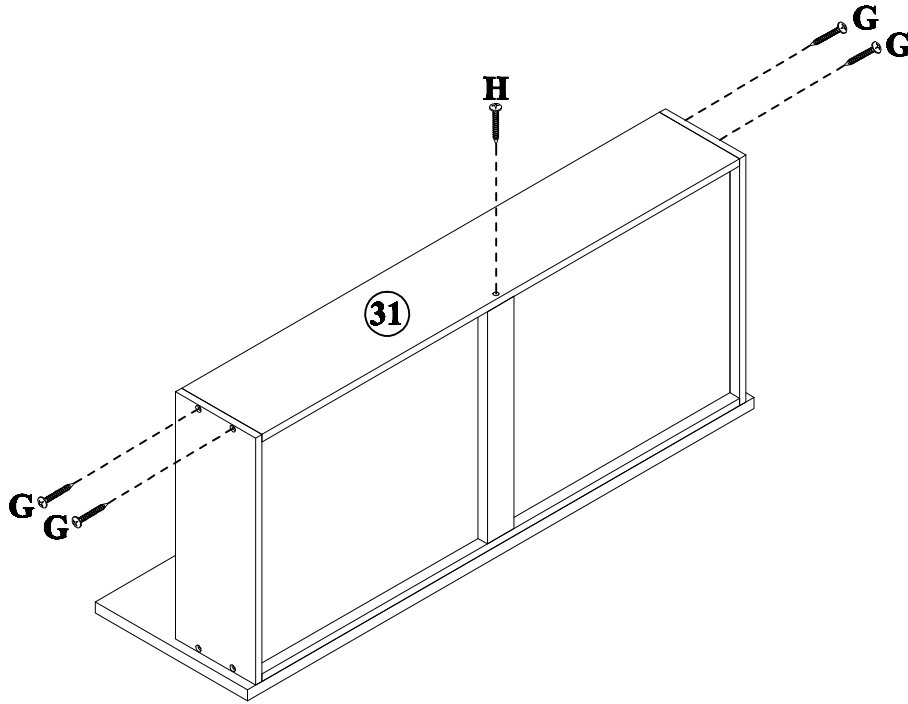
8PCS



X 2

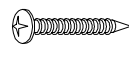
STEP: 19

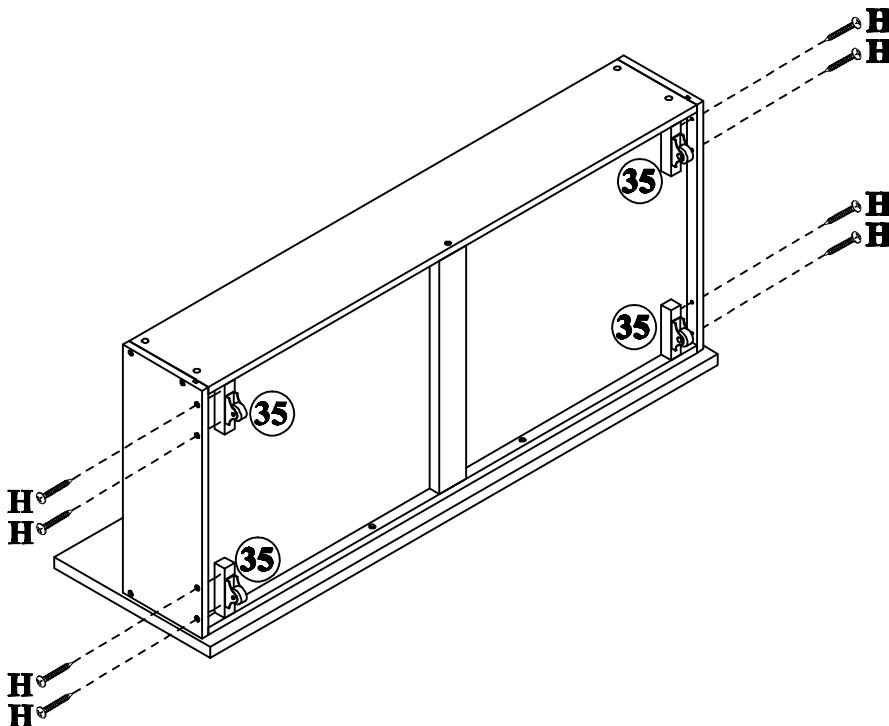
G		H	
8PCS		2PCS	



X 2

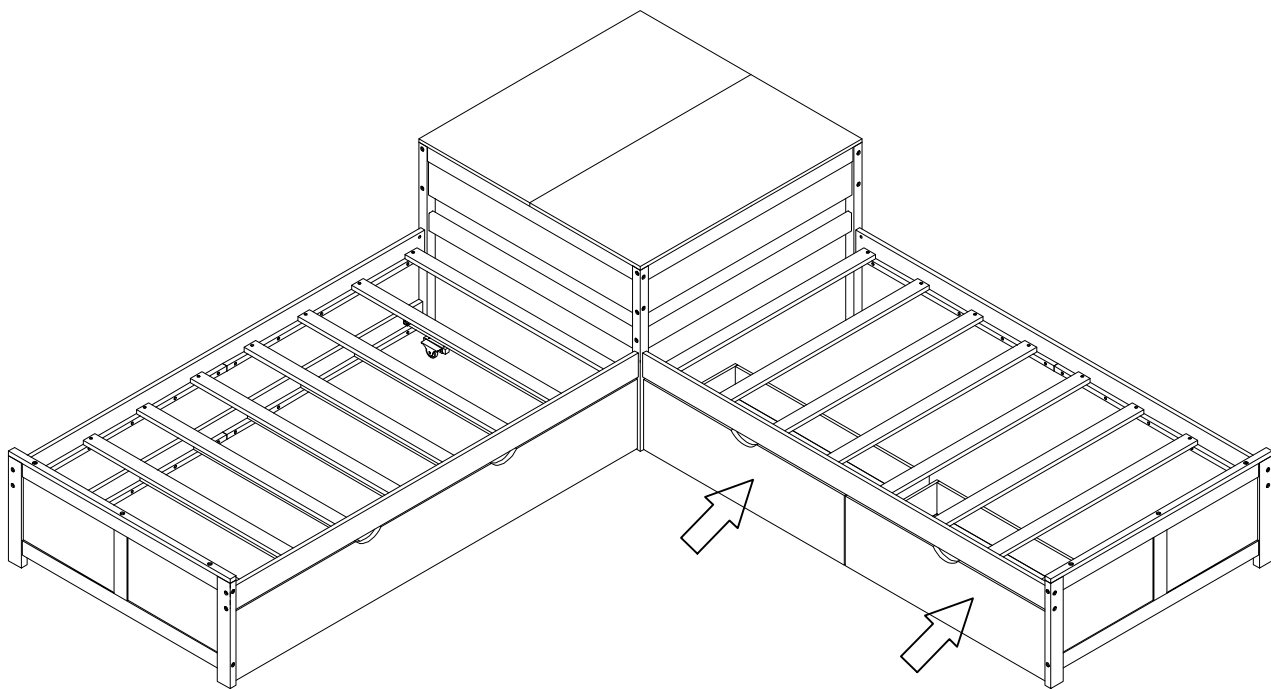
STEP: 20

H	
16PCS	



X 2

STEP: 21



STEP:22

