

ASSEMBLY INSTRUCTIONS



Fine Furniture for every stage of life

Dining Table Base

REVISION 0 : 08/15/2019
REVISION 1 : 02/23/2023
REVISION 2 : 03/08/2024
REVISION 3 : 04/22/2024
REVISION 4 : 08/27/2025

ASSEMBLY INSTRUCTIONS

ASSEMBLY TIPS:

1. Remove hardware from box and sort by size.
2. Please check to see that all hardware and parts are present prior to start of assembly.
3. Please follow attached instructions in the same sequence as numbered to assure fast & easy assembly.



WARNING!

1. Don't attempt to repair or modify parts that are broken or defective. Please contact the store immediately.
2. This product is for home use only and not intended for commercial establishments.

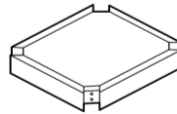


ASSEMBLY TIME

15 MINUTES

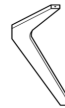
PARTS IDENTIFICATION

AN LEG SUPPORT FRAME



1PC

BN LEG



4PCS

CN DISC WITH BOLT



4SETS

HARDWARE IDENTIFICATION

1 BOLT
(M6 x 60mm - RBW)



8PCS

2 LOCK WASHER
(1/4" - RBW)



8PCS

3 FLAT WASHER
(1/4" - RBW)



8PCS

4 ALLEN WRENCH
(4mm - BLK)



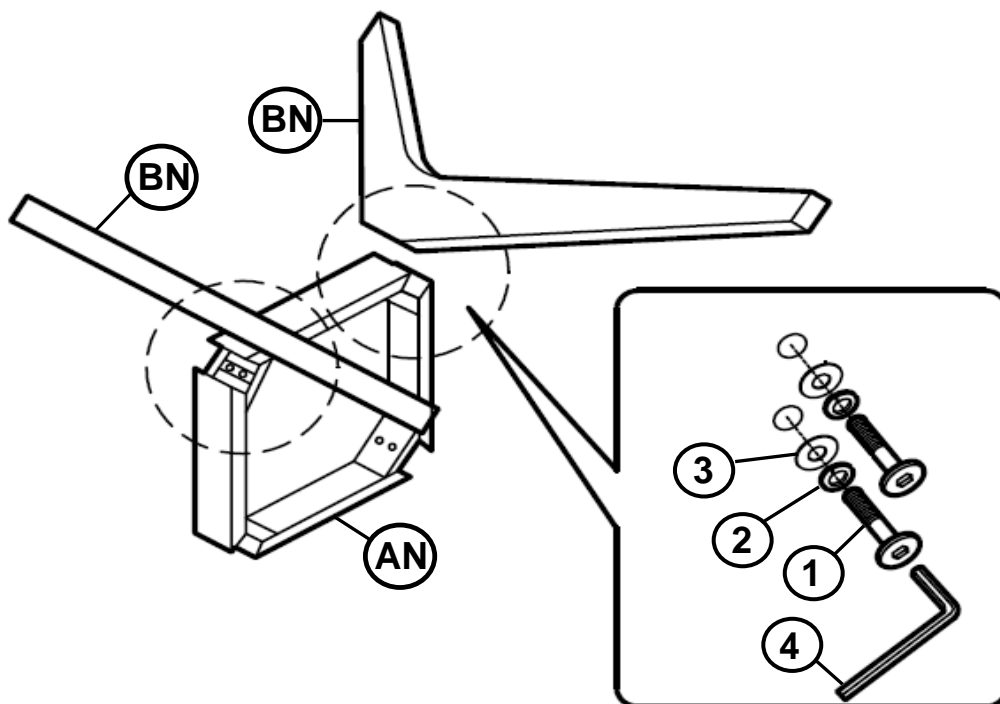
1PC

NOTE:

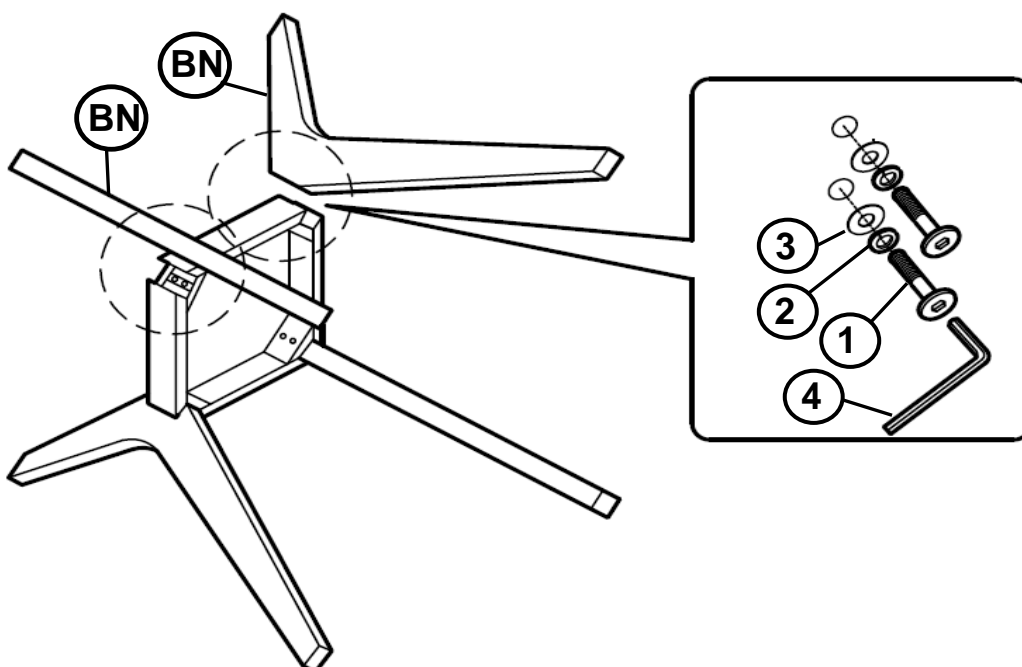
Phillips head screw driver is required in the assembly process; however, manufacturer does not provide this item.

ASSEMBLY INSTRUCTIONS

STEP 1

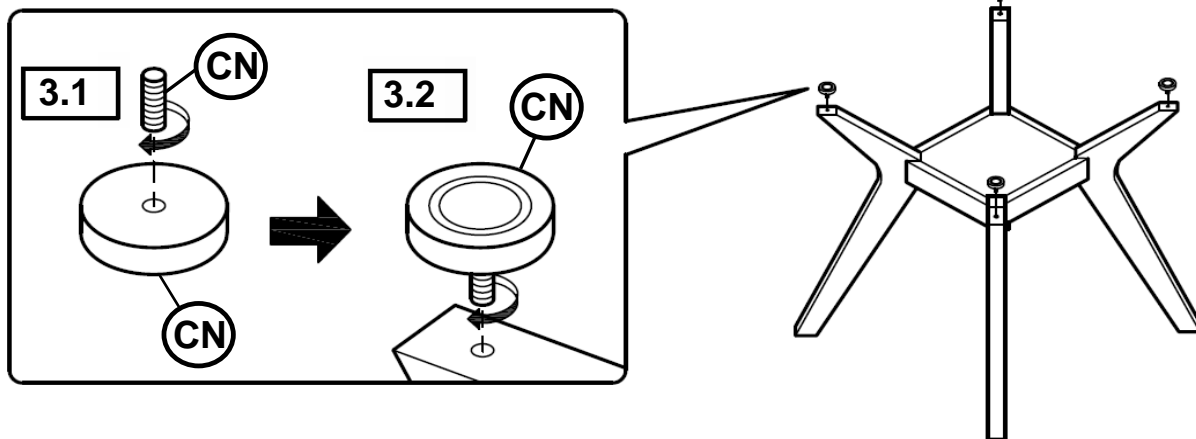


STEP 2

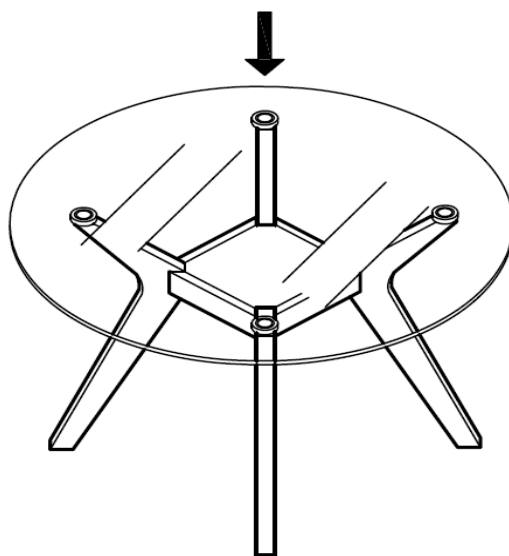


ASSEMBLY INSTRUCTIONS

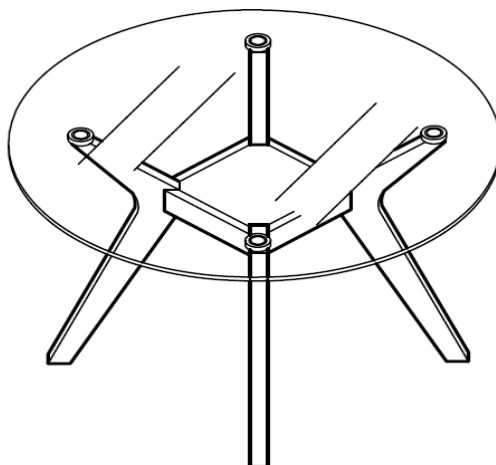
STEP 3



STEP 4

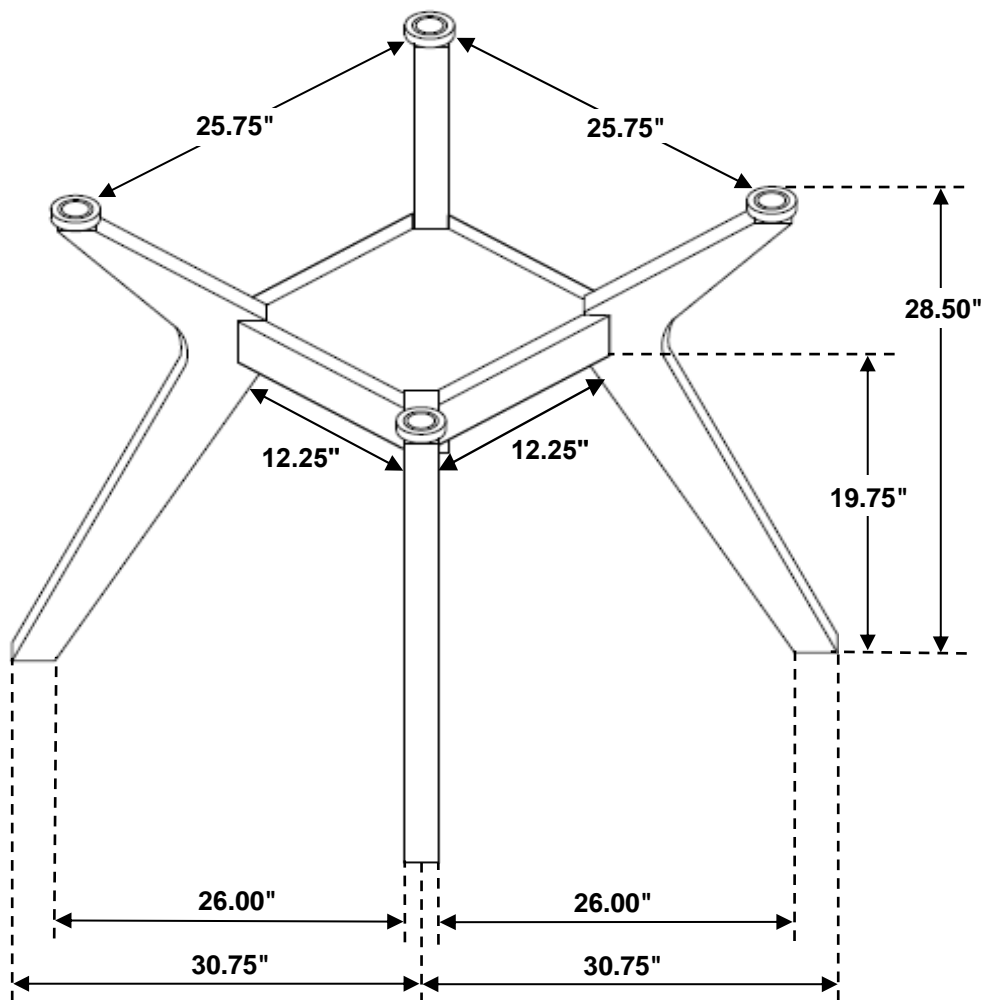


STEP 5 COMPLETE



NOTE : GLASS TOP NOT INCLUDED





Note : Dimension tolerance $\pm 5\%$