



Toccata™
Top-mount Kitchen Sink
K-3347L-4

Features

- 36-inch minimum base cabinet width.
- 19-gauge stainless steel.
- Top-mount.
- Double (high/low) bowl.
- 4-1/8-inch left depth and 7-inch right depth.
- With SilentShield® sound-absorption technology.
- Three faucet holes with one accessory hole to the right.
- 33" (838 mm) x 22" (559 mm)

Optional Accessories

- K-6139 Sponge Caddy
- K-8801 Sink Strainer
- 1177160 Hardware Kit; Top-mount

Components

- Product includes:
- 1177160 Hardware Kit; Top-mount



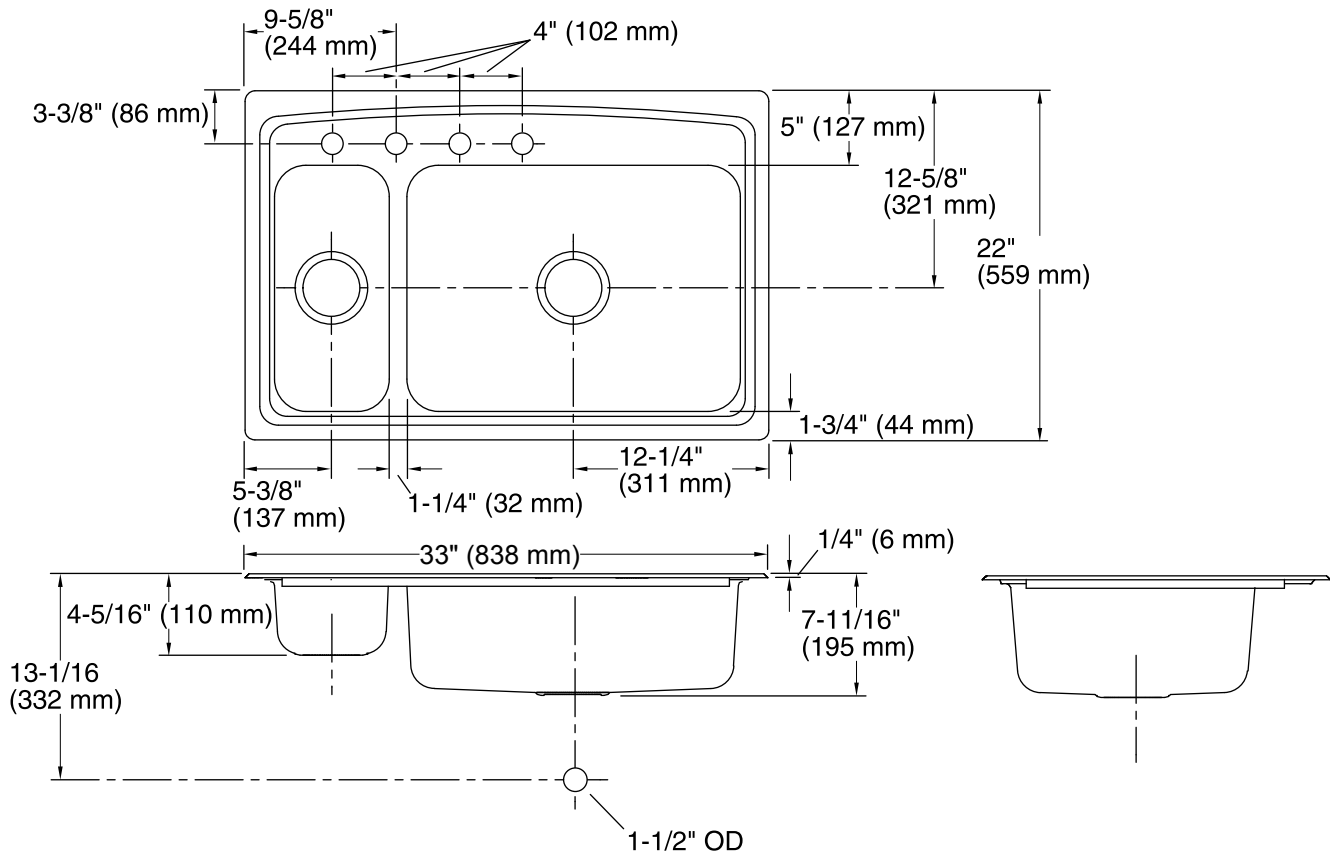
Codes/Standards

ASME A112.19.3/CSA B45.4

Lifetime Limited Warranty for

KOHLER® Stainless Steel Sinks

See website for detailed warranty information.



Technical Information

All product dimensions are nominal.

Bowl configuration:	High-low
Installation:	Top-mount
Cutout:	Top-mount, 32-1/2" x 21-1/2" (826 mm x 546 mm) with 1/2" (13 mm) radius corners
Bowl area (Right)	Length: 21" (533 mm) Width: 15-1/4" (387 mm) Bowl depth: 7" (178 mm)
Bowl area (Left)	Length: 7-1/4" (184 mm) Width: 15-1/4" (387 mm) Bowl depth: 4-1/8" (105 mm)
Number of deck holes:	4
Faucet hole(s):	1-7/16" (37 mm)
Drain hole:	3-5/8" (92 mm)

Notes

Install this product according to the installation guide.