

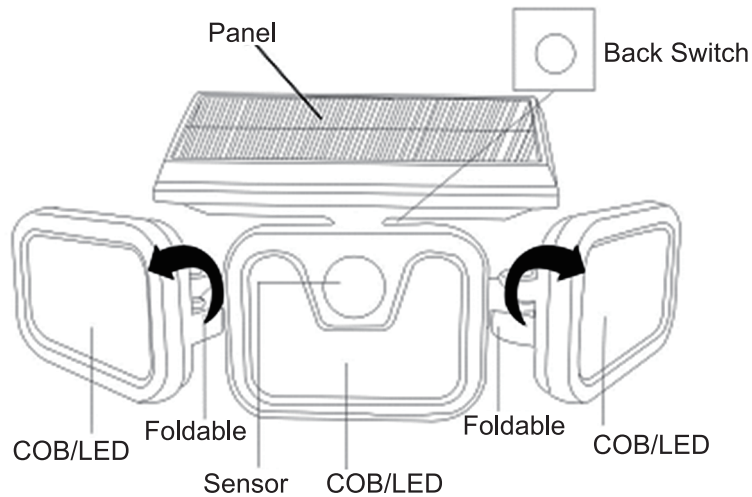
Welcome

Thanks for purchasing this **Three Heads Wall Light** of our company. Please read this user manual carefully before use.

Package List

Upon opening the package, please check for the following items:

- * 1 × Motion Sensor Light
- * 1 × Bag × Installing Screw
- * 1 × Mounting Bracket
- * 1 × User Manual



Specifications

- * Panel: 5V/1W Amorphous Silicon
- * LED Beads Quantity: 74Pcs LED Beads(26Pcs+22Pcs+26Pcs)
- * Light Battery: Inbuilt 2Pc 3.7V 1200mAh Rechargeable Li-ion battery (Overall 2400mAh)
- * Fully Charged Time: 8Hrs
- * Runtime: 8-10Hrs
- * Motion Sensor: 5m-8m/16.4ft-26.2ft
- * Motion Sensor Angle: 120 degree
- * Illumination Angle: 270 degree
- * Waterproof Performance: IP65
- * Brightness: 2000LM Max., 300LM Min.
- * Motion Sensor Lighting Duration: 30S
- * Optimal Mounting Height: 2-3m/6.56ft-9.84ft Above The Floor
- * Materials: ABS, PC
- * Panel Size: 7.4×11.5cm/2.92×4.53in

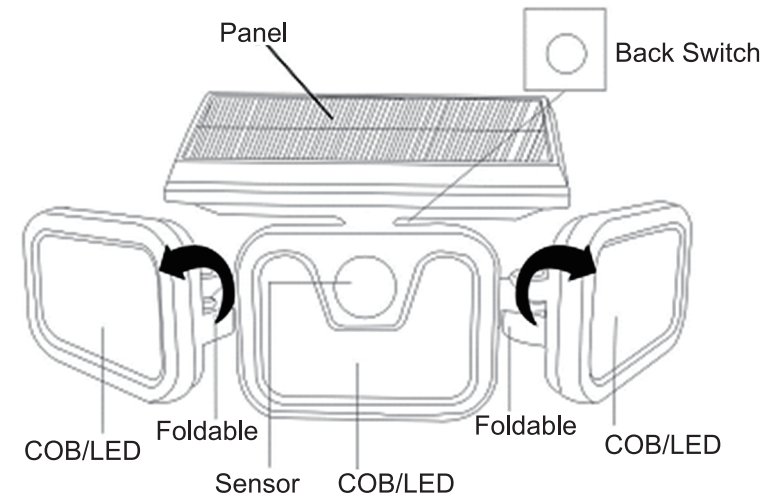
Welcome

Thanks for purchasing this **Three Heads Wall Light** of our company. Please read this user manual carefully before use.

Package List

Upon opening the package, please check for the following items:

- * 1 × Motion Sensor Light
- * 1 × Bag × Installing Screw
- * 1 × Mounting Bracket
- * 1 × User Manual

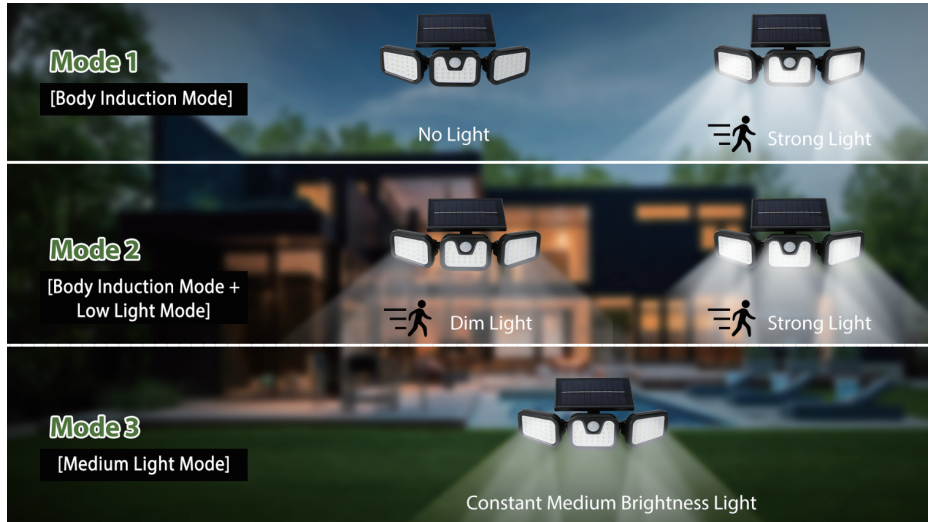


Specifications

- * Panel: 5V/1W Amorphous Silicon
- * LED Beads Quantity: 74Pcs LED Beads(26Pcs+22Pcs+26Pcs)
- * Light Battery: Inbuilt 2Pc 3.7V 1200mAh Rechargeable Li-ion battery (Overall 2400mAh)
- * Fully Charged Time: 8Hrs
- * Runtime: 8-10Hrs
- * Motion Sensor: 5m-8m/16.4ft-26.2ft
- * Motion Sensor Angle: 120 degree
- * Illumination Angle: 270 degree
- * Waterproof Performance: IP65
- * Brightness: 2000LM Max., 300LM Min.
- * Motion Sensor Lighting Duration: 30S
- * Optimal Mounting Height: 2-3m/6.56ft-9.84ft Above The Floor
- * Materials: ABS, PC
- * Panel Size: 7.4×11.5cm/2.92×4.53in

3 Lighting Modes

1. First Press (turn on) Sensor Mode: Off normally and Full brightness when motion detects at night
2. Second Press Dim Light Sensor Mode: Dim-light normally and Turns from dimmest light to full brightness when motion detects at night;
3. Third Press Medium Light Stay-on Mode: Constant medium brightness light at night and Off at sunrise
4. Fourth Press: Turn off the light

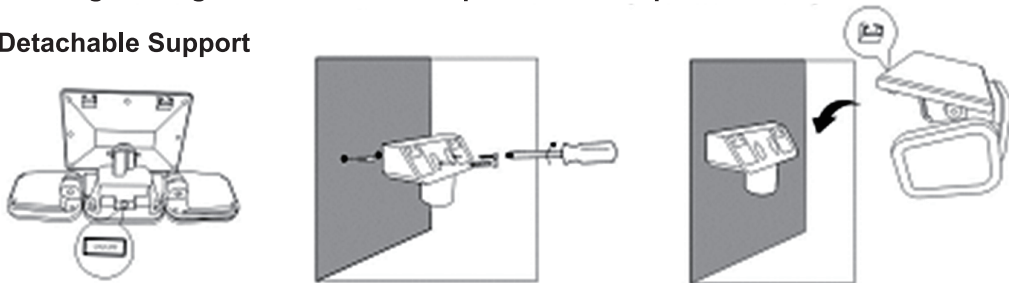


Usage Method

1. Before the first use, please make sure the light be charged under sufficient sunlight for 8-12 hours.
2. Please press the power button to turn the light on.
3. Test the light by cover the panel.
4. Press the power button to change the lighting mode which you want.
5. The lights should be installed in places where can be exposed with direct sunlight each day.

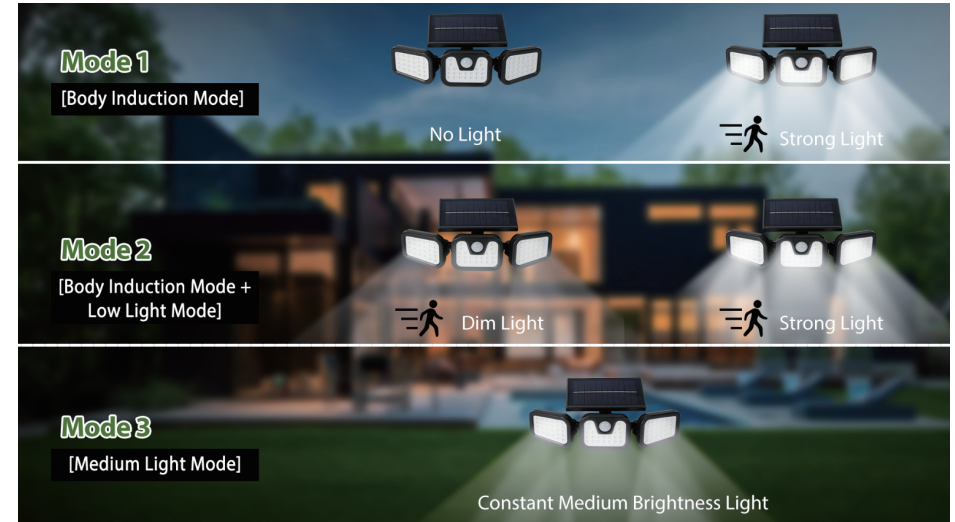
Warning: The light source of the lamp can not be replaced.

Detachable Support



3 Lighting Modes

1. First Press (turn on) Sensor Mode: Off normally and Full brightness when motion detects at night
2. Second Press Dim Light Sensor Mode: Dim-light normally and Turns from dimmest light to full brightness when motion detects at night;
3. Third Press Medium Light Stay-on Mode: Constant medium brightness light at night and Off at sunrise
4. Fourth Press: Turn off the light



Usage Method

1. Before the first use, please make sure the light be charged under sufficient sunlight for 8-12 hours.
2. Please press the power button to turn the light on.
3. Test the light by cover the panel.
4. Press the power button to change the lighting mode which you want.
5. The lights should be installed in places where can be exposed with direct sunlight each day.

Warning: The light source of the lamp can not be replaced.

Detachable Support

