

Installation & Assembly

Thank you for purchasing and using our product. If you encounter any issues during installation or usage, please contact us using the information provided above. We will respond promptly to assist you in resolving any problems. Please read this installation manual carefully before using the security product.



Safety Instructions

1. **Turn off the power** at the main fuse box or circuit breaker **before doing anything** with the fan. Don't get electrocuted.
2. **All wiring must follow your local electrical rules** or the National Electrical Code. **Hire a licensed electrician** unless you really know what you're doing.
3. **Wear gloves** if the fan parts are sharp. Don't slice your hands open.
4. Make sure the fan has **enough space to spin freely**:
 - At least **7 feet (2.13 m)** between the floor and the blades.
 - At least **18 inches (45.72 cm)** from any walls or upright surfaces.
5. **⚠ WARNING**: To avoid fire, electric shock, or getting hurt:
 - Only mount the fan to a **ceiling box rated for fan support**.
 - Use the **mounting screws** that came with the box.
 - If you're not sure the box is strong enough, **ask an electrician**.
 - Regular light fixture boxes usually **aren't strong enough** and might need to be replaced.
6. The **ceiling box and support structure** must be **securely attached** and able to hold **at least 45 kg** (about 100 lbs).
7. Be careful when installing or cleaning the fan to **avoid injury or damage**.
8. **Never use water or cleaning chemicals** on the fan. Use a **dry cloth** or a **slightly damp cloth** only.
9. After connecting the wires:
 - **Push the spliced wires up into the box**.
 - Keep the **grounded wires and grounding wire on the same side** of the box.
10. The wiring diagram is just a **reference**, not a step-by-step guide.
11. **Indoor use only**. Don't install this fan outside.

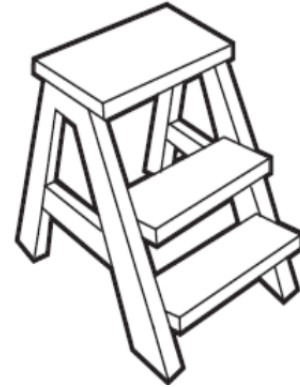
Package Contents

1. Remote Control & Receiver — 1 Set
2. Light shade — 1 PCS
3. Coupling Cover — 1 PCS
4. LED light source — 1 PCS
- 5.
6. Canopy & Mounting Bracket — 1 Set
7. Canopy & Mounting Bracket — 1 Set
8. Balancing Kit — 1 PCS (optional)
9. Fan Motor — 1 PCS Blade Arms — 6 PCS
10. Downrods 15 cm or 5.91 in.
11. Downrods 30 cm or 11.81 in.
12. Coupling Cover — 1 PCS
13. Downrods 60 cm or 23.62 in.
14. Mounting Bracket Screws — 1 Pack
15. Blade Screws — 1 Pack
16. Blades — 6 PCS



Tools Required

Screwdriver, Ladder, Electrical Tape/Terminal Block (Not Included)



Installation Steps

Step 1:(open the carton and count the parts)

Open the carton as shown below. (Be careful not to use too much force to avoid damaging the contents)



Figures 1

When you open the carton, you will see the product in the inner box, as shown below:



Figures 2

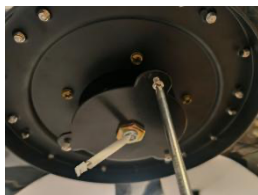
Please take the goods out of the carton as shown in the following figure:



Figures 3

Step 2: (Install the lamp disk)

- A. Remove the motor part, loosen the 3 screws shown in the figure below, 1 fully loosened, 2 halves loosened. (Fig. 4)
- B. Use three screws to fix the lamp panel and motor together. As shown in the figure 5:
- C. Remove the LED light source and connect the motor output wire to the LED light source in the direction indicated by the arrow as shown in Fig. 6:



Figures 4



Figures 5



Figures 6

Step 3: (Install the blades)

- A. Connect the blades to the motor as shown below. (Fig. 7)
- B. All the blades are fixed as shown in Fig. 8:



Figures 7



Figures 8

Step 4: (Install Downrod)

- A. Downrod There are **3 sizes, 15CM, 30CM, 60CM**, choose one according to the height of your house.
- B. Follow the diagram below to pass Canopy and Coupling Cover through Downrod.
- C. Half loosen the two screws on the motor, as shown in Fig. 9:
- D. The output wire of the motor is passed through Downrod as shown in the Fig. 10:



Figures 9



Figures 10

E. Connect the Downrod to the motor and connect the motor to the Downrod with Cross Pin, as shown in Fig. 11 below:

F. As shown in the Fig.12, fix R Pin (Clamp Pin)

G. As shown in the Fig.13, tighten two screws to secure Downrod.



Figures 11



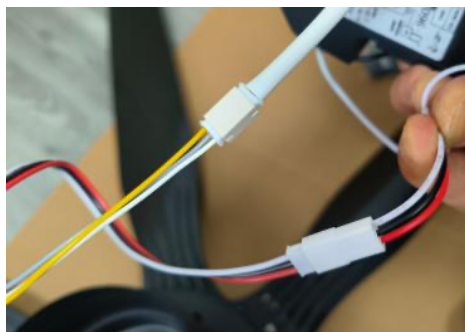
Figures 12



Figures 13

Step 5: Connect the remote receiver.

Connect the motor's output to the remote receiver's output in the following manner.



Figures 14

Step 6: Fix Mounting Bracket.

Depending on the material of your pockmark, you can choose one of three ways to fix Mounting Bracket:

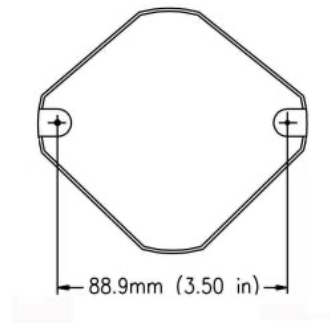
A. If the ceiling material in your home is solid wood and the thickness exceeds 9 mm, please use the two wooden screws in the accessory Pack to connect the Mounting Bracket and the ceiling. (Fig. 15)

B. If your ceiling is made of solid cement, use the two expansion screws in the accessory Pack to connect the Mounting Bracket to the ceiling.

C. If you have a standard junction box reserved in your home, such as the one shown below, it can also be installed directly. (Fig.16)



Figures 15



Figures 16

No matter which of the above methods is used to fix the ceiling disk, please ensure that the ceiling disk is firm, reliable and reliable after being fixed. There should be no signs of shaking or loosening.

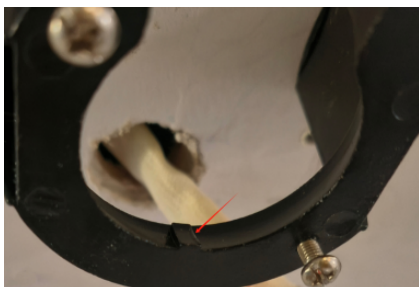
Step 7: Hang the motor to Mounting Bracket

A. As shown in the figure below:

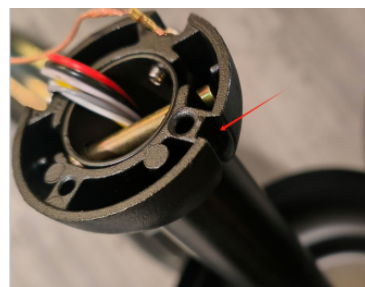


Figures 17

B. There is one place that needs special attention. The two positions marked by the red arrow in the figure below must be aligned:



Figures 18



Figures 19

C. The following figure shows the placement and method of the receiver:



Figures 20

D. Connect the wiring of the remote receiver to the reserved wires in the ceiling (black is L line, white is N line). You can connect the wires in three ways:

- a. Electric tape. (No match in the goods)
- b. Terminal blocks (if you have terminal blocks reserved in your home)
- c. Our matching orange wire cap.

E. Half-loosen the two screws shown below. (Fig.21)

F. Slide the canopy up and screw it into the bracket with the 2 screws. (Fig. 22)



Figures 21



Figures 22

Step 8: (Turn into the lampshade)

As shown in the figure below, turn clockwise into the lampshade. (Fig. 23)

The following is a picture of the finished effect (Fig. 24)



Figures 23



Figures 24

Step 9: Secure the remote-control bracket. If you don't feel the need to do this, you can skip it

As shown in the figure below. (If the remote-control bracket is fixed to wood, just use 2 screws to fix it directly. If the remote-control bracket is fixed to cement, you need to first insert 2 white rubber sleeves and then fix it with 2 screws. These accessories are in the Package of the remote control.)



Figures 25



Figures 26

Step 10: Insert 2 AAA batteries. (The battery does not match the goods)

To prevent long-term non-use, dry battery leakage will damage the remote control, please replace the new battery once every 6-8 months. Dry battery is a flammable and explosive product, please stay away from the fire source. Dry battery is a dangerous product, please keep children away from dry battery. Avoid unnecessary danger such as swallowing.

Step 11: Install the battery cover.

Step 12: Place the remote-control handle into the remote-control bracket.

Function description of remote-control handle:

	WORD	Function declaration
		Turn the lights on and off
		Turn off the main switch, fan and lights
		Change the color of light
		Night light function
		The lights are getting brighter
		The lights are getting darker
		The lights are getting more yellow
		The lights are getting more white
		Remote control Settings, no need to use
		R is reversed, clockwise direction, with wind on the top, used in winter; F is forward, counterclockwise
		The fan works for 2 hours at a time, and the light source cannot be timed
		Natural wind
		The fan has different SPEEDS. 1 is the minimum and 6 is the maximum.
		Turn off the fan

Warranty & After Care:

The product are warranted against defects in materials and workmanship under normal use. This warranty excludes damage from misuse, improper installation, or failure to follow care instructions, as well as normal wear and tear. Please inspect your product upon delivery.

Satisfaction is guaranteed within the terms of this warranty.

For assistance, please contact our team with your product's serial number and issue details. Our team will respond promptly to help.

Troubleshooting

If the fan or light doesn't work after setup:

- A. Check that the **power supply is on**.
- B. Double-check the **wiring** (refer to earlier steps).
- C. Still broken? **Contact customer service**.

Important Notes:

1. For indoor use only.
2. Avoid exposing the remote to extreme heat or moisture.
3. Periodically check screw tightness to prevent loosening due to vibration.