

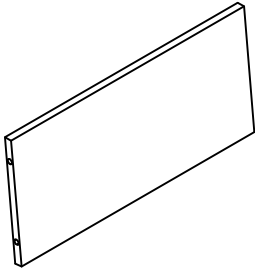
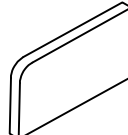
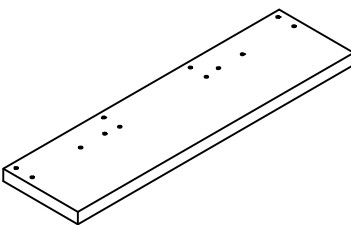
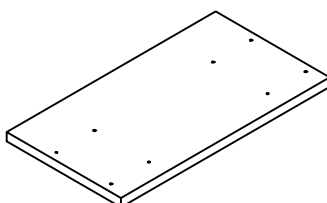
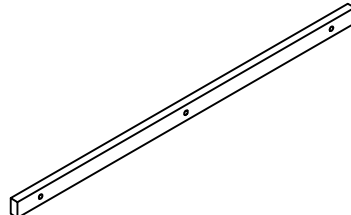
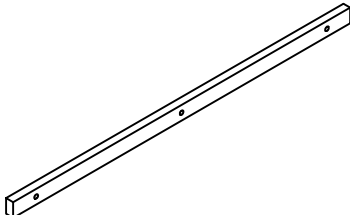
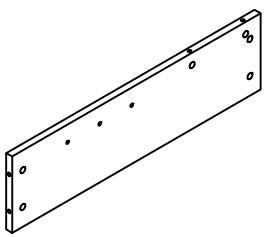
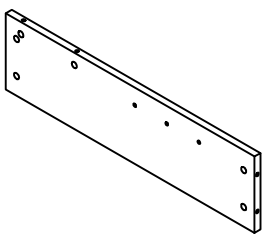
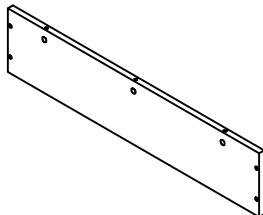
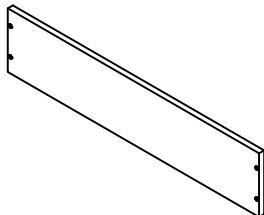
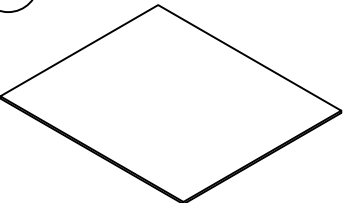
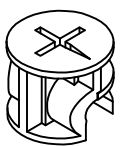
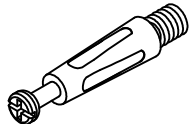
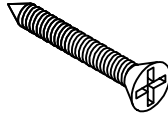




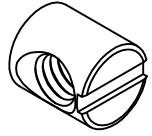

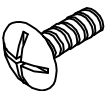
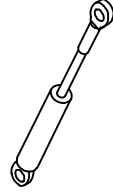
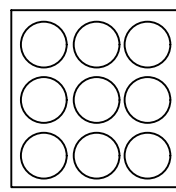

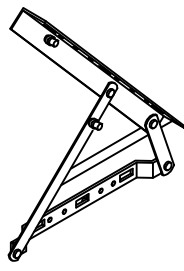
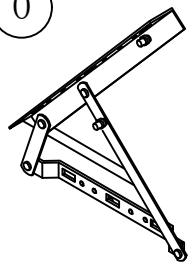


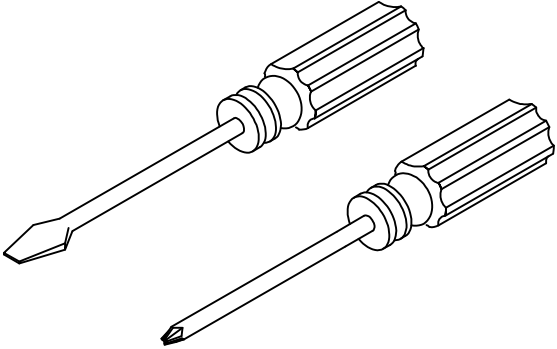
Assembly Guide of
S2112K Sofa-1 Seater

PARTS LIST

<p>1</p> 	<p>2</p> 	<p>3</p> 	<p>4</p> 
<p>left back cube =1</p>	<p>right back cube=1</p>	<p>back panel=1</p>	<p>back rail panel=1</p>
<p>5</p> 	<p>6</p> 	<p>7</p> 	<p>8</p> 
<p>rear panel=1</p>	<p>front panel=1</p>	<p>742 long brace=2</p>	<p>830 long brace=2</p>
<p>9</p> 	<p>10</p> 	<p>11</p> 	<p>12</p> 
<p>left side panel=1</p>	<p>right side panel=1</p>	<p>rear side panel=1</p>	<p>front side panel=1</p>
<p>13</p> 			
<p>bottom panel=1</p>			

HARDWARE LIST

<p>(A)</p> 	<p>(B)</p> 	<p>(C)</p> 	<p>(D)</p> 
cam locks=20 pcs	rods=20 pcs	4*25 self-tapping screws=16	rubber pads=14
<p>(E)</p> 	<p>(F)</p> 	<p>(G)</p> 	<p>(H)</p> 
8 mm gaskets=8	8*70 big flat screws=4	8*50 big flat screws=4	8 hammer nuts=8
<p>(I)</p> 	<p>(J)</p> 	<p>(P)</p> 	<p>(L)</p> 
6mm gaskets=10	6*16 big flat screws=10	pneumatic rod=1	small hole stickers=32
<p>(M)</p> 	<p>(N)</p> 	<p>(O)</p> 	
rubber protector=4	left pneumatic rod=1	right pneumatic rod=1	



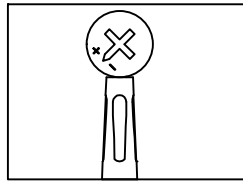
phillips head screw driver required
for assemble---not include



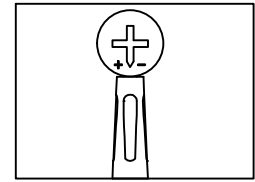
Bolt



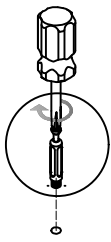
Connecting piece



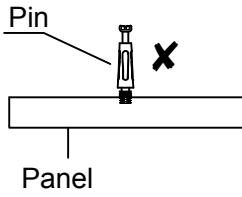
Adjust connecting piece direction until it is properly lined up with the hole.



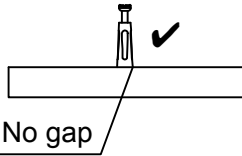
Insert bolt when connecting piece direction is properly lined up.



1.

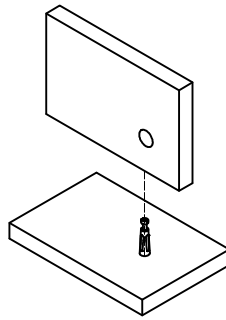


Panel

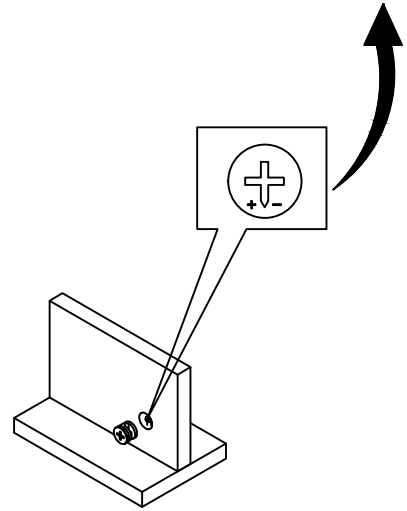


No gap

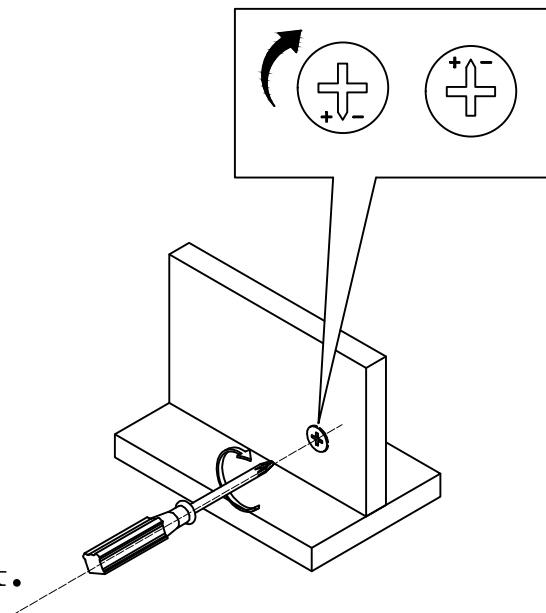
2.



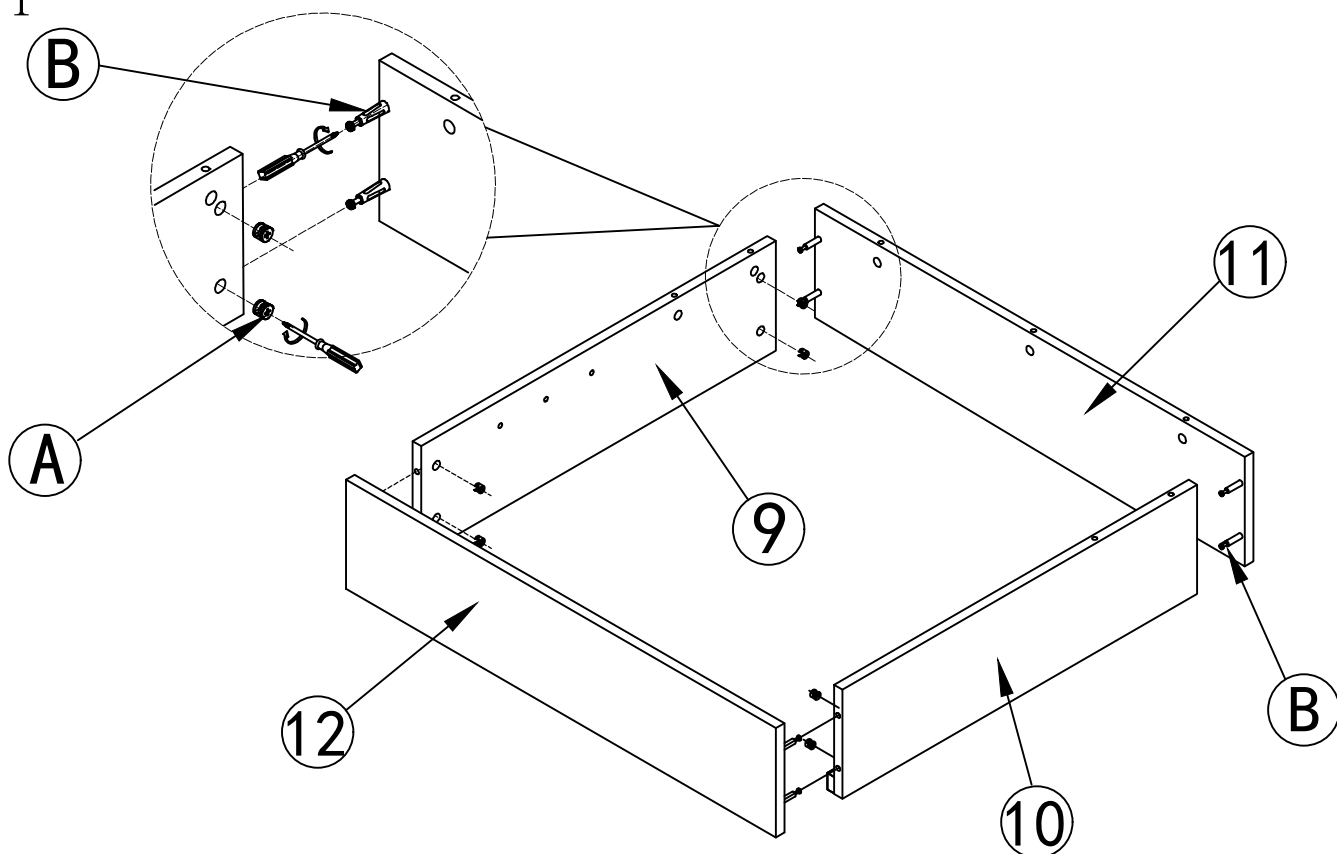
3.



4.



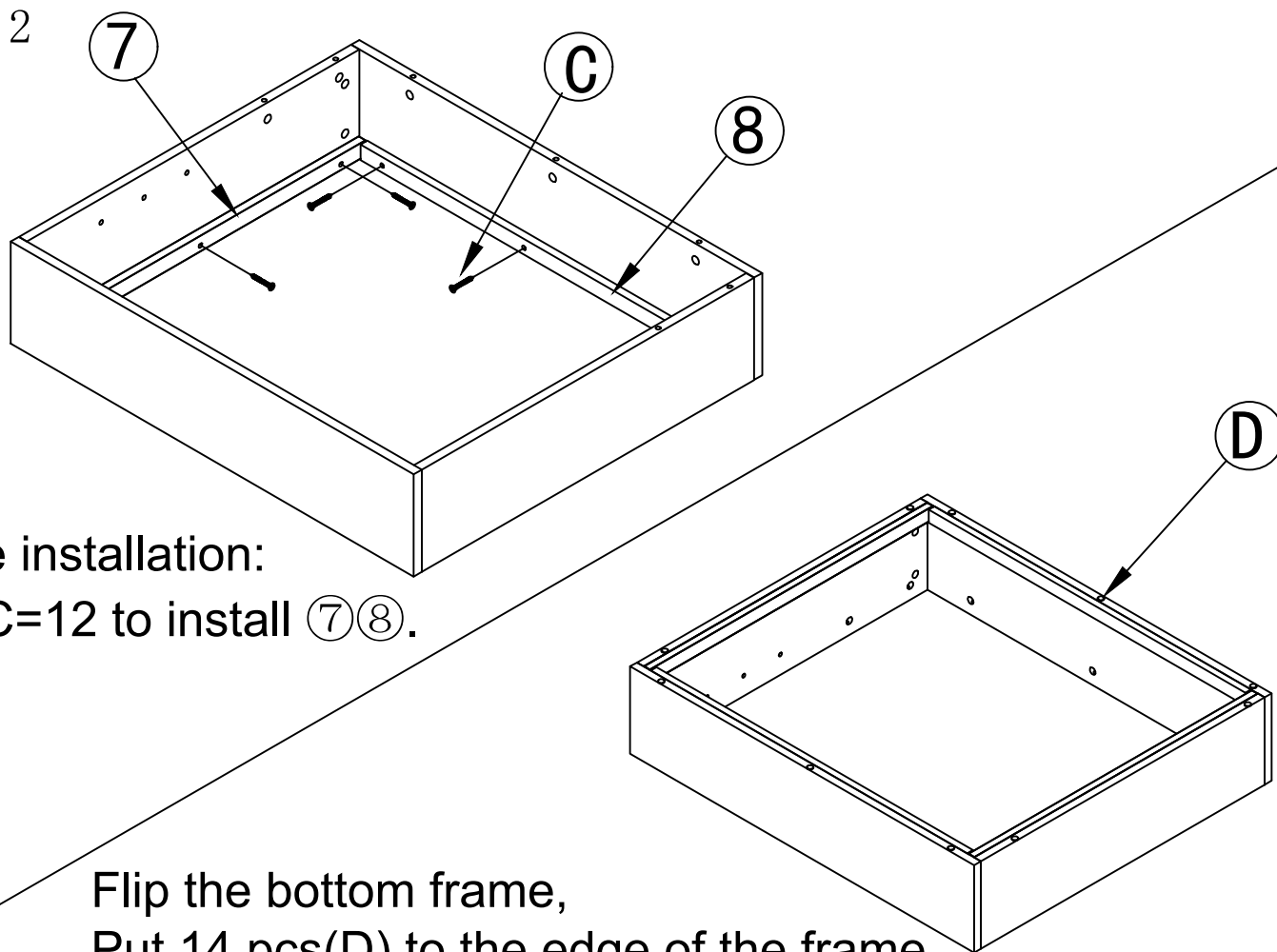
Step 1



Bottom frame installation:

Use A=8,B=8 to connect panel ⑨⑩⑪⑫.

Step 2

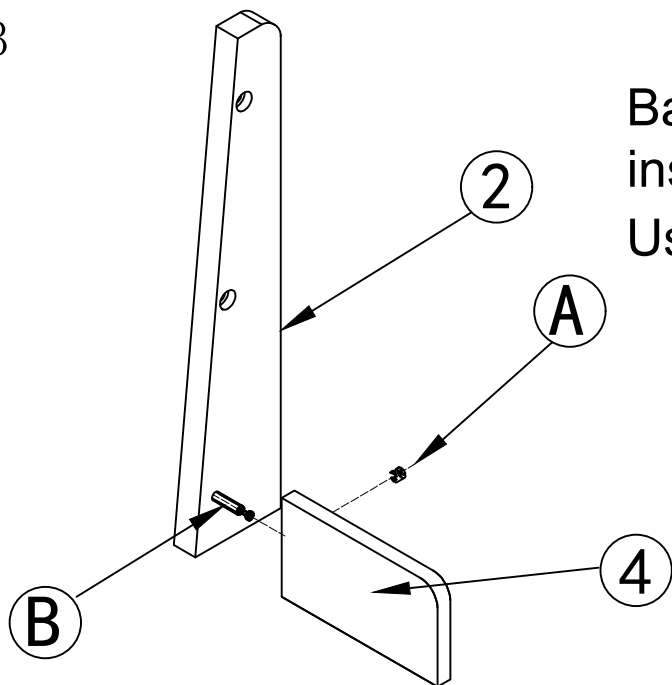


Brace installation:

Use C=12 to install ⑦⑧.

Flip the bottom frame,
Put 14 pcs(D) to the edge of the frame.

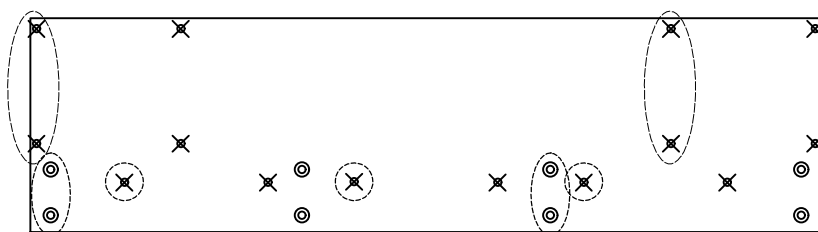
Step 3



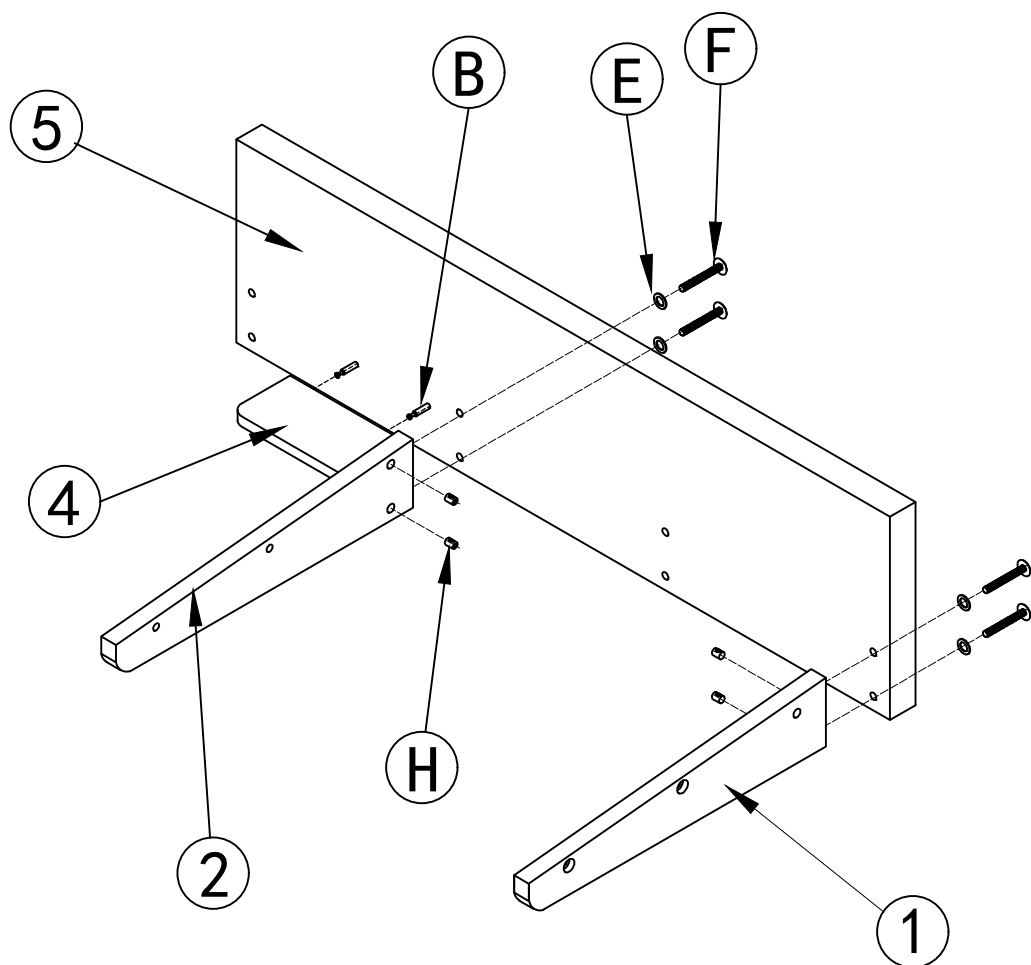
Back cube and back rail panel installation:

Use A=1,B=1 to connect ②④.

Step 4

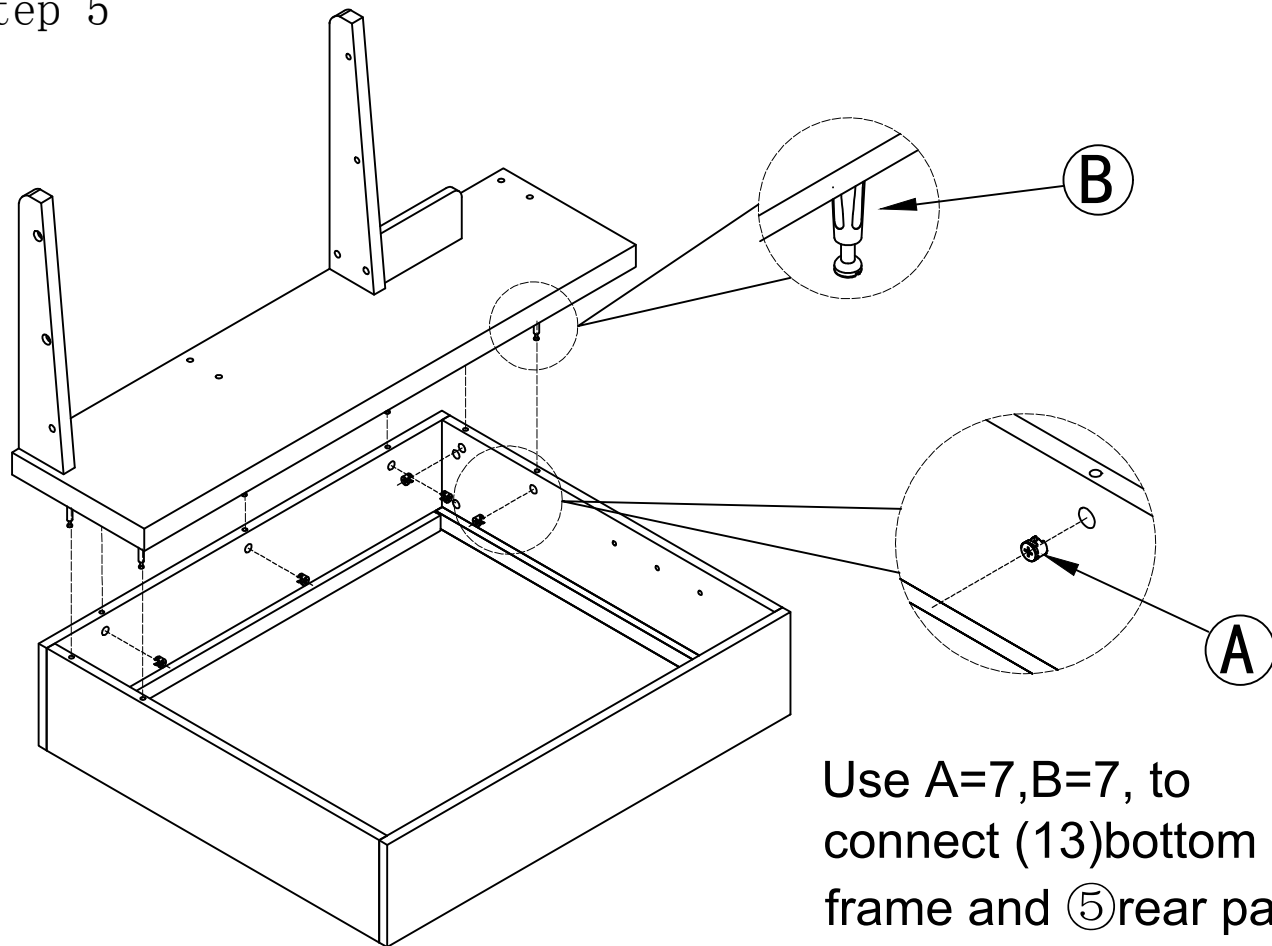


The hole position map marking of the back panel of the left side sofa



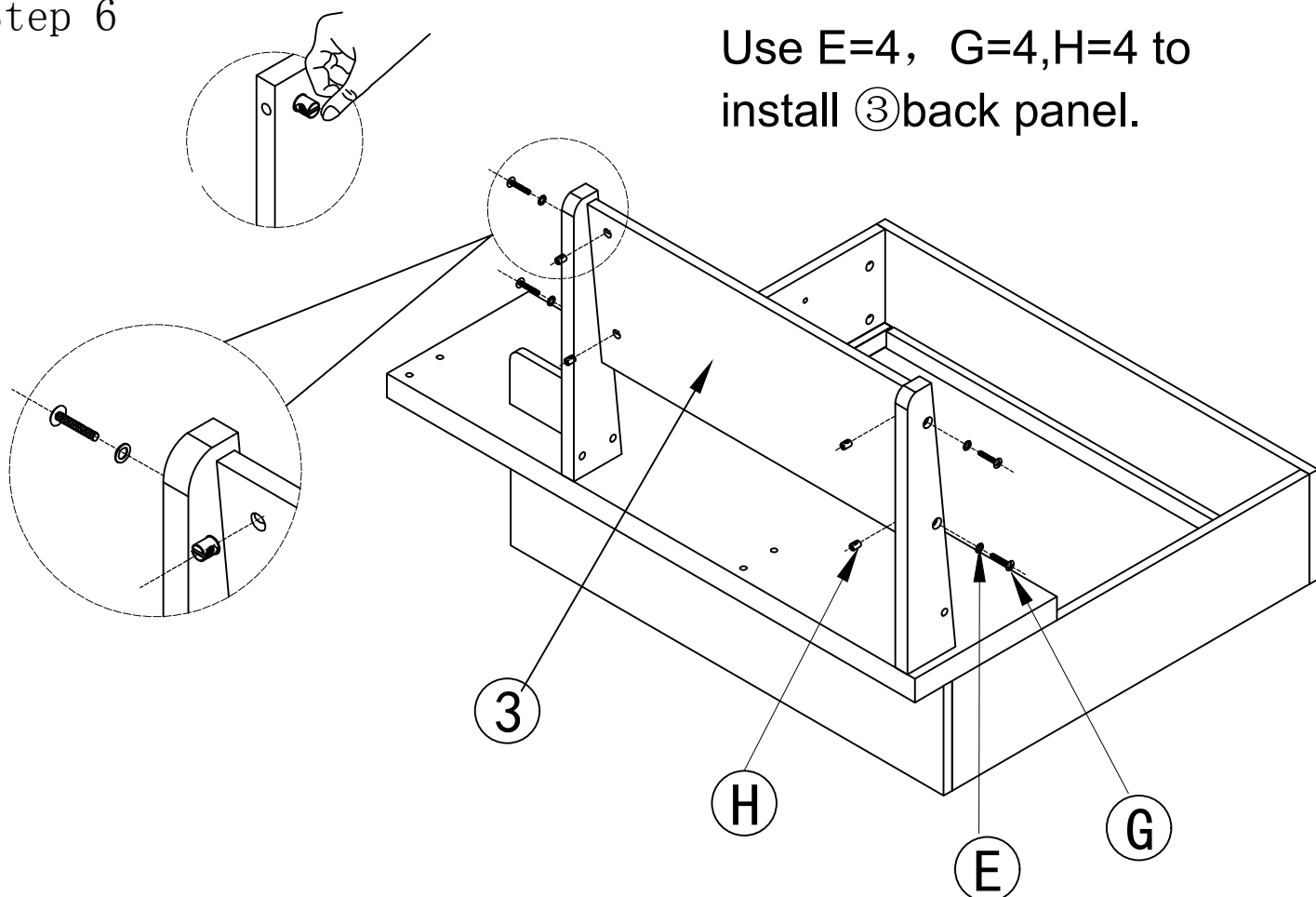
Use E=4, F=4, H=4, A=2, B=2, to connect panel ①②④⑤.

Step 5

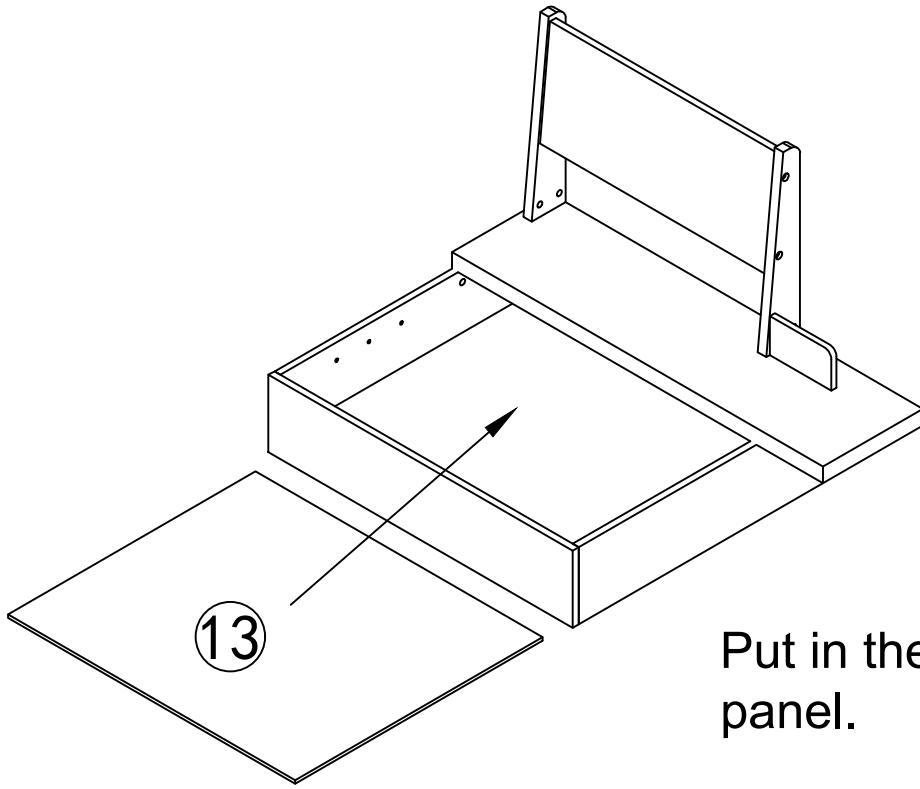


Step 6

Use E=4, G=4, H=4 to install (3) back panel.

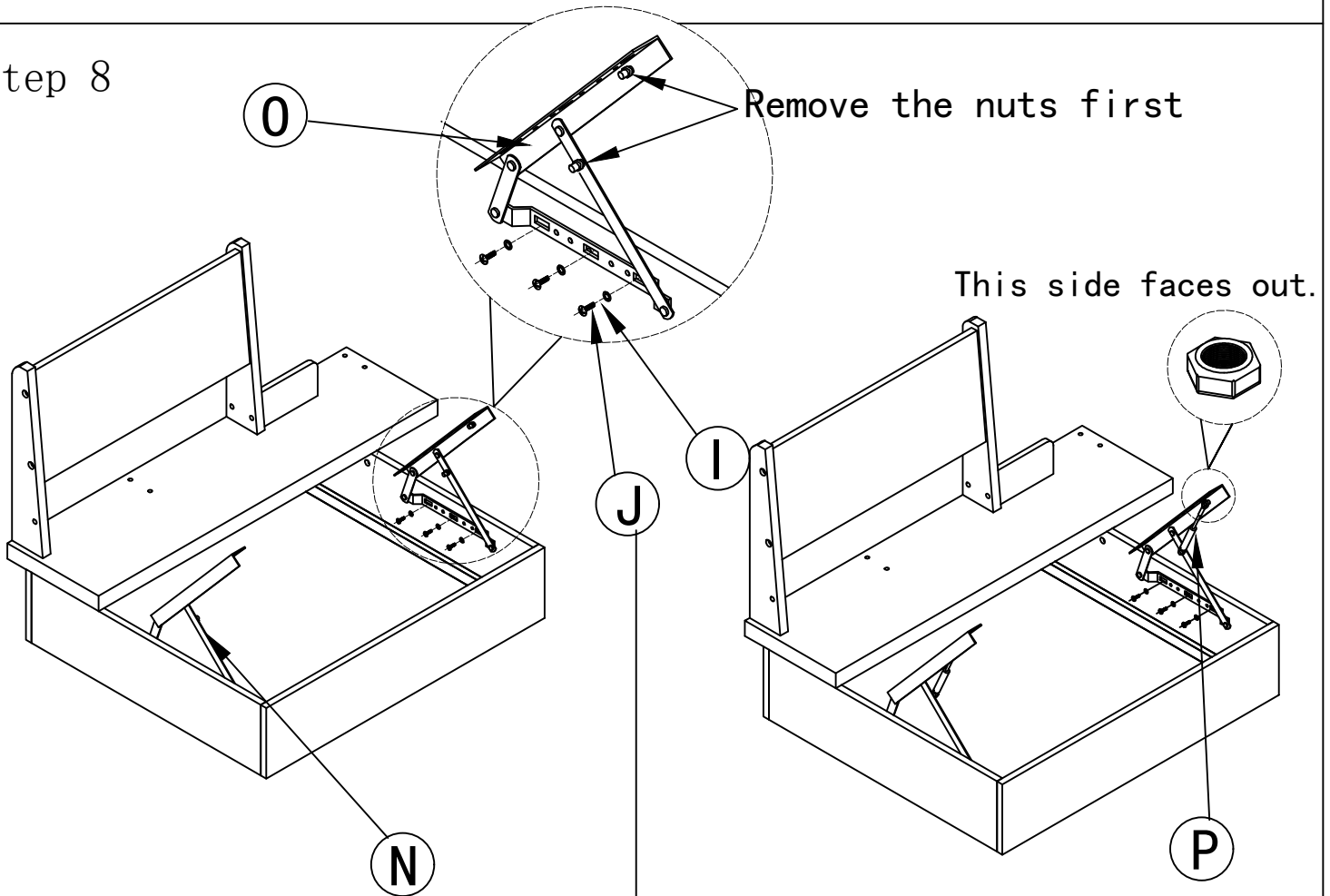


Step 7



Put in the (13) bottom panel.

Step 8



Remove the nuts first

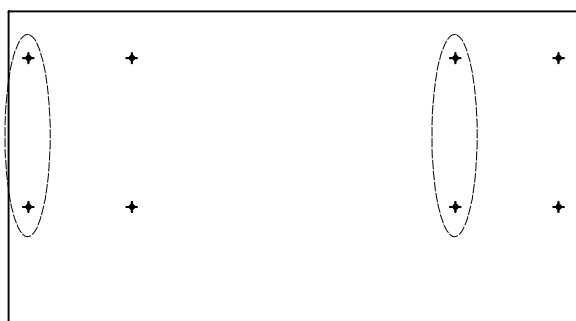
This side faces out.

Use I=6, J=6, to install (N) and (O).

Install (P) with the removed nuts.

Noted: The nuts are divided into front and back.

Step 9

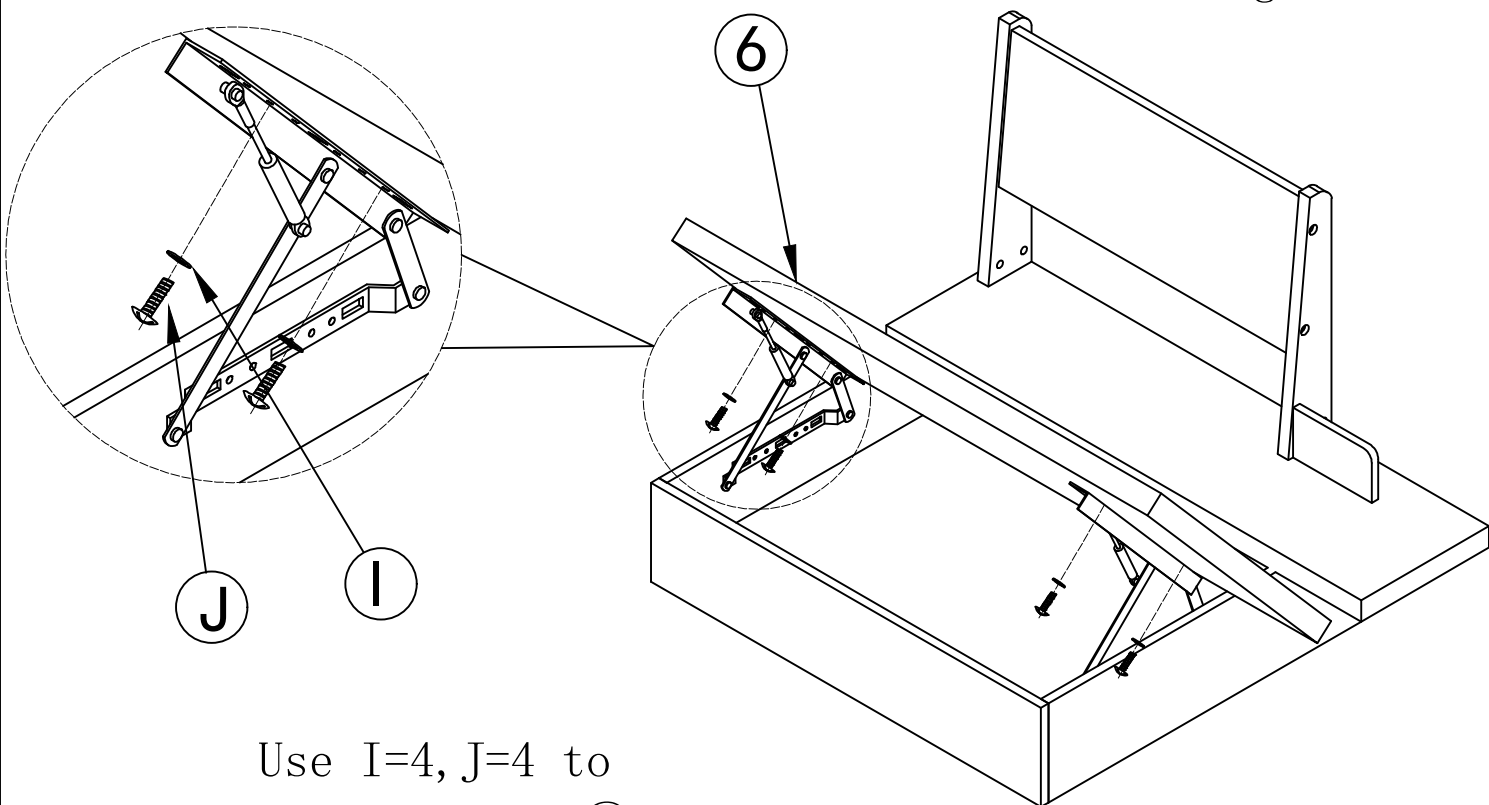


(front)

The hole position map marking of front panel of left side sofa.

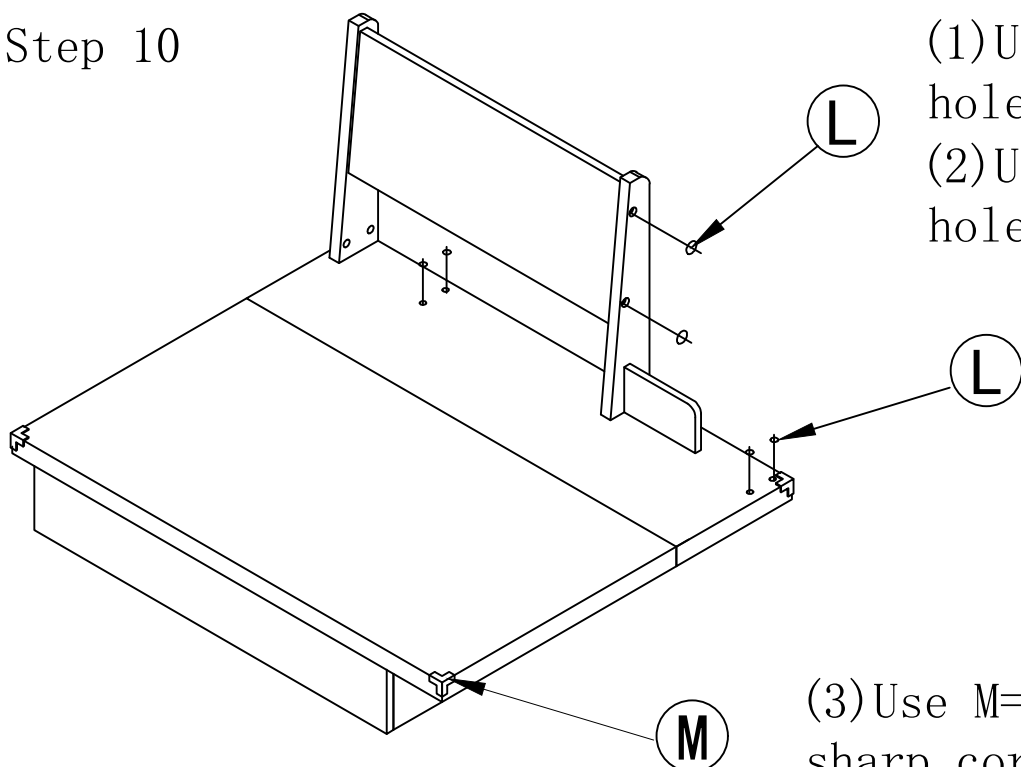
(back)

Pay attention to the front and back when installing.



Use I=4, J=4 to install panel 6.

Step 10



(1) Use L=4 to cover the hole of back cube.

(2) Use L=4 to cover the hole of rear panel.

(3) Use M=4 to stick the four sharp corners of this sofa.