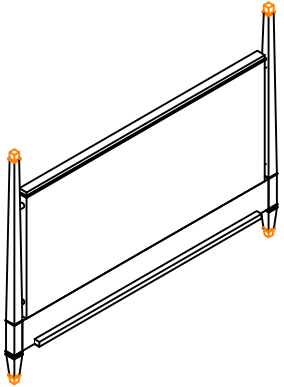
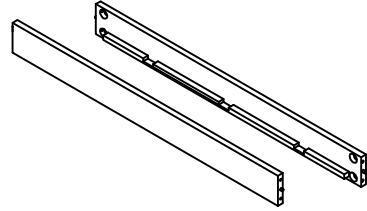


# AXH83009FR ASSEMBLY INSTRUCTION

**P1** Headboard (x 1)



**P3** Side rail (x 1)



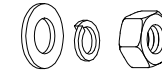
**1** Steel threaded bar (x 8)



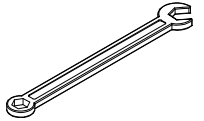
**2** Half moon washer (x 8)



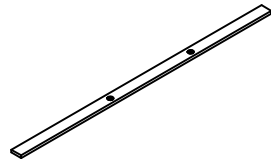
**3** Hexagonal nut, lock, flat washer (x 8)



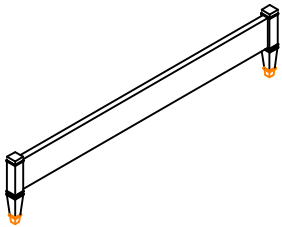
**4** Steel open wrench (x 1)



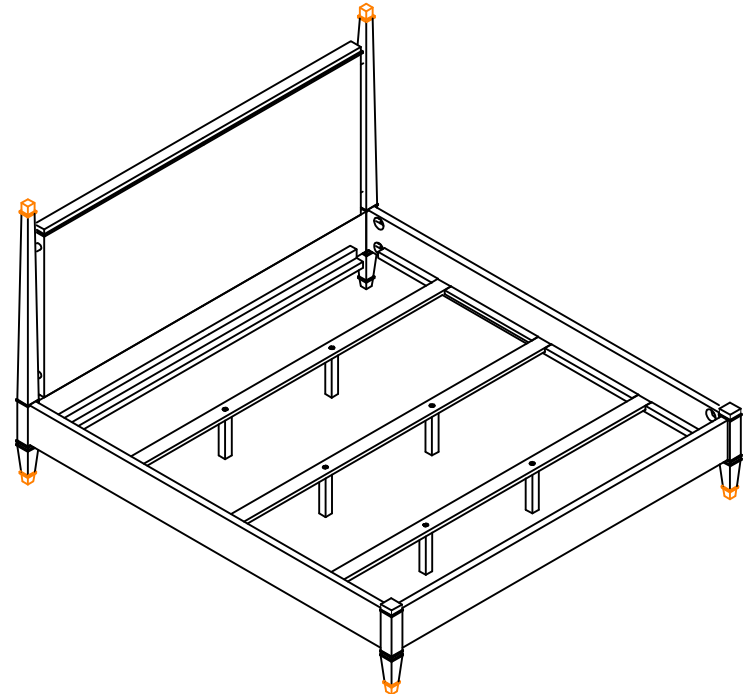
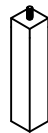
**P4** Center Slat (x 3)



**P2** Footboard (x 1)

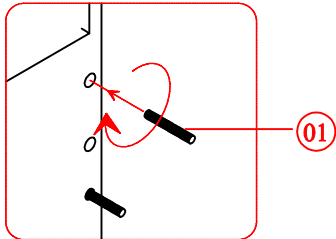


**P5** Center Support (x 6)

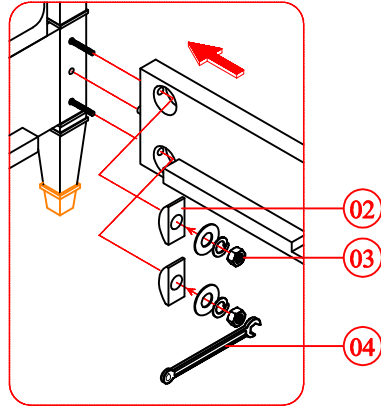


# AXH83009FR ASSEMBLY INSTRUCTION

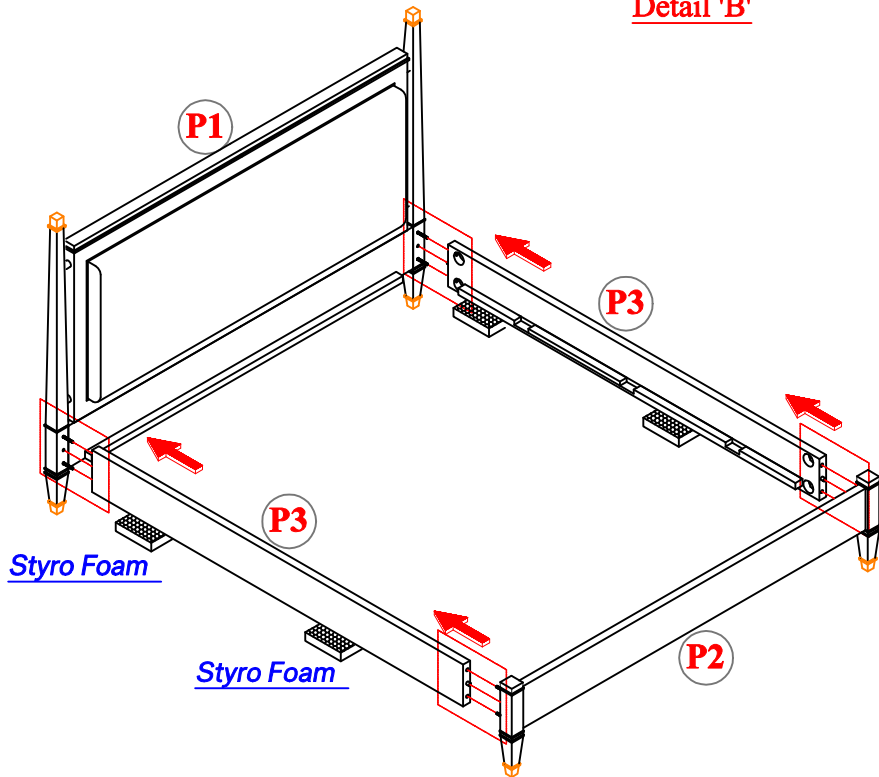
## Step 1 :



**Detail 'A'**



**Detail 'B'**



## Step 2 :

