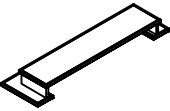
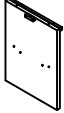







ASSEMBLY INSTRUCTION








CONSOLE BAR TABLE

Thank you for purchasing this quality product. Be sure to check all packing material carefully for small parts which may have come loose inside the carton during shipment. Identify and count all parts and compare with the parts List Below.

PART LIST

<p>①</p>  <p>TOP : 1PC</p>	<p>②</p>  <p>LEFT SIDE PANEL:1PC</p>	<p>③</p>  <p>RIGHT SIDE PANEL :1PC</p>	<p>④</p>  <p>STRETCHER : 1PC</p>	<p>⑤</p>  <p>SHELF PANEL:2PCS</p>	<p>⑥</p>  <p>TABLE BOTTOM:2PCS</p>	<p>⑦</p>  <p>BACK PANEL: 1PC</p>
--	---	---	---	---	---	---

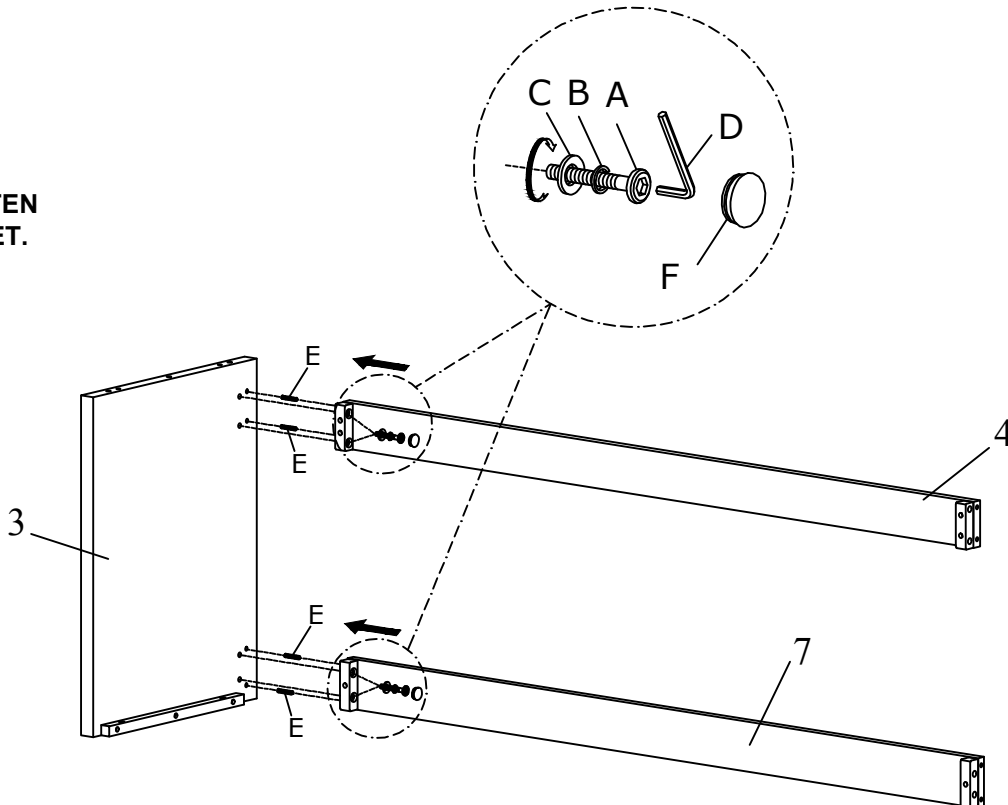
HARDWARE LIST

<p>Ⓐ</p>  <p>BOLTS (Ø1/4" - 20 x 1-3/8") : 29PCS</p>	<p>Ⓑ</p>  <p>SPRING WASHERS (Ø1/4") : 29PCS</p>	<p>Ⓒ</p>  <p>FLAT WASHERS (Ø1/4"x16MM) : 29PCS</p>	<p>Ⓓ</p>  <p>ALLEN KEY (4MM) : 1PC</p>	<p>Ⓔ</p>  <p>WOOD DOWELS (Ø8x30MM) : 20PCS</p>	<p>Ⓕ</p>  <p>PLASTIC CAPS : 8PCS</p>	<p>Ⓖ</p>  <p>ROUND TUBE POSTS : 8PCS</p>
---	--	--	--	--	---	---

STEP 1

NOTE:

DO NOT TIGHTEN ALL BOLTS YET.



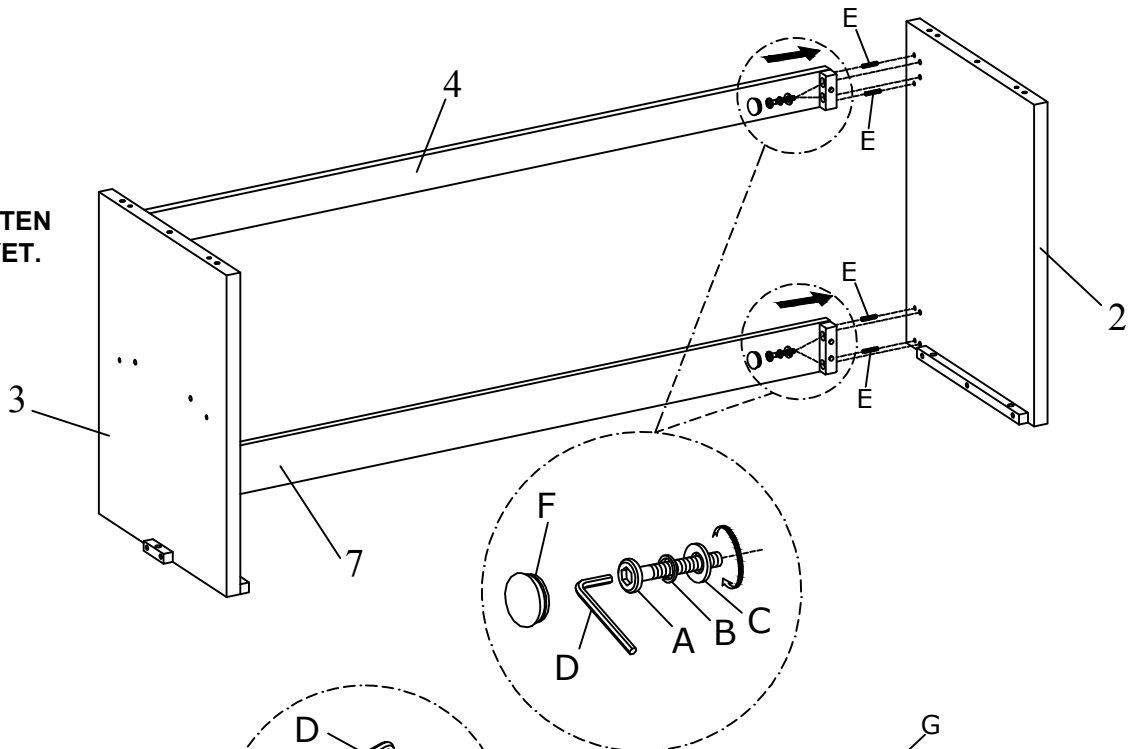
ASSEMBLY INSTRUCTION

CONSOLE BAR TABLE

Thank you for purchasing this quality product. Be sure to check all packing material carefully for small parts which may have come loose inside the carton during shipment. Identify and count all parts and compare with the parts List Below.

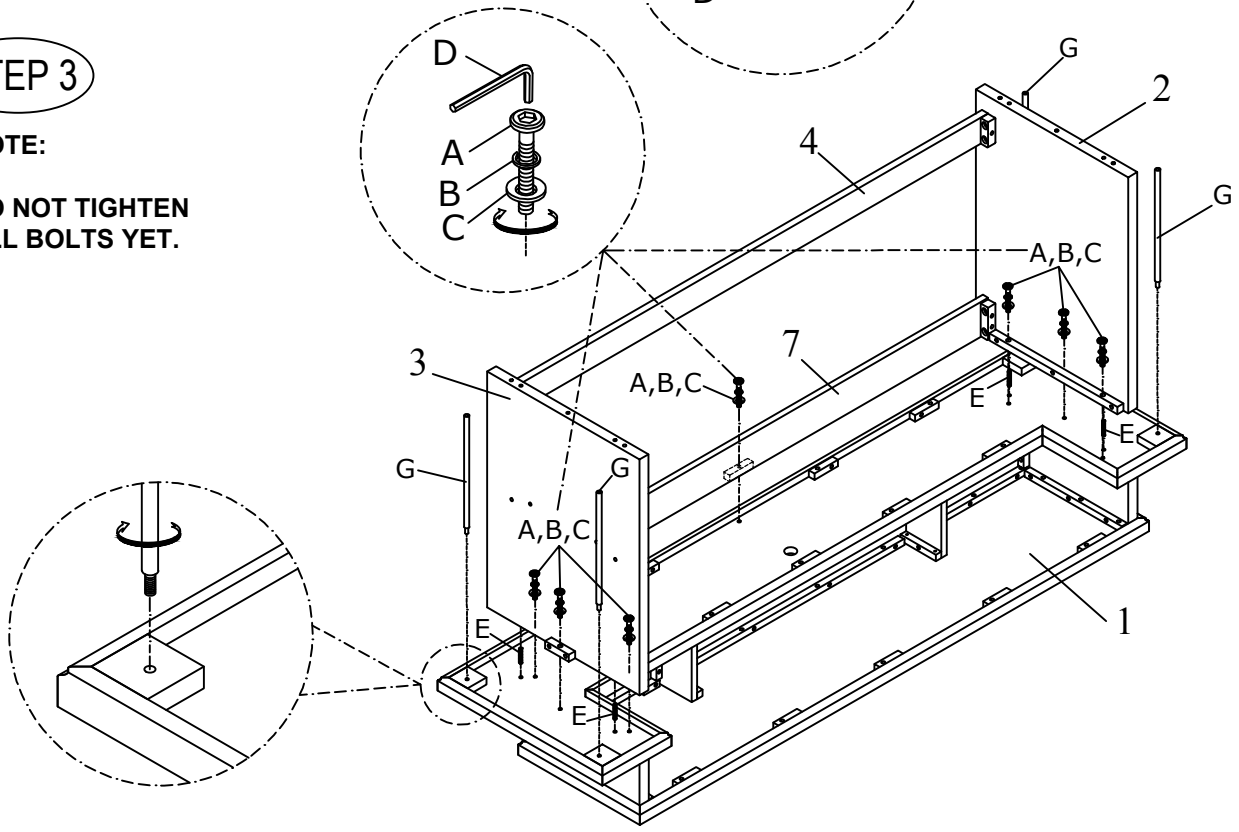
STEP 2

NOTE:
DO NOT TIGHTEN ALL BOLTS YET.



STEP 3

NOTE:
DO NOT TIGHTEN ALL BOLTS YET.



ASSEMBLY INSTRUCTION

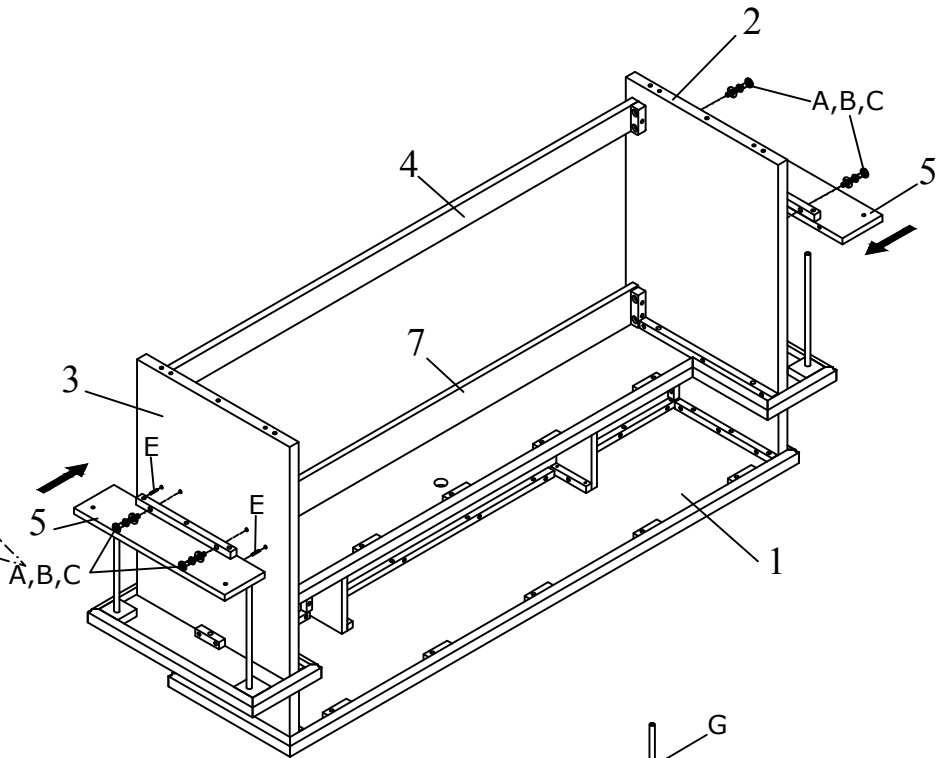
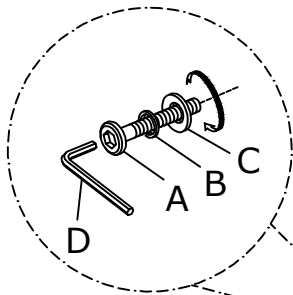
CONSOLE BAR TABLE

Thank you for purchasing this quality product. Be sure to check all packing material carefully for small parts which may have come loose inside the carton during shipment. Identify and count all parts and compare with the parts List Below.

STEP 4

NOTE:

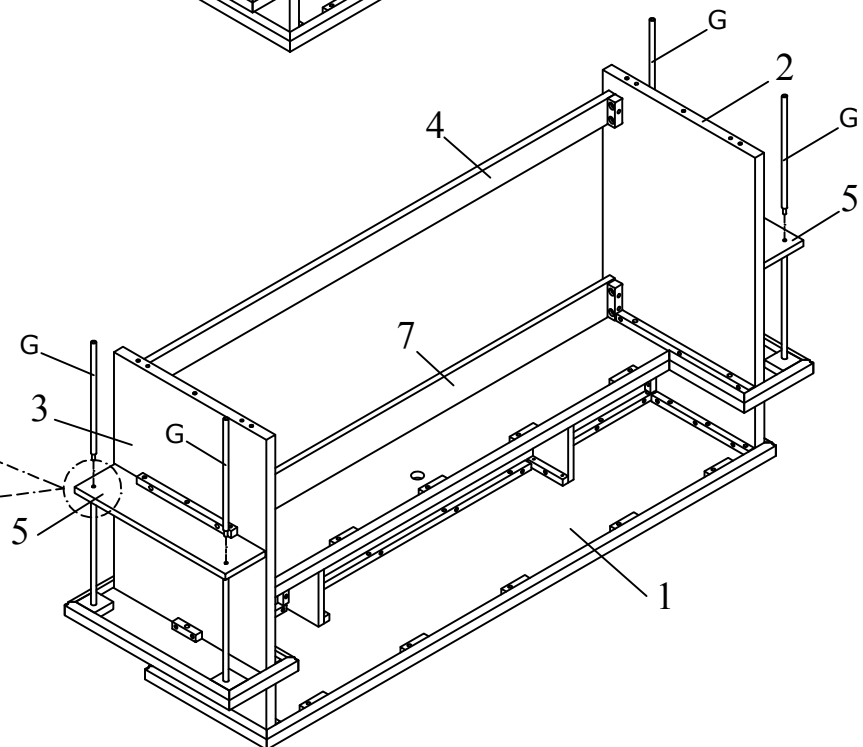
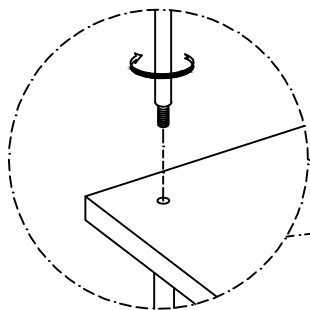
DO NOT TIGHTEN
ALL BOLTS YET.



STEP 5

NOTE:

DO NOT TIGHTEN
ALL BOLTS YET.



ASSEMBLY INSTRUCTION

CONSOLE BAR TABLE

Thank you for purchasing this quality product. Be sure to check all packing material carefully for small parts which may have come loose inside the carton during shipment. Identify and count all parts and compare with the parts List Below.

STEP 6

NOTE:

DO NOT TIGHTEN ALL BOLTS YET.

