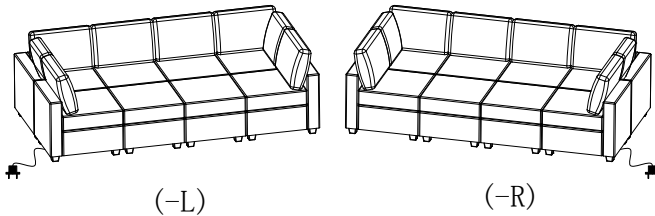


Assembly Instructions

Item:SOFA

SKU:N719P189589A/90A/93A/95A
N719P189589E/90E/93E/95E



1. Important Safeguards



Read these instructions carefully and retain them for future use. If this product is passed to a third party, then these instructions must be included.

When using the product, basic safety precautions should always be followed to reduce the risk of injury including the following:

⚠ CAUTION Risk of injury!

- Product can tip over! Do not let children climb on or play with the product.
- Always use the product on a firm, level ground.
- Do not stand on the product or use it as a step ladder.
- Periodically check to see that all bolts,screws and knobs are firmly screwed. Tighten them if any are loose.
- Stop using the product at first sign of damage or if parts become detached.
- Keep the fire or all sharp objects away from the product.

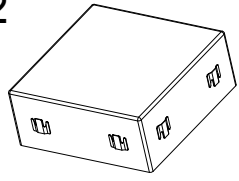
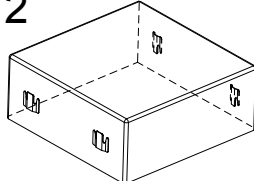
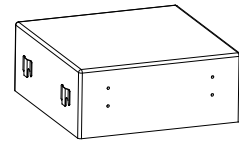
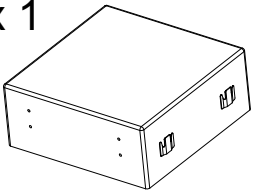
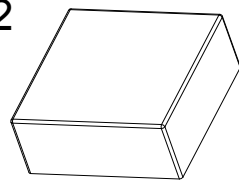
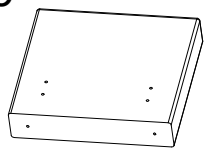
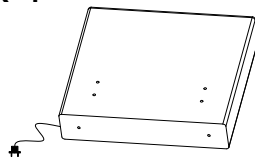
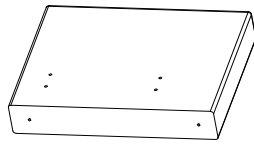
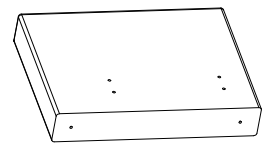
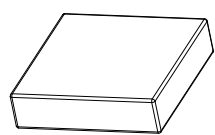
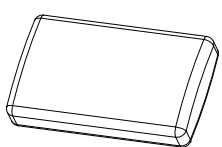
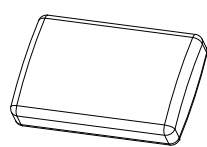
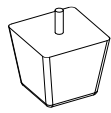
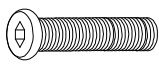
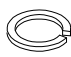
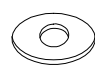
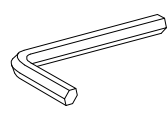
2. Before First Use

⚠ DANGER Risk of suffocation!

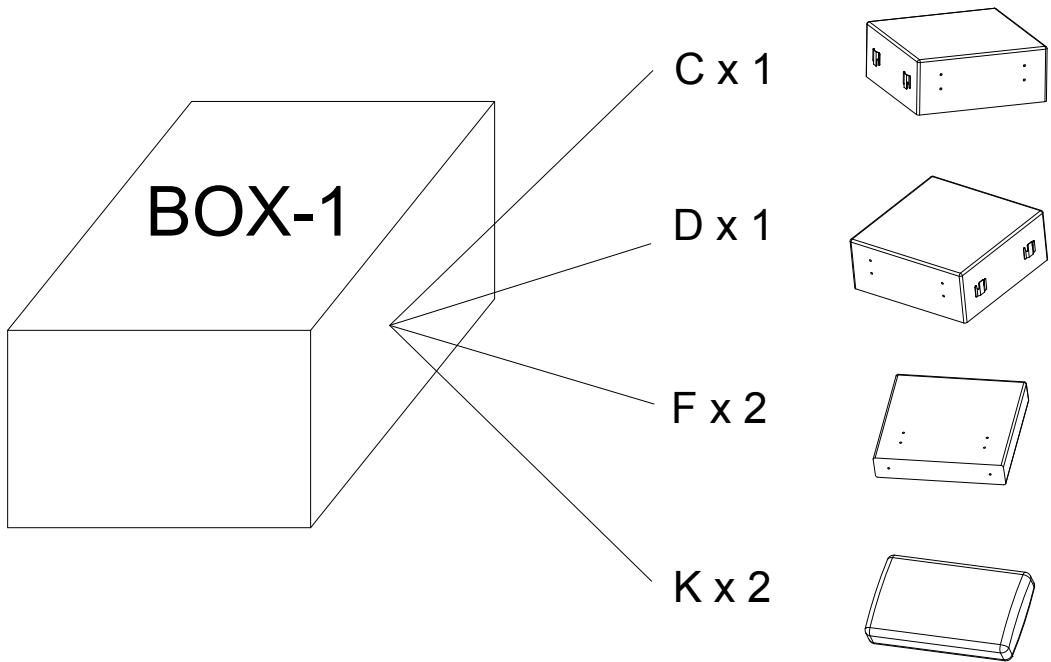
- Keep any packaging materials away from children and pets - these materials are potential source of danger, e.g. Suffocation.
- Check the product for transport damages. Unpack all hardware bags and components to ensure you have all parts before assembly.
- Assemble product on a clean non-marring surface. Remove all the packing materials.

3. Cleaning and Maintenance

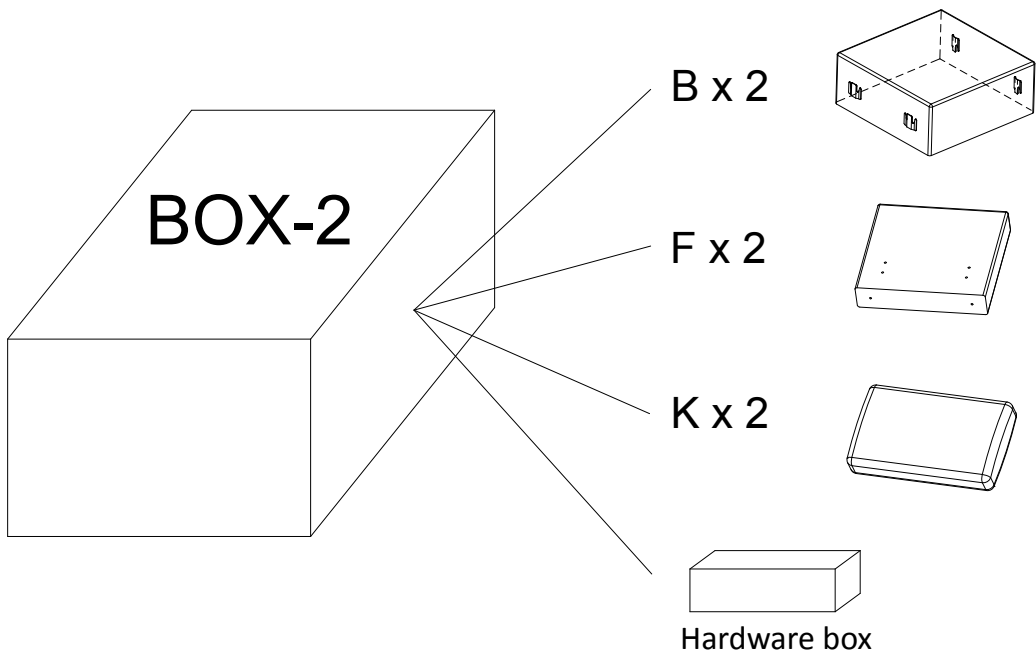
- Clean spills immediately by using a soft, clean, lint-free cloth to prevent staining.
- Never use harsh chemicals or solvents on your product as this may damage the product.
- Marks and stains are difficult to remove, we recommend you consult a professional. If you use a professional product, pretest it in an inconspicuous area for any signs of discoloration or shrinking.

| | | |
|--|---|--|
| <p>A x 2</p>  | <p>B x 2</p>  | <p>C x 1</p>  |
| <p>D x 1</p>  | <p>E x 2</p>  | <p>F x 5</p>  |
| <p>G x 1</p>  | <p>H x 1</p>  | <p>I x 1</p>  |
| <p>J x 8</p>  | <p>K x 6</p>  | <p>L x 2</p>  |
| <p>M x 34</p>  | <p>N x (32+1)</p>  <p>1/4" x 1-1/4"</p> | <p>O x (32+1)</p>  <p>1/4"</p> |
| <p>P x (32+1)</p>  <p>1/4"</p> | <p>Q x 1</p>  | |

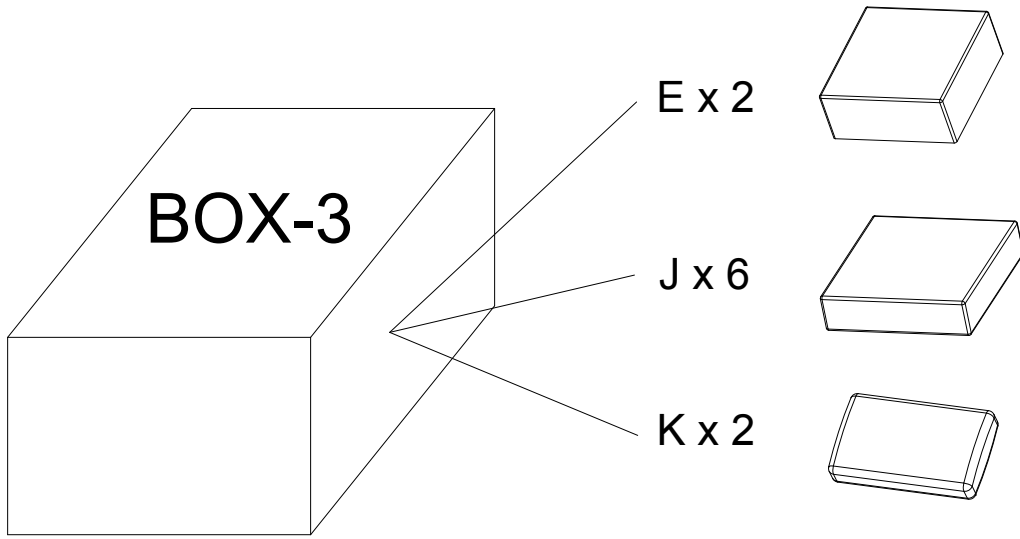
SKU -1 (N719P189589A/E)
PARTS LIST



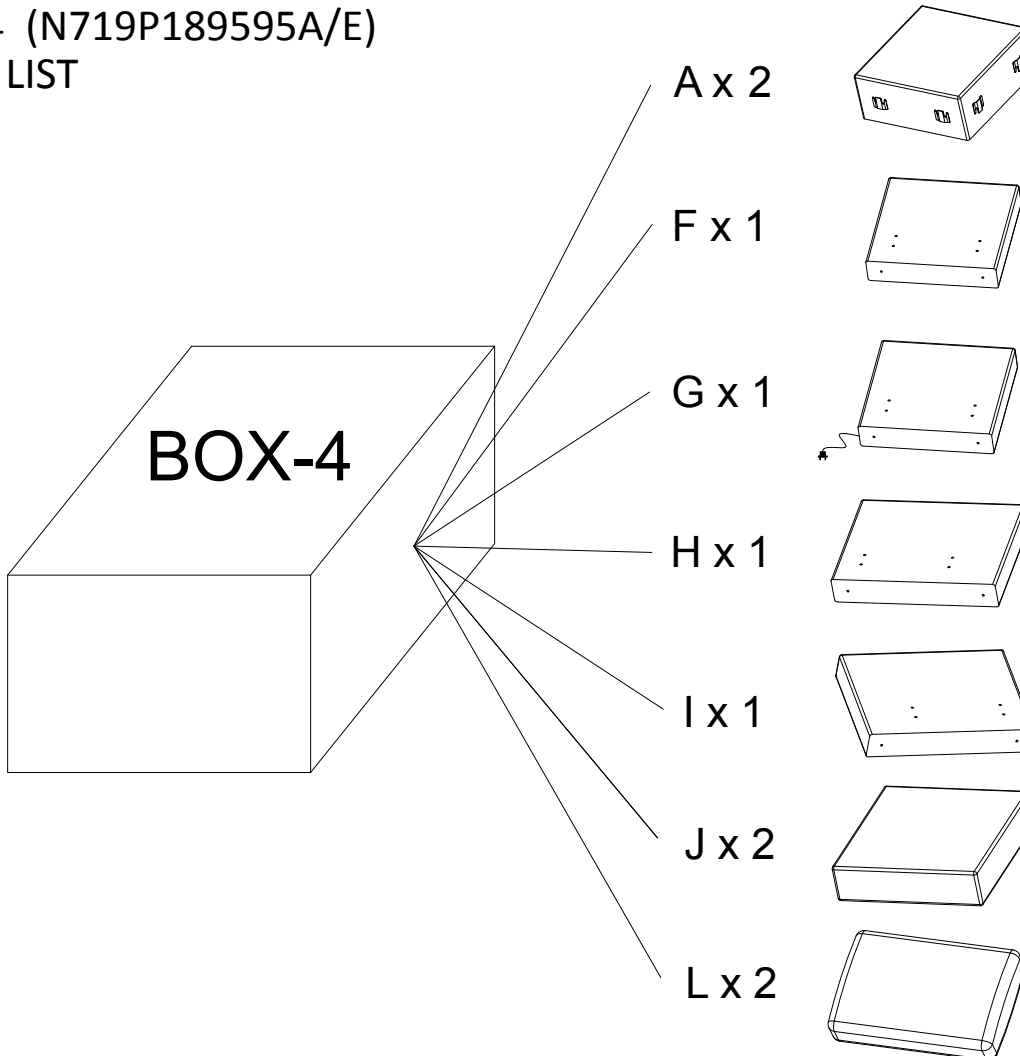
SKU -2 (N719P189590A/E)
PARTS LIST



SKU -3 (N719P189593A/E)
PARTS LIST



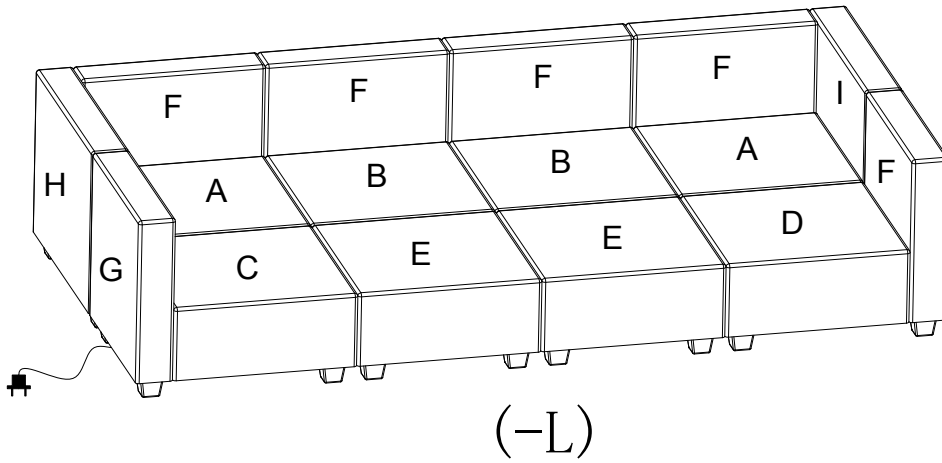
SKU -4 (N719P189595A/E)
PARTS LIST



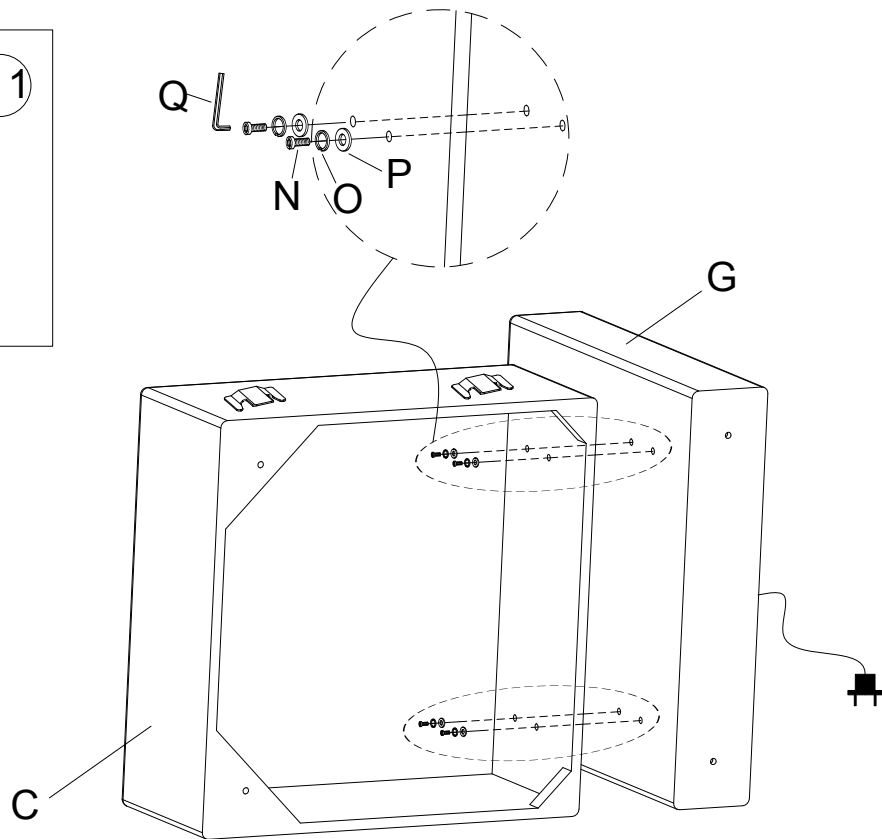
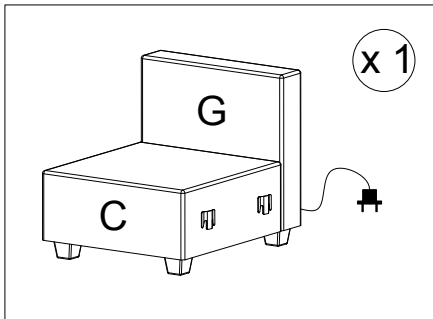


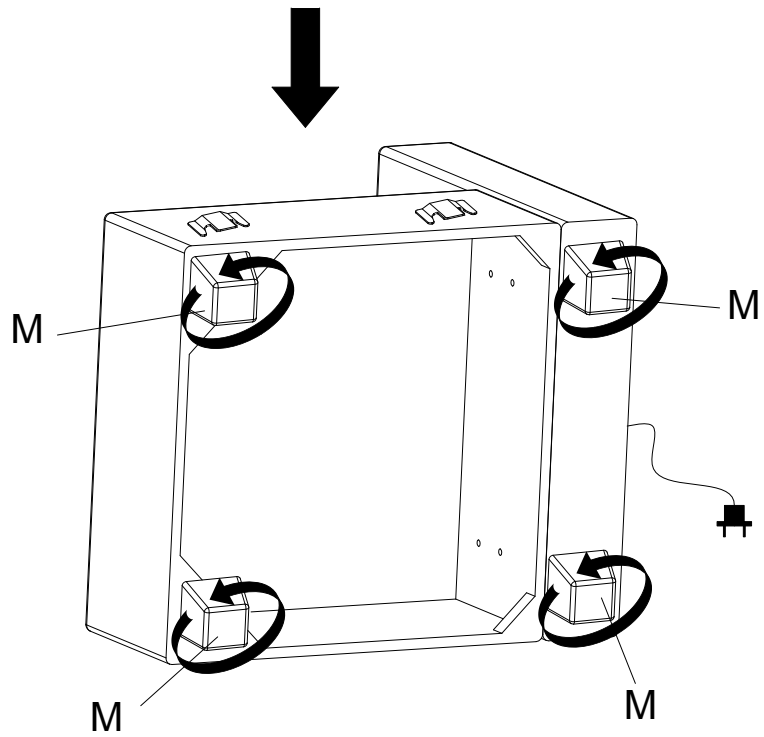
NOTE:

Suggest to assemble the product by 2 or more people.
Do not tighten screws before all product parts be together.

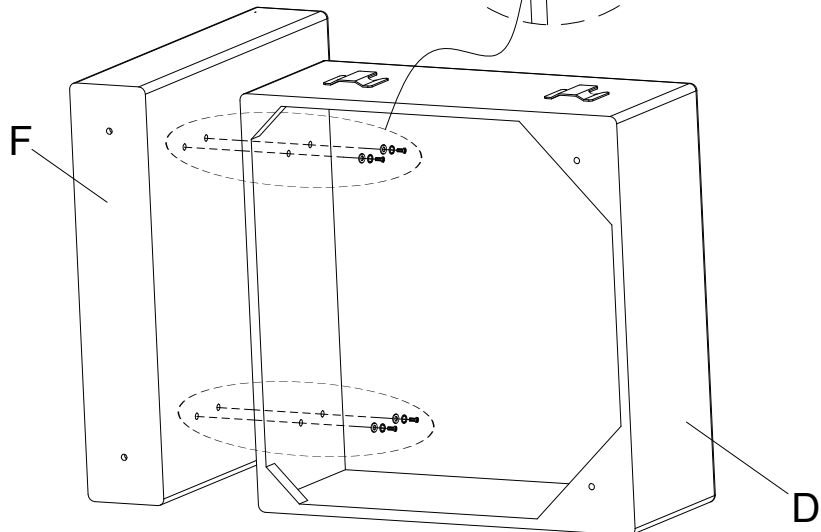
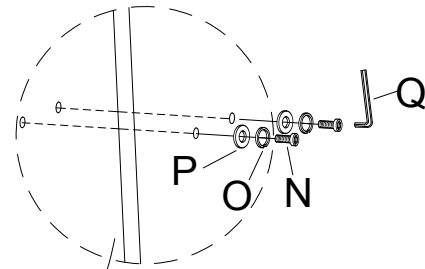
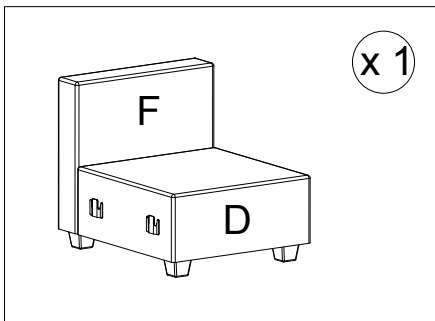


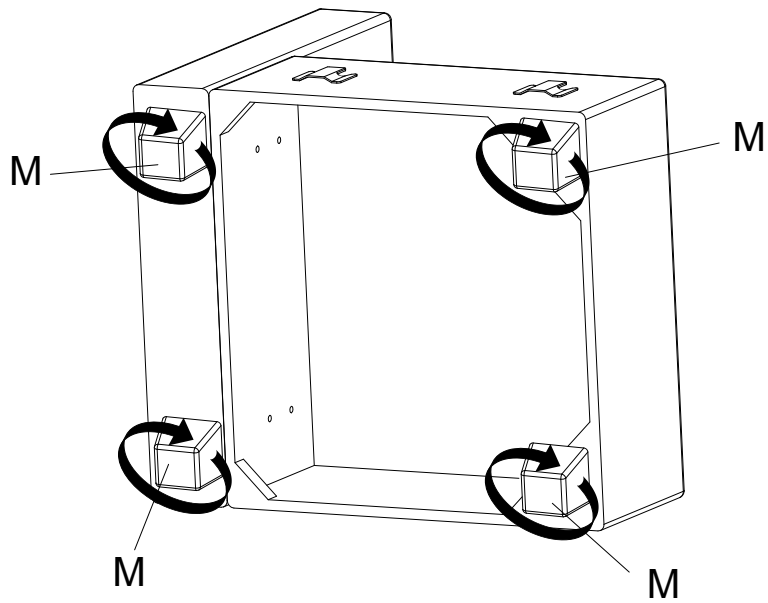
1



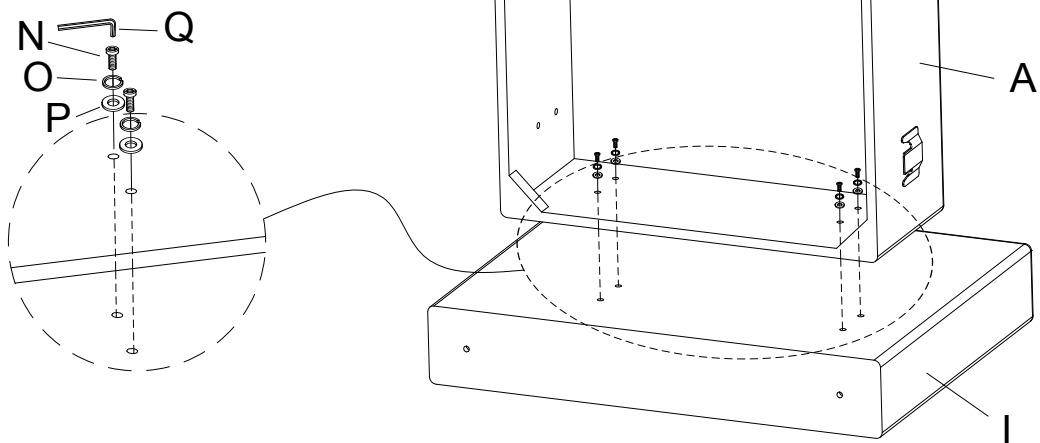
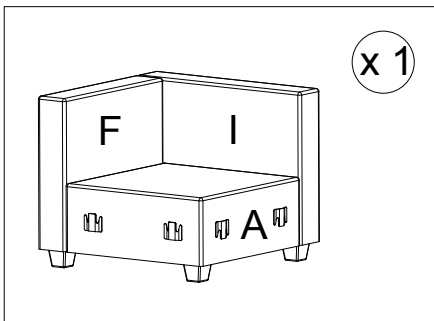


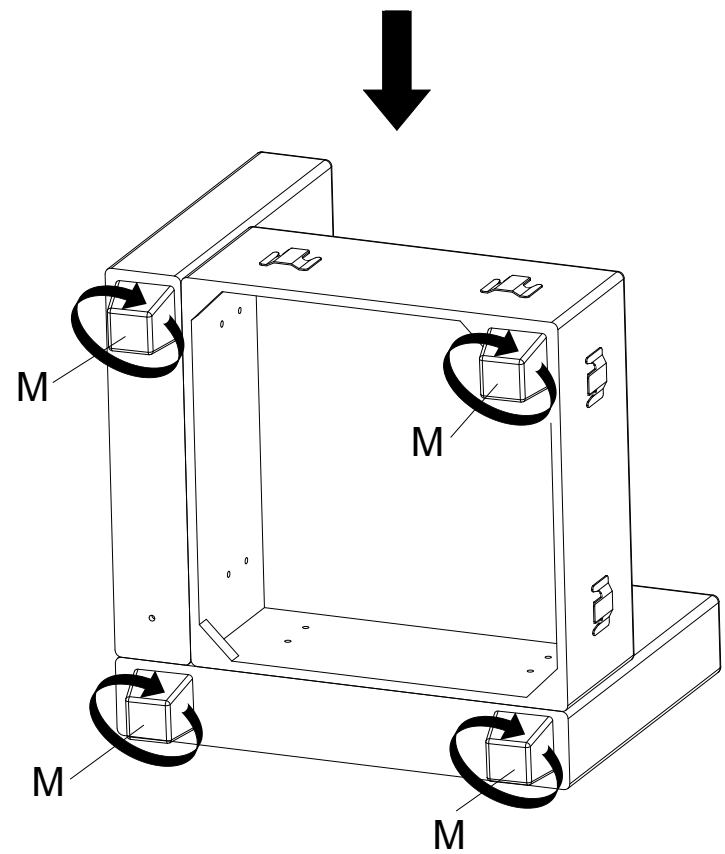
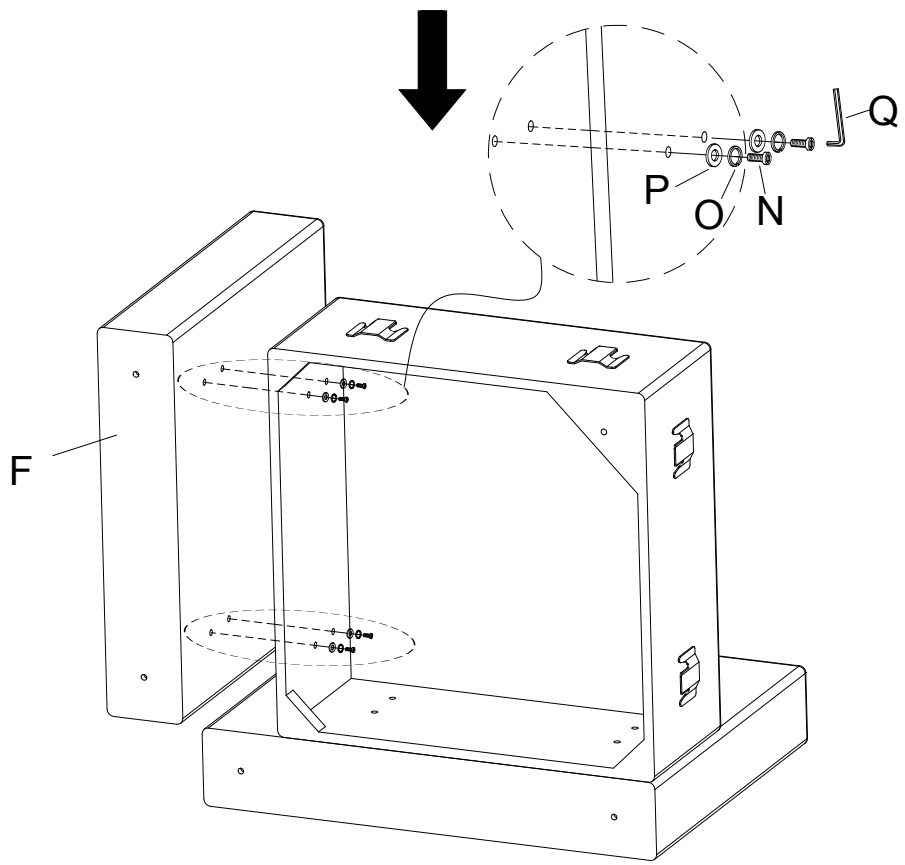
2



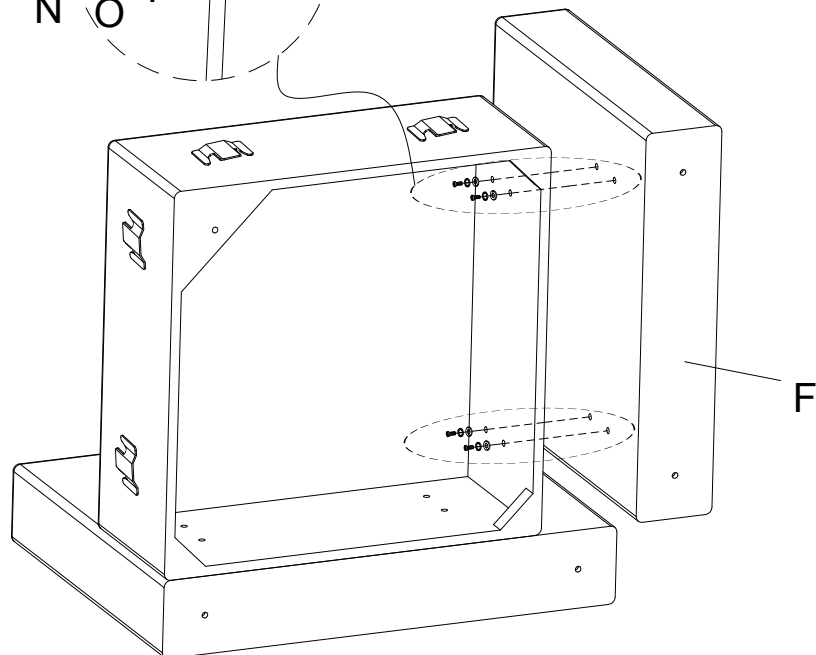
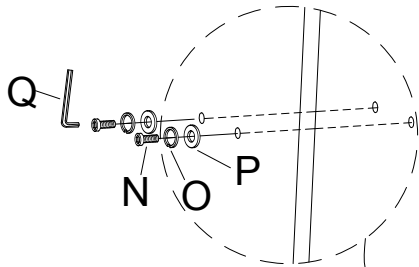
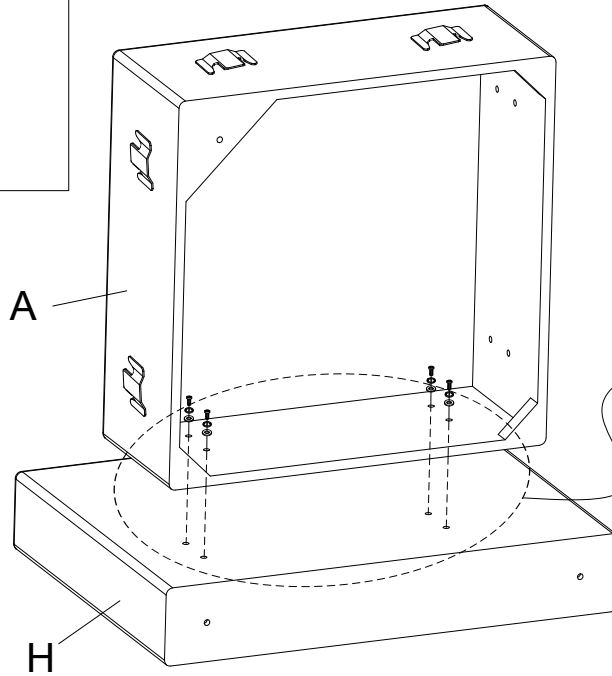
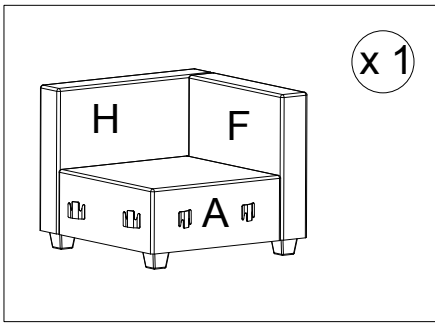


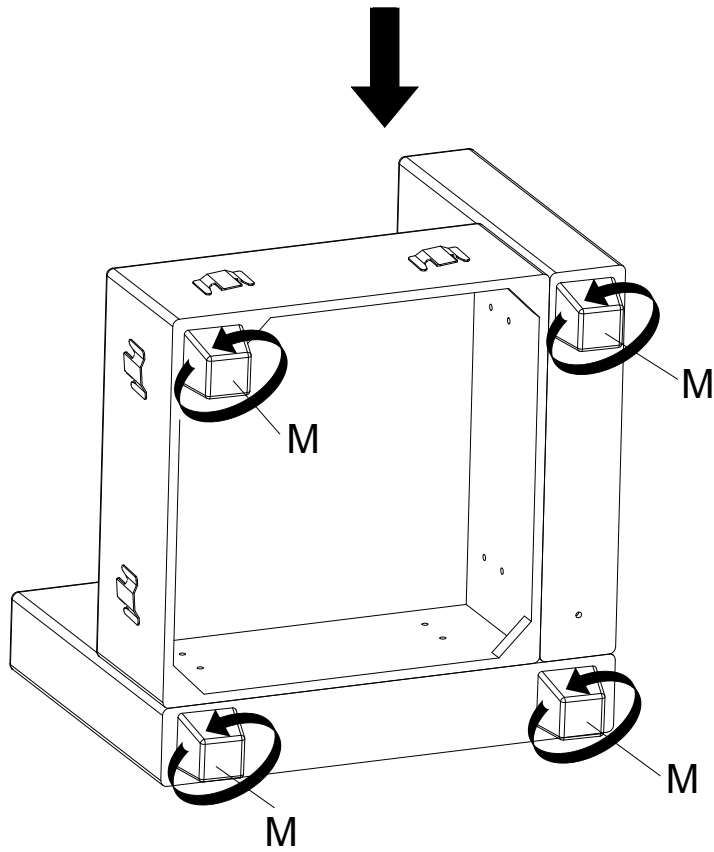
3



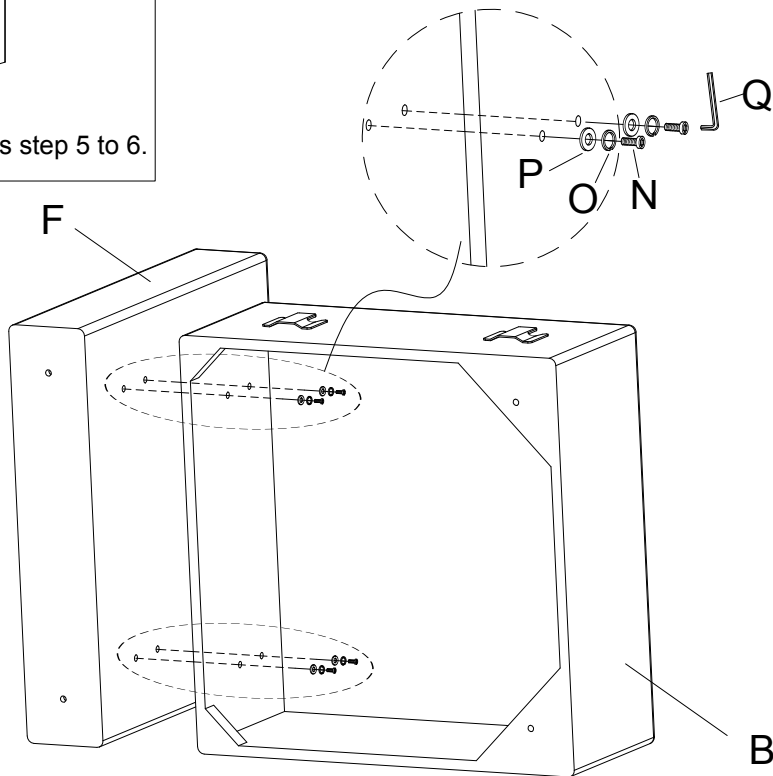
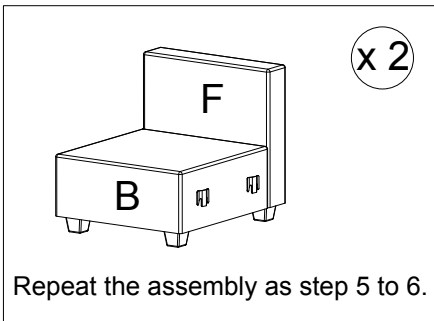


4

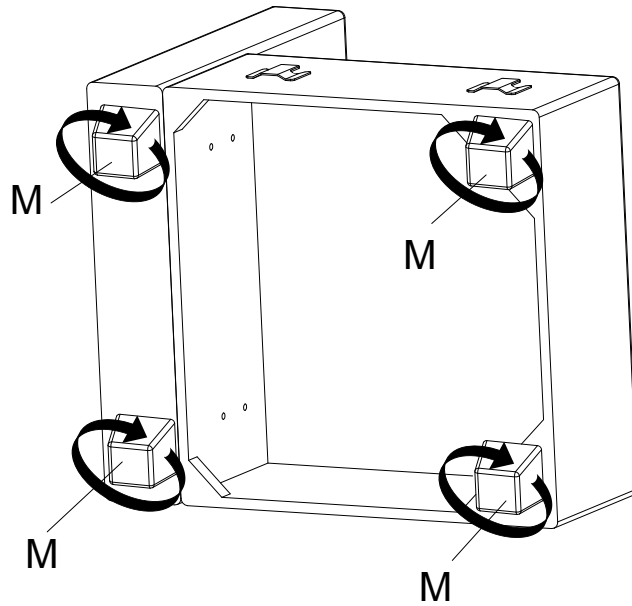




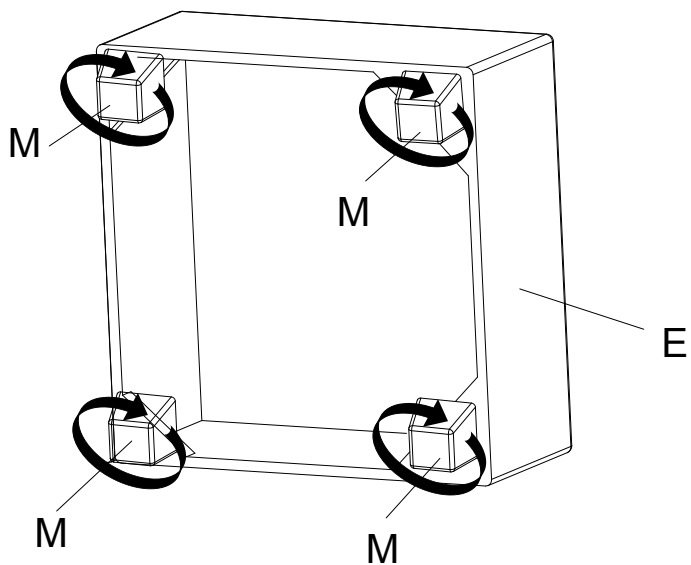
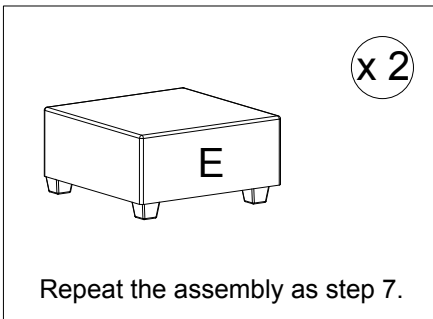
5



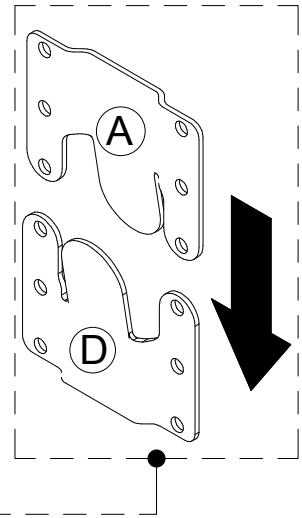
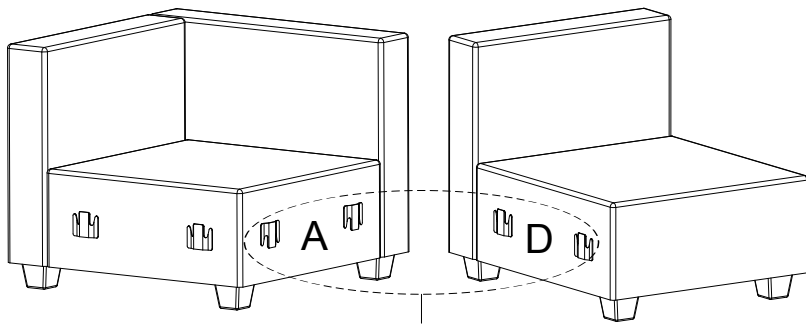
6



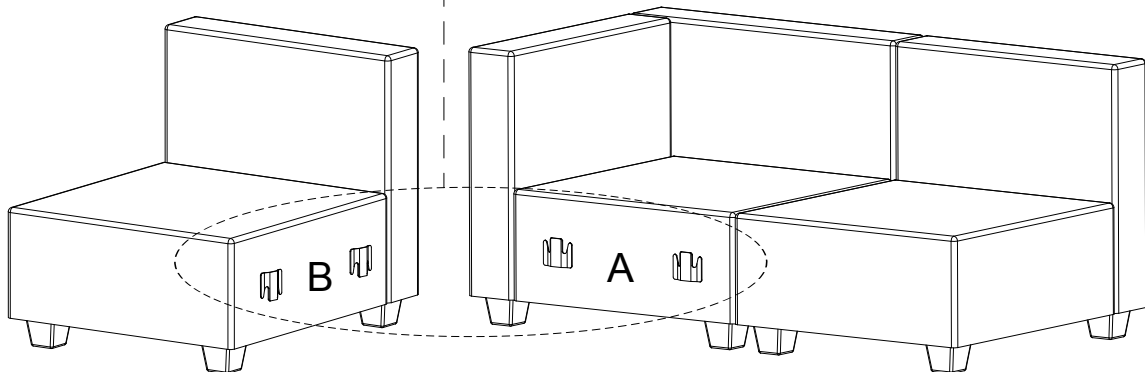
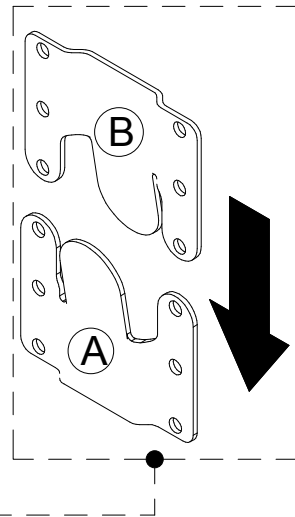
7



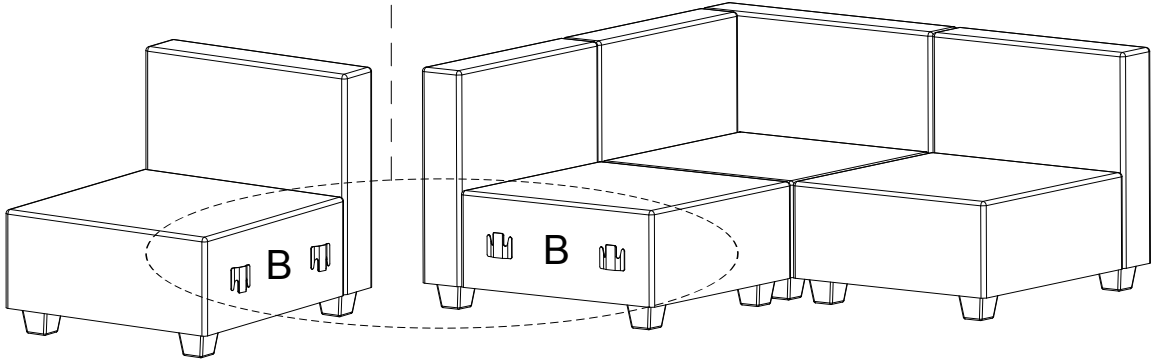
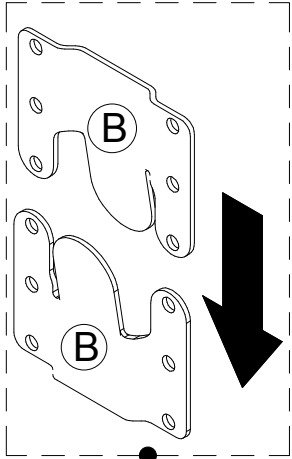
8



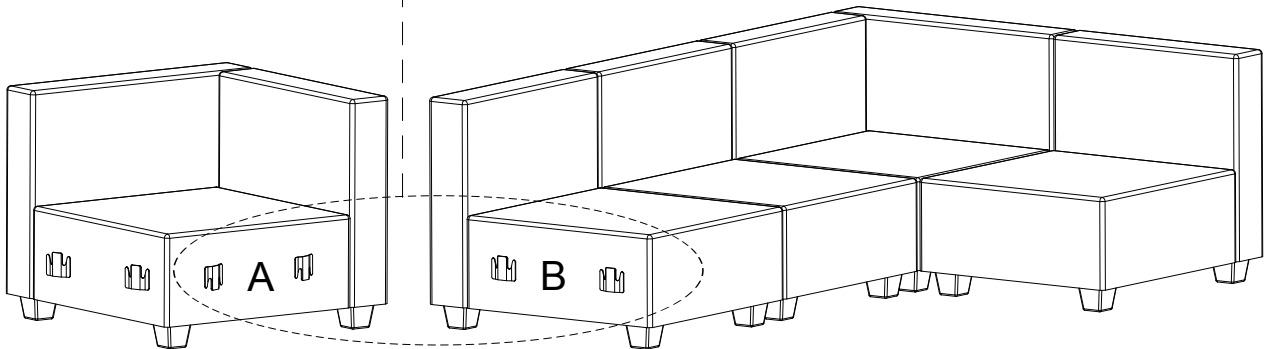
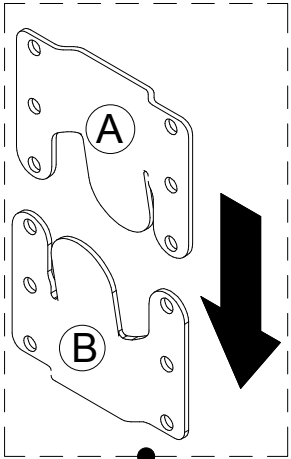
9



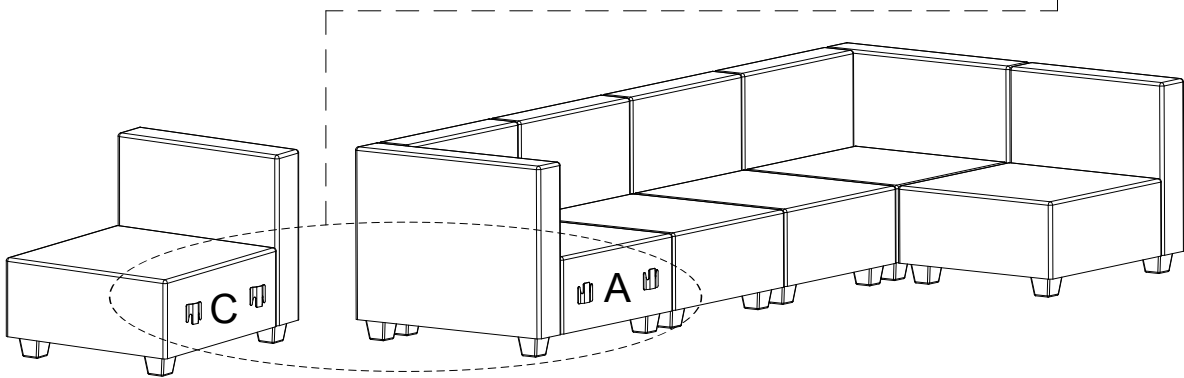
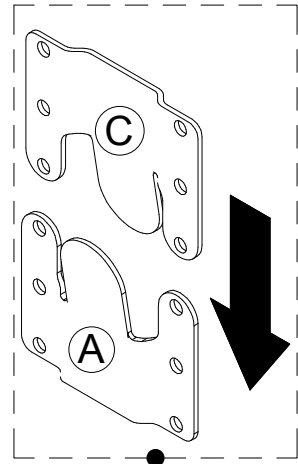
10



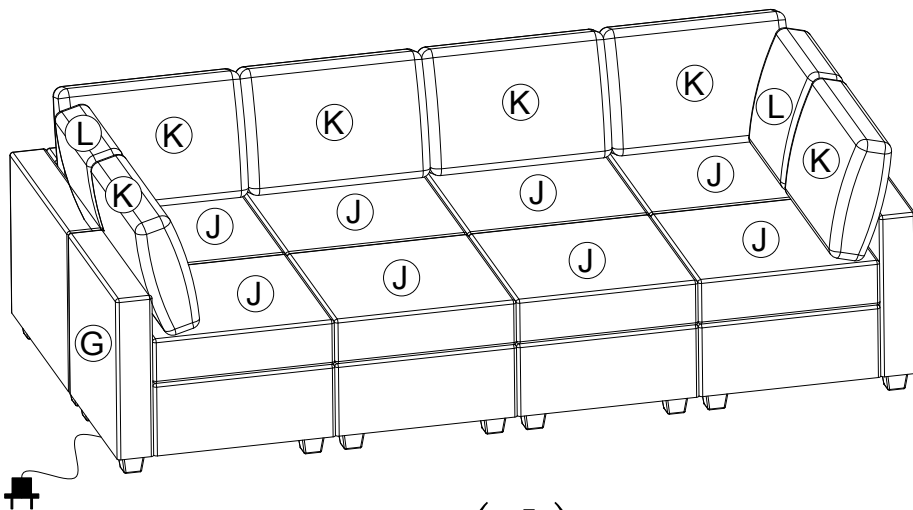
11



12



13



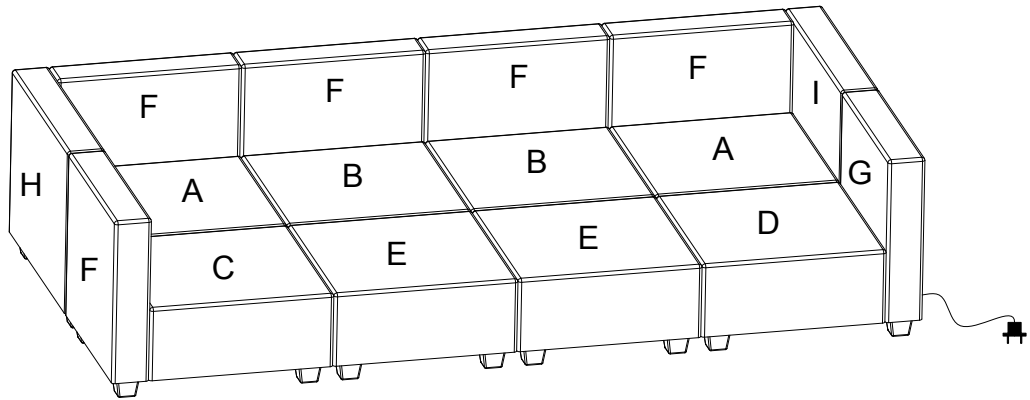
(-L)

Tips: When you find it hard to put the ottomans(J) in the middle of the sofa completely, you can arrange one and then push the other hard from up to down. If you want to take them out, you can lift both ottomans upwards before pulling them out with force.



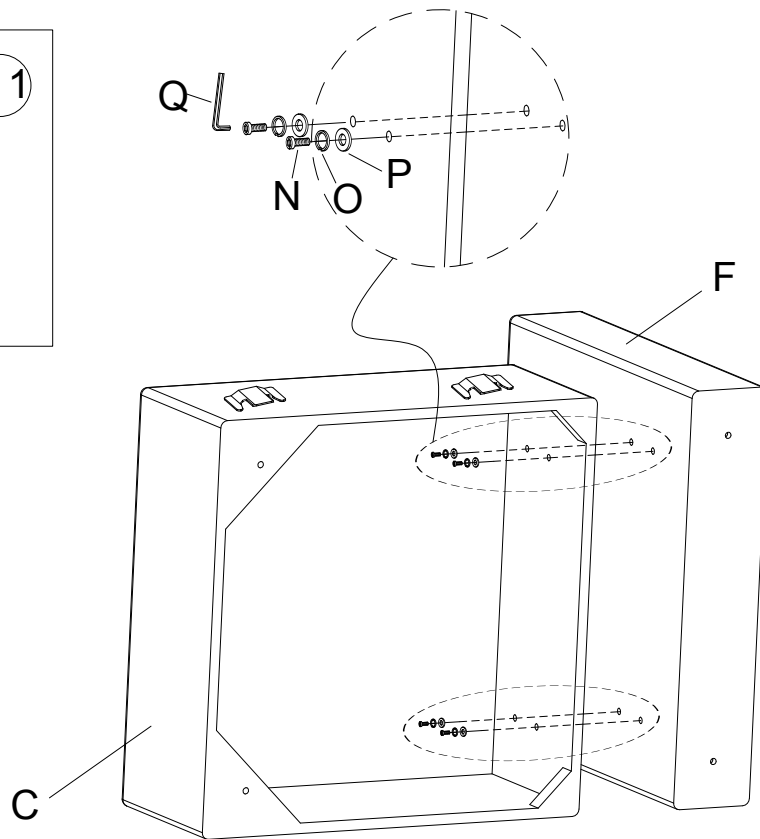
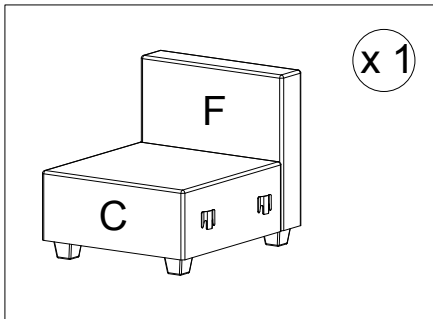
NOTE:

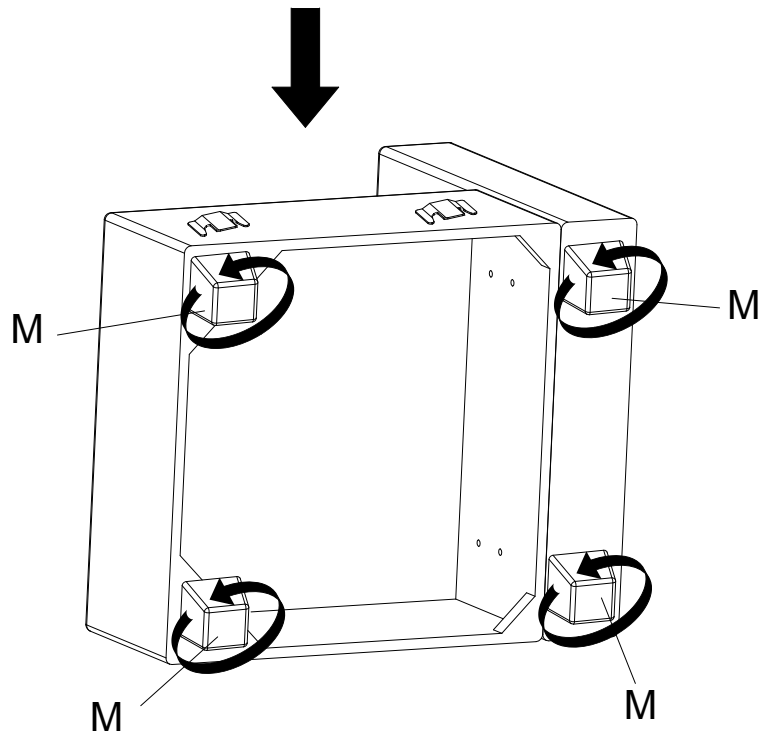
Suggest To assemble the product by 2 or more people.
Do not tighten screws before all product parts be together.



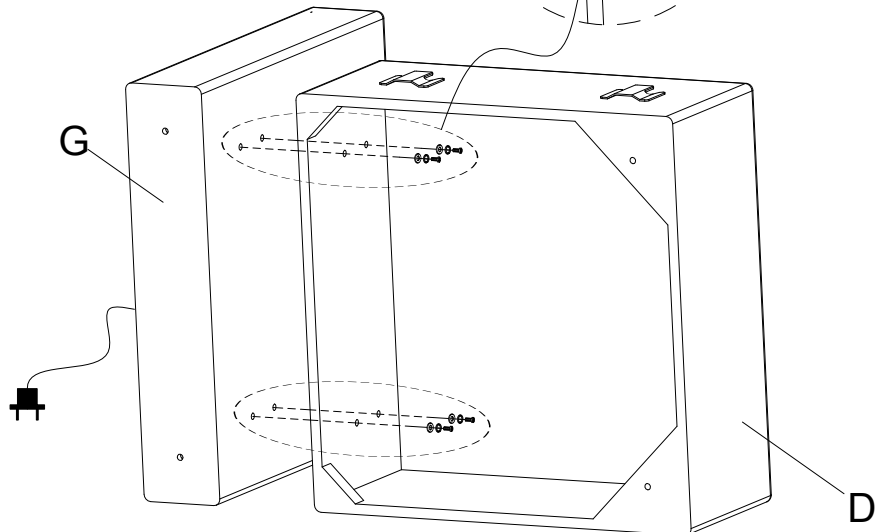
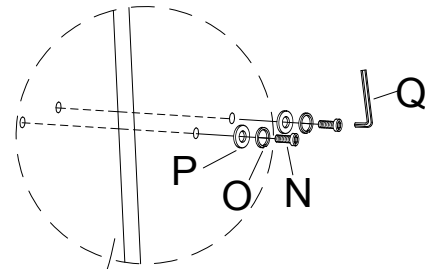
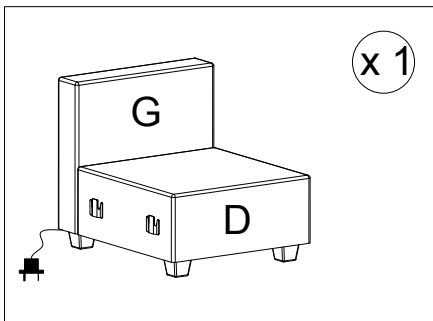
(-R)

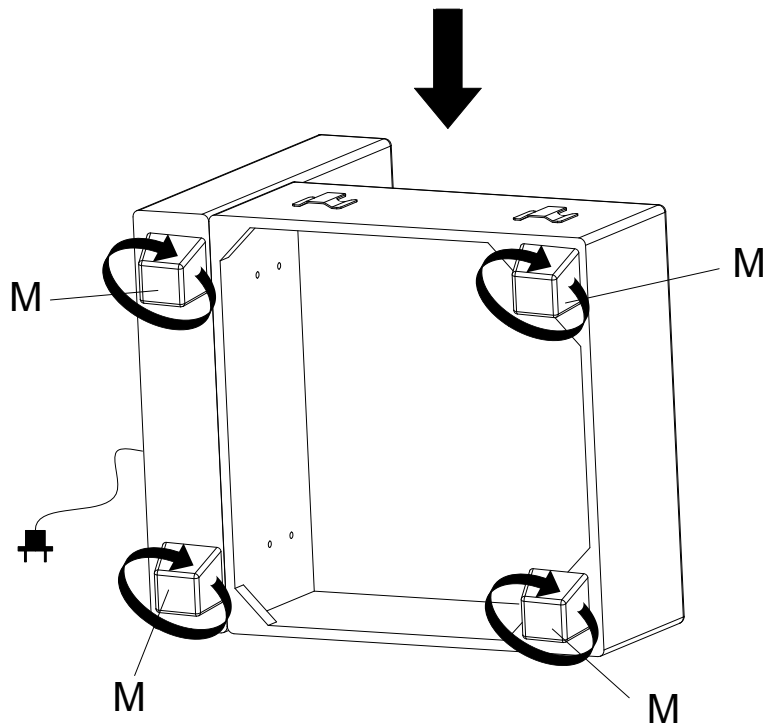
1





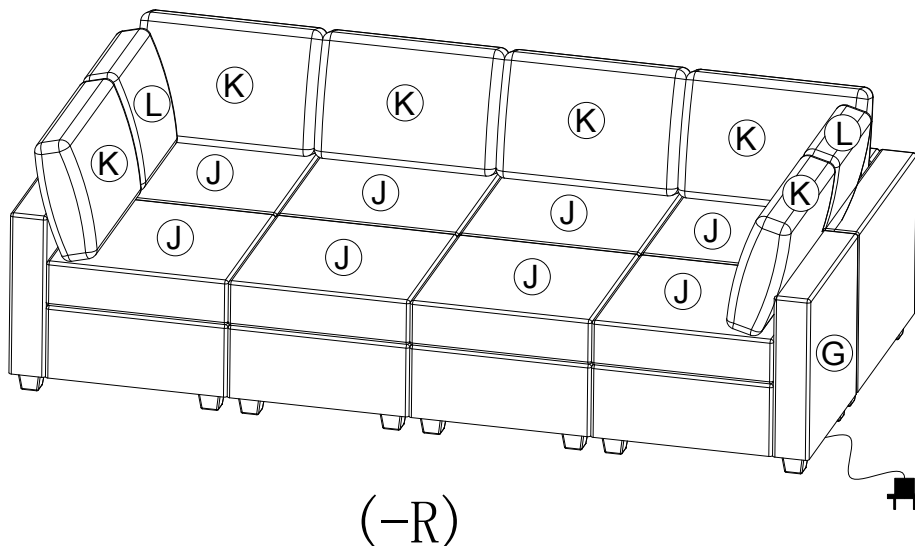
2





Repeat the assembly as step 3 to 12.

13



Tips: When you find it hard to put the ottomans(J) in the middle of the sofa completely, you can arrange one and then push the other hard from up to down. If you want to take them out, you can lift both ottomans upwards before pulling them out with force.