

INSTALLER / CONSUMER SAFETY INFORMATION

PLEASE READ THIS MANUAL BEFORE INSTALLING AND USING APPLIANCE

WARNING

IF THE INFORMATION IN THIS MANUAL IS NOT FOLLOWED EXACTLY, AN ELECTRICAL SHOCK OR FIRE MAY RESULT CAUSING PROPERTY DAMAGE, PERSONAL INJURY OR LOSS OF LIFE.

FOR YOUR SAFETY

*(Service must be performed by a qualified service agency.)
DO NOT STORE OR USE GASOLINE OR OTHER FLAMMABLE VAPORS OR LIQUIDS IN THE VICINITY OF THIS OR ANY OTHER APPLIANCE*

ASSEMBLY & INSTRUCTION MANUAL

General

IMPORTANT INSTRUCTIONS

1. Read all instructions before using this appliance. Failure to follow these instructions may result in a possible electric shock or fire hazard and will void the warranty.
2. **CAUTION:** Extreme caution is necessary when any heater is used by or near children or invalids and whenever the heater is left operating unattended. This appliance can be used by children aged from 8 years and above and persons with reduced physical, sensory or mental capabilities or lack of experience and knowledge if they have been given supervision or instruction concerning use of the appliance in a safe way and understand the hazards involved.
3. Children aged from 3 years and less than 8 years shall only switch on/off the appliance provided that it has been placed or installed in its intended normal operating position and they have been given supervision or instruction concerning use of the appliance in a safe way and understand the hazards involved. Children aged from 3 years and less than 8 years shall not plug in, regulate, or clean the appliance or perform user maintenance.
4. Children under 3 years should be kept away unless continuously supervised.
5. Some parts of this product can become very hot and cause burns. Particular attention has to be given where children and vulnerable people are present.
6. **WARNING:** In order to avoid overheating, do not cover the heater.
7. The heater must not be located immediately below a socket outlet.
8. **CAUTION:** In order to avoid a hazard due to the inadvertent resetting of the thermal cut-out, this appliance must not be supplied through an external switching device, such as a timer, or connected to a circuit that is regularly switched on and off by the utility.
9. If the supply cord is damaged, it must be replaced by the manufacturer, its service agent or a similarly qualified person in order to avoid a hazard.
10. Before connecting the appliance, be sure that the mains voltage available matches that specified on the rating plate, and that the outlet is suitably grounded.
11. Do not attempt to repair, disassemble or modify the appliance. This unit contains no user-serviceable parts.
12. Always unplug or disconnect the appliance from the mains power supply when not in use, or when moving or cleaning it. Do not pull the cord to unplug the heater.
13. Keep the heater clean. Do not allow any object to enter the ventilation or exhaust opening as this may cause electric shock, fire, or damage to the heater. Do not use the appliance for other than its intended use. It is designed for domestic indoor use only.
14. There may be a trace of odour during the first few minutes of initial use, or after a period of storage. This is normal and will quickly disappear.
15. If the glass is damaged, do not use the heater in order to avoid a hazard.
16. Avoid the use of an extension cord, as the cord may overheat and cause a risk of fire.
17. This fireplace is hot when in use. To avoid burns, do not let bare skin touch hot surfaces. If provided, use handles when moving this appliance.
18. Keep combustible materials, such as furniture, pillows, bedding, papers, clothes and curtains at least 3 feet from the front and sides of this appliance.
19. This appliance is designed for indoor use only and is not intended for use in bathrooms, laundry areas and similar indoor locations. Never locate this appliance where it may fall into a bathtub or otherwise become exposed to water.
20. Do not run the cord under carpeting. Do not cover the cord with throw rugs, runners or the like. Ensure the cord is kept away from traffic areas, and kept in a position which would not present a trip hazard.

General

IMPORTANT INSTRUCTIONS

21. To disconnect this appliance, turn the controls to the off position, then remove the plug from the outlet.
22. This appliance has hot and arcing or sparking parts inside. Do not use it in areas where gasoline, paint, or any flammable liquids are used or stored.
23. This appliance should not be used as a drying rack for clothing, nor should Christmas stockings or decorations be hung on or near it.
24. This electric fire is an instant heat source to warm up a room and is great for visual room ambiance it doesn't necessarily need to be used as a constant or permanent source of heating for the home.
25. Clean the fire regularly to prevent the build-up of hairs dust or lint around the fire, as this may cause the outlet to become blocked.
26. Do not use aerosols or steam cleaners on or around the fire.
27. This product is only suitable for well insulated spaces or occasional use.
28. Once the inner temperature of this insert reaches to $85 \pm 2^{\circ}\text{C}$, this insert will off-work.
29. **WARNING:** This heater is not equipped with a device to control the room temperature. Do not use this heater in small rooms when they are occupied by persons not capable of leaving the room on their own, unless constant supervision is provided automatically. To reset temperature limiting control, disconnect power using plug or main switch for 10 minutes.
30. **⚠ WARNING: In order to avoid overheating, do not cover the heater.**
31. **SAVE THESE INSTRUCTIONS.**

ASSEMBLY INSTRUCTIONS

Model Identifier: Calgary 23G					
Item	Symbol	Value	Unit	Item	Unit
Heat Output				Type of heat input, for electric storage local space heaters only (select one)	
Nominal heat output	P_{nom}	2.0	kW	manual heat charge control, with integrated thermostat	No
Minimal heat output	P_{min}	N/A	kW	manual heat charge control with room and/or outdoor temperature feedback	No
Maximum continuous heat output	P_{max}	1.9	kW	electronic heat charge control with room and/or outdoor temperature feedback	No
Auxiliary electricity consumption				fan assisted heat output	No
At nominal heat output	e_{lmax}	N/A	kW	Type of heat output/room temperature control (select one)	
At minimum heat output	e_{lmin}	N/A	kW	single stage heat output and no room temperature control	No
In standby mode	e_{lSB}	0.22	kW	two or more manual stages, no room temperature control	No
				with mechanical thermostat room temperature control	No
				with electronic room temperature control	No
				with electronic room temperature control plus day timer	No
				with electronic room temperature control plus week timer	Yes
				Other control options (multiple selections possible)	
				room temperature control with presence detection	No
				room temperature control, with open window detection	Yes
				with distance control option	No
				with adaptive start control	No
				with working time limitation	No
				with black bulb sensor	No

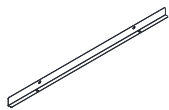
ASSEMBLY INSTRUCTIONS

REQUIRED TOOLS



Phillips
Screwdriver
(not included)

HARDWARE



AA x 1



BB x 2

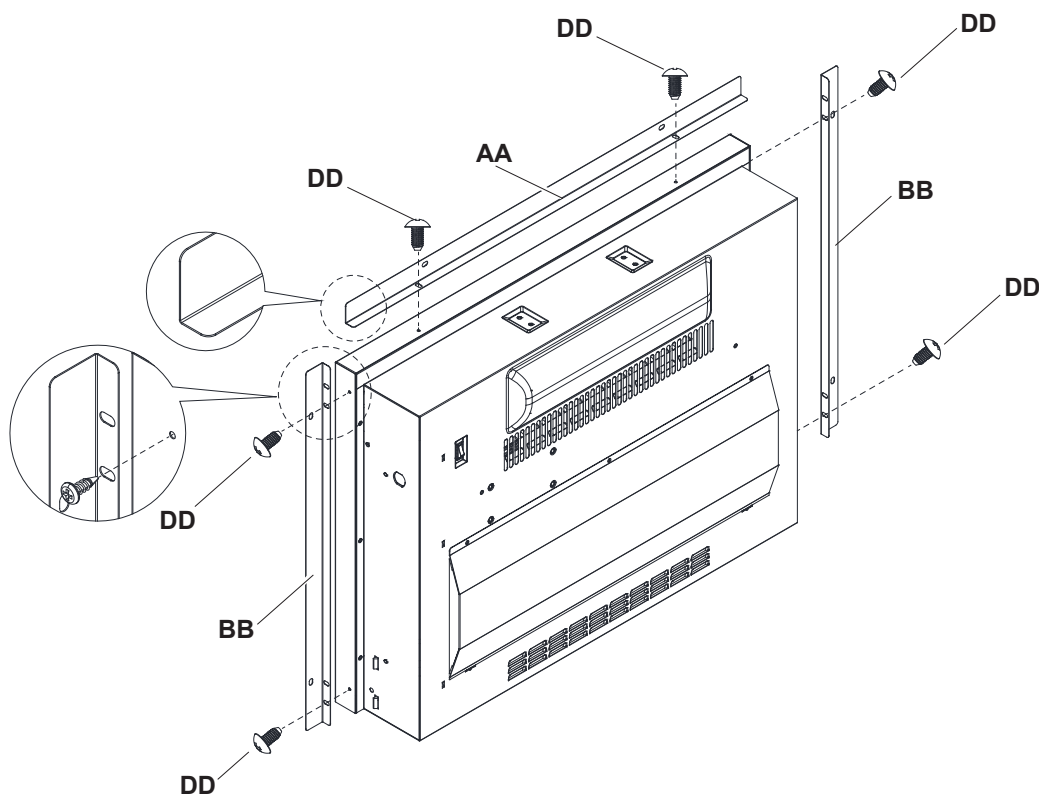


Φ4 X 10mm
CC x 6+2 extra

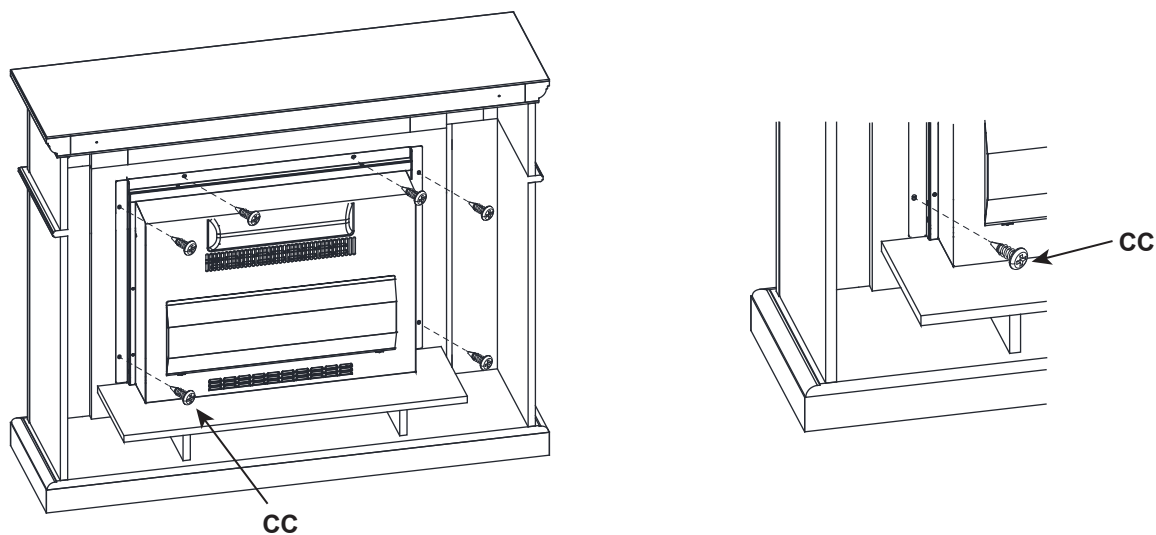


Φ4 X 6mm
DD x 6+2 extra

1. ATTACHING THE METAL TRIMS



2. INSTALLING THE FIREPLACE INSERT



OPERATING INSTRUCTIONS

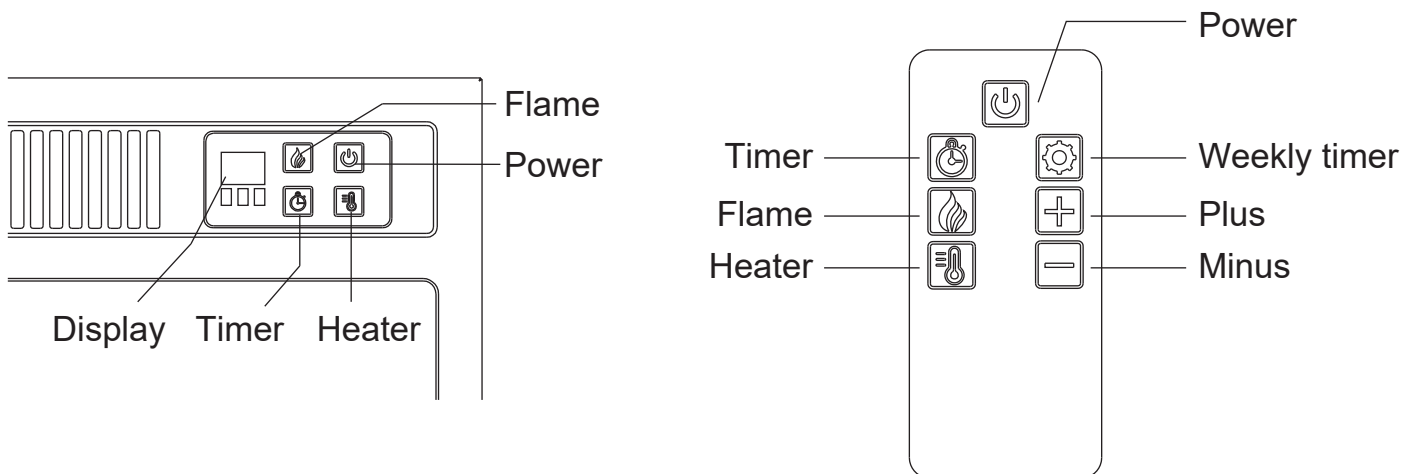
ELECTRIC FIREPLACE SPECIFICATIONS

Fireplace Insert Dimensions(W x D x H)	23 x 5 x 17 1/8 inch 58.4 x 12.8 x 43.5 cm
Net Weight	7.2kg
Voltage	220V~240VAC
Frequency	50Hz
Watts	1800~2000 Watts

CONTROL PANEL AND REMOTE CONTROL

The control panel is located on the top right corner of the fireplace/heater unit.

When a function is changed from the control panel or remote there will be a corresponding indicator displayed. The indicator shows the function changed and the level selected. When the function is turned off, the corresponding indicator will fade

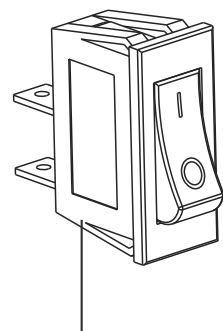


NOTE: The remote control cannot lock/unlock the flame and heating function, and it cannot switch between Fahrenheit and Celsius.

TOGGLE SWITCH

The toggle switch is located on the back of the unit.

NOTE: Before using the fireplace please make sure set the toggle switch on the "I". Set the toggle switch to the "O" if you would like to turn off the unit.



Toggle switch

OPERATING INSTRUCTIONS



Power

This button will not only put the fireplace insert in a standby mode, but also you can see the flame effect through the screen. This will turn off all functions at once.



Timer

Pressing the timer button repeatedly will cycle through the following timer.

Settings: 30 minutes, 1 hour, 2 hours, 3 hours, 4 hours, 5 hours, 6 hours and off.

The display shows: 30-1H-2H-3H-4H-5H-6H-None.

The fireplace will automatically turn off when the timer reaches zero minute.



Flame

This button controls the flame effect. Allows you to adjust the flame to suit your mood.

Press this button to increase/decrease the flame effect.

Change the flame by pressing flame button repeatedly.

The brightness level of flame is as follows: high-medium-low -off. And the display shows L3 -L2- L1 accordingly.



Heater

The default setting temperature is 72°F (22°C).

Hold the heater button for 5 seconds the display will flash, then change temperature by pressing heater button repeatedly.

The thermostat setting range is 62°-82°F or 17°-27°C.

To change between °F and °C press and hold the Power button for 5 seconds when the heater is on.

After setting, the display unit will flash 5 times.



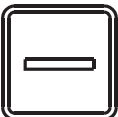
Weekly timer

Use the TIMER button to turn on the weekly timer.



Plus

Time and temperature increase during weekly timer setting.



Minus

Time and temperature decrease during weekly timer setting.

OPERATING INSTRUCTIONS

WEEKLY TIMER SETTING OPERATION

1. Press Weekly timer Button to start weekly timer setting, and the display will show "0".

Note: Other number means the weekly timer has been set.

2. Press Weekly timer Button a second time until the back digits start flashing, the display shows "1 d" that means the weekly timer start from today.

1 d = First day (Today)

2 d = Second day (Tomorrow)

3 d = Third day

4 d = Fourth day

5 d = Fifth day

6 d = Sixth day

7 d = Seventh day

3. Press Weekly timer Button a third time to set the start working hours. Using the [+] and [-] to adjust. (0~23)

4. Press Weekly timer Button a fourth time to set power-off working hours. Using the [+] and [-] to adjust. (0~23)

5. Press Weekly timer Button a fifth time to set temperature. Using the [+] and [-] to adjust. (17~27 or on/off)

6. Press Weekly timer Button a sixth time for next day, the display will show "2 d", the operation method is same as above.

7. Repeat the above operation for each day!

If no press around 5 seconds during the time setting, it will automatically exit the 7-day weekly timer setting.

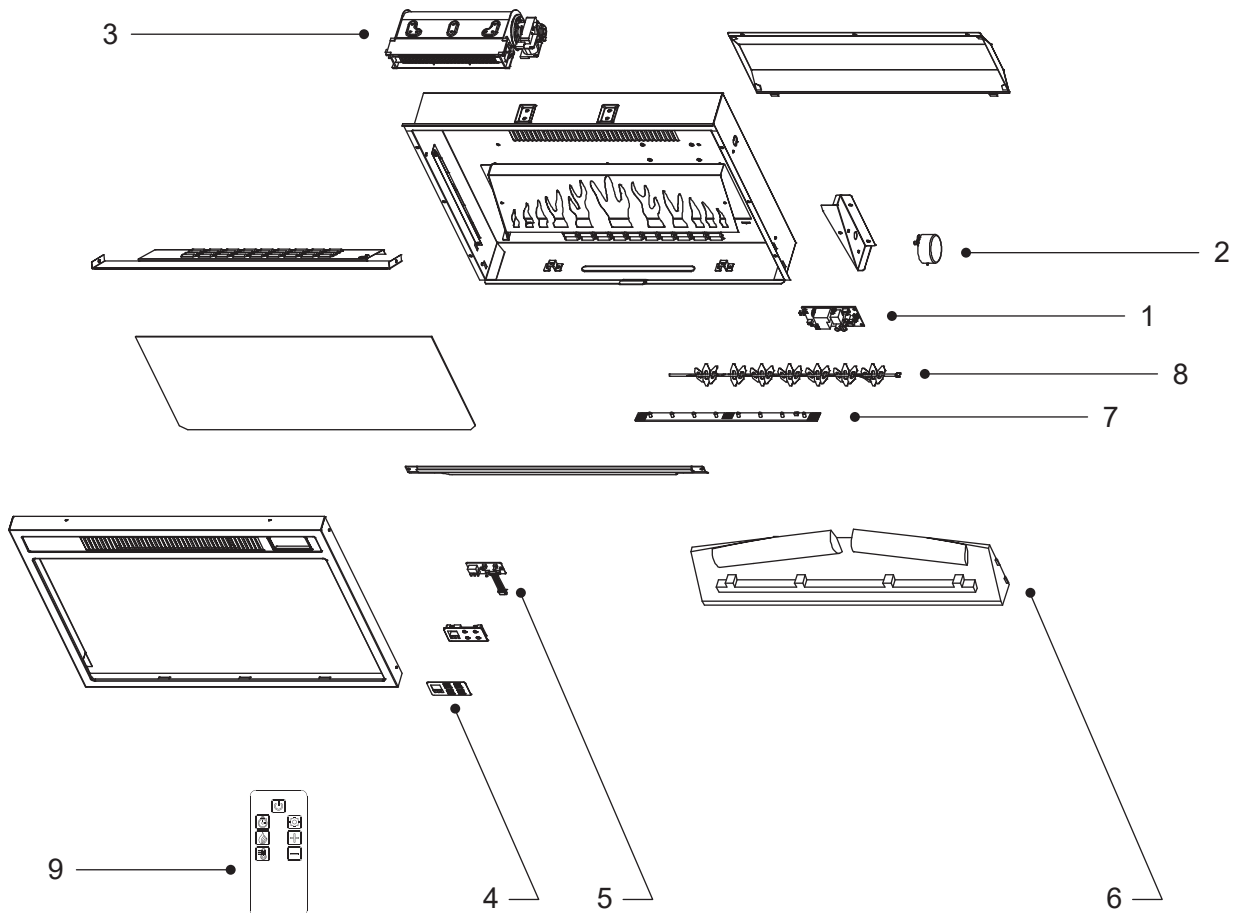
OPEN WINDOW FUNCTION (ADDITIONAL HIDDEN FUNCTIONS)

In the thermostat control heating mode, when the ambient temperature drops over 3 °C in 30 minutes, the display shows "00" and flashes, this means there is window open or there may exist some cooling items opened, at the same time the temperature control turns the heating off. You will need to turn the appliance off to stop the flashes.

REPLACEMENT PARTS LIST AND EXPLODED VIEW

Part	Part name
1	Main circuit board
2	Flame generator drive motor
3	Heater / blower assembly
4	Control panel buttons
5	Control panel circuit board
6	Emberbed with log
7	Flame effect circuit board
8	Flame generator / spinner
9	Remote control

Some parts and specifications may change without notice.



TROUBLE SHOOTING GUIDE

PROBLEM	POSSIBLE CAUSE AND SUGGESTED SOLUTION
Fire is not switching on.	<ol style="list-style-type: none"> 1.Ensure mains switch is on. 2.Check that the unit is plugged into a standard 220-240V outlet. 3. Replace the fuse in the plug.
Logs glow but flame effect does not work.	Check to see if the spinning motor is working.
Heater doesn't work, but Power and Heater switches / buttons are in the "ON" position	Turn all switches / buttons to the "OFF" position and unplug the unit from the wall outlet for 10 minutes. After 10 minutes plug the unit back into wall outlet, and operate as normally.
Fire seems noisy.	<ol style="list-style-type: none"> 1.There is a level of noise when the flame effect is in use, caused by a motor that helps generate the effect. This noise will be heard when there is no other background noise. 2.There is a higher level of noise associated with the heater motor; this is due to the air flow required when heat has been selected.
There is a visible flame effect, but the heater does not blow warm air.	<ol style="list-style-type: none"> 1. Check that the temperature setting exceeds the room temperature. 2. Turn on/off the Heater button several times to make sure it is in the "ON" position
Remote is not operating	<ol style="list-style-type: none"> 1. Repeatedly pressing buttons in rapid succession may cause the transmitter to malfunction. Operate remote transmitter at a slow measured pace. Press the remote control buttons with an even motion and gentle pressure. 2. Check or replace batteries.

INSTRUCTIONS

BATTERY REPLACEMENT

The fire is supplied with an IR multifunction remote.
Before the remote will operate the plastic insulating sheet needs to be removed.

Battery Requirements: CR2025

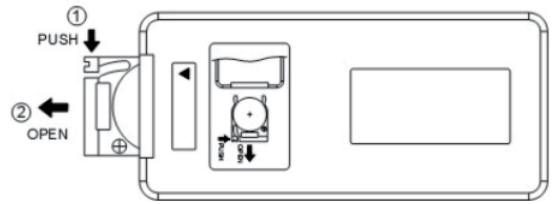
1. Locate and remove the battery bracket.
2. The battery has two sides, one with a button feature, and the other is flat.
3. Insert the battery with the button side down into the battery bracket, making sure the battery is firmly seated.

Batteries should be removed if the product is to be left unused for a long period of time.

The batteries may contain hazardous substances that could endanger the environment and human health.

This symbol appearing on the battery and/or packaging indicates that used batteries must not be processed with municipal waste. Instead they should be brought to the appropriate collection point for recycling.

By correctly disposing of used batteries, you prevent potential negative consequences for the environment and human health. Recycling used materials also preserves our natural resources. For more information about collecting and recycling used batteries, please contact your local municipality, your waste disposal service or the store where you purchased this product.



SAFETY CUT-OUT SYSTEM

NOTE: The LED display panel will remain operational if the cut-out is activated, only the fan heater elements are prevented from operating.

This product has one non-self-resetting overheat protection device (thermal cut-out) which will activate if the air inlets or outlets are obstructed. For safety reasons the fire will NOT switch on again automatically, the following procedure must be carried out before the fire can be operated.

NOTE: The visual effect will remain operational if the cutout is activated, only the fan heater is prevented from working.

Switch OFF the appliance at the wall socket or outlet. Leave the fire OFF for a period of no less than 10 minutes, ensuring all obstructions are removed. Switch the appliance ON at the wall. Ensure the appliance is turned ON at the control switches. If the fire fails to operate correctly, repeat the above procedure. If an attempt to switch on the appliance is made before the safety cutout has reset, the appliance may cut out for a further period of time. If the sequence has been followed correctly and the appliance still fails to function, check the fuse in the wall outlet. If this is not the cause, call an electrician or maintenance engineer.

CLEANING AND MAINTENANCE

ALWAYS DISCONNECT THE APPLIANCE FROM THE MAINS SUPPLY OUTLET SOCKET BEFORE UNDERTAKING ANY CLEANING OR MAINTENANCE!

For general cleaning use a soft clean duster - never use harsh abrasive or cleaners. The glass viewing screen should be cleaned carefully with a soft cloth.

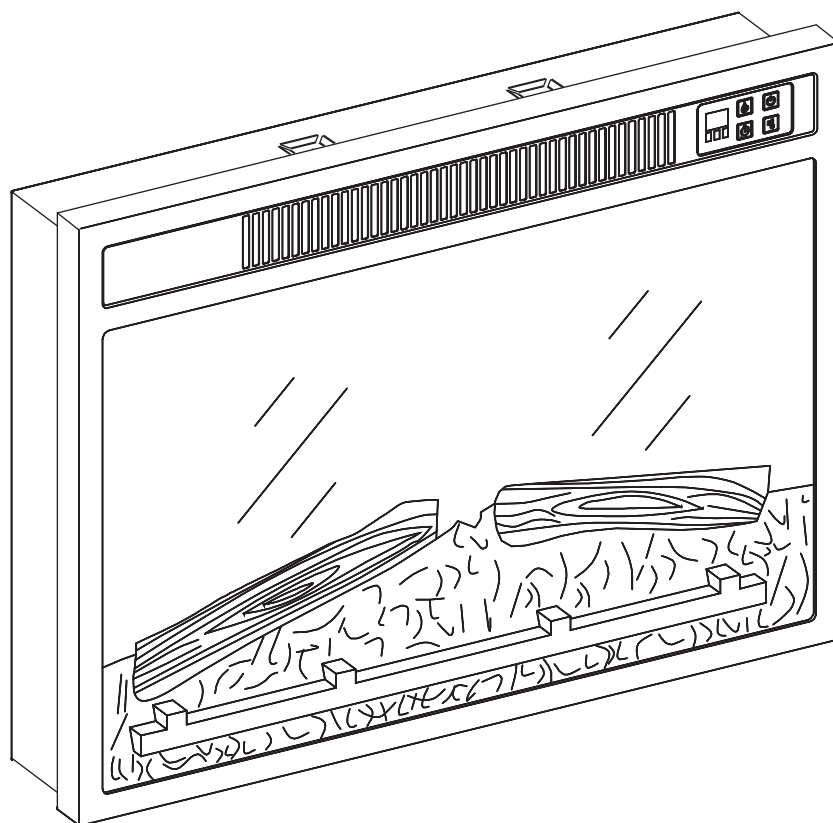
If in doubt consult a qualified electrician.

Excluding fuses, use only genuine manufacturers spare parts available from your supplier.

Replacing the remote control battery:

When the battery becomes weak, the range of the remote control becomes shorter. Replace the battery with a new CR2025 lithium battery.

NOTE: Keep the lithium battery out of the reach of children.



**INFORMATIONS SUR LA SÉCURITÉ D'INSTALLATION ET D'UTILISATION
VEUILLEZ LIRE CE MANUEL AVANT D'INSTALLER ET D'UTILISER L'APPAREIL**



AVERTISSEMENT

SI LES INFORMATIONS CONTENUES DANS CE MANUEL NE SONT PAS SUIVIES À LA LETTRE, UN CHOC ÉLECTRIQUE OU UN INCENDIE PEUT EN RÉSULTER ET PROVOQUER DES DOMMAGES MATÉRIELS, DES BLESSURES OU DES PERTES DE VIE.

POUR VOTRE SÉCURITÉ

(Le service doit être effectué par une agence qualifiée)
NE PAS ENTREPOSER OU UTILISER D'ESSENCE OU D'AUTRES VAPEURS OU LIQUIDES INFLAMMABLES À PROXIMITÉ DE CET APPAREIL OU DE TOUT AUTRE APPAREIL

MANUEL D'ASSEMBLAGE ET D'INSTRUCTIONS

1. Lisez toutes les instructions avant d'utiliser cet appareil. Le non-respect de ces instructions peut entraîner un risque de choc électrique ou d'incendie et annuler RQ la garantie.
2. **ATTENTION** : Une extrême prudence est nécessaire lorsqu'un appareil de chauffage est utilisé par ou près d'enfants ou d'invalides et chaque fois que l'appareil est laissé en fonctionnement sans surveillance. Cet appareil peut être utilisé par des enfants à partir de 8 ans et par des personnes ayant des capacités physiques, sensorielles ou mentales réduites ou un manque d'expérience et de connaissances s'ils ont reçu une supervision ou des instructions concernant l'utilisation de l'appareil en toute sécurité et s'ils comprennent les risques encourus.
3. Les enfants âgés de 3 ans à moins de 8 ans ne peuvent allumer/éteindre l'appareil que s'il a été placé ou installé dans la position normale de fonctionnement prévue et s'ils ont reçu une surveillance ou des instructions concernant l'utilisation de l'appareil en toute sécurité et comprennent les risques encourus.
Les enfants âgés de 3 ans à moins de 8 ans ne doivent pas brancher, régler ou nettoyer l'appareil ou effectuer des opérations de maintenance.
4. Les enfants de moins de 3 ans doivent être tenus à l'écart, sauf s'ils sont surveillés en permanence.
5. Certaines parties de ce produit peuvent devenir très chaudes et provoquer des brûlures. Une attention particulière doit être accordée aux endroits où des enfants et des personnes vulnérables sont présents.
6. **AVERTISSEMENT** : Afin d'éviter toute surchauffe, ne couvrez pas l'appareil de chauffage.
7. L'appareil de chauffage ne doit pas être placé immédiatement sous une prise de courant.
8. **ATTENTION** : Afin d'éviter tout risque de réenclenchement intempestif du coupe-circuit thermique, cet appareil ne doit pas être alimenté par un dispositif de commutation externe, tel qu'une minuterie, ou connecté à un circuit régulièrement mis en marche et arrêté par le service public.
9. Si le cordon d'alimentation est endommagé, il doit être remplacé par le fabricant, son agent de service ou une personne de qualification similaire afin d'éviter tout risque.
10. Avant de brancher l'appareil, assurez-vous que la tension du secteur disponible correspond à celle indiquée sur la plaque signalétique et que la prise est correctement mise à la terre.
11. N'essayez pas de réparer, de démonter ou de modifier l'appareil. Cet appareil ne contient aucune pièce réparable par l'utilisateur.
12. Débranchez ou déconnectez toujours l'appareil du réseau électrique lorsqu'il n'est pas utilisé, ou lorsqu'il est déplacé ou nettoyé. Ne tirez pas sur le cordon pour débrancher l'appareil.
13. Maintenez cet appareil propre. Ne laissez aucun objet pénétrer dans l'ouverture de ventilation ou d'échappement, car cela pourrait provoquer un choc électrique, un incendie ou endommager le réchauffeur. N'utilisez pas l'appareil pour un usage autre que celui auquel il est destiné. Il est conçu pour un usage domestique à l'intérieur uniquement.
14. Il peut y avoir une trace d'odeur pendant les premières minutes de la première utilisation, ou après une période de stockage. Ceci est normal et disparaîtra rapidement.
15. Si le verre est endommagé, n'utilisez pas l'appareil afin d'éviter tout danger.
16. Évitez l'utilisation d'une rallonge, car le cordon peut surchauffer et entraîner un risque d'incendie.

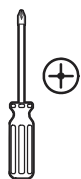
17. Ce foyer est chaud lorsqu'il est utilisé. Pour éviter les brûlures, ne laissez pas la peau nue toucher les surfaces chaudes. Si cela est prévu, utilisez des poignées pour déplacer cet appareil.
18. Gardez les matériaux combustibles, tels que les meubles, les oreillers, la literie, les papiers, les vêtements et les rideaux à au moins 3 pieds de l'avant et des côtés de cet appareil.
19. Cet appareil est conçu pour être utilisé à l'intérieur uniquement et n'est pas destiné à être utilisé dans les salles de bain, les buanderies et autres endroits intérieurs similaires. Ne placez jamais cet appareil dans un endroit où il pourrait tomber dans une baignoire ou être exposé à l'eau.
20. Ne faites pas passer le cordon sous un tapis. Ne recouvrez pas le cordon avec des tapis, des patins ou autres. Veillez à ce que le cordon soit éloigné des zones de circulation et placé dans une position qui ne présente pas de risque de trébuchement.
21. Pour débrancher cet appareil, mettez les commandes en position d'arrêt, puis retirez la fiche de la prise.
22. Cet appareil contient des pièces chaudes et arquées ou qui produisent des étincelles. N'utilisez pas cet appareil dans des endroits où l'on utilise ou stocke de l'essence, de la peinture ou tout autre liquide inflammable.
23. Cet appareil ne doit pas être utilisé comme étendoir pour les vêtements, et les bas de Noël ou les décorations ne doivent pas être accrochés dessus ou près de l'appareil.
24. Ce foyer électrique est une source de chaleur instantanée pour réchauffer une pièce et est idéal pour l'ambiance visuelle de la pièce. Il n'est pas nécessaire de l'utiliser comme une source de chauffage constante ou permanente pour la maison.
25. Nettoyez régulièrement le foyer pour éviter l'accumulation de poils, de poussière ou de peluches autour du feu, car cela pourrait bloquer la sortie.
26. N'utilisez pas d'aérosols ou de nettoyeurs à vapeur sur ou autour du foyer.
27. Ce produit ne convient qu'aux espaces bien isolés ou à une utilisation occasionnelle.
28. Lorsque la température interne du foyer atteint $85 \pm 2^{\circ}\text{C}$, le foyer s'arrête de fonctionner.
29. **AVERTISSEMENT** : Cet appareil de chauffage n'est pas équipé d'un dispositif de contrôle de la température ambiante. N'utilisez pas cet appareil dans de petites pièces lorsqu'elles sont occupées par des personnes incapables de quitter la pièce par leurs propres moyens, à moins qu'une surveillance constante ne soit assurée automatiquement. Pour réinitialiser la commande de limitation de la température, débranchez l'appareil à l'aide de la fiche ou de l'interrupteur principal pendant 10 minutes.
30. **⚠ AVERTISSEMENT** : Afin d'éviter toute surchauffe, ne couvrez pas l'appareil de chauffage.
31. **CONSERVEZ CES INSTRUCTIONS.**

INSTRUCTIONS DE MONTAGE

Identificateur de modèle : Calgary23G						
Article	Symbole	Valeur	Unité	Article	Unité	
Production de chaleur				Type d'apport de chaleur, uniquement pour les chauffages électriques à accumulation locaux (sélectionnez une option)		
Puissance calorifique nominale	P_{nom}	2.0	kW	Contrôle manuel de la charge thermique, avec thermostat intégré	Non	
Production de chaleur minimale	P_{min}	N/A	kW	Régulation manuelle de la charge thermique avec retour d'information sur la température ambiante et/ou extérieure	Non	
Puissance maximale de chaleur continue	P_{max}	1.9	kW	Régulation électronique de la charge thermique avec retour d'information sur la température ambiante et/ou extérieure	Non	
Consommation électrique auxiliaire				Sortie de chaleur assistée par ventilateur		Non
A la puissance thermique nominale	e_{lmax}	N/A	kW	Type de contrôle de la puissance calorifique et de la température ambiante (sélectionnez une option)		
A la puissance calorifique minimale	e_{lmin}	N/A	kW	Sortie de chaleur à un seul étage et pas de contrôle de la température ambiante	Non	
En mode veille	e_{lsb}	0.22	kW	Deux ou plusieurs étapes manuelles, pas de contrôle de la température ambiante	Non	
				Avec thermostat mécanique régulation de la température ambiante	Non	
				Avec régulation électronique de la température ambiante	Non	
				Avec régulation électronique de la température ambiante et minuterie journalière	Non	
				Avec contrôle électronique de la température ambiante et minuterie hebdomadaire	Oui	
				Autres options de contrôle (sélections multiples possibles)		
				Contrôle de la température ambiante avec détection de présence	Non	
				Contrôle de la température ambiante, avec détection de fenêtre ouverte	Oui	
				Avec option de contrôle de distance	Non	
				Avec contrôle adaptatif du démarrage	Non	
				Avec limitation du temps de travail	Non	
				Avec capteur à ampoule noire	Non	

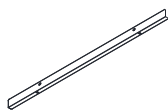
INSTRUCTIONS D'ASSEMBLAGE

OUTILS

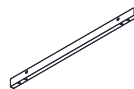


Phillips
Tournevis
(Non inclus)

Matériel



AA x 1



BB x 2

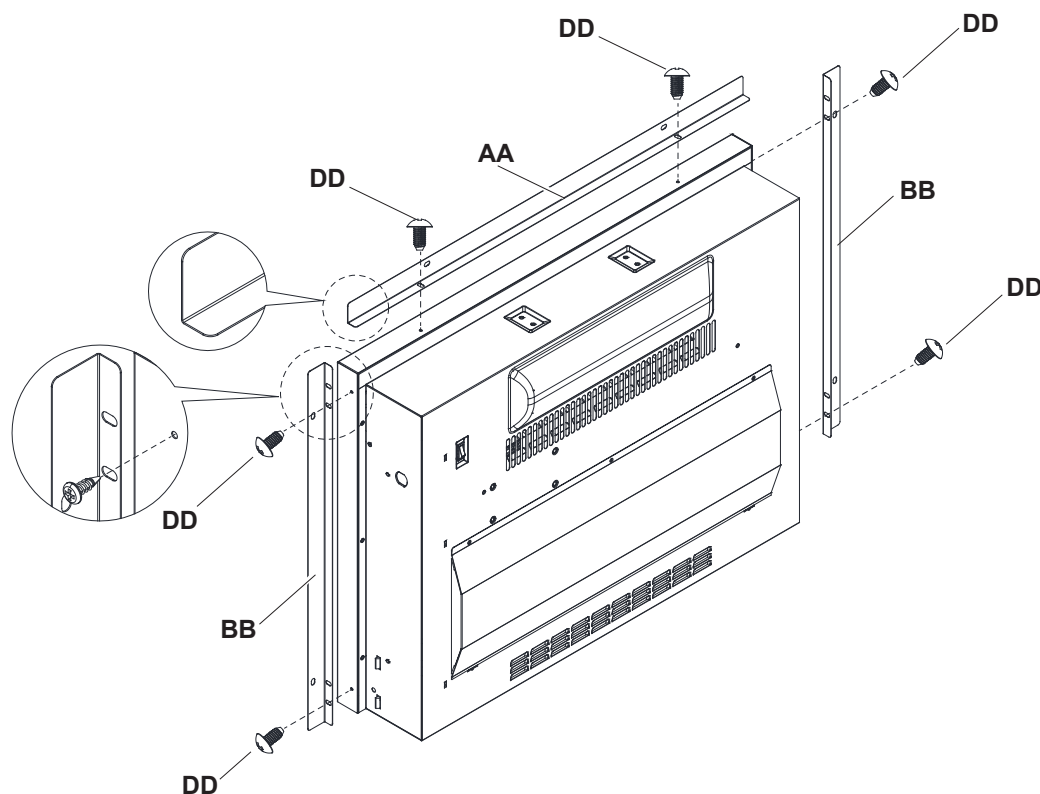


$\phi 4 \times 10\text{mm}$
CC x 6+2 extra

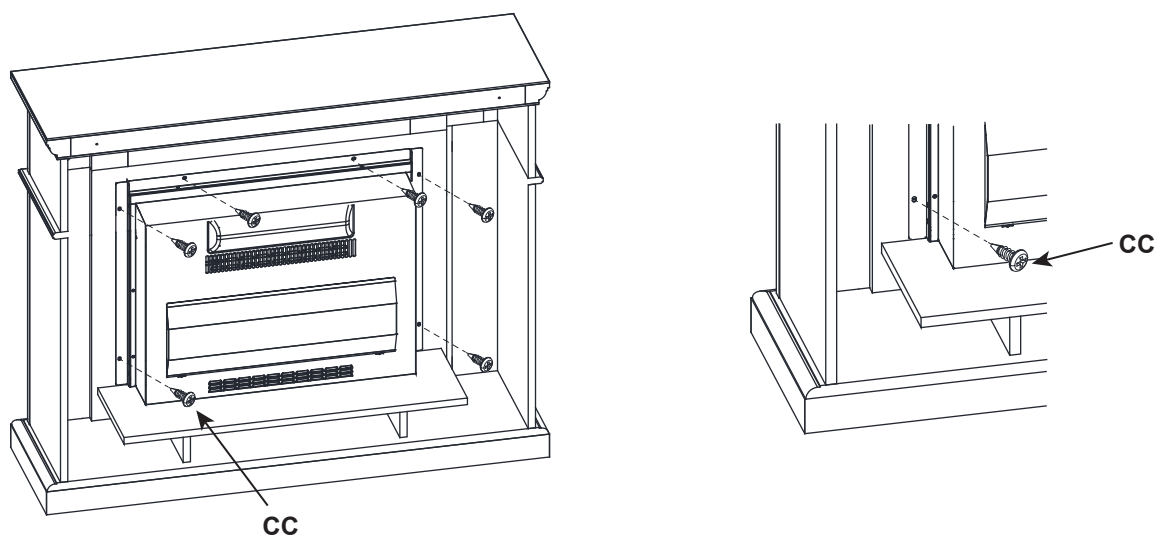


$\phi 4 \times 6\text{mm}$
DD x 6+2 extra

1. FIXATION DES GARNITURES MÉTALLIQUES



2. INSTALLATION DU FOYER ENCASTRABLE



INSTRUCTIONS D'UTILISATION

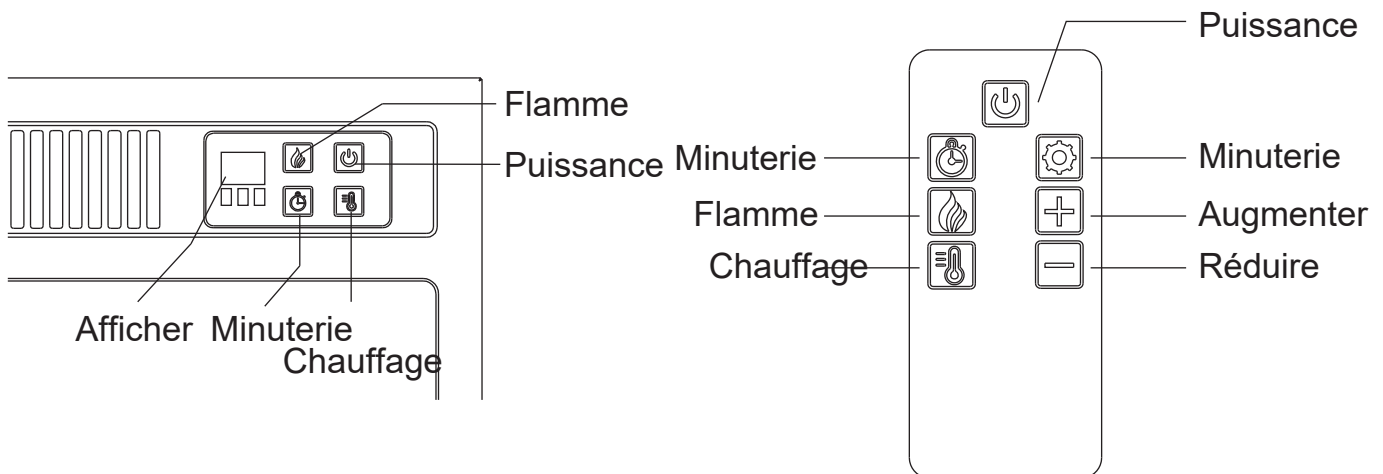
CARACTÉRISTIQUES DU FOYER ÉLECTRIQUE

Foyer encastrable Dimensions (L x P x H)	23 x 5 x 17 1/8 inch 58.4 x 12.8 x 43.5 cm
Poids net	7.2kg
Tension	220V~240VAC
Fréquence	50Hz
Watts	1800~2000 Watts

PANNEAU DE COMMANDE ET TÉLÉCOMMANDE

Le panneau de commande est situé dans le coin supérieur droit du foyer/appareil de chauffage.

Lorsqu'une fonction est modifiée à partir du panneau de commande ou de la télécommande, un indicateur correspondant s'affiche. L'indicateur indique la fonction modifiée et le niveau sélectionné. Lorsque la fonction est désactivée, l'indicateur correspondant s'estompe.

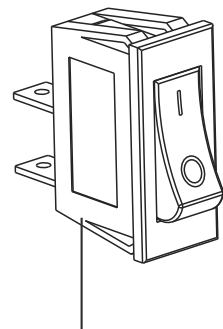


NOTE : La télécommande ne peut pas verrouiller/déverrouiller la flamme et la fonction de chauffage, et elle ne peut pas passer de Fahrenheit à Celsius.

INTERRUPTEUR À BASCULE

L'interrupteur à bascule est situé à l'arrière de l'appareil.

NOTE : Avant d'utiliser le foyer, veuillez à placer l'interrupteur à bascule sur la position « I ». Placez l'interrupteur à bascule sur « O » si vous souhaitez éteindre l'appareil.



Interrupteur à bascule

INSTRUCTIONS D'UTILISATION



Puissance

Ce bouton met non seulement le foyer encastrable en mode veille, mais vous pouvez également voir l'effet de flamme à travers l'écran. Ce bouton éteindra toutes les fonctions en même temps.



Minuterie

En appuyant de façon répétée sur le bouton de la minuterie, vous ferez défiler les minuteries suivantes. Réglages: 30minutes, 1heure, 2heures, 3heures, 4heures, 5heures, 6heures et arrêt. L'écran affiche : 30-1H-2H-3H-4H-5H-6H-nul.

Le foyer s'éteint automatiquement lorsque la minuterie atteint zéro minute.



Flamme

Ce bouton contrôle l'effet de la flamme. Il vous permet de régler la flamme en fonction de votre humeur.

Appuyez sur ce bouton pour augmenter/diminuer l'effet de flamme.

Changez la flamme en appuyant plusieurs fois sur le bouton flamme.

Le niveau de luminosité de la flamme est le suivant : élevé-moyen-faible-arrêt. Et l'écran affiche L3-L2-L1 en conséquence.



Chauffage

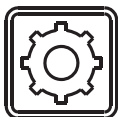
La température par défaut est de 22°C (72°F).

Maintenez le bouton du chauffage pendant 5 secondes, l'affichage clignote, puis changez la température en appuyant plusieurs fois sur le bouton du chauffage.

La plage de réglage du thermostat est de 62°-82°F ou 17°-27°C.

Pour passer de °F à °C, appuyez sur le bouton d'alimentation et maintenez-le pendant 5 secondes lorsque l'appareil est en marche.

Après le réglage, l'unité d'affichage clignote 5 fois.



Minuterie hebdomadaire

Utilisez le bouton MINUTERIE pour activer la minuterie hebdomadaire.



Augmenter

Le temps et la température augmentent pendant le réglage de la minuterie hebdomadaire.



Réduire

Le temps et la température diminuent pendant le réglage de la minuterie hebdomadaire.

INSTRUCTIONS D'UTILISATION

FONCTIONNEMENT DE L'OPÉRATION DE RÉGLAGE DE LA MINUTERIE HEBDOMADAIRE

1. Appuyez sur le bouton de la minuterie hebdomadaire pour lancer le réglage de la minuterie hebdomadaire, et l'écran affiche "0".

Note : un autre numéro signifie que la minuterie hebdomadaire a été réglée.

2. Appuyez une deuxième fois sur le bouton de la minuterie hebdomadaire jusqu'à ce que les chiffres arrière commencent à clignoter, l'écran affiche « 1 d », ce qui signifie que la minuterie hebdomadaire commence aujourd'hui.

1 d = Premier jour (aujourd'hui)

2 d = Deuxième jour (Demain)

3 d = Troisième jour

4 d = Quatrième jour

5 d = Cinquième jour

6 d = Sixième jour

7 d = Septième jour

3. Appuyez une troisième fois sur le bouton de la minuterie hebdomadaire pour régler les heures de début de travail. Utilisez les touches [+] et [-] pour ajuster. (0 à 23)

4. Appuyez sur le bouton de la minuterie hebdomadaire une quatrième fois pour définir les heures de travail de la mise hors tension. Utilisez les touches [+] et [-] pour ajuster. (0 à 23)

5. Appuyez une cinquième fois sur le bouton de la minuterie hebdomadaire pour régler la température. Utilisez les touches [+] et [-] pour ajuster. (17 à 27 ou on/off)

6. Appuyez une sixième fois sur le bouton de la minuterie hebdomadaire pour le jour suivant, l'écran affiche « 2 d », la méthode de fonctionnement est la même que ci-dessus.

7. Répétez l'opération ci-dessus pour chaque jour !

Si vous n'appuyez pas sur environ 5 secondes pendant le réglage de l'heure, vous quitterez automatiquement le réglage de la minuterie hebdomadaire de 7 jours.

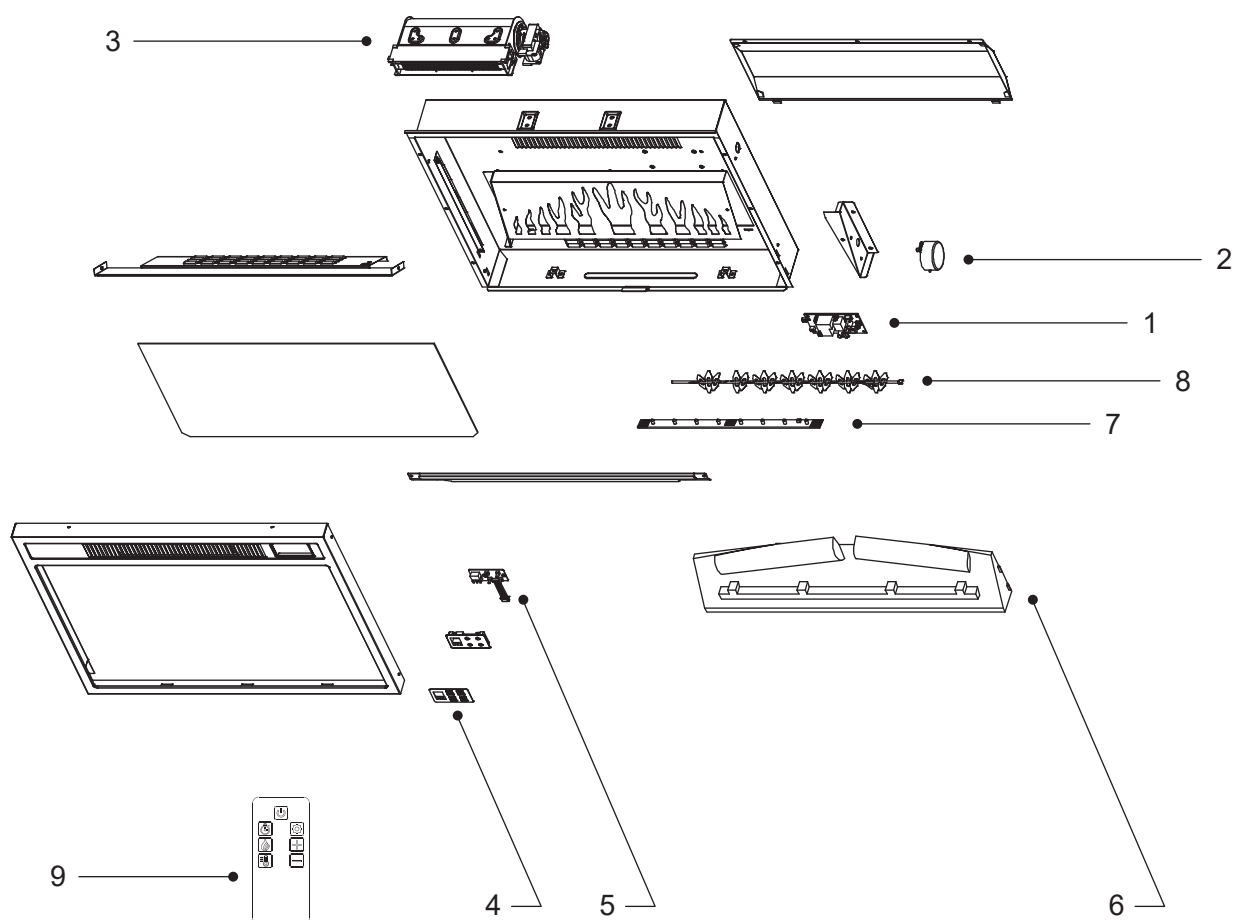
FONCTION D'OUVERTURE DE LA FENÊTRE (FONCTIONS SUPPLÉMENTAIRES CACHÉES)

En mode de chauffage par thermostat, lorsque la température ambiante chute de plus de 3 °C en 30 minutes, l'écran affiche « 00 » et clignote, ce qui signifie qu'une fenêtre est ouverte ou qu'il existe peut-être des éléments de refroidissement ouverts, en même temps que le contrôle de la température éteint le chauffage. Vous devrez éteindre l'appareil pour arrêter les clignotements.

LISTE DES PIÈCES DE RECHANGE ET VUE ÉCLATÉE

No.	Nom de la pièce
1	Circuit imprimé principal
2	Moteur d'entraînement du générateur de flamme
3	Ensemble chauffage/ventilateur
4	Boutons du panneau de commande
5	Circuit imprimé du panneau de commande
6	Embarqué avec bûches
7	Circuit imprimé à effet de flamme
8	Générateur de flammes / centrifugeuse
9	Télécommande

Certaines pièces et spécifications peuvent être modifiées sans préavis.



GUIDE DE DÉPANNAGE

PROBLÈME	CAUSES POSSIBLES ET SOLUTIONS PROPOSÉES
Le feu ne s'allume pas.	<ol style="list-style-type: none">1. Veillez à ce que l'interrupteur principal est allumé.2. Vérifiez que l'appareil est branché sur une prise standard de 220-240V.3. Remplacez le fusible de la prise.
Les bûches brillent mais l'effet de flamme ne fonctionne pas.	Vérifiez si le moteur qui tourne fonctionne.
Le chauffage ne fonctionne pas, mais l'alimentation et le système d'alarme sont en place. Les interrupteurs / boutons de chauffage sont en position « MARCHE »	Mettez tous les interrupteurs/boutons en position « ARRET » et débranchez l'appareil de la prise murale pendant 10 minutes. Après 10 minutes, rebranchez l'appareil dans la prise murale et faites-le fonctionner correctement.
Le foyer semble bruyant.	<ol style="list-style-type: none">1. Il y a un certain niveau de bruit lorsque l'effet de flamme est utilisé, causé par un moteur qui aide à générer l'effet. Ce bruit sera entendu s'il n'y a pas d'autre bruit de fond.2. Le moteur de l'appareil de chauffage est plus bruyant, en raison du débit d'air nécessaire lorsque le chauffage est sélectionné.
L'effet de flamme est visible, mais l'appareil ne souffle pas d'air chaud.	<ol style="list-style-type: none">1. Vérifiez que le réglage de la température est supérieur à la température ambiante.2. Allumez/éteignez le bouton du chauffage plusieurs fois pour vous assurer qu'il est en position « MARCHE ».
La télécommande ne fonctionne pas	<ol style="list-style-type: none">1. L'appui répété sur des boutons en succession rapide peut entraîner un dysfonctionnement de l'émetteur. Utilisez la télécommande à un rythme lent et mesuré. Appuyez sur les boutons de la télécommande avec un mouvement régulier et une pression douce.2. Vérifiez ou remplacez les piles.

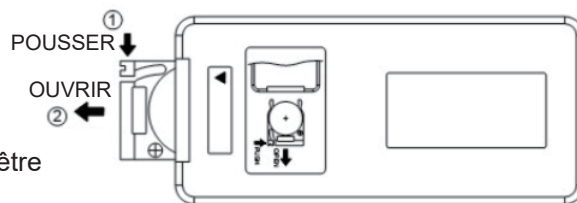
INSTRUCTIONS

REPLACEMENT DES PILES

Le chauffage est fourni avec une télécommande infrarouge multifonctions. Pour que la télécommande fonctionne, la feuille isolante en plastique doit être retirée.

Piles requises : CR2025

1. Localisez et retirez le support de la pile.
2. La pile a deux côtés, l'un avec une caractéristique de bouton, et l'autre est plat.
3. Insérez la pile avec le côté bouton vers le bas dans le support de pile, en vous assurant que la pile est bien en place.

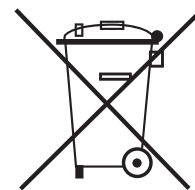


Les piles doivent être retirées si le produit est laissé inutilisé pendant une longue période. Les piles peuvent contenir des substances dangereuses qui peuvent mettre en danger l'environnement et la santé humaine.

Ce symbole figurant sur la pile et/ou l'emballage indique que les piles usagées ne doivent pas être jetées avec les déchets municipaux. Elles doivent plutôt être apportées au point de collecte approprié pour être recyclées.

En éliminant correctement les piles usagées, vous évitez les conséquences négatives potentielles pour l'environnement et la santé humaine. Le recyclage des matériaux usagés préserve également nos ressources naturelles.

Pour plus d'informations sur la collecte et le recyclage des piles usagées, veuillez contacter votre municipalité, votre service d'élimination des déchets ou le centre de recyclage des piles. votre municipalité, votre service d'élimination des déchets ou le magasin où vous avez acheté ce produit.



SYSTÈME DE COUPURE DE SÉCURITÉ

REMARQUE : Le panneau d'affichage LED reste opérationnel si le système de coupure est activé, seuls les éléments de chauffage du ventilateur sont arrêtés.

Ce produit est équipé d'un dispositif de protection contre la surchauffe (coupe-circuit thermique) qui ne se réinitialise pas et qui s'active si les entrées ou sorties d'air sont obstruées. Pour des raisons de sécurité, le chauffage ne se rallumera PAS automatiquement, la procédure suivante doit être effectuée avant de pouvoir utiliser le chauffage.

REMARQUE : L'effet visuel reste opérationnel même si le coupe-circuit s'active, seul le chauffage par ventilateur est arrêté.

Éteignez l'appareil depuis la prise murale ou à la prise de courant. Laissez le chauffage éteint pendant une période d'au moins 10 minutes, en vous assurant que toutes les obstructions ont été enlevées. Allumez l'appareil au mur. Assurez-vous que l'appareil est allumé au niveau des interrupteurs de commande. Si le chauffage ne fonctionne pas correctement, répétez la procédure ci-dessus. Si vous tentez d'allumer l'appareil avant que le coupe-circuit de sécurité ne se soit réinitialisé, l'appareil peut se couper pendant une période supplémentaire. Si la séquence a été suivie correctement et que l'appareil ne fonctionne toujours pas, vérifiez le fusible de la prise murale. Si ce n'est pas la cause, appelez un électricien ou un technicien de maintenance.

NETTOYAGE ET ENTRETIEN

DÉBRANCHEZ TOUJOURS L'APPAREIL DE LA PRISE D'ALIMENTATION SECTEUR AVANT D'ENTREPRENDRE TOUT NETTOYAGE OU ENTRETIEN !

Pour le nettoyage général, utilisez un chiffon doux et propre - n'utilisez jamais de produits abrasifs ou de nettoyeurs agressifs. L'écran de visualisation en verre doit être nettoyé avec soin à l'aide d'un chiffon doux.

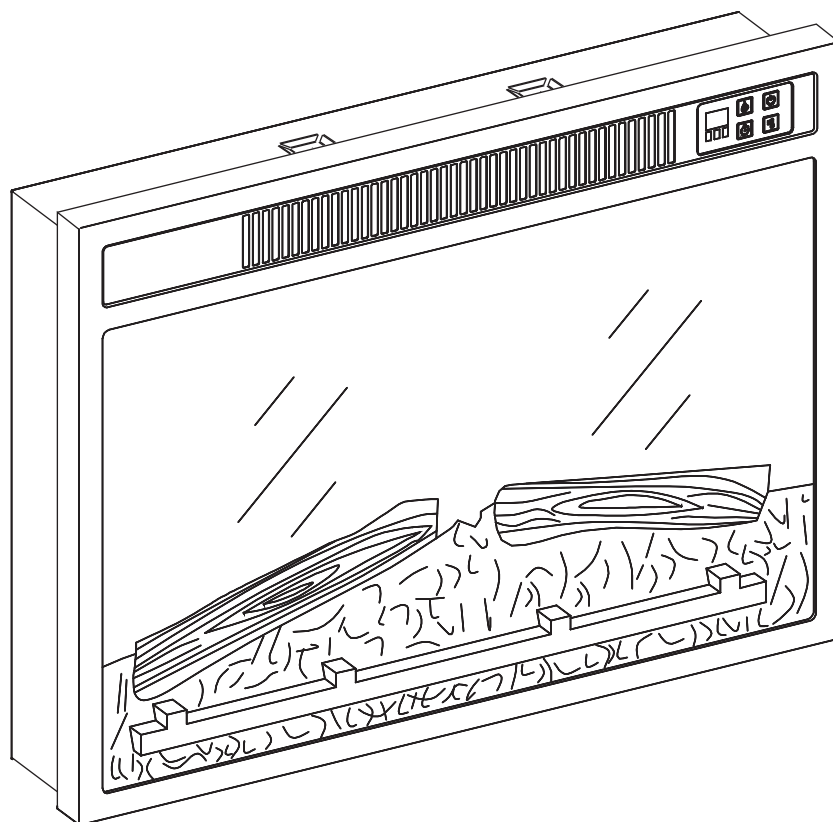
En cas de doute, consultez un électricien qualifié.

À l'exception des fusibles, n'utilisez que des pièces de rechange d'origine du fabricant, disponibles auprès de votre fournisseur.

Remplacement de la pile de la télécommande :

Lorsque la pile devient faible, la portée de la télécommande se réduit. Remplacez la pile par une nouvelle pile au lithium CR2025.

REMARQUE : gardez la pile au lithium hors de portée des enfants.



**INFORMATIONEN FÜR INSTALLATEURE/ERBRAUCHER ZUR SICHERHEIT
BITTE LESEN SIE DIESES HANDBUCH VOR DER INSTALLATION UND VERWENDUNG
DES GERÄTES**

AVERTISSEMENT

WENN DIE INFORMATIONEN IN DIESEM HANDBUCH NICHT GENAU BEFOLGT WERDEN, KANN ES ZU EINEM STROMSCHLAG ODER BRAND KOMMEN, WAS ZU SACHSCHÄDEN, VERLETZUNGEN ODER ZUM TOD FÜHREN KANN.

POUR VOTRE SÉCURITÉ

(Service muss von einer qualifizierten agentur durchgeführt werden)
BENZIN ODER ANDERE ENTZÜNDLICHE DÄMPFE ODER FLÜSSIGKEITEN IN DER NÄHE DIESES ODER EINES ANDEREN GERÄTS NICHT LAGERN ODER VERWENDEN

MONTAGE & BEDIENUNGSANLEITUNG

1. Lesen Sie alle Anweisungen, bevor Sie dieses Gerät verwenden. Die Nichtbeachtung dieser Anweisungen kann zu einem Stromschlag oder Brand führen und führt zum Erlöschen der Garantie.
2. **VORSICHT:** Äußerste Vorsicht ist geboten, wenn ein Heizgerät von oder in der Nähe von Kindern oder Behinderten verwendet wird und wenn das Gerät unbeaufsichtigt in Betrieb ist. Dieses Gerät kann von Kindern ab 8 Jahren und darüber, sowie von Personen mit verringerten physischen, sensorischen oder mentalen Fähigkeiten oder Mangel an Erfahrung und Wissen benutzt werden, wenn sie beaufsichtigt oder bezüglich des sicheren Gebrauchs des Geräts unterwiesen wurden und die daraus entstehenden Gefahren verstehen.
3. Kinder im Alter von 3 Jahren und weniger als 8 Jahren dürfen das Gerät nur dann ein- und ausschalten, wenn es in der vorgesehenen normalen Betriebsposition aufgestellt oder installiert wurde und sie beaufsichtigt oder in den sicheren Gebrauch des Geräts eingewiesen wurden und die damit verbundenen Gefahren verstehen. Kinder ab 3 Jahren und unter 8 Jahren dürfen das Gerät nicht einstecken, regulieren, reinigen oder Wartungsarbeiten am Gerät durchführen.
4. Kinder unter 3 Jahren sollten ferngehalten werden, wenn sie nicht ständig beaufsichtigt werden.
5. Einige Teile dieses Produkts können sehr heiß werden und Verbrennungen verursachen. Besondere Vorsicht ist geboten, wenn Kinder und gefährdete Personen anwesend sind.
6. **WARNUNG:** Um eine Überhitzung zu vermeiden, darf das Heizgerät nicht abgedeckt werden.
7. Das Heizgerät darf sich nicht unmittelbar unter einer Steckdose befinden.
8. **VORSICHT:** Um eine Gefährdung durch versehentliches Zurücksetzen der Temperatursicherung zu vermeiden, darf dieses Gerät nicht über eine externe Schaltvorrichtung, wie z. B. eine Zeitschaltuhr, versorgt oder an einen Stromkreis angeschlossen werden, der regelmäßig vom Versorgungsunternehmen ein- und ausgeschaltet wird.
9. Wenn das Stromkabel beschädigt ist, muss es durch den Hersteller, seinen Kundendienst oder eine ähnlich qualifizierte Person ersetzt werden, um eine Gefährdung zu vermeiden.
10. Vergewissern Sie sich vor dem Anschließen des Geräts, dass die vorhandene Netzspannung mit der auf dem Typenschild angegebenen übereinstimmt und dass die Steckdose ordnungsgemäß geerdet ist.
11. Versuchen Sie nicht, das Gerät zu reparieren, zu zerlegen oder zu modifizieren. Dieses Gerät enthält keine vom Benutzer zu wartenden Teile.
12. Ziehen Sie immer den Stecker aus der Steckdose, wenn Sie das Gerät nicht verwenden oder wenn Sie es bewegen oder reinigen. Ziehen Sie nicht am Kabel, um den Stecker aus der Steckdose zu ziehen.
13. Halten Sie das Heizgerät sauber. Achten Sie darauf, dass keine Gegenstände in die Belüftungs- oder Abluftöffnung gelangen, da dies zu einem Stromschlag, einem Brand oder einer Beschädigung des Heizgeräts führen kann. Verwenden Sie das Gerät nicht für einen anderen als den vorgesehenen Zweck. Es ist nur für den häuslichen Gebrauch in Innenräumen bestimmt.
14. Während der ersten Minuten der Erstverwendung oder nach einer gewissen Zeit der Lagerung kann ein leichter Geruch auftreten. Dies ist normal und verschwindet schnell wieder.
15. Wenn das Glas beschädigt ist, verwenden Sie das Heizgerät nicht, um eine Gefährdung zu vermeiden.
16. Vermeiden Sie die Verwendung eines Verlängerungskabels, da das Kabel überhitzen und eine Brandgefahr darstellen kann.
17. Dieses Heizgerät ist heiß, wenn es in Betrieb ist. Um Verbrennungen zu vermeiden, lassen Sie nackte Haut nicht mit heißen Oberflächen in Berührung kommen. Falls vorhanden, verwenden Sie Griffe, wenn Sie das Gerät bewegen.

18. Halten Sie brennbare Materialien wie Möbel, Kissen, Bettzeug, Papiere, Kleidung und Vorhänge mindestens einen Meter (3 Fuß) von der Vorderseite und den Seiten des Geräts entfernt.
19. Dieses Gerät ist nur für die Verwendung in Innenräumen vorgesehen und nicht für die Verwendung in Badezimmern, Waschräumen und ähnlichen Innenräumen. Stellen Sie dieses Gerät niemals dort auf, an dem es in eine Badewanne fallen oder anderweitig mit Wasser in Berührung kommen könnte.
20. Verlegen Sie das Kabel nicht unter Teppichböden. Decken Sie das Kabel nicht mit Teppichen, Läufern oder Ähnlichem ab. Stellen Sie sicher, dass das Kabel nicht in belebten Bereichen liegt und in einer Position liegt, die keine Stolpergefahr darstellt.
21. Um das Gerät vom Stromnetz zu trennen, schalten Sie die Regler in die Aus-Position und ziehen Sie dann den Stecker aus der Steckdose.
22. Dieses Gerät hat heiße und bogenförmige oder funkenbildende Teile im Inneren. Verwenden Sie es nicht in Bereichen, in denen Benzin, Farbe oder andere entflammable Flüssigkeiten verwendet oder gelagert werden.
23. Dieses Gerät sollte nicht als Trockengestell für Kleidung verwendet werden, und es sollten auch keine Weihnachtsstrümpfe oder Dekorationen daran oder in seiner Nähe aufgehängt werden.
24. Dieses elektrische Heizgerät ist eine sofortige Wärmequelle, um einen Raum zu erwärmen und ist großartig für die visuelle Raumatmosphäre, es muss nicht notwendigerweise als eine konstante oder permanente Heizquelle für das Haus verwendet werden.
25. Reinigen Sie das Gerät regelmäßig, um zu verhindern, dass sich Haare, Staub oder Flusen um das Gerät herum ansammeln, da dies zu einer Verstopfung des Auslasses führen kann.
26. Verwenden Sie keine Aerosole oder Dampfreiniger auf oder um das Heizgerät.
27. Dieses Produkt ist nur für gut isolierte Räume oder den gelegentlichen Gebrauch geeignet.
28. Sobald die Innentemperatur dieses Einsatzes 85 ± 2 °C erreicht, schaltet sich der Einsatz ab.
29. **WARNUNG:** Dieses Heizgerät ist nicht mit einer Vorrichtung zur Regelung der Raumtemperatur ausgestattet. Verwenden Sie dieses Heizgerät nicht in kleinen Räumen, wenn diese von Personen bewohnt werden, die nicht in der Lage sind, den Raum selbständig zu verlassen, es sei denn, es wird automatisch eine ständige Überwachung gewährleistet. Um die Temperaturbegrenzungsregelung zurückzusetzen, unterbrechen Sie die Stromversorgung mit dem Stecker oder dem Hauptschalter für 10 Minuten.
30. **⚠️ WARNUNG:** Um berhitzung zu vermeiden, decken Sie das Heizger nicht ab.
31. **BEWAHREN SIE DIESE ANLEITUNG AUF.**

MONTAGEANWEISUNGEN

Modellbezeichnung: Calgary 23G						
Artikel	Symbol	Wert	Einheit		Artikel	Einheit
Heizleistung					Art der Wärmezufuhr, nur für elektrische Speicherheizgeräte (wählen Sie eine aus)	
Nennwärmeleistung	P _{nom}	2,0	kW		manuelle Heizlastregelung, mit integriertem Thermostat	Keine
Minimale Heizleistung	P _{min}	K.A.	kW		manuelle Heizladeregulierung mit Raum- und/oder Außentemperaturreückführung	Keine
Maximale Dauerheizleistung	P _{max}	1,9	kW		elektronische Heizladeregulierung mit Raum- und/oder Außentemperaturreückführung	Keine
Hilfsenergieverbrauch					lüftergestützte Heizleistung	Keine
Bei Nennwärmeleistung	e _{lmax}	K.A.	kW		Art der Heizleistungs-/Raumtemperaturregelung (wählen Sie eine aus)	
Bei minimaler Heizleistung	e _{lmin}	K.A.	kW		einstufige Heizleistung und keine Raumtemperaturregelung	Keine
Im Standby-Betrieb	e _{lsb}	0,22	kW		zwei oder mehr manuelle Stufen, keine Raumtemperaturregelung	Keine
					mit mechanischer Thermostat-Raumtemperaturregelung	Keine
					mit elektronischer Raumtemperaturregelung	Keine
					mit elektronischer Raumtemperaturregelung plus Tageszeitschaltuhr	Keine
					mit elektronischer Raumtemperaturregelung plus Wochenzeitschaltuhr	Ja
					Weitere Steuerungsoptionen (Mehrfachauswahl möglich)	
					Raumtemperaturregelung mit Präsenzerkennung	Keine
					mit Raumtemperaturregelung, mit Fenster-offen-Erkennung	Ja
					mit Option Abstandsregelung	Keine
					mit adaptiver Startsteuerung	Keine
					mit Betriebszeitbegrenzung	Keine
					mit Schwarzlichtsensor	Keine

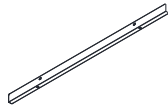
MONTAGEANWEISUNGEN

ERFORDERLICHE

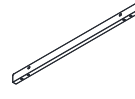


Kreuzschlitzschraube
ndreher (nicht im
Lieferumfang enthalten)

Matériel



AA x 1



BB x 2

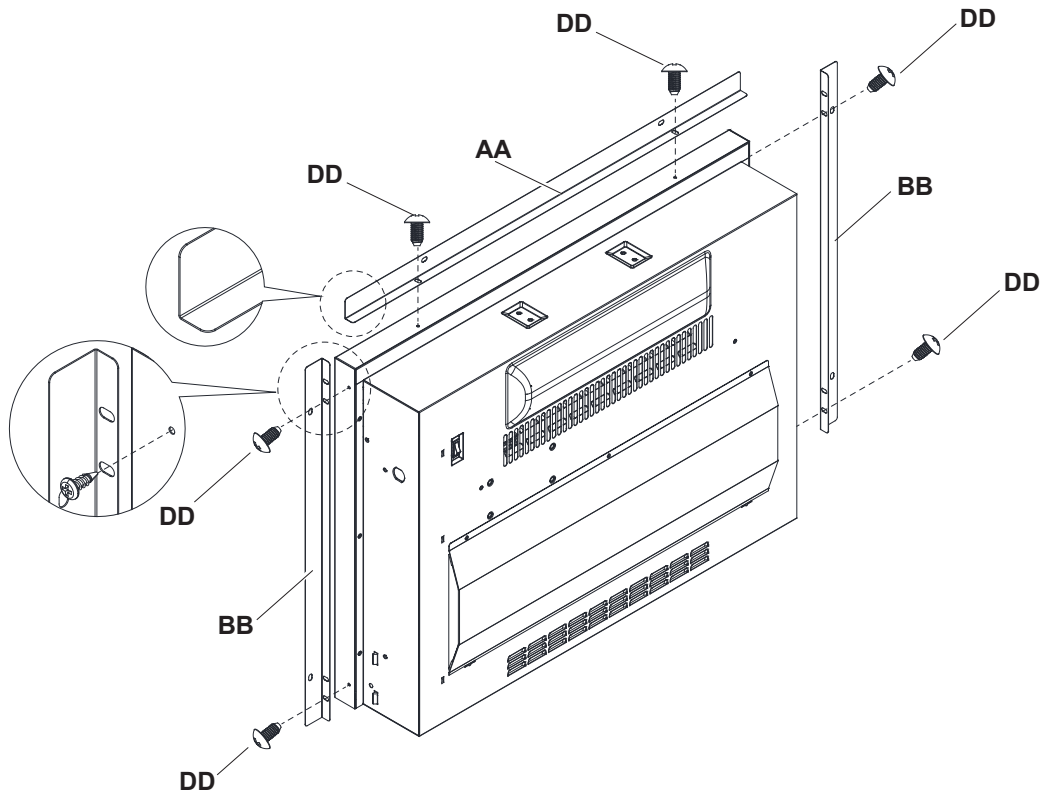


Φ4 X 10mm
CC x 6+2 extra

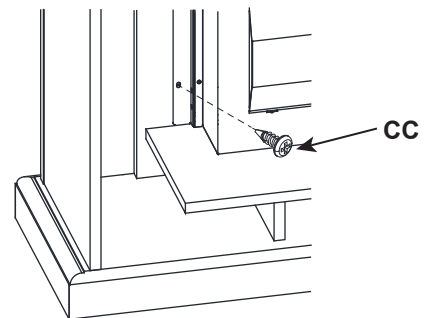
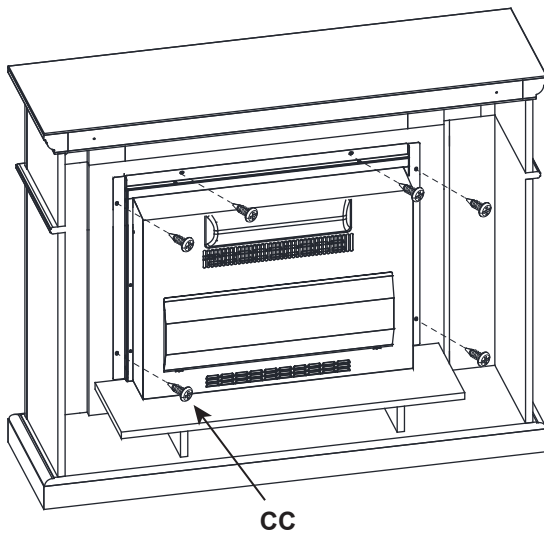


Φ4 X 6mm
DD x 6+2 extra

1. ANBRINGEN DER METALLVERKLEIDUNGEN



2. EINBAU DES KAMINEINSATZES



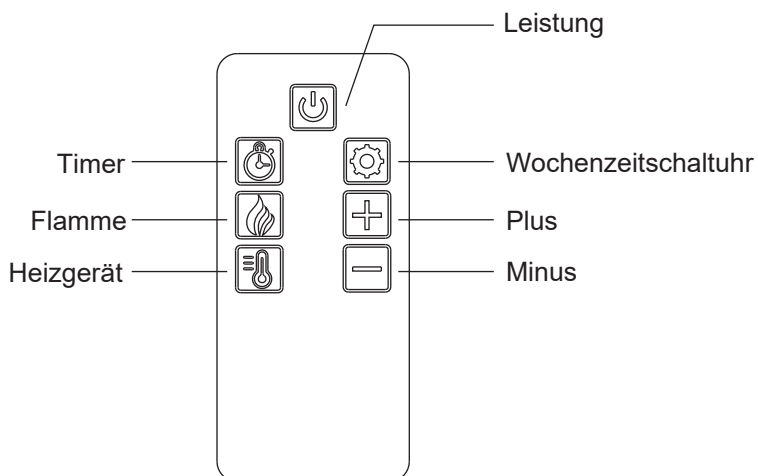
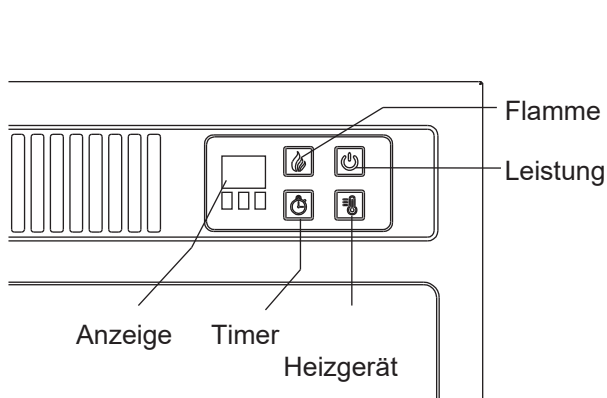
SPEZIFIKATIONEN DES ELEKTRISCHEN KAMINS

Kamineinsatz Abmessungen (B x T x H)	23 x 5 x 17 1/8 inch 58.4 x 12.8 x 43.5 cm
Netto Gewicht	7.2kg
Spannung	220V~240VAC
Frequenz	50Hz
Wattzahl	1800~2000 Watt

BEDIENFELD UND FERNBEDIENUNG

Das Bedienfeld befindet sich in der oberen rechten Ecke des Kamin-/Heizgeräts.

Wenn eine Funktion über das Bedienfeld oder die Fernbedienung geändert wird, wird ein entsprechende Anzeiger eingeblendet. Der Anzeiger zeigt die geänderte Funktion und die gewählte Stufe an. Wenn die Funktion ausgeschaltet wird, wird der entsprechende Anzeiger ausgeblendet.

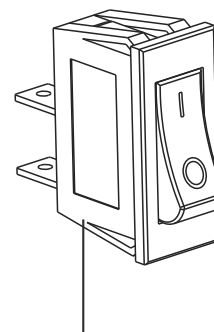


HINWEIS: Die Fernbedienung kann die Flammen- und Heizfunktion nicht sperren/entsperren und sie kann nicht zwischen Fahrenheit und Celsius umschalten.









KIPPSCHALTER

Der Kippschalter befindet sich auf der Rückseite des Geräts.

HINWEIS: Stellen Sie den Kippschalter auf „I“, bevor Sie das Heizgerät benutzen. Stellen Sie den Kippschalter auf „O“, wenn Sie das Gerät ausschalten möchten.



Kippschalter

	<p>Leistung Mit dieser Taste wird der Kamineinsatz nicht nur in einen Standby-Modus versetzt, sondern Sie können auch den Flammeneffekt durch den Bildschirm sehen. Damit schalten Sie alle Funktionen auf einmal aus.</p>
	<p>Timer Durch wiederholtes Drücken der Taste für die Zeitschaltuhr werden die folgenden Zeitschaltuhren durchlaufen. Einstellungen: 30 Minuten, 1 Stunde, 2 Stunden, 3 Stunden, 4 Stunden, 5 Stunden, 6 Stunden und Aus. Das Display zeigt an: 30-1H-2H-3H-4H-5H-6H-None. Das Heizgerät schaltet sich automatisch aus, wenn der Timer die Minute Null erreicht.</p>
	<p>Flamme Mit dieser Taste wird der Flammeneffekt gesteuert. Damit können Sie die Flamme an Ihre Stimmung anpassen. Drücken Sie diese Taste, um den Flammeneffekt zu erhöhen/verringern. Ändern Sie die Flamme durch wiederholtes Drücken der Flammen-Taste. Die Helligkeitsstufe der Flamme ist wie folgt: hoch-mittel-niedrig-aus. Auf dem Bildschirm wird entsprechend L3 -L2- L1 angezeigt.</p>
	<p>Heizgerät  Die Standardeinstellung der Temperatur ist 22 °C (72 °F). Halten Sie die Heizungstaste 5 Sekunden lang gedrückt, der Bildschirm blinkt, dann ändern Sie die Temperatur durch wiederholtes Drücken der Heizgerätstaste. Der Einstellbereich des Thermostats beträgt 62 °-82 °F oder 17 °-27 °C. Um zwischen °F und °C zu wechseln, halten Sie bei eingeschalteter Heizung die Ein-/Aus-Taste 5 Sekunden lang gedrückt. Nach der Einstellung blinkt die Bildschirmeinheit 5 Mal.</p>
	<p>Wochenzeitschaltuhr Verwenden Sie die Taste TIMER, um den Wochentimer einzuschalten.</p>
	<p>Plus Zeit und Temperatur erhöhen sich während der Einstellung des Wochentimers.</p>
	<p>Minus Zeit und Temperatur verringern sich während der Wochentimer-Einstellung.</p>

BETRIEB DER WOCHENTIMER-EINSTELLUNG

1. Drücken Sie die Taste Wochentimer, um die Einstellung des Wochentimers zu starten, und auf dem Bildschirm wird „0“ angezeigt.

Hinweis: Eine andere Zahl bedeutet, dass die Wochenzeitschaltuhr eingestellt wurde.

2. Drücken Sie die Wochentimer-Taste ein zweites Mal, bis die hinteren Ziffern zu blinken beginnen; auf dem Bildschirm wird „1 d“ angezeigt, was bedeutet, dass der Wochentimer ab heute läuft.

1 d = Erster Tag (Heute)

2 d = Zweiter Tag (Morgen)

3 d = Dritter Tag

4 d = Vierter Tag

5 d = Fünfter Tag

6 d = Sechster Tag

7 d = Siebter Tag

3. Drücken Sie die Wochentimer-Taste ein drittes Mal, um die Startarbeitszeit einzustellen. Verwenden Sie die [+] und [-] zum Einstellen.(0~23)

4. Drücken Sie die Wochentimer-Taste ein viertes Mal, um die Ausschaltzeit einzustellen. Verwenden Sie die [+] und [-] zum Einstellen.(0~23)

5. Drücken Sie die Wochentimer-Taste ein fünftes Mal, um die Temperatur einzustellen. Verwenden Sie die Tasten [+] und [-] zum Einstellen.(17~27 oder ein/aus)

6. Drücken Sie die Taste für den Wochentimer ein sechstes Mal für den nächsten Tag, auf dem Display wird „2d“ angezeigt.

7. Wiederholen Sie den obigen Betrieb für jeden Tag!

Wird während der Zeiteinstellung für ca. 5 Sekunden keine Taste gedrückt, wird die 7-Tage-Wochentimer-Einstellung automatisch verlassen.

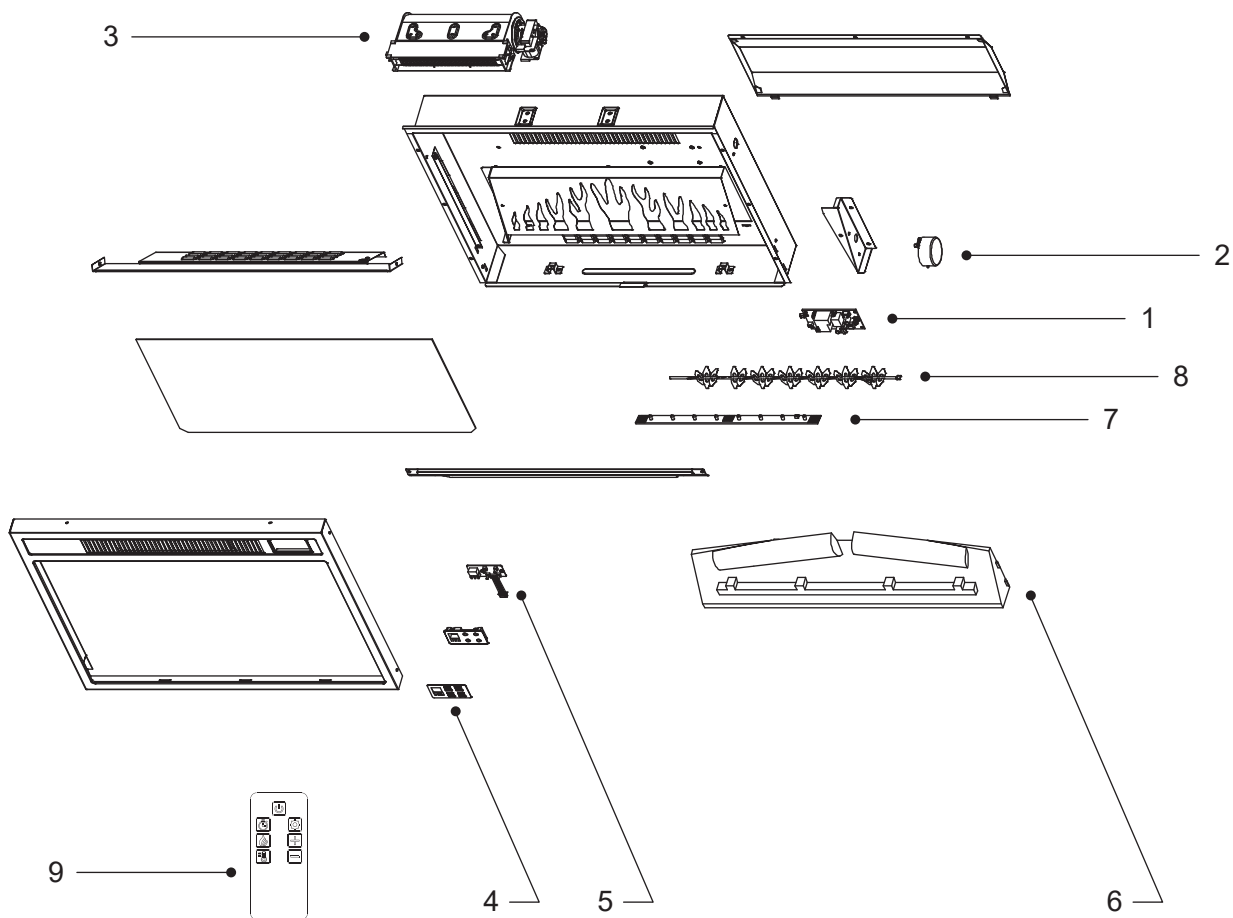
FUNKTION FENSTER ÖFFNEN (VERSTECKTE ZUSATZFUNKTIONEN)

Wenn im Heizmodus der Thermostatregelung die Umgebungstemperatur innerhalb von 30 Minuten um mehr als 3 °C abfällt, zeigt das Display „00“ an und blinkt, was bedeutet, dass ein Fenster geöffnet ist oder dass möglicherweise einige Kühlgegenstände geöffnet sind, gleichzeitig schaltet der Temperaturregler die Heizung aus. Um das Blinken zu beenden, müssen Sie das Gerät ausschalten.

ERSATZTEILLISTE UND EXPLOSIONSZEICHNUNG

Teil	Teile-bezeichnung
1	Hauptplatine
2	Antriebsmotor des Flammengenerators
3	Heiz-/Gebälsebaugruppe
4	Tasten am Bedienfeld
5	Schalttafel-Platine
6	Eingebettet mit Log
7	Flammeneffekt-Platine
8	Flammengenerator/Spinner
9	Fernsteuerung

Einige Teile und Spezifikationen können sich ohne vorherige Ankündigung ändern.



ANLEITUNG ZUR FEHLERSUCHE

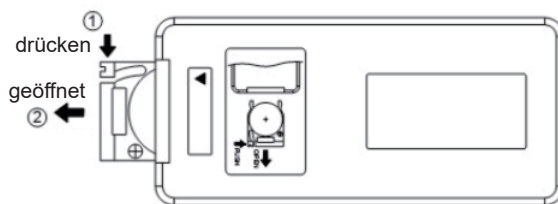
PROBLEM	MÖGLICHE URSACHE UND LÖSUNGSVORSCHLAG
Das Feuer schaltet sich nicht ein.	<ol style="list-style-type: none"> 1. Stellen Sie sicher, dass der Ein-/Aus-Schalter eingeschaltet ist. 2. Prüfen Sie, ob das Gerät an eine Standard-Steckdose mit 220-240 V angeschlossen ist. 3. Tauschen Sie die Sicherung im Stecker aus.
Holzscheite glühen, aber der Flammeneffekt funktioniert nicht.	Prüfen Sie, ob der Spinnmotor funktioniert.
Die Heizung funktioniert nicht, aber die für Ein-/Aus-Taste und Heizungsschalter/Tasten sind in der Position „EIN“	Schalten Sie alle Schalter/Tasten in die Position „AUS“ und ziehen Sie den Netzstecker für 10 Minuten aus der Steckdose. Stecken Sie das Gerät nach 10 Minuten wieder in die Steckdose, und es funktioniert wie gewohnt.
Das Feuer scheint laut zu sein.	<ol style="list-style-type: none"> 1. Es gibt einen Geräuschpegel, wenn der Flammeneffekt in Betrieb ist, der durch einen Motor verursacht wird, der bei der Erzeugung des Effekts hilft. Dieses Geräusch ist zu hören, wenn keine anderen Hintergrundgeräusche vorhanden sind. 2. Es gibt einen höheren Geräuschpegel in Verbindung mit dem Heizungsmotor; dies ist auf den Luftstrom zurückzuführen, der erforderlich ist, wenn Wärme ausgewählt wurde.
Es gibt einen sichtbaren Flammeneffekt, aber die Heizung bläst keine warme Luft.	<ol style="list-style-type: none"> 1. Prüfen Sie, ob die Temperatureinstellung die Raumtemperatur übersteigt. 2. Schalten Sie die Taste Heater mehrmals ein/aus, um sicherzustellen, dass sie sich in der Position „EIN“ befindet
Die Fernbedienung funktioniert nicht	<ol style="list-style-type: none"> 1. Durch wiederholtes Drücken von Tasten in schneller Folge kann es zu einer Fehlfunktion des Senders kommen. Bedienen Sie den Handsender mit einem langsamen, gemessenen Tempo. Drücken Sie die Tasten der Fernbedienung mit einer gleichmäßigen Bewegung und leichtem Druck. 2. Prüfen oder ersetzen Sie die Batterien.

AUSWECHSELN DES AKKUS

Die Flammen werden mit einer IR-Multifunktionsfernbedienung gesteuert. Bevor die Fernbedienung in Betrieb genommen werden kann, muss die Kunststoffisierfolie entfernt werden.

Batterieanforderungen: CR2025

1. Suchen Sie die Batteriehalterung und entfernen Sie sie.
2. Die Batterie hat zwei Seiten, eine mit einem Knopf und die andere ist flach.
3. Legen Sie die Batterie mit dem Knopf nach unten in die Batteriehalterung ein und achten Sie darauf, dass die Batterie fest sitzt.



Die Batterien sollten entfernt werden, wenn das Produkt über einen längeren Zeitraum nicht verwendet wird.

Die Batterien können gefährliche Substanzen enthalten, die die Umwelt und die menschliche Gesundheit gefährden könnten.

Dieses Symbol auf der Batterie und/oder der Verpackung weist darauf hin, dass gebrauchte Batterien nicht mit dem Hausmüll entsorgt werden dürfen. Stattdessen sollten sie zur entsprechenden Sammelstelle für das Recycling gebracht werden.

Indem Sie verbrauchte Batterien korrekt entsorgen, verhindern Sie mögliche negative Folgen für die Umwelt und die menschliche Gesundheit. Durch das Recycling gebrauchter Materialien werden außerdem unsere natürlichen Ressourcen geschont.

Weitere Informationen zum Sammeln und Recyceln von Altbatterien erhalten Sie bei Ihrer Gemeinde, Ihrem Entsorgungsunternehmen oder dem Geschäft, in dem Sie dieses Produkt gekauft haben.



SICHERHEITSABSCHALTSYSTEM

HINWEIS: Das LED-Anzeigefeld bleibt in Betrieb, wenn die Sicherheitsabschaltung aktiviert ist, nur die Heizlüfter-Elemente können nicht arbeiten.

Dieses Produkt verfügt über eine nicht selbstrückstellende Überhitzungsschutzvorrichtung (thermische Abschaltung), die aktiviert wird, wenn die Luftein- oder -auslässe blockiert sind. Aus Sicherheitsgründen schalten sich die Flammen NICHT automatisch wieder ein, das folgende Verfahren muss durchgeführt werden, bevor die Flammen betrieben werden können. **HINWEIS:** Der optische Effekt bleibt bei aktivierter Abschaltung in Betrieb, nur der Heizlüfter kann nicht arbeiten.

Schalten Sie das Gerät an der Wandsteckdose oder an der Steckdose auf AUS. Lassen Sie die Flammen mindestens 10 Minuten lang auf AUS geschaltet und stellen Sie sicher, dass alle Hindernisse beseitigt sind. Schalten Sie das Gerät an der Wand EIN. Vergewissern Sie sich, dass das Gerät an den Steuerschaltern auf EIN geschaltet ist. Wenn die Flammen nicht richtig funktionieren, wiederholen Sie das oben beschriebene Verfahren. Wenn versucht wird, das Gerät einzuschalten, bevor die Sicherheitsabschaltung zurückgesetzt wurde, kann sich das Gerät für eine weitere Zeitspanne abschalten. Wenn die Reihenfolge korrekt befolgt wurde und das Gerät immer noch nicht funktioniert, überprüfen Sie die Sicherung in der Wandsteckdose. Wenn dies nicht die Ursache ist, rufen Sie einen Elektriker oder Wartungstechniker.

REINIGUNG UND WARTUNG

ZIEHEN SIE IMMER DEN NETZSTECKER AUS DER NETZSTECKDOSE, BEVOR SIE REINIGUNGS- ODER WARTUNGSARBEITEN DURCHFÜHREN!

Verwenden Sie zur allgemeinen Reinigung ein weiches, sauberes Staubtuch - verwenden Sie niemals scharfe Scheuermittel oder Reiniger. Die Glassichtscheibe sollte vorsichtig mit einem weichen Tuch gereinigt werden.

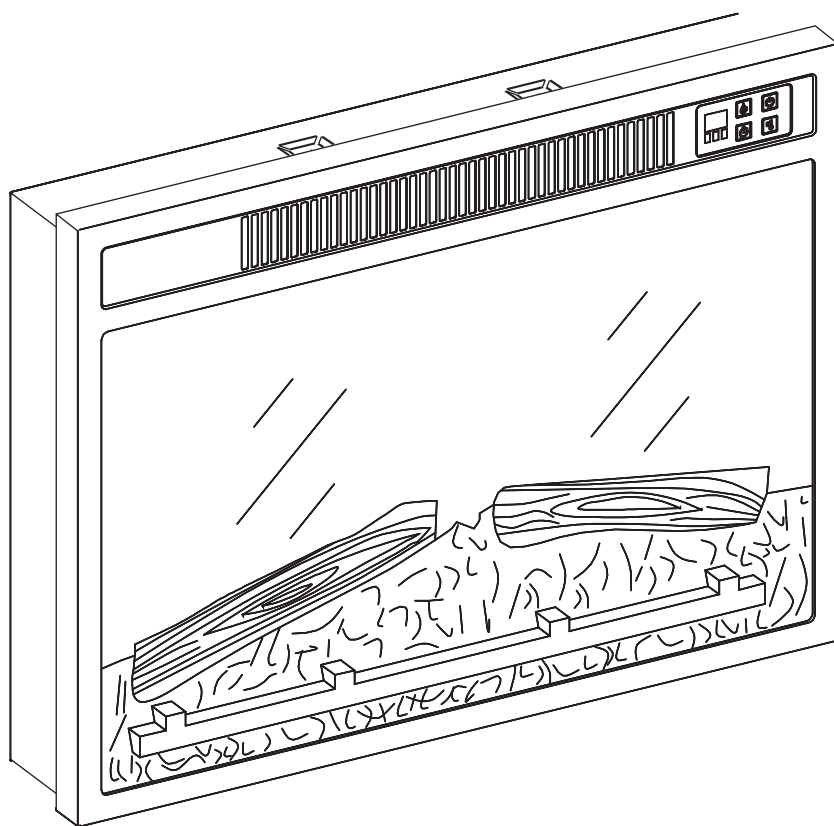
Wenden Sie sich im Zweifelsfall an eine Elektrofachkraft.

Verwenden Sie, mit Ausnahme von Sicherungen, nur Original-Ersatzteile des Herstellers, die bei Ihrem Händler erhältlich sind.

Auswechseln der Fernbedienungsbatterie:

Wenn die Batterie schwach wird, verkürzt sich die Reichweite der Fernbedienung. Ersetzen Sie die Batterie durch eine neue CR2025-Lithiumbatterie.

HINWEIS: Bewahren Sie die Lithiumbatterie außerhalb der Reichweite von Kindern auf.



CE

**INFORMAZIONI SULLA SICUREZZA DELL'INSTALLATORE/ DEL CONSUMATORE
LEGGERE TUTTE LE ISTRUZIONI PRIMA DI UTILIZZARE QUESTO APPARECCHIO**

AVVERTIMENTO

SE LE INFORMAZIONI DI QUESTO MANUALE NON SONO SEGUITE ESATTAMENTE, SCOSSE ELETTRICHE O INCENDI POSSONO PROVOCARE DANNI ALLA PROPRIETÀ, LESIONI PERSONALI O PERDITA DI VITA.

PER LA TUA SICUREZZA

(Il servizio deve essere eseguito da personale qualificato)
NON CONSERVARE O UTILIZZARE LIQUIDI INFIAMMABILI NELLE VICINANZE DI QUESTO O DI QUALSIASI ALTRO APPARECCHIO.

MANUALE DI MONTAGGIO E ISTRUZIONI

1. Leggere tutte le istruzioni prima di utilizzare questo apparecchio. La mancata osservanza di queste istruzioni può provocare scosse elettriche o rischi di incendio e annullare la garanzia.
2. **ATTENZIONE:** è necessaria estrema cautela quando una stufa viene utilizzato da o vicino a bambini o invalidi e ogni volta che la stufa viene lasciata incustodita. Questo apparecchio può essere utilizzato da bambini di età pari o superiore a 12 anni.
3. I bambini di età pari o superiori a 12 anni accendono / spengono l'apparecchio solo a condizione che sia stato collocato o installato nella sua normale posizione operativa prevista e che abbiano ricevuto supervisione e istruzioni relative all'uso del applicare in modo sicuro e comprendere i pericoli coinvolti. I bambini di età pari o inferiore a 3 anni non devono collegare, regolare o pulire l'apparecchio né eseguire la manutenzione da parte dell'utente.
4. I bambini di età inferiore a 3 anni devono essere tenuti a distanza se non sottoposti a supervisione continua.
5. Alcune parti di questo prodotto possono diventare molto calde e causare ustioni. Particolare attenzione deve essere data in presenza di bambini e persone vulnerabili.
6. **AVVERTENZA:** per evitare il surriscaldamento, non coprire la stufa.
7. Il riscaldatore non deve essere posizionato immediatamente sotto una presa di corrente.
8. **ATTENZIONE:** al fine di evitare pericoli dovuti al ripristino involontario del disgiuntore termico, questo apparecchio non deve essere alimentato tramite un dispositivo di commutazione esterno, come un timer, o collegato a un circuito regolarmente acceso e fuori dall'utilità.
9. Se il cavo di alimentazione è danneggiato, deve essere sostituito dal produttore, dal suo agente di servizio o da una persona qualificata per evitare pericoli.
10. Prima di collegare l'apparecchio, assicurarsi che la tensione di rete disponibile corrisponda a quella specificata sulla targhetta dei dati tecnici e che la presa sia adeguatamente messa a terra.
11. Non tentare di riparare, smontare o modificare l'apparecchio. Questa unità non contiene parti riparabili dall'utente.
12. Scollegare sempre la stufa dalla rete elettrica quando non viene utilizzato o quando lo si sposta o si pulisce. Non tirare il cavo per scollegare la stufa.
13. Mantenere pulito la stufa. Non lasciare che alcun oggetto penetri nell'apertura di ventilazione o di scarico poiché ciò potrebbe causare scosse elettriche, incendi o danni al prodotto. Non utilizzare la stufa per scopi diversi da quelli previsti. È progettato solo per uso interno domestico.
14. Potrebbe esserci una traccia di odore durante i primi minuti di utilizzo iniziale o dopo un periodo di conservazione. Questo è normale e scomparirà rapidamente.
15. Se il vetro è danneggiato, non utilizzare la stufa per evitare pericoli.
16. Evitare l'uso di una prolunga, in quanto potrebbe surriscaldarsi e causare un incendio.
17. Questo caminetto è caldo quando è in uso. Per evitare scottature, evitare che la pelle nuda tocchi la superficie calda. Se le maniglie quando si sposta questo apparecchio.
18. Tenere materiali combustibili, come mobili, cuscini, biancheria da letto, carta, vestiti e tende ad almeno 1 metro di distanza.
19. Questo apparecchio è progettato esclusivamente per uso interno e non è destinato all'uso in bagni, aree lavanderia e ambienti interni simili. Non collocare mai questo apparecchio in luoghi in cui potrebbe cadere in una vasca da bagno o essere esposto all'acqua.
20. Non far passare il cavo sotto la moquette. Quindi non coprire il cavo con tappeti o simili. Assicurarsi che il cavo sia tenuto lontano dalle aree di traffico e in una posizione che non presenti rischi di inciampo.

Generale

ISTRUZIONI IMPORTANTI

21. Per scollegare questo apparecchio, girare i comandi in posizione off, quindi rimuovere la spina dalla presa.
22. Questo elettrodomestico contiene parti calde. Non utilizzarlo in aree in cui vengono conservati benzina, vernice o liquidi infiammabili.
23. Questo apparecchio non deve essere utilizzato come stendino per indumenti, tantomeno appendere calze o decorazioni natalizie.
24. Questa stufa è una fonte di calore istantanea per riscaldare una stanza non è necessario che sia utilizzato come fonte di riscaldamento costante o permanente per la casa.
25. Pulire la stufa regolarmente per prevenire l'accumulo di polvere poiché ciò potrebbe bloccare l'ostruzione.
26. Non utilizzare aerosol o pulitori a vapore per pulire la stufa.
27. Questo prodotto è adatto solo per spazi ben isolati o per un uso occasionale.
28. Quando la temperatura interna di questo inserto raggiunge gli 85 ± 2 ° C, questo inserto si spegne automaticamente.
29. **ATTENZIONE:** Questo riscaldatore non è dotato di un dispositivo per il controllo della temperatura ambiente. Non utilizzare questo riscaldatore in ambienti piccoli quando sono occupati da persone non in grado di uscire da soli dal locale, a meno che fornito automaticamente. Per ripristinare il controllo di limitazione della temperatura, scollegare l'alimentazione mediante la spina o l'interruttore principale per 10 minuti.
30. **⚠ ATTENZIONE: Per evitare il surriscaldamento, non coprire il riscaldatore.**
31. **Salva queste istruzioni.**

ISTRUZIONI DI MONTAGGIO

Identificatore modello: articolo Calgary 23G					
	Simbolo	Value	Unit	Articolo	Unità
Produzione di calore				Tipo di ingresso di calore, solo per gli apparecchi per il riscaldamento d'ambiente locale ad accumulo elettrico (selezionarne uno)	
Potenza termica nominale	P _{nom}	2.0	kW	Controllo manuale della carica termica kW, con integrato termostato	No
Potenza termica minima	P _{nom}	N / A	kW	Controllo manuale della carica termica kW con ambiente e / o feedback sulla temperatura esterna	No
Potenza termica continua massima	P _{nom}	1.9	kW	Controllo elettronico della carica termica con feedback della temperatura ambiente e / o esterna	No
Consumo elettrico ausiliario				potenza termica assistita da ventilatore	No
Alla potenza termica nominale	EL _{max}	N / A	kW	Tipo di potenza termica / controllo della temperatura ambiente (selezionarne uno)	
Alla potenza termica minima	EL _{min}	N / A	kW	potenza termica a singolo stadio e nessun controllo della temperatura ambiente	No
In modalità standby	EL _{SB}	0.22	kW	due o più fasi manuali, nessun controllo della temperatura ambiente	No
				con termostato meccanico a controllo della temperatura ambiente	No
				con controllo elettronico della temperatura ambiente	No
				con controllo elettronico della temperatura ambiente e timer giornaliero	No
				con controllo elettronico della temperatura ambiente e timer settimanale	si
Altre opzioni di controllo (possibili selezioni multiple)					
				controllo della temperatura ambiente con rilevamento di presenza	No
				controllo della temperatura ambiente, con rilevazione a finestra aperta	si
				con opzione di controllo della distanza	No
				con controllo di avvio adattivo	No
				con limitazione dell'orario di lavoro	No
				con sensore a bulbo nero	No

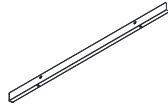
ISTRUZIONI DI MONTAGGIO

STRUMENTI NECESSARI



Cacciavite a stella
(non incluso)

HARDWARE



AA x 1



BB x 2

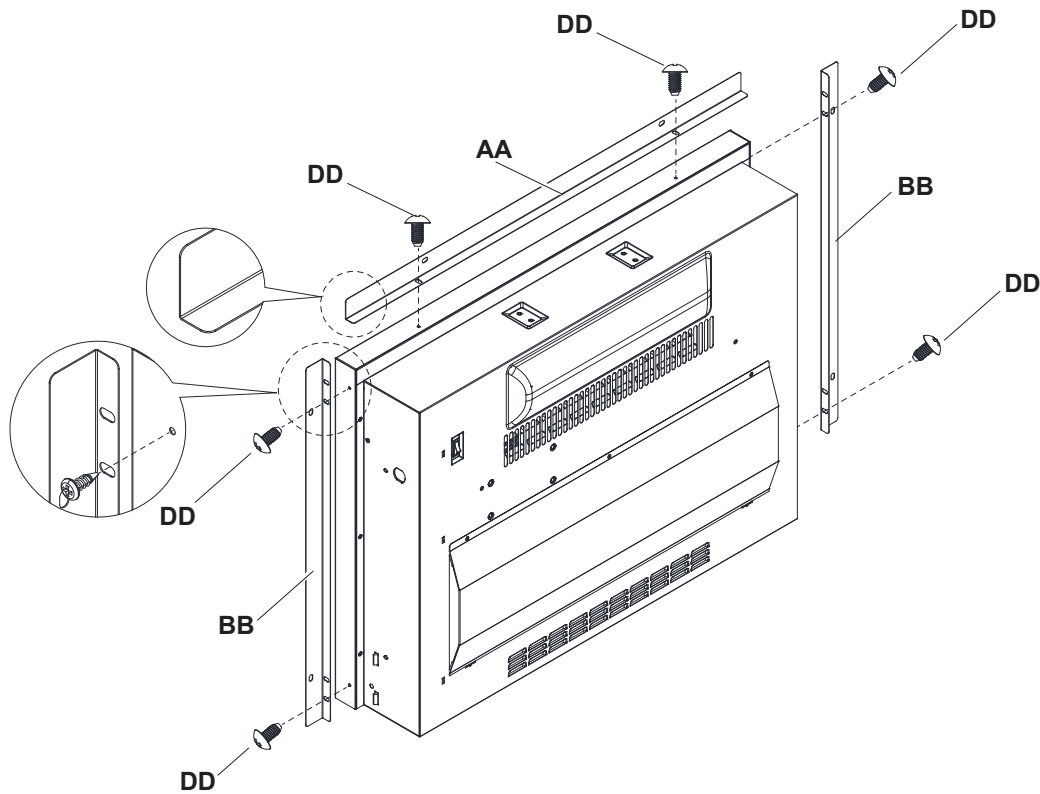


Φ4 X 10mm
CC x 6+2 extra

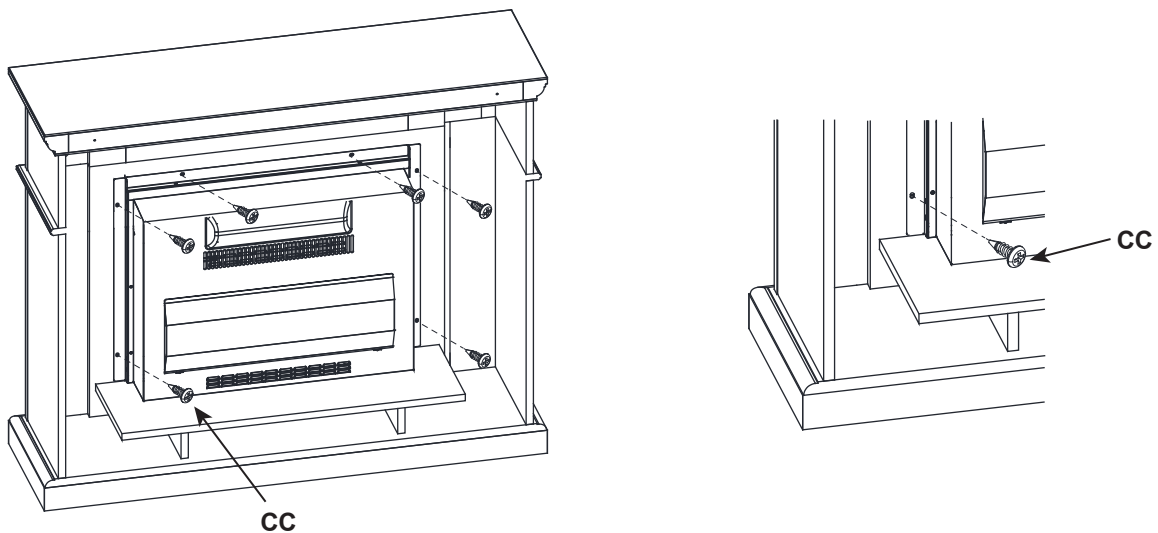


Φ4 X 6mm
DD x 6+2 extra

1. ATTACCARE I BORDI DEL METALLO



2. INSTALLAZIONE DELL'INSERTO DEL CAMINO



ISTRUZIONI

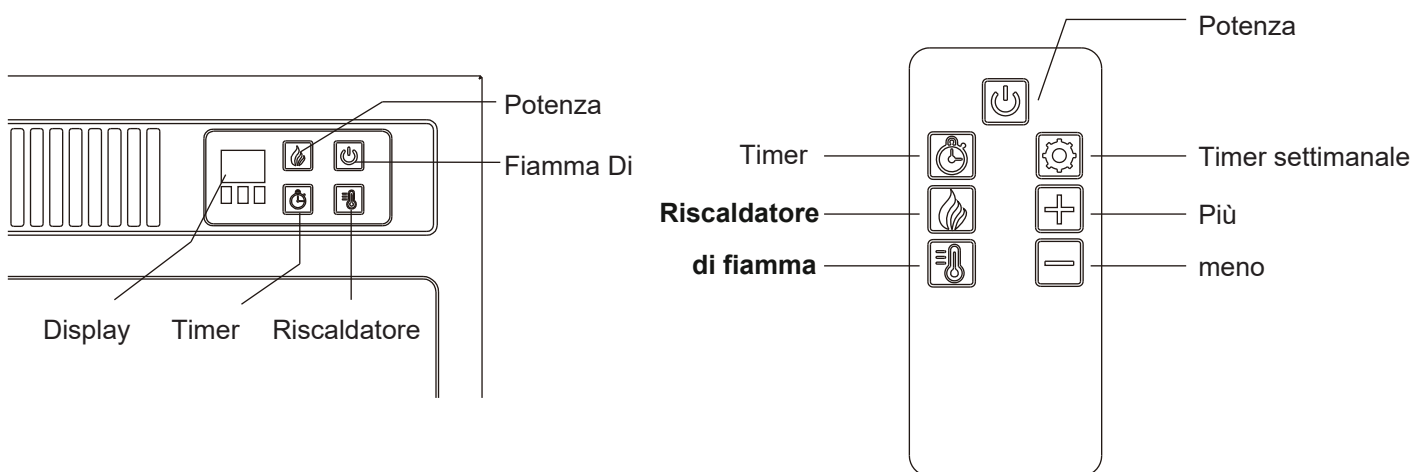
SPECIFICHE DEL CAMINO ELETTRICO

Fireplace Insert Dimensions(W x D x H)	23 x 5 x 17 1/8 inch 58.4 x 12.8 x 43.5 cm
Net Weight	7.2kg
Voltage	220V~240VAC
Frequency	50Hz
Watts	1800~2000 Watts

PANNELLO DI CONTROLLO E CONTROLLO REMOTO

Il pannello di controllo si trova nell'angolo in alto a destra dell'unità camino / riscaldamento.

Quando una funzione viene modificata dal pannello di controllo o dal telecomando, verrà visualizzato un indicatore corrispondente. L'indicatore mostra la funzione modificata e il livello selezionato. Quando la funzione è disattivata, l'indicatore corrispondente si sbiadisce

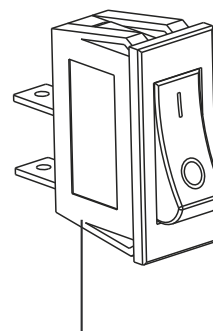


NOTA: Il telecomando non può bloccare / sbloccare la funzione fiamma e riscaldamento, e non può commutare tra Fahrenheit e Celsius.

INTERRUTTORE A LEVETTA

L'interruttore a levetta si trova sul retro dell'unità.

NOTA: Prima di utilizzare il caminetto, assicurarsi di posizionare l'interruttore a levetta su "I". Impostare l'interruttore a levetta su "O" se si desidera spegnere l'unità.



Interruttore a levetta

ISTRUZIONI



Energia

Questo pulsante non solo metterà l'inserito del camino in modalità standby, ma sarà anche possibile vedere l'effetto fiamma attraverso lo schermo. Ciò disattiverà tutte le funzioni contemporaneamente.



Timer

Premere ripetutamente il pulsante del timer per scorrere tra i seguenti timer. Impostazioni: 30 minuti, 1 ora, 2 ore, 3 ore, 4 ore, 5 ore, 6 ore e fuori. Il display mostra: 30-1H-2H-3H-4H-5H-6H-None.

Il camino si spegne automaticamente quando il timer raggiunge lo zero.



Fiamma

Questo pulsante controlla l'effetto fiamma. Ti permette di regolare la fiamma in base al tuo umore. Premere questo pulsante per aumentare / ridurre l'effetto fiamma. Cambia la fiamma premendo ripetutamente il pulsante fiamma.

Il livello di luminosità della fiamma è il seguente: alto-medio-basso-off. E il display mostra L3 -L2- L1 di conseguenza.



Riscaldare

La temperatura predefinita è 22 ° C (72 ° F).

Tenere premuto il pulsante del riscaldatore per 5 secondi, il display lampeggerà, quindi modificare la temperatura premendo ripetutamente il pulsante del riscaldatore.

La gamma di impostazione del termostato è 62 ° -82 ° F o 17 ° -27 ° C.

Per passare da ° F a ° C, tenere premuto il pulsante di accensione per 5 secondi quando il riscaldatore è acceso. Dopo l'impostazione, il display lampeggerà 5 volte.



Timer settimanale

Utilizzare il pulsante TIMER per attivare il timer settimanale.



ARa

Il tempo e la temperatura aumentano durante l'impostazione del timer settimanale.



:OUV

Il tempo e la temperatura diminuiscono durante l'impostazione del timer settimanale.

ISTRUZIONI

FUNZIONAMENTO SETTIMANALE DI IMPOSTAZIONE DEL TIMER

1.Premere il pulsante Timer settimanale per avviare l'impostazione del timer settimanale e il display mostrerà "0". Nota: un altro numero indica che è stato impostato il timer settimanale.

2.Premere il pulsante del timer settimanale una seconda volta fino a quando le cifre posteriori iniziano a lampeggiare, il display mostra "1 d", il che significa che il timer settimanale inizia da oggi.

1 d = primo giorno (oggi)

2 d = secondo giorno (domani)

3 d = terzo giorno

4 d = quarto giorno

5 d = quinto giorno

6 d = sesto giorno

7 d = settimo giorno

3.Premere il pulsante Timer settimanale una terza volta per impostare l'orario di lavoro iniziale. Usare [+] e [-] per regolare. (0 ~ 23)

4.Premere il pulsante Timer settimanale una quarta volta per impostare lo spegnimento dell'orario di lavoro. Usare [+] e [-] per regolare. (0 ~ 23)

5.Premere il pulsante Timer settimanale una quinta volta per impostare la temperatura. Usare [+] e [-] per regolare. (17 ~ 27 o acceso / spento)

6.Premere il pulsante Timer settimanale una sesta volta per il giorno successivo, il display mostrerà "2 d", il metodo di funzionamento è lo stesso di quello sopra.

7. Ripetere l'operazione sopra per ogni giorno!

Se non viene premuto entro 5 secondi durante l'impostazione dell'ora, si uscirà automaticamente dall'impostazione del timer settimanale di 7 giorni.

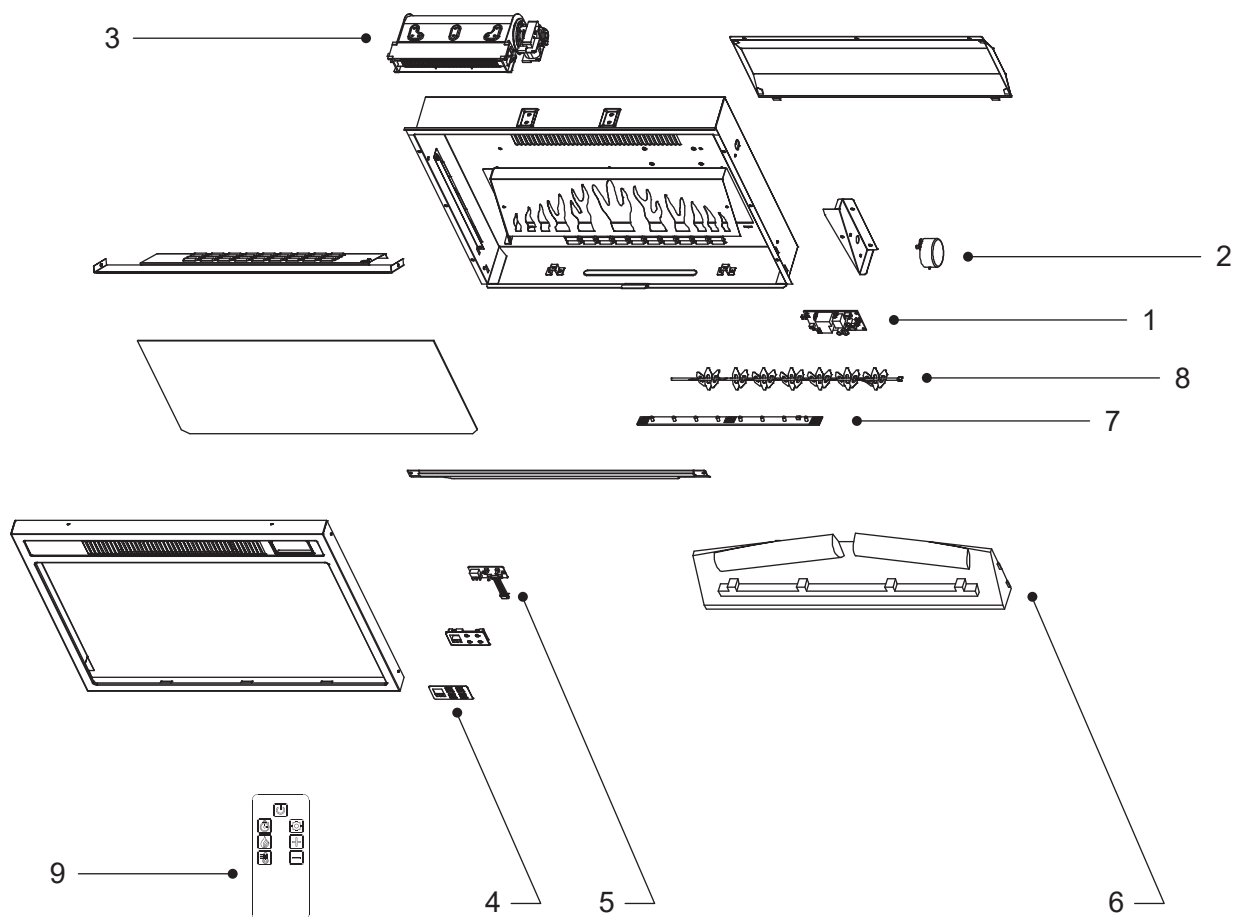
FUNZIONE OPEN WINDOW (FUNZIONI NASCOSTE AGGIUNTIVE)

Nella modalità di riscaldamento con controllo termostato, quando la temperatura ambiente scende di oltre 3 ° C in 30 minuti, il display mostra "00" e lampeggia, questo significa che c'è una finestra aperta o potrebbero esserci alcuni elementi di raffreddamento aperti, allo stesso tempo la temperatura il controllo spegne il riscaldamento. Sarà necessario spegnere l'apparecchio per arrestare i flash.

ELENCO DELLE PARTI DI RICAMBIO E VISTA ESPLOSA

Parte	Nome della parte
1	Circuito principale Motore di azionamento del
2	Generatore di fiamma
3	Gruppo riscaldatore / soffiante
4	Pulsanti del pannello di controllo
5	Pannello di controllo
6	Letto di bruce con registro
7	Scheda effetto fiamma
8	Generatore / filatore di fiamma
9	Telecomando

Alcune parti e specifiche possono cambiare senza preavviso.



GUIDA ALLA RISOLUZIONE DEI PROBLEMI

PROBLEMA	POSSIBILE CAUSE E SOLUZIONE SUGGERITA
Il fuoco non si accende.	<ol style="list-style-type: none">1. Accertarsi che l'interruttore di rete sia acceso.2. Controllare che l'unità sia collegata a una presa standard 220-240V.3. Sostituire il fusibile nella spina.
I registri si illuminano ma l'effetto fiamma non funziona.	Verificare se il motore in rotazione funziona.
Il riscaldatore non funziona, ma gli interruttori / i pulsanti di accensione e riscaldamento sono in posizione "ON".	Ruotare tutti gli interruttori / pulsanti in posizione "OFF" e scollegare l'unità dalla presa a muro per 10 minuti. Dopo 10 minuti ricollegare l'unità alla presa a muro e operare normalmente.
Il fuoco sembra rumoroso.	<ol style="list-style-type: none">1. C'è un livello di rumore quando viene utilizzato l'effetto fiamma, causato da un motore che aiuta a generare l'effetto. Questo rumore verrà udito quando non ci sono altri rumori di fondo.2. Esiste un livello più elevato di rumore associato al motore del riscaldatore; ciò è dovuto al flusso d'aria richiesto quando è stato selezionato il calore.
C'è un effetto fiamma visibile, ma il riscaldatore non soffia aria calda.	<ol style="list-style-type: none">1. Verificare che l'impostazione della temperatura superi la temperatura ambiente.2. Attivare / disattivare il pulsante del riscaldatore più volte per assicurarsi che sia nella posizione "ON"
Il telecomando non funziona.	<ol style="list-style-type: none">1. La pressione ripetuta dei pulsanti in rapida successione può causare malfunzionamenti del trasmettitore. Azionare il trasmettitore remoto a un ritmo misurato lentamente. Premere i pulsanti del telecomando con un movimento uniforme e una leggera pressione.2. Controllare o sostituire le batterie.

INSTRUCTIONS

SOSTITUZIONE DELLA BATTERIA

L'incendio è fornito con un telecomando multifunzione IR. Prima che il telecomando funzioni, è necessario rimuovere il foglio isolante in plastica.

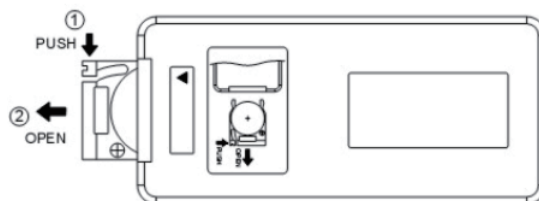
Requisiti della batteria: CR2025

1. Individuare e rimuovere la staffa della batteria.
2. La batteria ha due lati, uno con una funzione pulsante e l'altro è scarica.
3. Inserire la batteria con il pulsante rivolto verso il basso nel relativo supporto, accertandosi che la batteria sia inserita correttamente.

Le batterie devono essere rimosse se il prodotto deve essere lasciato inutilizzato per un lungo periodo di tempo. Le batterie possono contenere sostanze pericolose che potrebbero mettere in pericolo l'ambiente e la salute umana.

Questo simbolo che appare sulla batteria e / o sulla confezione indica che le batterie usate non devono essere trattate con i rifiuti urbani. Invece dovrebbero essere portati al punto di raccolta appropriato per il riciclaggio.

Smaltendo correttamente le batterie usate, si evitano potenziali conseguenze negative per l'ambiente e la salute umana. Il riciclaggio dei materiali usati preserva anche le nostre risorse naturali. Per ulteriori informazioni sulla raccolta e il riciclaggio delle batterie usate, contattare il comune locale, il servizio di smaltimento rifiuti o il negozio in cui è stato acquistato questo prodotto.



SISTEMA DI INTERRUZIONE DI SICUREZZA

NOTA: Il pannello di visualizzazione a LED rimarrà operativo se l'interruttore è attivato, solo gli elementi del termoventilatore sono bloccati.

Questo prodotto ha un dispositivo di protezione da surriscaldamento non auto ripristinante (interruttore termico) che si attiverà se le prese d'aria o le uscite dell'aria sono ostruite. Per motivi di sicurezza, l'incendio NON si riaccenderà automaticamente, prima di poter attivare l'incendio è necessario eseguire la seguente procedura.

NOTA: L'effetto visivo rimarrà operativo se il ritaglio è attivato, viene impedito il funzionamento solo del termoventilatore. Spegnerne l'apparecchio dalla presa a muro o dalla presa. Lasciare il fuoco spento per un periodo non inferiore a 10 minuti, assicurando che tutti gli ostacoli siano rimossi. Accendere l'apparecchio a parete. Assicurarsi che l'apparecchio sia acceso sugli interruttori di controllo. Se l'incendio non funziona correttamente, ripetere la procedura sopra. Se si tenta di accendere l'apparecchio prima che venga ripristinato il ritaglio di sicurezza, l'apparecchio potrebbe spegnersi per un ulteriore periodo di tempo. Se la sequenza è stata seguita correttamente e l'apparecchio continua a non funzionare, controllare il fusibile nella presa a muro. In caso contrario, chiamare un elettricista o un tecnico della manutenzione.

PULIZIA E MANUTENZIONE

SCOLLEGARE SEMPRE L'APPARECCHIO DALLA PRESA DI PRESA DI ALIMENTAZIONE PRINCIPALE PRIMA DI EFFETTUARE QUALSIASI PULIZIA O MANUTENZIONE!

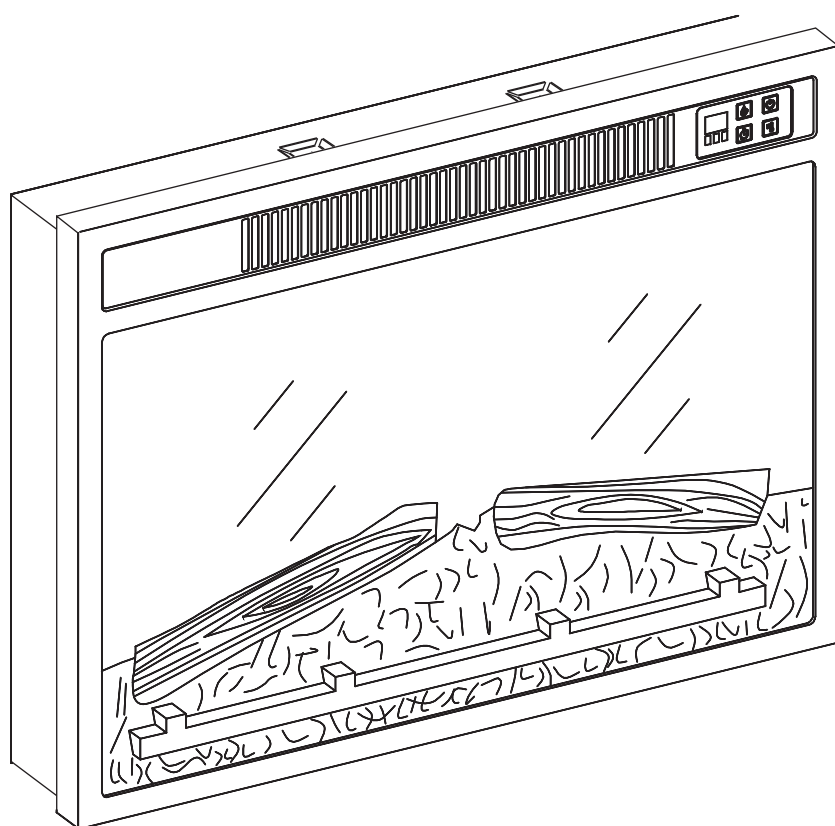
Per la pulizia generale utilizzare uno spolverino morbido e pulito - non usare mai abrasivi o detergenti aggressivi. Lo schermo di visualizzazione in vetro deve essere pulito con cura con un panno morbido.

In caso di dubbi consultare un elettricista qualificato.

Escludendo i fusibili, utilizzare solo ricambi originali del produttore disponibili presso il proprio fornitore. Sostituzione della batteria del telecomando:

Quando la batteria si scarica, l'autonomia del telecomando si riduce. Sostituire la batteria con una nuova batteria al litio CR2025.

NOTA: Tenere la batteria al litio fuori dalla portata dei bambini.



CE

**INFORMACIÓN DE SEGURIDAD PARA EL INSTALADOR / CONSUMIDOR
POR FAVOR LEA TODO ESTE MANUAL CUIDADOSAMENTE ANTES DE INSTALAR Y USAR
LA CHIMENEA**

ADVERTENCIA

EL INCUMPLIMIENTO DE LA INFORMACIÓN DE ESTE MANUAL PUEDE CAUSAR UNA DESCARGA ELÉCTRICA O UN INCENDIO Y PROVOCAR DAÑOS A LA PROPIEDAD, LESIONES PERSONALES INCLUSO MUERTE.

POR TU SEGURIDAD

(El servicio debe ser realizado por una agencia calificada)
NO ALMACENE NI UTILICE GASOLINA U OTROS VAPORES O LÍQUIDOS INFLAMABLES EN LAS VÍCTIMAS DE ESTE O CUALQUIER OTRO APARATO

MANUAL DE MONTAJE E INSTRUCCIONES

DISPOSICIONES GENERALES

INSTRUCCIONES IMPORTANTES

1. Lea todas las instrucciones cuidadosamente antes de utilizar esta chimenea. El incumplimiento de estas instrucciones puede causar una posible descarga eléctrica o incendio, y anulará la garantía.
2. **PRECAUCIÓN:** Tenga mucho cuidado cuando cualquier chimenea sea utilizada por o cerca de los niños o discapacitados, y nunca deje que la chimenea funcione sin supervisión. Esta chimenea puede ser utilizada por los niños mayores de 8 años y las personas con capacidades físicas, sensoriales o mentales reducidas o con falta de experiencia y conocimiento si han recibido supervisión o instrucciones sobre el uso correcto de la chimenea de forma segura y comprenden todos los peligros involucrados.
3. Los niños mayores de 3 pero menos de 8 años solo pueden encender / apagar la chimenea si se haya colocado o instalado en su posición de funcionamiento normal prevista y se les haya supervisado o instruido sobre el uso correcto de la chimenea de manera segura y ellos comprendan todos los peligros involucrados. Los niños mayores de 3 pero menos de 8 años no deben enchufar, configurar ni limpiar la chimenea ni realizar el mantenimiento por la parte del usuario.
4. Siempre mantenga a los niños menores de 3 años alejados de la chimenea a menos que estén supervisados continuamente por adultos.
5. Algunas piezas de esta chimenea pueden calentarse mucho y causar quemaduras. Debe prestar especial atención si haya niños y personas vulnerables cerca de ella.
6. **ADVERTENCIA:** Por motivo de evitar el sobrecalentamiento, no cubra la chimenea.
7. La chimenea no debe ubicarse justamente debajo de una toma de corriente.
8. **PRECAUCIÓN:** Por motivo de evitar un peligro debido al reinicio inadvertido del disyuntor térmico, esta chimenea no debe ser alimentado mediante un dispositivo de conmutación externo, por ejemplo, un temporizador, o conectado a un circuito que se enciende y se apaga regularmente por la red eléctrica.
9. Si el cable de alimentación está dañado de alguna manera, debe ser reemplazado por el fabricante, su agente de servicio o un profesional calificado similar con el fin de evitar un peligro posible.
10. Antes de conectar la chimenea, asegúrese de que el voltaje de la red eléctrica disponible coincida con el indicado en la placa de especificaciones y que la toma de corriente esté conectado a tierra adecuadamente.
11. No intente reparar, desmontar o modificar la chimenea usted mismo. La chimenea no contiene las piezas que pueda reparar el usuario mismo.
12. Siempre desenchufe o desconecte la chimenea de la red eléctrica cuando no esté en uso, o cuando la mueva o la limpie. No tire del cable para desenchufarla.
13. Mantenga la chimenea limpia. No permita que ningún objeto entre en la abertura de ventilación o escape, de lo contrario, puede causar descarga eléctrica, incendio o daños a la chimenea. No la utilice para otro propósito que no sea el indicado. Está diseñada para el uso doméstico en interiores únicamente.
14. Puede emitir olor en los primeros minutos de uso de esta chimenea o después de almacenarla durante un largo plazo. Esto es un fenómeno normal y desaparecerá rápidamente.
15. Si el vidrio está dañado de alguna manera, no utilice la chimenea con el fin de evitar un peligro.
16. Evite utilizar un cable de extensión, de lo contrario, puede sobrecalentarse y causar un riesgo de incendio.
17. Esta chimenea está caliente cuando está en funcionamiento. Por motivo de evitar quemaduras, no permita que la piel desnuda toque la superficie caliente. Si se proporcionan, utilice las manijas

DISPOSICIONES GENERALES

INSTRUCCIONES IMPORTANTES

para moverla.

18. Mantenga los materiales combustibles, por ejemplo, muebles, almohadas, ropa de cama, papeles, ropa y cortinas al menos a 3 pies del frente y los lados de esta chimenea.

19. Esta chimenea está diseñada para ser utilizada en interiores únicamente y no está diseñada para ser utilizada en baños, áreas de lavandería y otros lugares interiores similares. No la coloque en un lugar donde pueda caer en la bañera o quedar expuesta al agua.

20. No pase el cable debajo de la alfombra. Por lo tanto, no cubra el cable con tapetes, mantas o otras cosas similares. Mantenga el cable alejado de las áreas de tráfico y donde no se tropiece con las personas.

21. Si quiere desconectar la chimenea, gire los controles a la posición de "apagado", luego retire el enchufe de la toma de corriente.

22. Esta chimenea tiene piezas calientes, arqueadas o con chispas en su interior. No la utilice en lugares donde se utilice o almacene gasolina, pintura o cualquier líquido inflamable.

23. Esta chimenea no debe ser utilizada como tendedero para secar ropa. No debe colgar calcetines o adornos navideños sobre ella o cerca de ella.

24. Esta chimenea eléctrica es una fuente de calor instantánea para calentar una habitación y se ve muy excelente; no se necesita que se utilice como una fuente constante o permanente de calefacción para la casa.

25. Limpie el fuego regularmente con el fin de evitar la acumulación de pelos o pelusas alrededor del fuego, porque dicha acumulación puede hacer que la salida de aire se obstruya.

26. No utilice aerosoles o limpiadores a vapor sobre o alrededor del fuego.

27. Esta chimenea solo es adecuada para los espacios bien aislados o para uso ocasional.

28. Una vez que la temperatura interna de la chimenea alcance los 85 ± 2 ° C, dejará de funcionar.

29. **ADVERTENCIA:** Esta chimenea no está equipada con un dispositivo para controlar la temperatura ambiente. No la utilice en las pequeñas habitaciones cuando están ocupadas por las personas que no pueden salir por sí mismas, a menos que se proporcione una supervisión constante. Por motivo de restablecer el control de limitación de temperatura, desconecte el enchufe de la chimenea de la fuente de alimentación o apague el interruptor principal durante 10 minutos.

30. **⚠ ADVERTENCIA:** Por motivo de evitar el sobrecalentamiento, no cubra la chimenea.

31. **GUARDE TODAS ESTAS INSTRUCCIONES BIEN.**

INSTRUCCIONES DE MONTAJE

Identificador de modelo: Calgary 23G

Artículo	Símbolo	Valor	Unidad	Artículo	Unidad
Salida de calor				Tipo de entrada de calor, solo para calentadores locales de almacenamiento eléctrico (seleccionar uno)	espacio
Salida de calor nominal	P_{nom}	2,0	kW	Control manual de carga de calor, con termostato integrado	No
Salida de calor mínima	P_{min}	N/A	kW	Control manual de carga de calor con retroalimentación de temperatura ambiente de la habitación y / o exterior	No
Salida de calor máxima continua	P_{max}	1,9	kW	Control electrónico de carga de calor con retroalimentación de temperatura ambiente de la habitación y / o exterior	No
Consumo de electricidad auxiliar				Salida de calor asistida por ventilador	No
A salida de calor nominal	e_{lmax}	N/A	kW	Tipo de salida de calor / control de temperatura ambiente de la habitación (seleccionar uno)	
A salida de calor mínima	e_{lmin}	N/A	kW	Salida de calor de una sola etapa y sin control de temperatura ambiente de la habitación	No
En modo de espera	e_{lsb}	0,22	kW	Dos o más etapas manuales, sin control de temperatura ambiente de la habitación	No
				Con termostato mecánico de control de temperatura ambiente de la habitación	No
				Con control electrónico de temperatura ambiente de la habitación	No
				Con control electrónico de temperatura ambiente de la habitación y temporizador diurno	No
				Con control electrónico de temperatura ambiente de la habitación y temporizador semanal	Sí
				Otras opciones de control (múltiples opciones posibles)	
				Control de temperatura ambiente de la habitación con detección de presencia	No
				Control de temperatura ambiente de la habitación, con detección de ventana abierta	Sí
				Con opción de control de distancia	No
				Con control de inicio adaptativo	No
				Con limitación de tiempo de funcionamiento	No
				Con sensor de bombilla negra	No

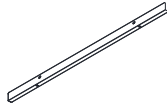
INSTRUCCIONES DE MONTAJE

HERRAMIENTAS NECESARIAS

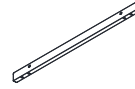


Destornillador Phillips
(no incluido)

HARDWARE



AA x 1



BB x 2

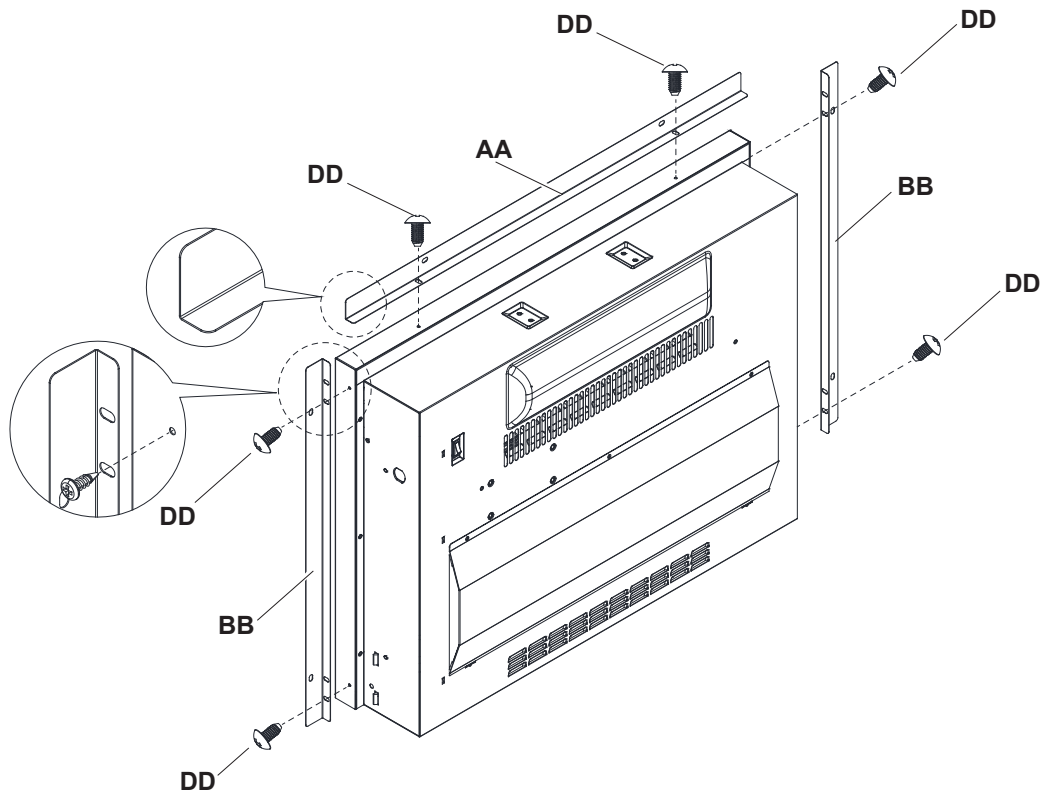


Φ4 X 10mm
CC x 6+2 extra

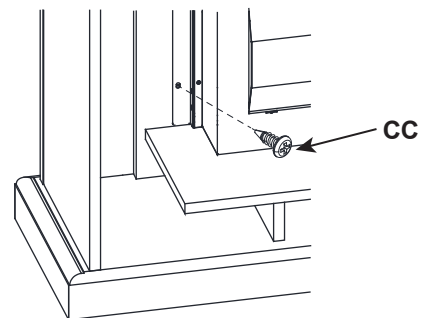
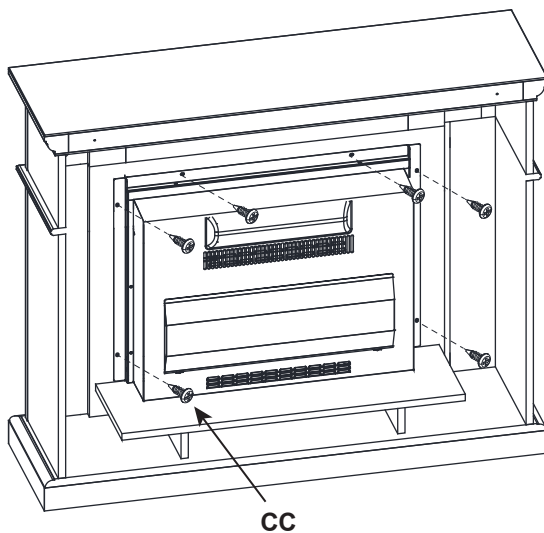


Φ4 X 6mm
DD x 6+2 extra

1. COLOCAR LOS MOLDURAS METÁLICAS



2. INSTALAR EL INSERTO PARA CHIMENEA



INSTRUCCIONES DE OPERACIÓN

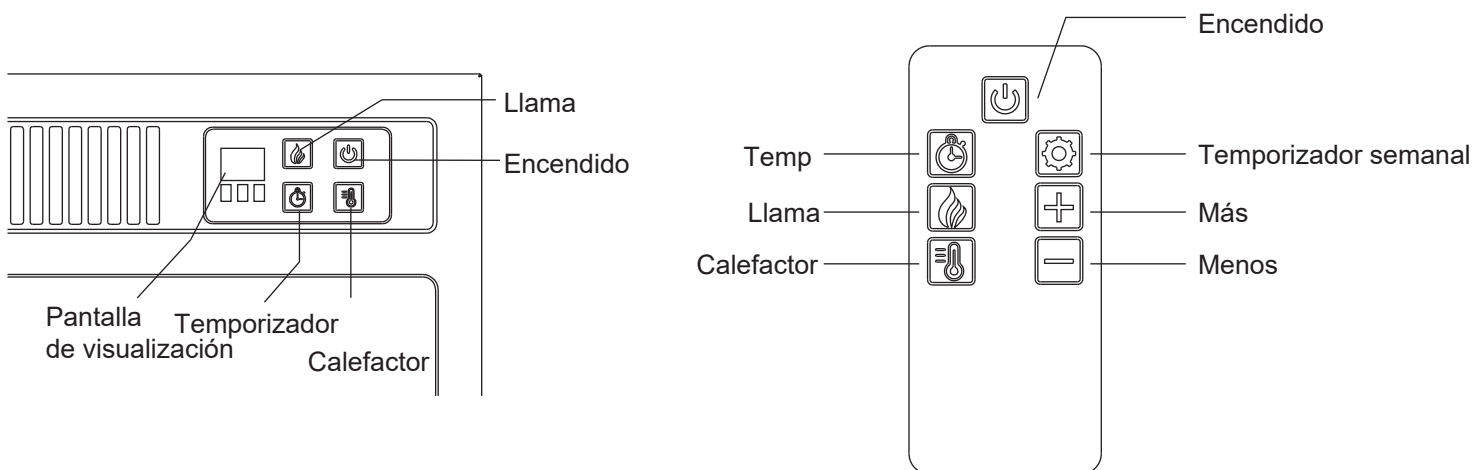
ESPECIFICACIONES DE CHIMENEA ELÉCTRICA

Inserto de chimenea Dimensiones (An x Pr x Al)	23 x 5 x 17 1/8 inch 58.4 x 12.8 x 43.5 cm
Peso neto	7.2kg
Voltaje	220V~240VAC
Frecuencia	50Hz
Vatios	1800~2000 Watts

PANEL DE CONTROL Y CONTROL REMOTO

El panel de control está ubicado en la esquina superior derecha de la unidad de chimenea / calefactor.

Cuando se active una función mediante el panel de control o el control remoto, se encenderá el indicador correspondiente. El indicador muestra la función cambiada y el nivel elegido. Cuando la función está apagada, el indicador correspondiente se descolorará.



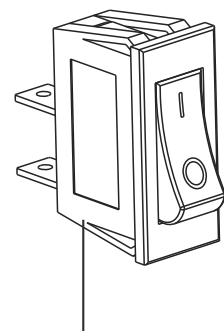
NOTA: El control remoto no puede bloquear / desbloquear la función de llama y calefacción, y no puede cambiar entre Fahrenheit y Celsius.

INTERRUPTOR DE PALANCA

El interruptor de palanca está ubicado en la parte posterior de la unidad de chimenea.








NOTA: Antes de utilizar la chimenea, asegúrese de colocar el interruptor de palanca en la posición de "I".

Si quiere apagar la unidad de chimenea, coloque el interruptor de palanca en la posición de "O".



interruptor de palanca

INSTRUCCIONES DE OPERACIÓN

	<p>Encendido</p> <p>Si se presione este botón, no solo se pondrá el inserto de la chimenea en modo de espera, sino que también se podrá ver el efecto de llama a través de la pantalla. Y se podrá desactivar todas las funciones a la vez.</p>
	<p>Temporizador</p> <p>Al presionar el botón del temporizador repetidamente, se alternará las siguientes configuraciones del temporizador: 30 minutos, 1 hora, 2 horas, 3 horas, 4 horas, 5 horas, 6 horas y apagado. En la pantalla se muestra correspondientemente: 30-1H-2H-3H-4H-5H-6H-Nada.</p> <p>La chimenea se apagará de manera automática cuando el temporizador llegue a cero minutos.</p>
	<p>Llama</p> <p>Este botón controla el efecto de llama. Le permite ajustar la llama según sus preferencias personales.</p> <p>Presione este botón para aumentar / disminuir el efecto de llama.</p> <p>Presione el botón de llama repetidamente para cambiar la llama.</p> <p>El nivel de brillo de la llama es como lo siguiente: alto-medio-bajo-apagado. Y en la pantalla se muestra correspondiente mente L3 -L2- L1 en consecuencia.</p>
	<p>Calefactor</p> <p>La temperatura de configuración predeterminada es 72 ° F (22 ° C).</p> <p>Mantenga presionado el botón del calefactor durante 5 segundos, la pantalla parpadeará, luego presione el botón del calefactor repetidamente para cambiar la temperatura.</p> <p>El rango de configuración del termostato es 62 ° -82 ° F o 17 ° -27 ° C.</p> <p>Para cambiar entre ° F y ° C, mantenga presionado el botón de encendido durante 5 segundos cuando el calefactor esté encendido.</p> <p>Después de realizar la configuración, la pantalla de visualización parpadeará 5 veces.</p>
	<p>Temporizador semanal</p> <p>Presione el botón de TEMPORIZADOR para activar el temporizador semanal.</p>
	<p>Más</p> <p>Presione este botón para aumentar el tiempo y la temperatura al configurar el temporizador semanal.</p>
	<p>Menos</p> <p>Presione este botón para disminuir el tiempo y la temperatura al configurar el temporizador semanal.</p>

INSTRUCCIONES DE OPERACIÓN

OPERACIÓN DE CONFIGURACIÓN DEL TEMPORIZADOR SEMANAL

1. Presione el botón del temporizador semanal para empezar la configuración del temporizador semanal, y en la pantalla se mostrará "0".

Nota: Si en la pantalla se muestra otro número, lo significa que se ha configurado el temporizador semanal.

2. Presione el botón del temporizador semanal por segunda vez hasta que los dígitos posteriores empiezan a parpadear, en la pantalla se muestra "1 d", lo que significa que el temporizador semanal empieza a partir de hoy.

1 d = Primer día (hoy)

2 d = Segundo día (mañana)

3 d = Tercer día

4 d = Cuarto día

5 d = Quinto día

6 d = Sexto día

7 d = Séptimo día

3. Presione el botón del temporizador semanal por tercera vez para configurar las horas de inicio. Presione [+] y [-] para ajustar. (0 ~ 23)

4. Presione el botón del temporizador semanal por cuarta vez para configurar las horas de apagado. Presione [+] y [-] para ajustar. (0 ~ 23)

5. Presione el botón del temporizador semanal por quinta vez para configurar la temperatura. Presione [+] y [-] para ajustar. (17 ~ 27 o encendido / apagado)

6. Presione el botón del temporizador semanal por sexta vez para configurar el día siguiente, en la pantalla se mostrará "2 d", el método de configuración es el mismo que el anterior.

7. ¡Repita los pasos de configuración anteriores para configurar cada día!

Si usted no presiona ningún botón aproximadamente 5 segundos durante la configuración de tiempo, saldrá automáticamente de la configuración del temporizador semanal para 7 días.

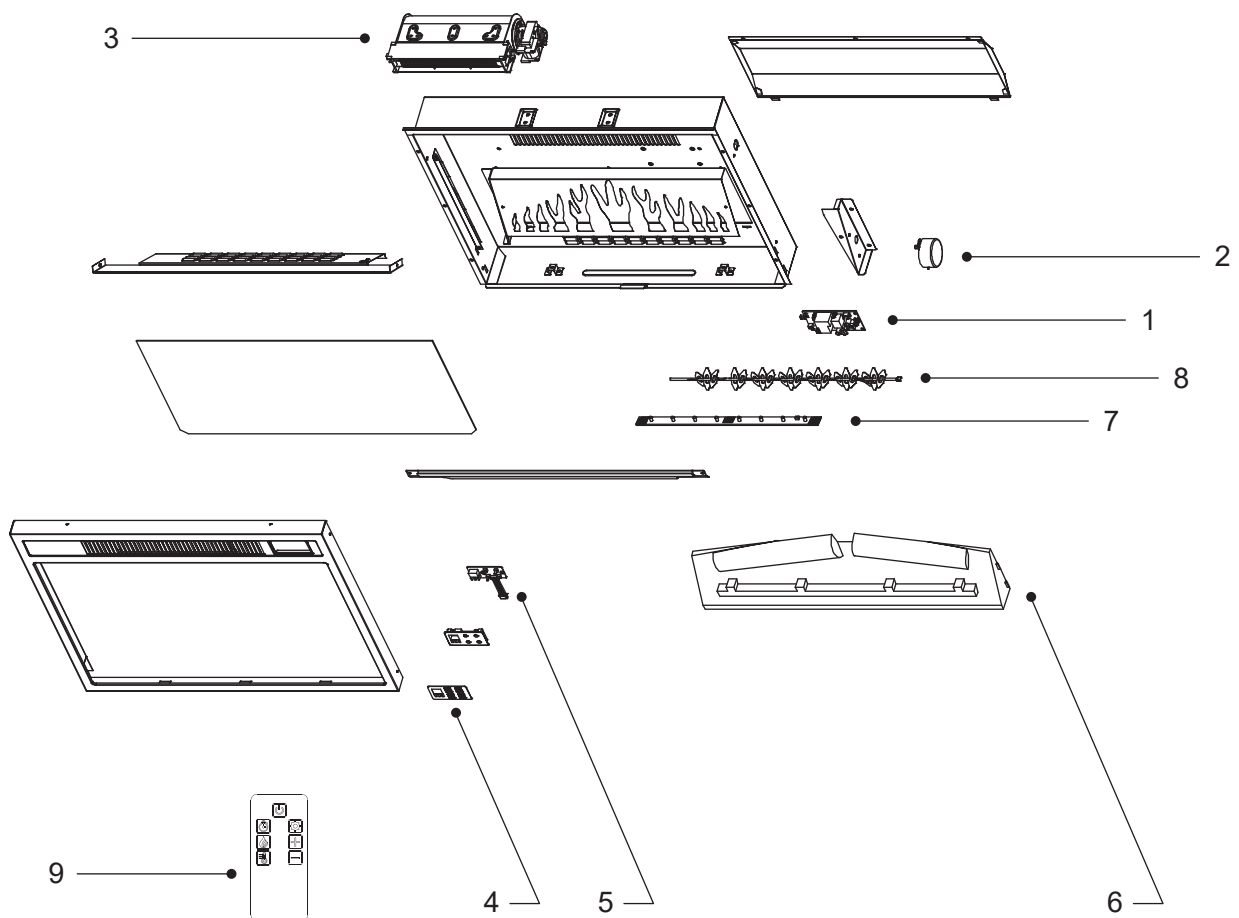
FUNCIÓN DE VENTANA ABIERTA (FUNCIONES OCULTAS ADICIONALES)

En el modo de calefacción con control de termostato, cuando la temperatura ambiente de la habitación cae más de 3 ° C dentro de 30 minutos, en la pantalla se muestra "00" y se parpadea, esto significa que hay una ventana abierta en la habitación o que pueden existir algunos elementos de refrigeración abiertos, al mismo tiempo, el control de temperatura apaga la calefacción. Entonces, debe apagar la chimenea para detener la parpadea.

LISTA DE PIEZAS DE REPUESTO Y VISTA EN DESPIECE ORDENADO

Pieza	Nombre de pieza
1	Placa de circuito principal
2	Motor de accionamiento del generador de llama
3	Conjunto de calentador / soplador
4	Botones del panel de control
5	Placa de circuito del panel de control
6	Incrustado con troncos
7	Placa de circuito de efecto de llama
8	Generador de llama / hilandero
9	Control remoto

Algunas piezas y especificaciones se pueden cambiar sin previo aviso.



LISTA DE PIEZAS DE REPUESTO Y VISTA EN DESPIECE ORDENADO

PROBLEMA	CAUSA POSIBLE Y SOLUCIÓN SUGERIDA
El fuego no se enciende.	<ol style="list-style-type: none"> 1. Asegúrese de que el interruptor principal esté encendido. 2. Compruebe si la unidad de chimenea esté conectada a una toma de corriente estándar de 220-240V. 3. Reemplace el fusible en el enchufe.
Los troncos brillan pero el efecto de llama no funciona.	Verifique si el motor hilandero está funcionando.
La chimenea/calefactor no funciona, pero los interruptores / botones de encendido y de la chimenea/calefactor están en la posición de "ON (ENCENDIDO)"	Coloque todos los interruptores / botones a la posición "OFF (APAGADO)" y desenchufe la unidad de chimenea de la toma de corriente de pared. Después de 10 minutos, vuelva a enchufar la unidad de chimenea a la toma de corriente de la pared y opérela normalmente.
El fuego hace ruido.	<ol style="list-style-type: none"> 1. Hace un nivel de ruido cuando se activa el efecto de llama, esto es causado por un motor que ayuda a generar el efecto. Este ruido se escuchará cuando el entorno es muy silencioso y no hay otro sonido. 2. El motor del calefactor hace un nivel de ruido más alto; esto es causado por el flujo de aire necesario si se ha seleccionado función de calefacción.
Se puede ver el efecto de llama, pero la chimenea/calefactor no genera aire caliente.	<ol style="list-style-type: none"> 1. Compruebe si la temperatura configurada es más alta que la temperatura ambiente. 2. Encienda / apague el botón del calefactor varias veces para asegurarse de que esté en la posición de "ON (ENCENDIDO)".
El control remoto no funciona.	<ol style="list-style-type: none"> 1. Si presiona repetidamente los botones demasiado rápidamente, se puede causar un mal funcionamiento del transmisor del control remoto. Opere el control remoto a un ritmo medido y suave. Presione los botones del control remoto con fuerza suave. 2. Compruebe o reemplace las baterías del control remoto si es necesario.

INSTRUCCIONES

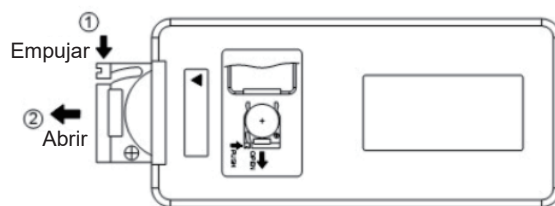
REEMPLAZO DE BATERÍA

El Fuego se suministra con un control remoto multifuncional IR.

Antes de operar el control remoto, debe quitar la lámina aislante de plástico.

Requisitos de la batería: CR2025

1. Encuentre y retire el soporte de la batería.
2. La batería tiene dos lados, un lado tiene forma de botón y el otro lado es plano.
3. Inserte la batería de manera que el lado en forma de botón está orientado hacia abajo en el soporte de la batería, asegurándose de que la batería esté asentada en su lugar bien.



Debe quitar las baterías del producto si no se va a utilizarlo durante largo plazo.

Las baterías pueden contener sustancias peligrosas que ponen en peligro el medio ambiente y la salud humana.

Este símbolo que se marca en la batería y / o el embalaje del producto indica que no se deben desechar las baterías usadas juntas con residuos municipales. En su lugar, deben llevarse a la recolección adecuada para realizar el reciclaje.

Si se desechan las baterías usadas de manera correcta, se puede evitar las consecuencias negativas posibles para el medio ambiente y la salud humana. El reciclaje de materiales usados también protege nuestros recursos naturales. Por motivo de obtener más información sobre la recolección y el reciclaje de las baterías usadas, póngase en contacto con con su municipio local, su servicio de eliminación de desechos o la tienda donde compró el producto.



SISTEMA DE CORTE DE SEGURIDAD

NOTA: La pantalla de visualización LED permanecerá operativo si se activa el corte, solo se impide que funcionen los elementos del calefactor del ventilador.

Este producto cuenta con un dispositivo de protección contra sobrecalentamiento que no se reinicia de manera automática (corte térmico), que se activará si las entradas o salidas de aire están obstruidas de alguna manera. Por razones de seguridad, el Fuego NO se podrá encender de nuevo automáticamente, se debe cumplir el siguiente procedimiento para poder encender el Fuego.

NOTA: El efecto visual permanecerá operativo si se activa el corte, solo se evita que funcione el calefactor del ventilador.

Apague el aparato a través de la toma de corriente o la salida. Deje el Fuego en estado de APAGADO al menos de 10 minutos, asegurándose de eliminar todas las obstrucciones. Luego encienda el aparato en la pared. Asegúrese de que los interruptores de control del aparato estén ENCENDIDOS. Si el Fuego no funciona de manera correcta, repita el procedimiento anterior. Si usted intenta encender el aparato antes de haber reiniciado el corte de seguridad, el aparato puede apagarse por un período más largo. Si el orden de sus operaciones es correcto, pero el aparato sigue fallando, compruebe el fusible de la toma de corriente. Si esta no es la causa tampoco, póngase en contacto con un electricista o ingeniero de mantenimiento profesional.

LIMPIEZA Y MANTENIMIENTO

**SIEMPRE DESCONECTE EL APARATO DE LA TOMA DE ALIMENTACIÓN
DESENCHUFE EL APARATO ANTES DE REALIZAR CUALQUIER LIMPIEZA O MANTENIMIENTO!**

Para realizar la limpieza general, utilice un plumero suave y limpio; nunca utilice los limpiadores o abrasivos fuertes. Debe limpiar la pantalla de visualización de vidrio cuidadosamente con un paño suave.

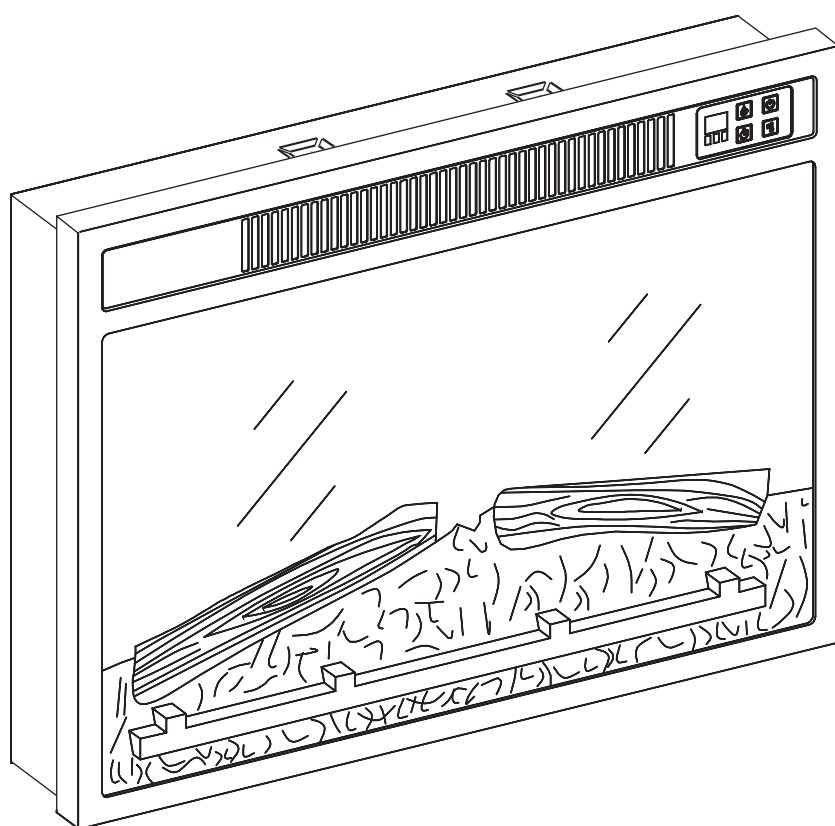
En caso de duda, póngase en contacto con un electricista calificado.

Excepto los fusibles, solo utilice las piezas de repuesto originales proporcionadas por los fabricantes que están disponibles en su proveedor.

Reemplazo de la batería del control remoto:

Cuando la batería se agota, el rango de uso del control remoto se acortará. Reemplace la batería por una nueva batería de litio CR2025.

NOTA: Mantenga la batería de litio alejada de los niños.



CE

IMPORTANTE, LEIA ATENTAMENTE TODO ESTE MANUAL ANTES DE INSTALAR E UTILIZAR A LAREIRA.

AVISO


O NÃO CUMPRIMENTO DAS INFORMAÇÕES CONTIDAS NESTE MANUAL PODE CAUSAR CHOQUE ELÉCTRICO OU INCÊNDIO E RESULTAR EM DANOS MATERIAIS, FERIMENTOS PESSOAIS OU MORTE.

PARA SUA SEGURANÇA

NÃO ARMAZENAR OU UTILIZAR GASOLINA OU OUTROS VAPORES OU LÍQUIDOS INFLAMÁVEIS DESTE OU DE QUALQUER OUTRA APARELHAGEM.

MANUAL DE INSTRUÇÕES

1. Leia cuidadosamente todas as instruções antes de utilizar esta lareira. O não cumprimento destas instruções pode resultar em possível choque eléctrico ou incêndio e anulará a garantia.
2. **CUIDADO:** Ter extremo cuidado quando qualquer lareira for utilizada por ou perto de crianças ou pessoas deficientes, e nunca permitir que a lareira funcione sem vigilância. Esta lareira pode ser utilizada por crianças com mais de 8 anos de idade e por pessoas com capacidades físicas, sensoriais ou mentais reduzidas ou com falta de experiência e conhecimentos, se tiverem recebido supervisão ou instrução na utilização correcta da lareira de forma segura e compreenderem todos os perigos envolvidos.
3. As crianças com mais de 3 anos mas com menos de 8 anos só podem acender / apagar a lareira se esta tiver sido colocada ou instalada na sua posição normal de funcionamento e se tiverem sido supervisionadas ou instruídas sobre a utilização correcta da lareira de forma segura e compreenderem todos os perigos envolvidos. As crianças com mais de 3 mas menos de 8 anos de idade não devem ligar, montar, limpar ou reparar a lareira em nome do utilizador.
4. Manter sempre as crianças com menos de 3 anos longe da lareira, a menos que sejam continuamente supervisionadas por adultos.
5. Algumas partes desta lareira podem tornar-se muito quentes e causar queimaduras. Deve ser tomado especial cuidado se as crianças e as pessoas vulneráveis estiverem perto da lareira.
6. **ATENÇÃO:** Para evitar o sobreaquecimento, não cobrir a lareira.
7. A lareira não deve ser colocada directamente debaixo de uma tomada eléctrica.
8. **CUIDADO:** Para evitar o perigo devido à reinicialização inadvertida do disjuntor térmico, esta lareira não deve ser alimentada por um dispositivo de comutação externo, por exemplo um temporizador, ou ligada a um circuito que é ligado e desligado regularmente pela rede eléctrica.
9. Se o cabo de alimentação for danificado de alguma forma, deve ser substituído pelo fabricante, pelo seu agente de serviço ou por um profissional qualificado semelhante, a fim de evitar possíveis perigos.
10. Antes de ligar a lareira, certificar-se de que a tensão de rede disponível corresponde à tensão indicada na placa de classificação e que a tomada está devidamente ligada à terra.
11. Não tente reparar, desmontar ou modificar a lareira você mesmo. A lareira não contém peças reparáveis pelo utilizador.
12. Desligar ou desconectar sempre a lareira da rede quando não estiver a ser utilizada, ou quando estiver em movimento ou a limpar. Não puxar o cordão para o desligar.
13. Manter a lareira limpa. Não permitir a entrada de quaisquer objectos na abertura de ventilação ou de exaustão, caso contrário pode causar choque eléctrico, incêndio ou danos na lareira. Não a utilize para qualquer outro fim que não seja aquele a que se destina. Foi concebido apenas para uso doméstico interior.
14. O odor pode ser emitido nos primeiros minutos de utilização desta lareira ou após armazenamento a longo prazo. Este é um acontecimento normal e irá desaparecer rapidamente.
15. Se o vidro for danificado de alguma forma, não utilizar a lareira para evitar um acidente.
16. Evitar a utilização de uma extensão, caso contrário pode sobreaquecer e causar um risco de incêndio.
17. Esta lareira está quente quando em funcionamento. Para evitar queimaduras, não permitir que a pele nua toque na superfície quente. Se fornecido, utilizar as pegas para movê-la.
18. Manter os materiais combustíveis, por exemplo, mobiliário, almofadas, roupa de cama, papéis, vestuário e cortinas a pelo menos 1 metro da frente e dos lados desta lareira.

19. Esta lareira é concebida apenas para uso interior e não se destina a ser utilizada em casas de banho, áreas de lavandaria e locais interiores semelhantes. Não o coloque num local onde possa cair na banheira ou estar exposto à água.
 20. Não passar o cordão debaixo do tapete. Por conseguinte, não cobrir o cordão com tapetes, cobertores ou algo semelhante. Manter o cordão afastado das zonas de circulação e onde não será tropeçado.
 21. Se desejar desligar a lareira, virar os comandos para a posição "off", depois retirar a ficha da tomada.
 22. Esta lareira tem peças quentes, arqueadas ou com faíscas no seu interior. Não a utilize onde se utilize ou armazene gasolina, tinta ou quaisquer líquidos inflamáveis.
 23. Esta lareira não deve ser utilizada como estendal de secagem de roupa. Não pendurar meias ou decorações de Natal sobre ou perto dela.
 24. Esta lareira eléctrica é uma fonte de calor instantânea para aquecer uma divisão e tem um aspecto muito excelente; não precisa de ser usada como uma fonte constante ou permanente de aquecimento para a casa.
 25. Limpar regularmente a fim de evitar a acumulação de cabelo ou algodão à volta porque tal acumulação pode causar o bloqueio da saída de ar.
 26. Não utilizar aerossóis ou produtos de limpeza a vapor sobre ou em redor do fogo.
 27. Esta lareira só é adequada para espaços bem isolados ou para uso ocasional.
 28. Quando a temperatura interna da lareira atingir $85 \pm 2^{\circ}\text{C}$, esta deixará de funcionar.
 29. AVISO: Esta lareira não está equipada com um dispositivo para controlar a temperatura ambiente. Não o utilize em salas pequenas
- Não a utilize em salas pequenas quando estas estiverem ocupadas por pessoas que não podem sair sozinhas, a menos que seja fornecida supervisão constante. Para reiniciar o controlo limitador de temperatura, desligar a ficha da lareira da fonte de alimentação ou desligar o interruptor principal durante 10 minutos.
30.  **ATENÇÃO:** Para evitar o sobreaquecimento, não cobrir a lareira.
 31. MANTER TODAS ESTAS INSTRUÇÕES NUM LOCAL SEGURO.

INSTRUÇÕES DE MONTAGEM

Identificador do modelo: Calgary 23G						
Artigo	Símbolo	Valor	Unidade		Artigo	Unidade
Saída de calor					Tipo de fornecimento de calor, apenas para aquecedores eléctricos (seleccionar um)	
Saída de calor nominal	P_{nom}	2,0	kW		Controlo manual da carga térmica, com termóstato integrado	Não
Saída de calor mínima (indicativo)	P_{min}	N/A	kW		Controlo manual da carga térmica com retroalimentação de temperatura do interior e/ou exterior	Não
Saída de calor continua máxima	P_{max}	1,9	kW		Controlo electrónico da carga térmica com retroalimentação de temperatura do interior e/ou exterior	Não
Consumo de electricidade auxiliar					Salida de calor assistida por ventilador	Não
A saída de calor nominal	e_{lmax}	N/A	kW		Tipo de saída de calor/controlo de temperatura do ar (seleccionar um)	
Potência calorífica nominal mínima	e_{lmin}	N/A	kW		Saída de calor de somente uma etapa e sem controlo de temperatura ambiente na habitação	Não
Modo de espera	e_{lSB}	0,22	kW		Dois ou mais etapas de controlo manual, sem controlo da temperatura interior	Não
					Com controlo da temperatura interior por termóstato mecânico	Não
					Com controlo electrónico da temperatura interior	Não
					Controlo electrónico da temperatura interior e temporizador diário	Não
					Controlo electrónico da temperatura interior e temporizador semanal	Não
					Outras opções de controlo (várias podem ser seleccionadas)	
					Controlo da temperatura interior com detecção de presença	Não
					Controlo da temperatura interior com detecção de janela aberta	Sim
					Com opção de controlo remoto	Não
					Com controlo adaptativo de início de funcionamento	Não
					Com tempo de funcionamento limitado	Não
					Com lâmpada de sensor preta	Não

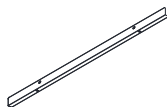
INSTRUÇÕES DE MONTAGEM

FERRAMENTAS NECESSÁRIAS



Chave de Fendas
Phillips (não incluída)

PARAFUSOS



AA x 1



BB x 2

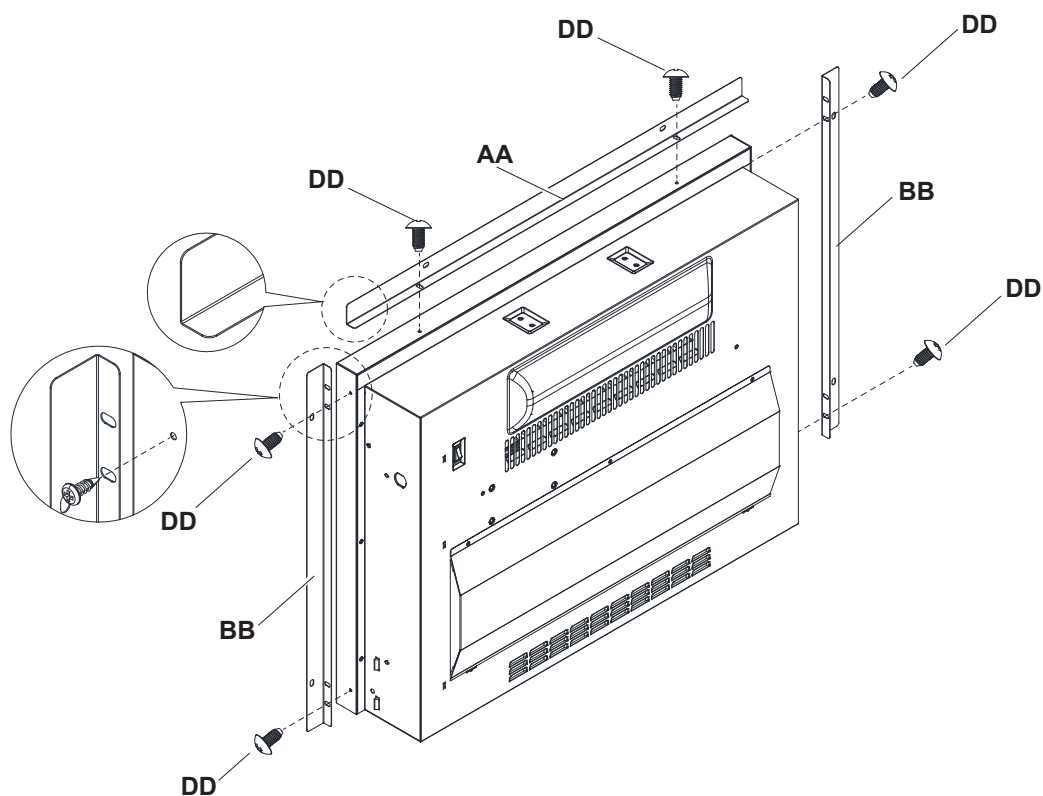


Φ4 X 10mm
CC x 6+2 extra

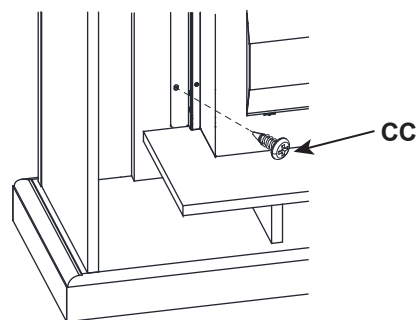
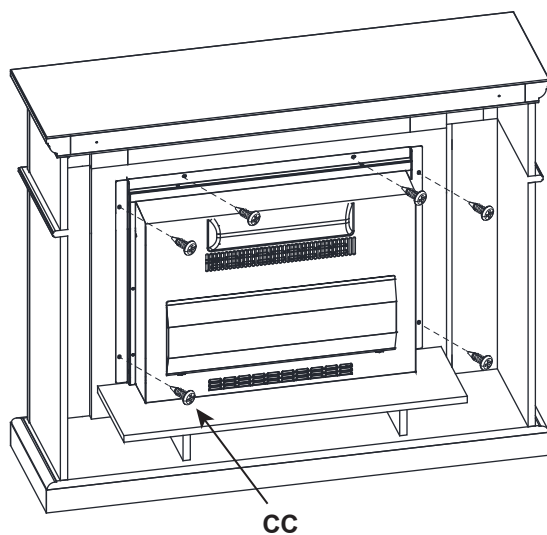


Φ4 X 6mm
DD x 6+2 extra

1. COLOCAR AS MOLDURAS METÁLICAS



2. INSTALAÇÃO DA LAREIRA



INSTRUÇÕES DE FUNCIONAMENTO

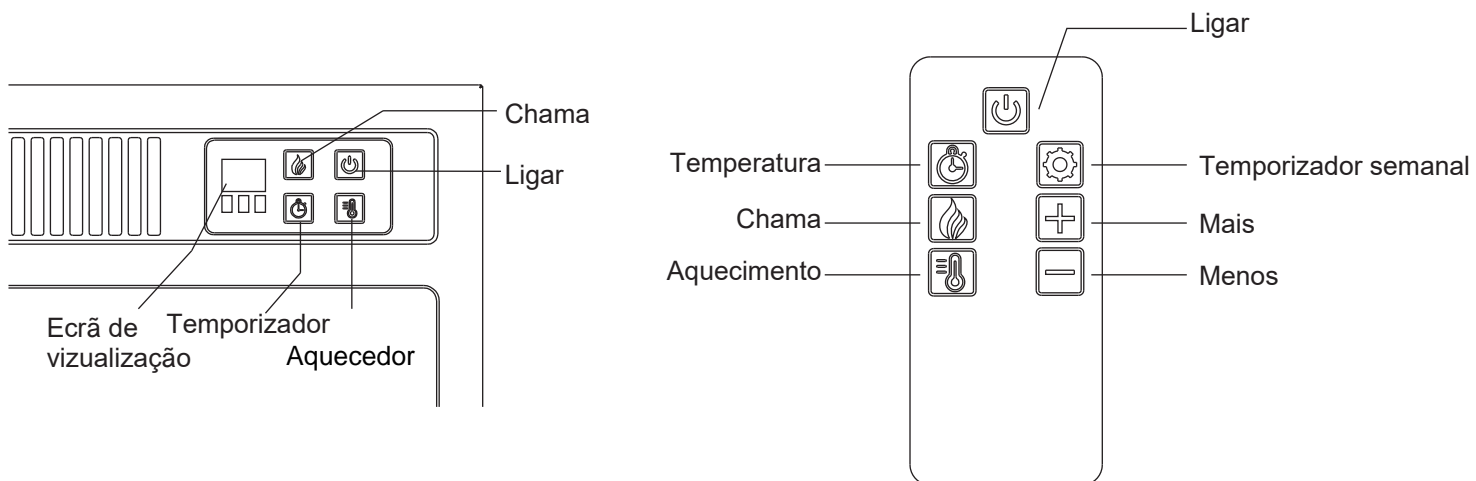
ESPECIFICAÇÕES TÉCNICAS

Medidas da lareira (CxLxA)	23 x 5 x 17 1/8 inch 58.4 x 12.8 x 43.5 cm
Peso	7.2kg
Voltagem	220V~240VAC
Frequência	50Hz
Watts	1800~2000 Watts

PAINEL DE CONTROLO E CONTROLO REMOTO

O painel de controlo está localizado no canto superior direito da lareira/unidade de aquecimento.

Quando uma função é activada através do painel de controlo ou controlo remoto, o indicador correspondente acende-se. O indicador mostra a função alterada e o nível escolhido. Quando a função é desligada, o indicador correspondente será desligado.

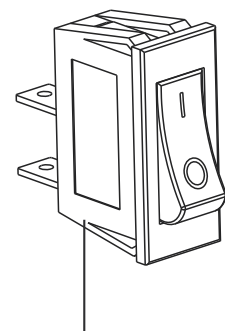


NOTA: O controlo remoto não pode bloquear/desbloquear a função de chama e aquecimento, e não pode alternar entre Fahrenheit e Celsius.

INTERRUPTOR







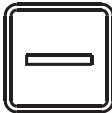
O interruptor está situado na parte de trás da lareira. NOTA: Antes de utilizar a lareira, certifique-se de colocar o interruptor de comutação na posição "I".

Se quiser desligar a unidade da lareira, coloque o interruptor de comutação na posição "O".



Interruptor

INSTRUÇÕES DE FUNCIONAMENTO

	Ligação Premindo este botão não só colocará a inserção da lareira em modo de espera, como também poderá ver o efeito da chama através do visor. E todas as funções podem ser desactivadas ao mesmo tempo.
	Temporizador Premindo repetidamente o botão do temporizador, o ciclo passará pelas seguintes definições do temporizador: 30 minutos, 1 hora, 2 horas, 3 horas, 4 horas, 5 horas, 6 horas e desligado. O visor mostra em conformidade: 30-1H-2H-3H-4H-5H-6H-Nenhum. A lareira desliga-se automaticamente quando o temporizador chega a zero minutos. O temporizador chega a zero minutos.
	Chama Este botão controla o efeito da chama. Permite-lhe ajustar a chama à sua preferência pessoal. Premir este botão para aumentar / diminuir o efeito da chama. Premir o botão da chama repetidamente para mudar a chama. O nível de luminosidade da chama é o seguinte: alto-médio-baixo. E o visor mostra correspondentemente L3 -L2- L1 em conformidade.
	Aquecedor A temperatura predefinida é de 22°C (72°F). Manter premido o botão de aquecimento durante 5 segundos, o visor piscará, depois premir repetidamente o botão de aquecimento para alterar a temperatura. A gama de regulação do termóstato é de 62° -82° F ou 17° -27° C. Para mudar entre ° F e ° C, premir e manter premido o botão de alimentação durante 5 segundos quando o aquecedor estiver ligado. Após a definição, o ecrã de visualização piscará 5 vezes.
	Temporizador semanal Prima o botão TIMER para activar o temporizador semanal.
	Mais Premir este botão para aumentar o tempo e a temperatura ao definir o temporizador semanal.
	Menos Prima este botão para diminuir o tempo e a temperatura ao definir o temporizador semanal.

INSTRUÇÕES DE FUNCIONAMENTO

OPERAÇÃO SEMANAL DE AJUSTE DO TEMPORIZADOR

1. Prima o botão do temporizador semanal para iniciar a definição do temporizador semanal, e o visor mostrará "0".

Nota: Se o visor mostrar outro número, significa que o temporizador semanal foi definido.

2. Premir o botão do temporizador semanal uma segunda vez até que os dígitos subsequentes comecem a piscar, o visor mostrará "1 d", o que significa que o temporizador semanal começa a partir de hoje.

1 d = Primeiro dia (hoje)

2 d = Segundo dia (amanhã)

3 d = Terceiro dia

4 d = Quarto dia

5 d = Quinto dia

6 d = Sexto dia

7 d = Sétimo dia

3. Prima o botão do temporizador semanal uma terceira vez para definir as horas de início. Prima [+] e [-] para ajustar. (0 ~ 23)

4. Prima o botão do temporizador semanal pela quarta vez para acertar os tempos de arranque. Prima [+] e [-] para ajustar. (0 ~ 23)

5. Prima o botão do temporizador semanal pela quinta vez para definir a temperatura. Prima [+] e [-] para ajustar. (17 ~ 27 ou on/off)

6. Prima o botão do temporizador semanal pela sexta vez para definir o dia seguinte, o visor mostrará "2 d", o método de definição é o mesmo que acima.

7. Repita os passos de definição acima para definir cada dia!

Se não premir nenhum botão durante cerca de 5 segundos durante a definição do tempo, sairá automaticamente da definição do temporizador semanal durante 7 dias.

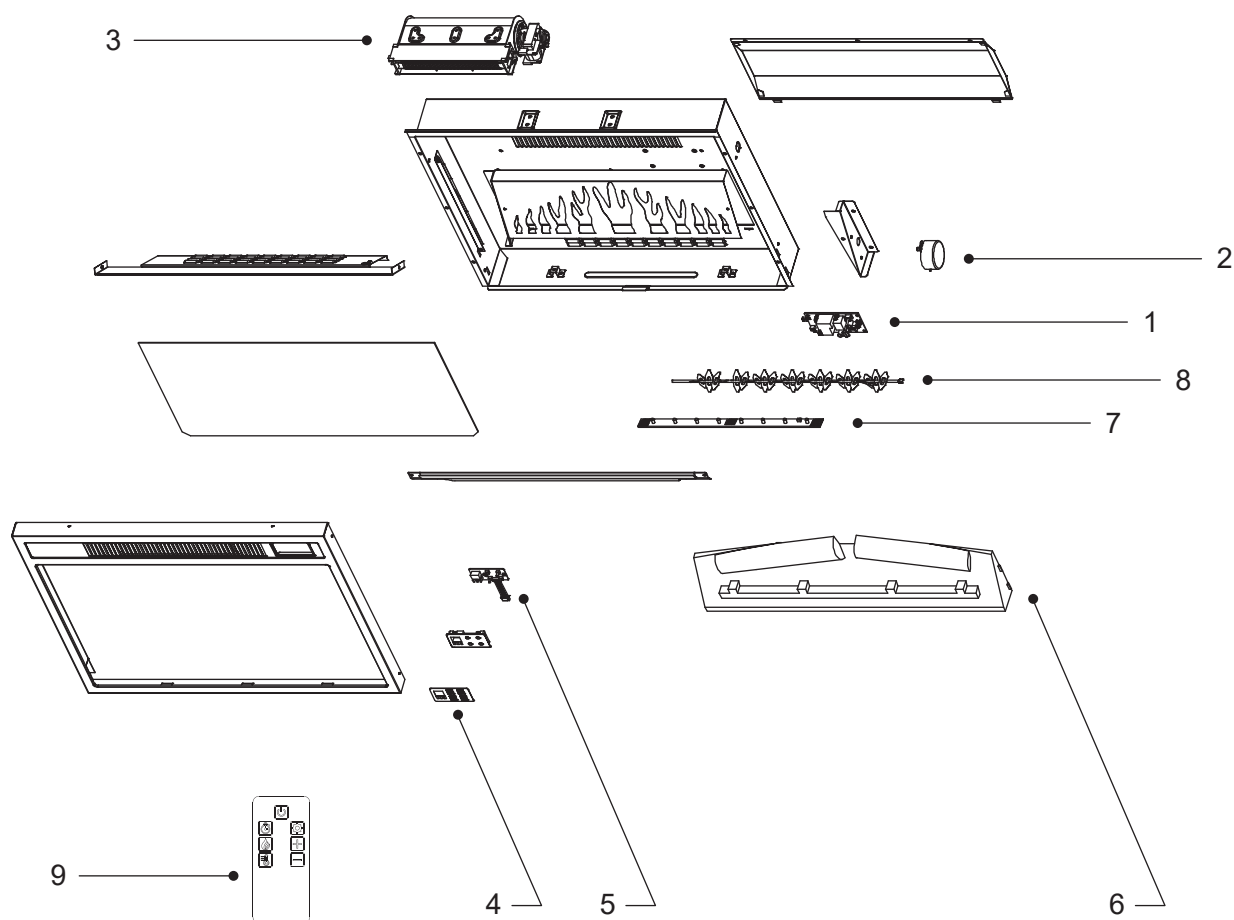
FUNÇÃO DE JANELA ABERTA (FUNÇÕES OCULTAS ADICIONAIS)

No modo de aquecimento com controlo por termóstato, quando a temperatura ambiente da sala cai mais de 3°C dentro de 30 minutos, o visor mostra "00" e pisca, isto significa que há uma janela aberta na sala ou pode haver alguns elementos de arrefecimento abertos, ao mesmo tempo, o controlo da temperatura desliga o aquecimento. Em seguida, deve desligar a lareira para parar o pisca-pisca.

LISTA DE PEÇAS

PEÇA	NOME DA PEÇA
1	Placa de circuito principal
2	Motor de acionamento do gerador de chamas
3	Montagem do aquecedor/soprador
4	Botões do painel de controlo
5	Placa de circuito do painel de controlo
6	Incrustado com troncos
7	Placa de circuito de efeito de chama
8	Gerador de chama / girador
9	Controlo remoto

Algumas peças e especificações estão sujeitas a alterações sem aviso prévio.



SOLUÇÃO DE PROBLEMAS

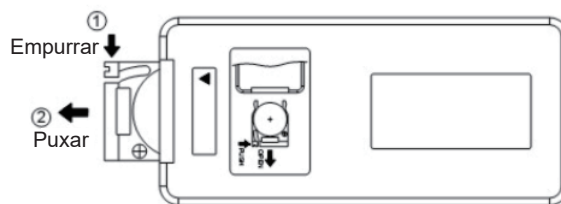
PROBLEMA	CAUSA POSSÍVEL E SOLUÇÃO SUGERIDA
O fogo não se acende.	<ol style="list-style-type: none">1.Certifique-se de que o interruptor principal está ligado.2.Verificar se a unidade de lareira está ligada a uma tomada padrão de 220-240V.3.Substituir o fusível na tomada.
Os troncos brilham mas o efeito da chama não funciona.	Verificar se o motor de rotação
A lareira/aquecedor não funciona, mas os interruptores/botões da ignição e da lareira/aquecedor estão na posição "ON".	Colocar todos os interruptores / botões na posição "OFF" e desligar a unidade da lareira da tomada de parede. Após 10 minutos, ligar novamente a unidade de lareira à tomada de parede e accioná-la normalmente.
O fogo é ruidoso.	<ol style="list-style-type: none">1. Faz um nível de ruído quando o efeito da chama é activado, isto é causado por um motor que ajuda a gerar o efeito. Este ruído será ouvido quando o ambiente estiver muito silencioso e não houver outro som.2. O motor do aquecedor produz um nível de ruído mais elevado; isto é causado pelo fluxo de ar necessário se a função de aquecimento tiver sido seleccionada.
O efeito da chama pode ser visto, mas a lareira/aquecedor não gera ar quente.	<ol style="list-style-type: none">1. Verificar se a temperatura definida é mais alta do que a temperatura ambiente.2.Ligar/desligar o botão do aquecedor várias vezes para ter a certeza de que está na posição "ON".
O controlo remoto não funciona.	<ol style="list-style-type: none">1.Premir repetidamente os botões demasiado depressa pode causar o mau funcionamento do transmissor do controlo remoto. Operar o controlo remoto a um ritmo medido e suave. Pressionar os botões do controlo remoto com uma força suave.2.Verificar ou substituir as pilhas do controlo remoto, se necessário.

SOLUÇÃO DE PROBLEMAS

SUBSTITUIÇÃO DA BATERIA

O fogo é fornecido com um controlo remoto IR multifuncional. Antes de operar o controlo remoto, a folha de isolamento de plástico deve ser removida. Requisitos de bateria: CR2025

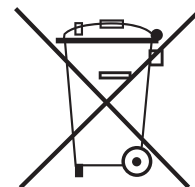
1. Encontrar e remover o suporte da bateria.
2. A bateria tem dois lados, um lado é em forma de botão e o outro lado é plano.
3. Inserir a bateria de modo a que o lado em forma de botão esteja virado para baixo no suporte da bateria, certificando-se de que a bateria está bem colocada no lugar.



As pilhas devem ser removidas do produto se não for para ser utilizado durante um longo período de tempo.

As pilhas podem conter substâncias perigosas que põem em perigo o ambiente e a saúde humana. Este símbolo marcado na embalagem da pilha e/ou produto indica que as pilhas usadas não devem ser eliminadas juntamente com os resíduos municipais. Em vez disso, devem ser levados para o ponto de recolha apropriado para reciclagem.

Ao eliminar correctamente as pilhas usadas, é possível evitar possíveis consequências negativas para o ambiente e a saúde humana. A reciclagem de materiais usados também protege os nossos recursos naturais. Para mais informações sobre recolha e reciclagem de pilhas usadas, por favor contacte o seu município local, o seu serviço de eliminação de resíduos ou a loja onde adquiriu o produto.



SISTEMA DE CORTE DE SEGURANÇA

NOTA: O ecrã de LED permanecerá operacional se o recorte for activado, apenas os elementos de aquecimento do ventilador são impedidos de funcionar..

Este produto tem um dispositivo automático de protecção contra sobreaquecimento não reinicializável (corte térmico), que será activado se as entradas ou saídas de ar estiverem obstruídas de qualquer forma. Por razões de segurança, NÃO poderá recomeçar automaticamente, devendo ser seguido o seguinte procedimento a fim de se poder ligar o aparelho.

NOTA: O efeito visual permanecerá operacional se o recorte for activado, apenas o aquecedor do ventilador é impedido de funcionar.

Desligar o aparelho da tomada. Deixar o incêndio no estado OFF durante pelo menos 10 minutos, certificando-se de remover todas as obstruções. Depois ligar o aparelho na tomada. Certifique-se de que os interruptores de controlo do aparelho estão ligados. Se o Fogo não funcionar correctamente, repetir o procedimento acima descrito. Se tentar ligar o aparelho antes de ter reiniciado o corte de segurança, o aparelho pode ser desligado por um período de tempo mais longo. Se a ordem das suas operações estiver correcta, mas o aparelho ainda falhar, verifique o fusível na tomada. Se esta também não for a causa, contactar um electricista profissional ou um engenheiro de serviços.

LIMPEZA E MANUTENÇÃO

DESLIGUE O APARELHO DA CORRENTE ANTES DE QUALQUER LIMPEZA OU MANUTENÇÃO!

Para limpeza geral, usar um espanador macio e limpo; nunca usar produtos de limpeza duros ou abrasivos. Deve limpar cuidadosamente o ecrã de vidro com um pano macio.

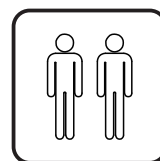
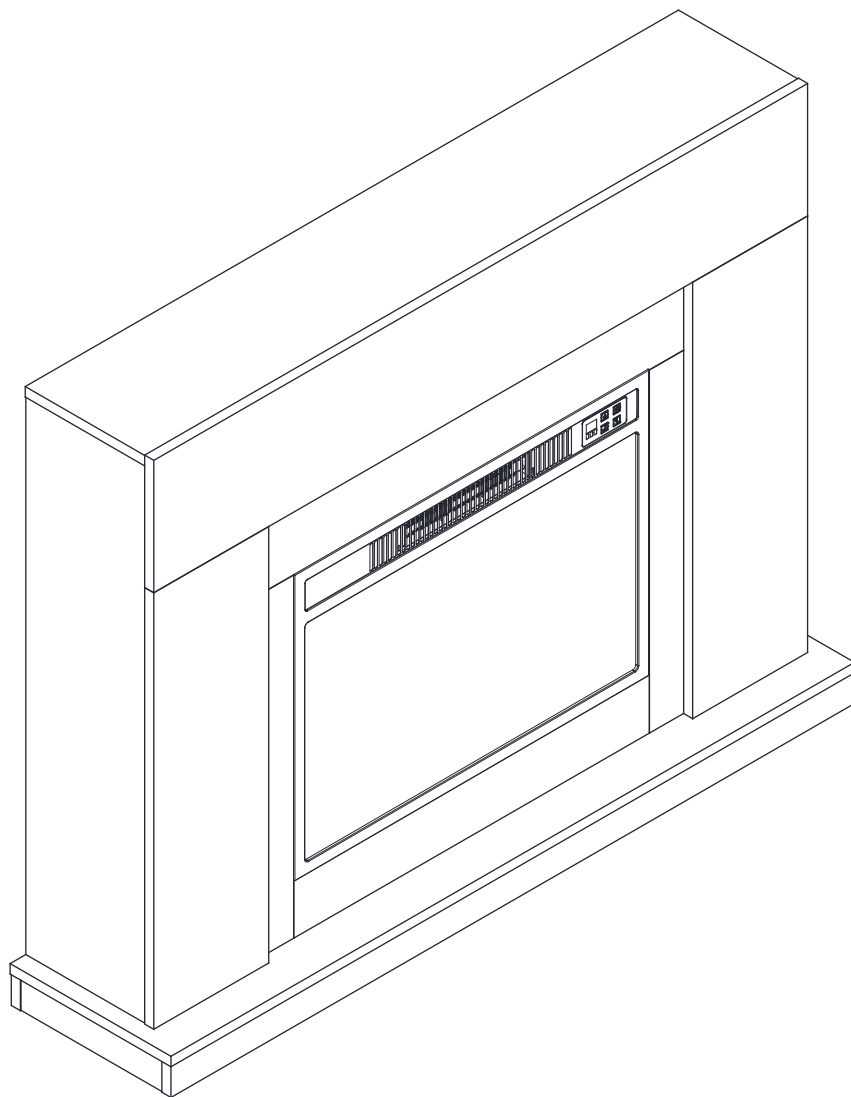
Em caso de dúvida, contactar um electricista qualificado.

Com excepção dos fusíveis, utilizar apenas peças sobressalentes originais fornecidas pelos fabricantes que estejam disponíveis no seu fornecedor.

Substituição da bateria do controlo remoto:

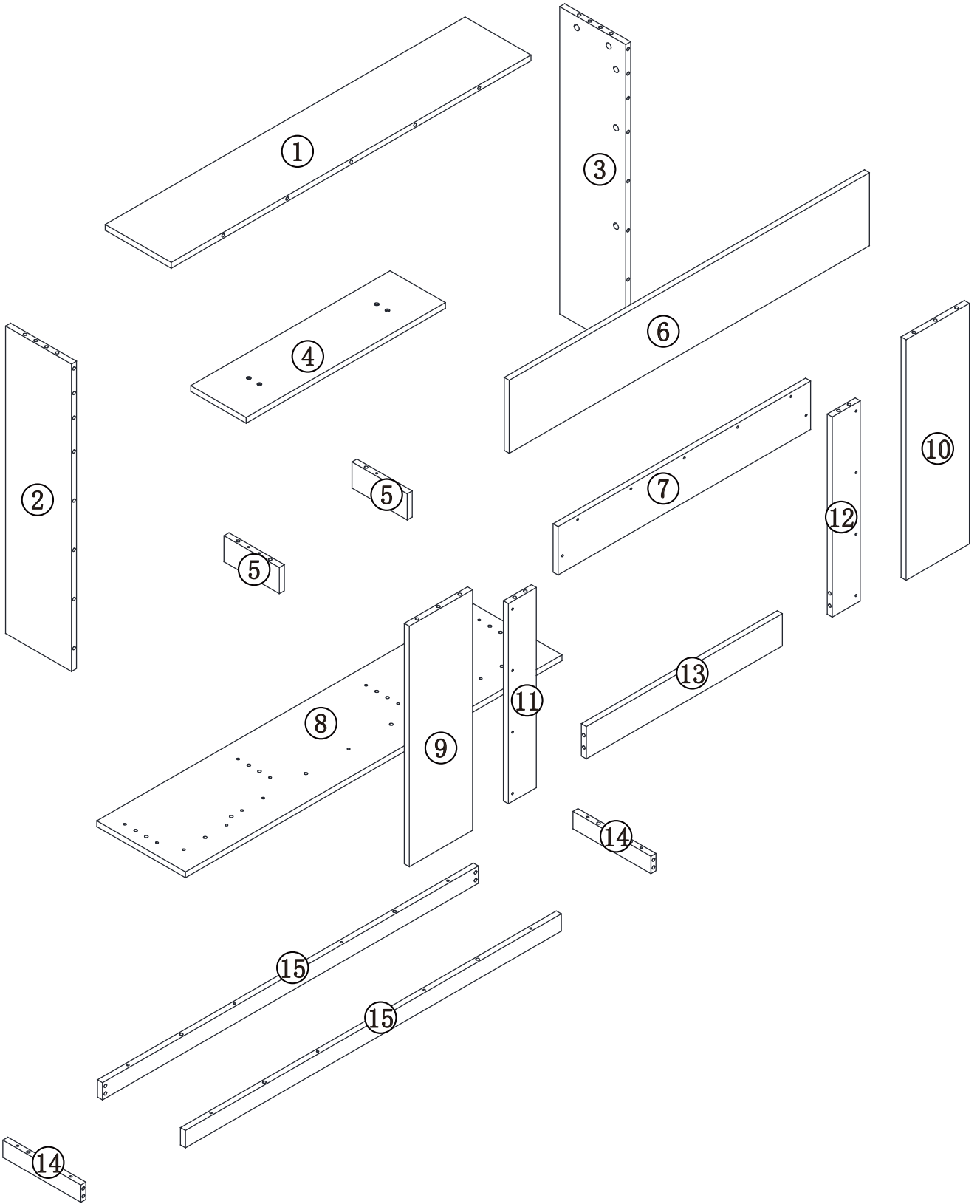
Quando a bateria ficar sem energia, o alcance de utilização do controlo remoto será encurtado. Substituir a bateria por uma nova bateria de lítio CR2025.

NOTA: Manter a bateria de lítio afastada das crianças.




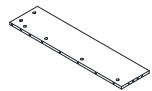
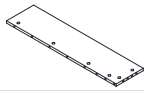
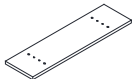
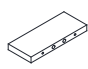

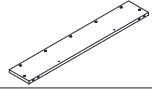


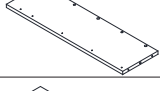

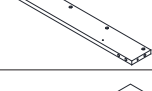


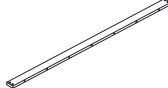
IMPORTANT, RETAIN FOR FUTURE REFERENCE: READ CAREFULLY


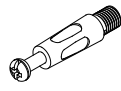


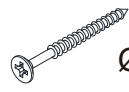


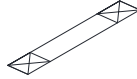
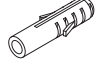

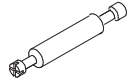
ASSEMBLY INSTRUCTION



PACKING DETAILS : TOTAL 2 BOX

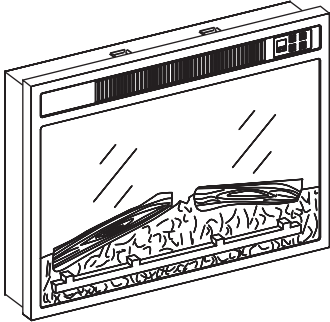
BOX 1/2:

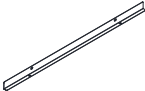
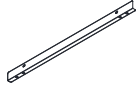


PARTNO.	PARTS	QTY
1		x1
2		x1
3		x1
4		x1
5		x2
6		x1
7		x1
8		x1
9		x1
10		x1
11		x1
12		x1
13		x1
14		x2
15		x2

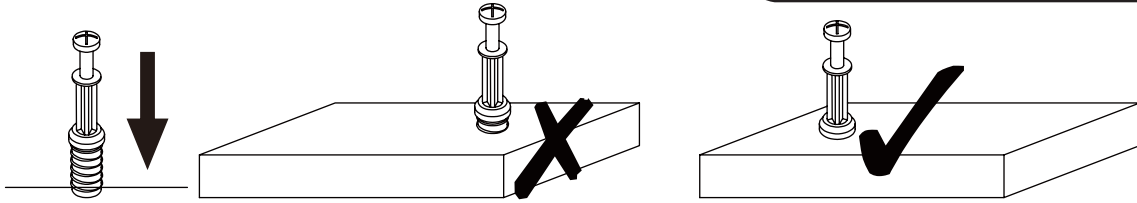
PARTNO.	PARTS	QTY	SPARE
A	 Ø7.8×30mm	x62	1
B		x15	
C		x19	
D	 Ø4×12mm	x2	1
E	 Ø5×50mm	x21	1
F	 Ø4×24mm	x15	1
G	 Ø4×35mm	x14	1
H		x2	
I		x2	
J		x4	1
K		x2	

PACKING DETAILS : TOTAL 2 BOX

BOX 2/2:

PARTS	QTY
	x1

PARTNO.	PARTS	QTY	SPARE
AA		x1	
BB		x2	
CC	 Ø4×10mm	x6	2
DD	 Ø4×6mm	x6	2



EN_QUICKFIT: Tighten quickfit until shoulder is flush with panel. Do not overtighten or undertighten.

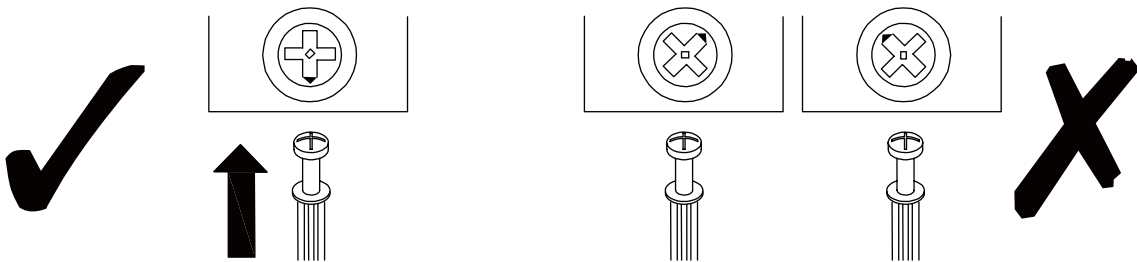
FR_RACCORD RAPIDE: Faites serrer le raccord rapide jusqu'à ce que l'épaulement soit parfaitement encastré dans le panneau. Il ne faut ni trop serrer ni insuffisamment serrer.

ES_QUICKFIT: Apriete quickfit hasta que el hombro se descargue con el panel. NO lo sobreapriete ni lo apriete poco.

DE_QUICKFIT: Ziehen Sie den Quickfit fest, bis die Schulter mit der Platte bündig ist. Bitte nicht zu fest oder zu schwach anziehen.

IT_MONTAGGIO RAPIDO: Stringere il montaggio rapido fino a quando la spalla è a filo con il pannello, non stringere troppo o troppo poco.

PT_AJUSTE RÁPIDO: Aperte firmemente até que o parafuso esteja firmemente no painel. Não aperte demasiado.



EN_CAM LOCK: When fitting cam lock, ensure starting position is correct before you insert connecting quickfit.

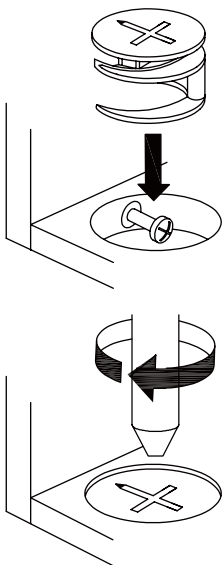
FR_SERRURE BATTEUSE: Avant d'insérer la serrure batteuse, veillez à la bonne orientation avant d'insérer le raccord rapide.

ES_CIERRE DE LA CÁMARA: Cuando instale el cierre de la cámara, asegúrese de que la posición de inicio es correcta antes de que inserte el quickfit conector.

DE_CAM-LOCK: Achten Sie bei der Montage des Cam-Locks auf die richtige Ausgangsposition, bevor Sie den Quickfit einsetzen.

IT_BLOCCAGGIO A CAMMA: Quando si monta il bloccaggio a camma, assicurarsi che la posizione iniziale sia corretta prima di inserire il montaggio rapido di collegamento.

PT_BLOQUEIO: Ao montar o bloqueio, assegure-se de que a posição inicial está correcta antes de inserir a ligação rápida.



EN_Quickfit head should be in the centre of the cam lock when the two panels are joined.

Cam lock should be inserted before quickfit.

FR_ Lorsque les deux panneaux sont assemblés, la tête du raccord rapide doit reposer au centre de la serrure batteuse.

Il faut insérer la serrure batteuse avant le raccord rapide.

ES_ El cabezal del quickfit debe estar en el centro del cierre de la cámara cuando se unan los dos paneles.

Se debe insertar el cierre de la cámara antes que el quickfit.

DE_ Der Quickfit-Kopf sollte sich in der Mitte des Cam-Locks befinden, wenn die beiden Platten zusammengefügt sind.

Der Cam-Lock sollte vor dem Quickfit eingesetzt werden.

IT_ La testa del montaggio rapido deve trovarsi al centro del bloccaggio a camma quando i due pannelli sono uniti.

Il Bloccaggio a Camma deve essere inserito prima del montaggio rapido.

PT_ O cabeçal deve estar no centro da fechadura quando os dois painéis estiverem unidos.

EN_ Turn cam lock clockwise to tighten.

FR_ Faites tourner la serrure batteuse dans le sens des aiguilles d'une montre pour la resserrer.

ES_ Gire el cierre de la cámara en sentido horario para apretarlo.

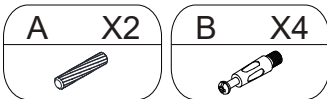
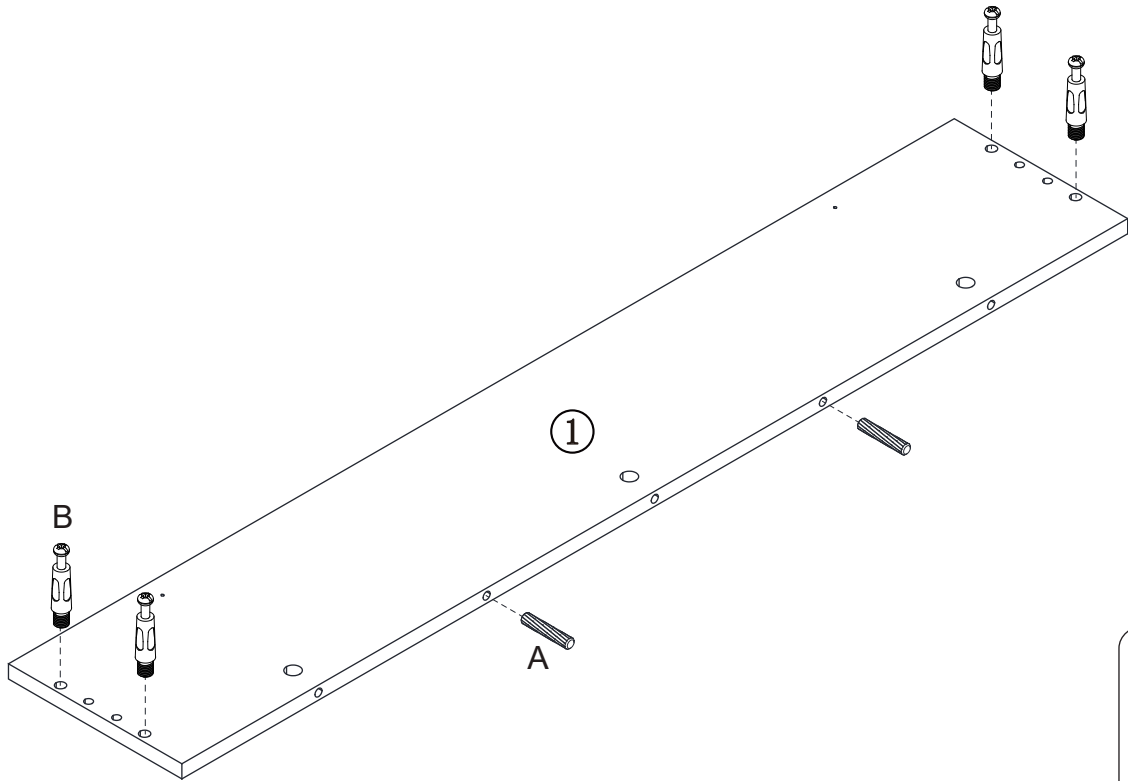
DE_ Drehen Sie den Cam-Lock im Uhrzeigersinn, um ihn festzuziehen.

IT_ Ruotare il bloccaggio a camma in senso orario per stringere.

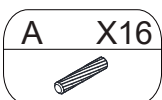
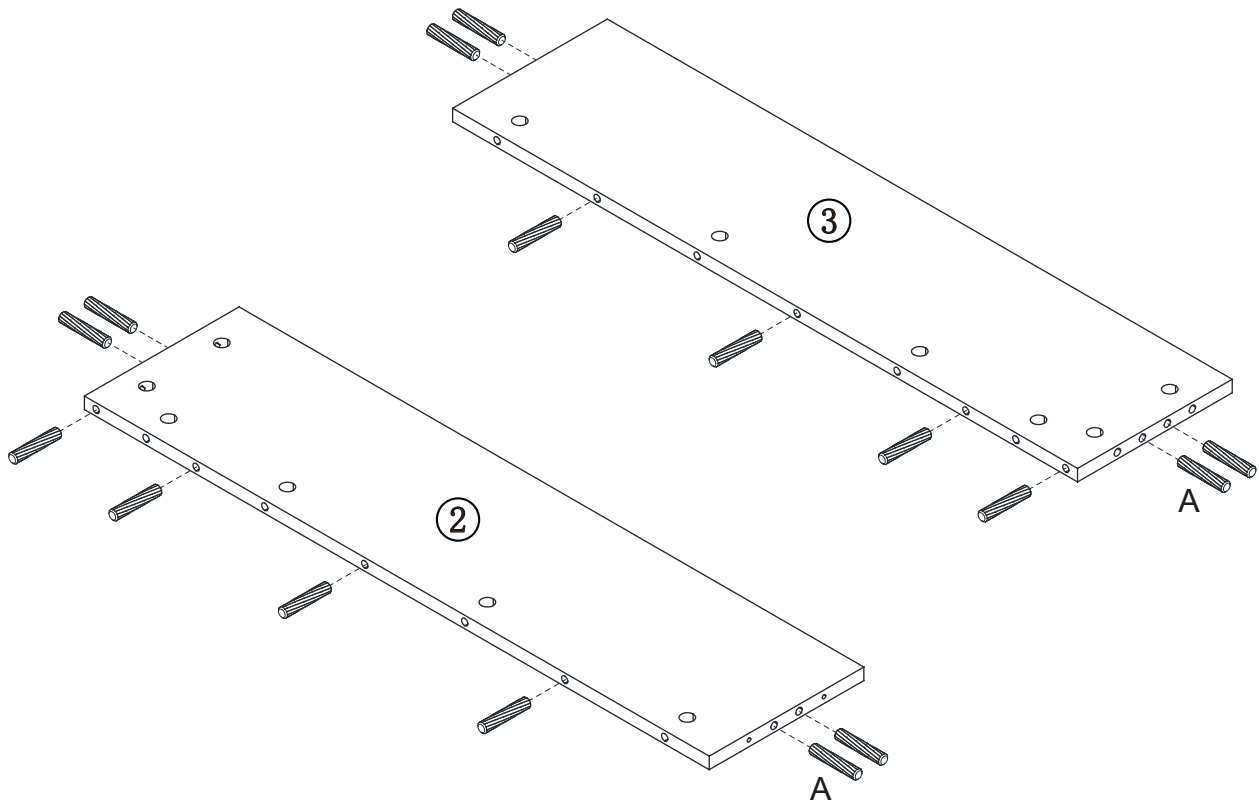
PT_ Girar o bloqueador no sentido dos ponteiros do relógio para apertar

Assembly Instructions

1

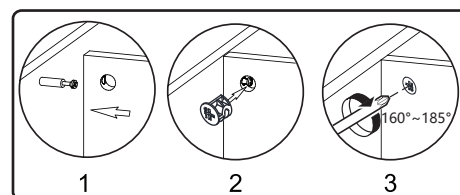
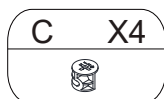
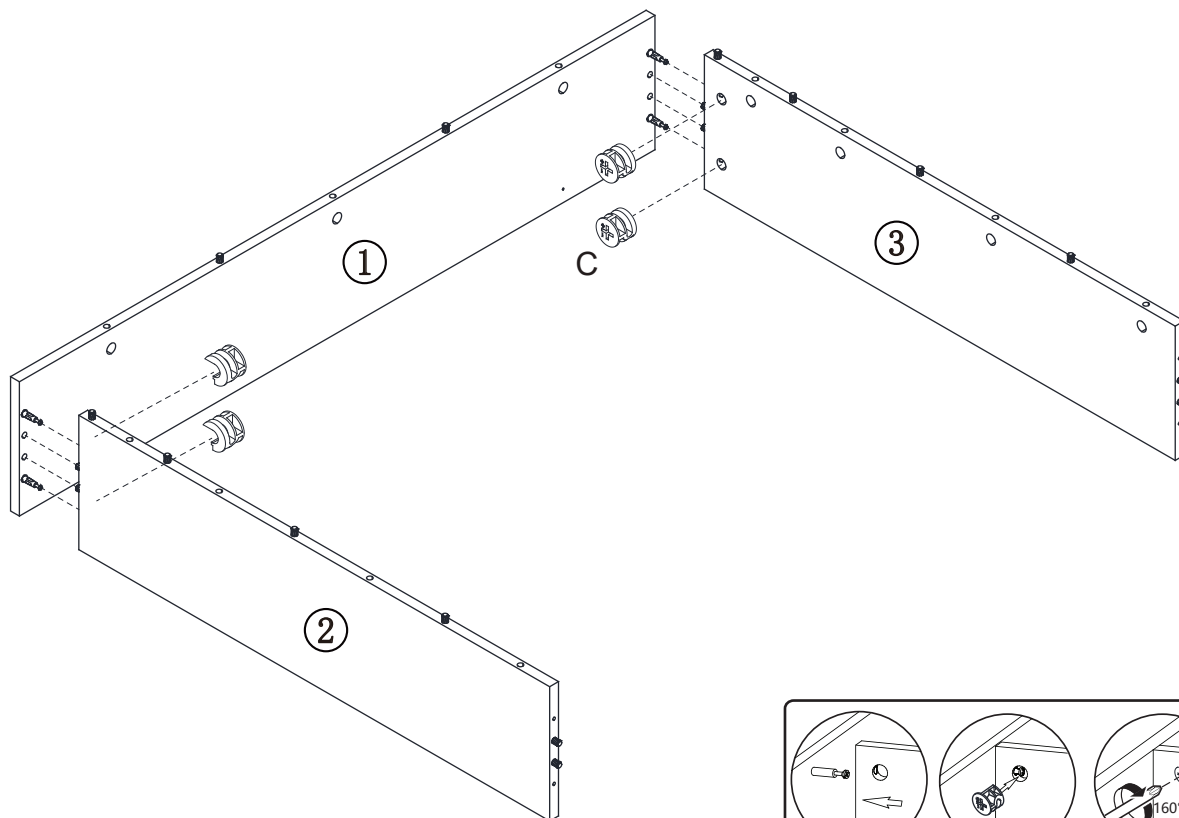


2

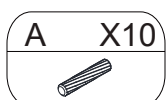
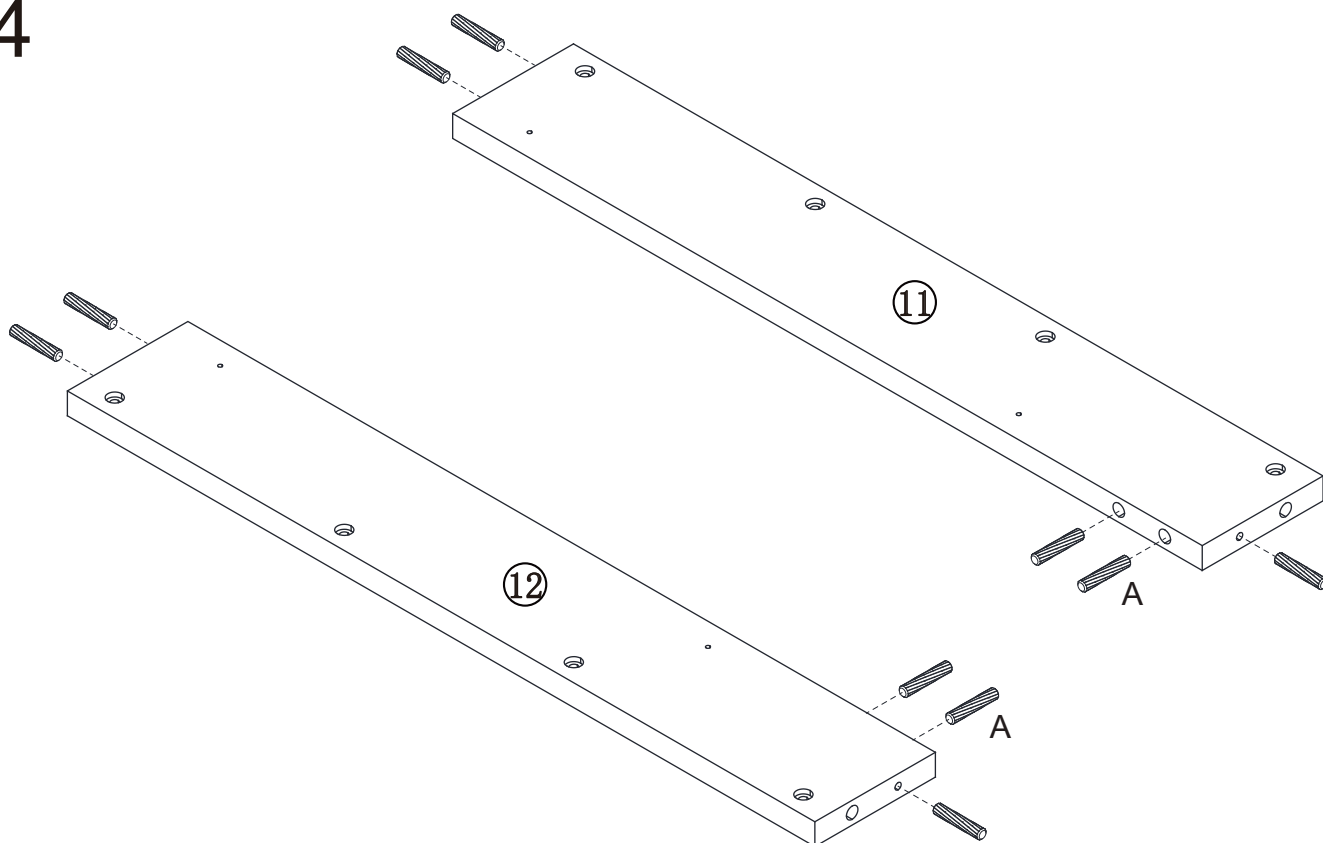


Assembly Instructions

3

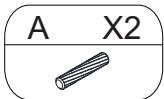
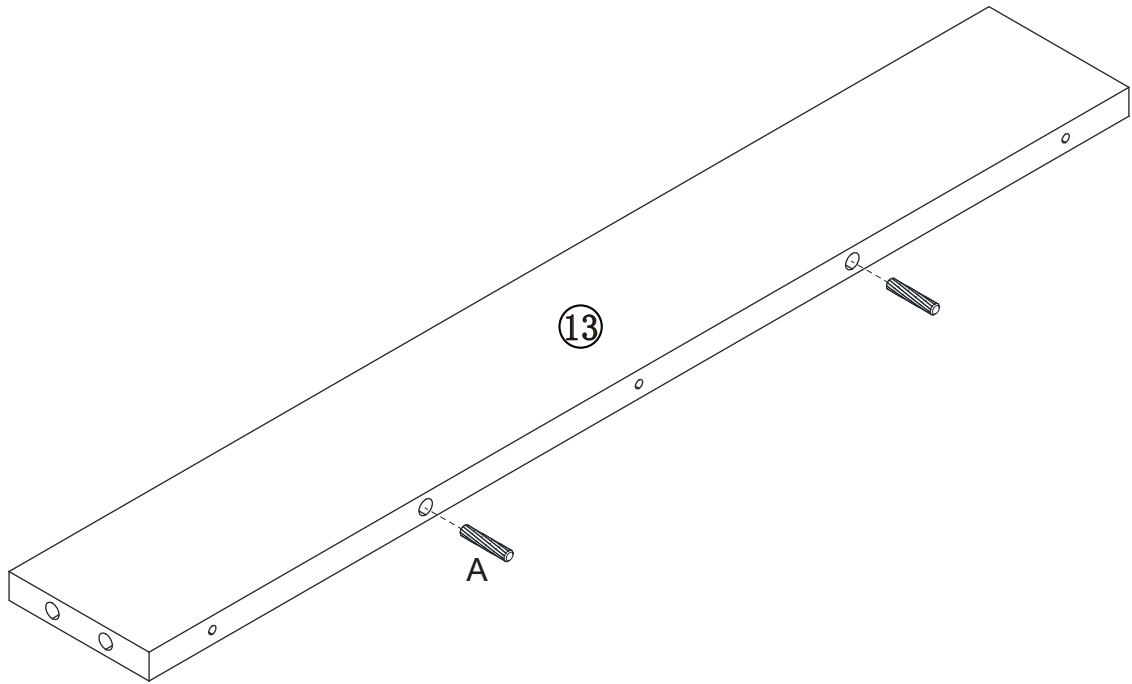


4

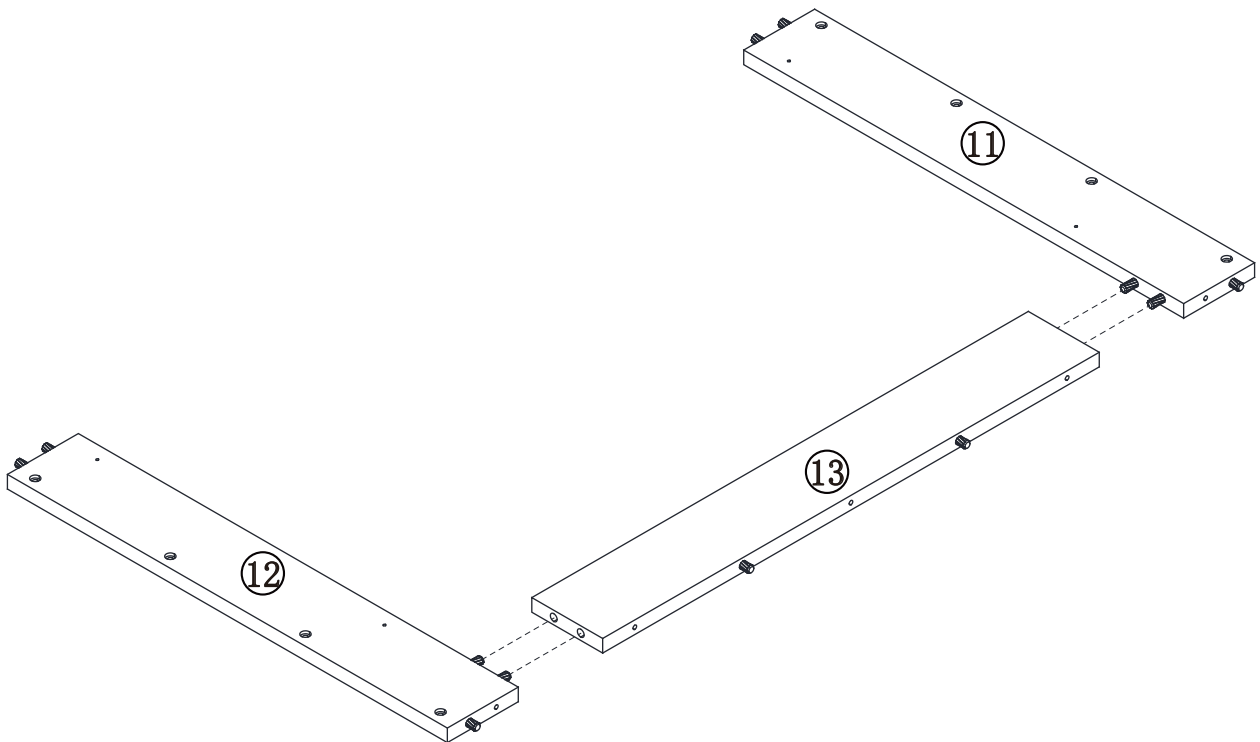


Assembly Instructions

5

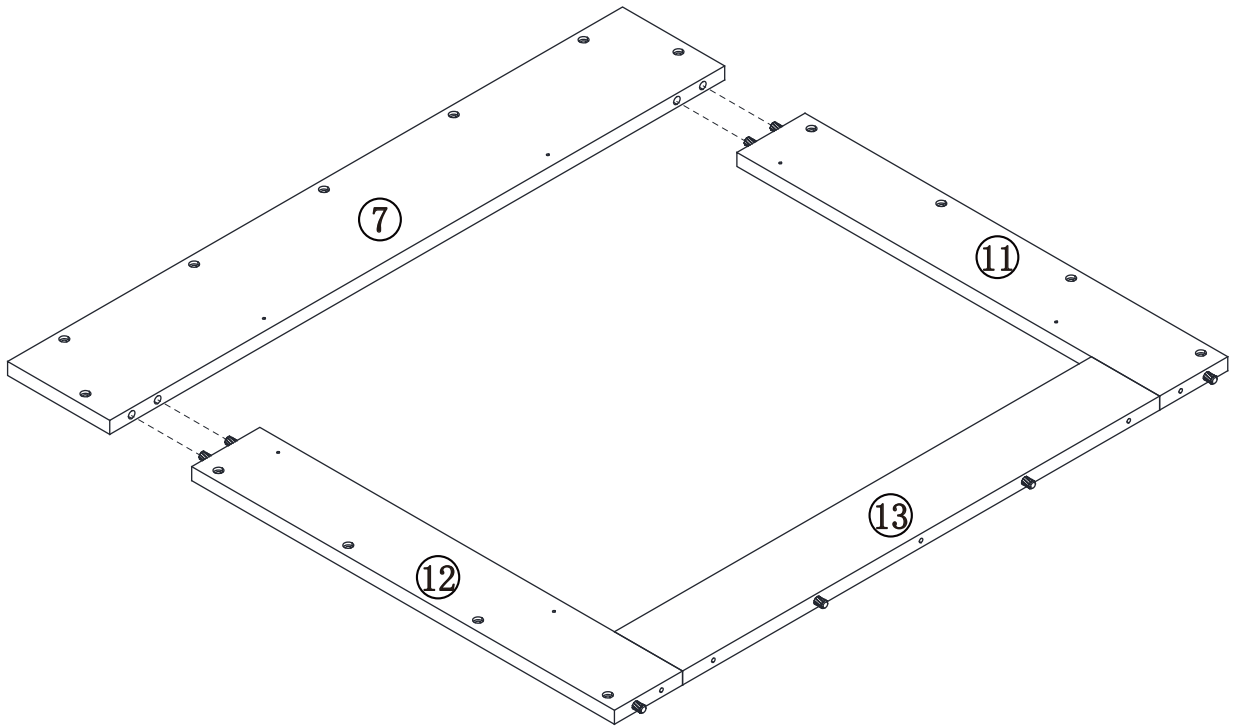


6

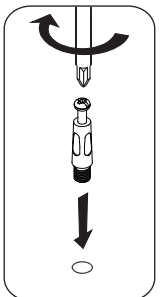
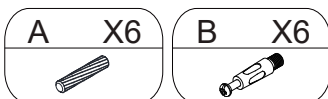
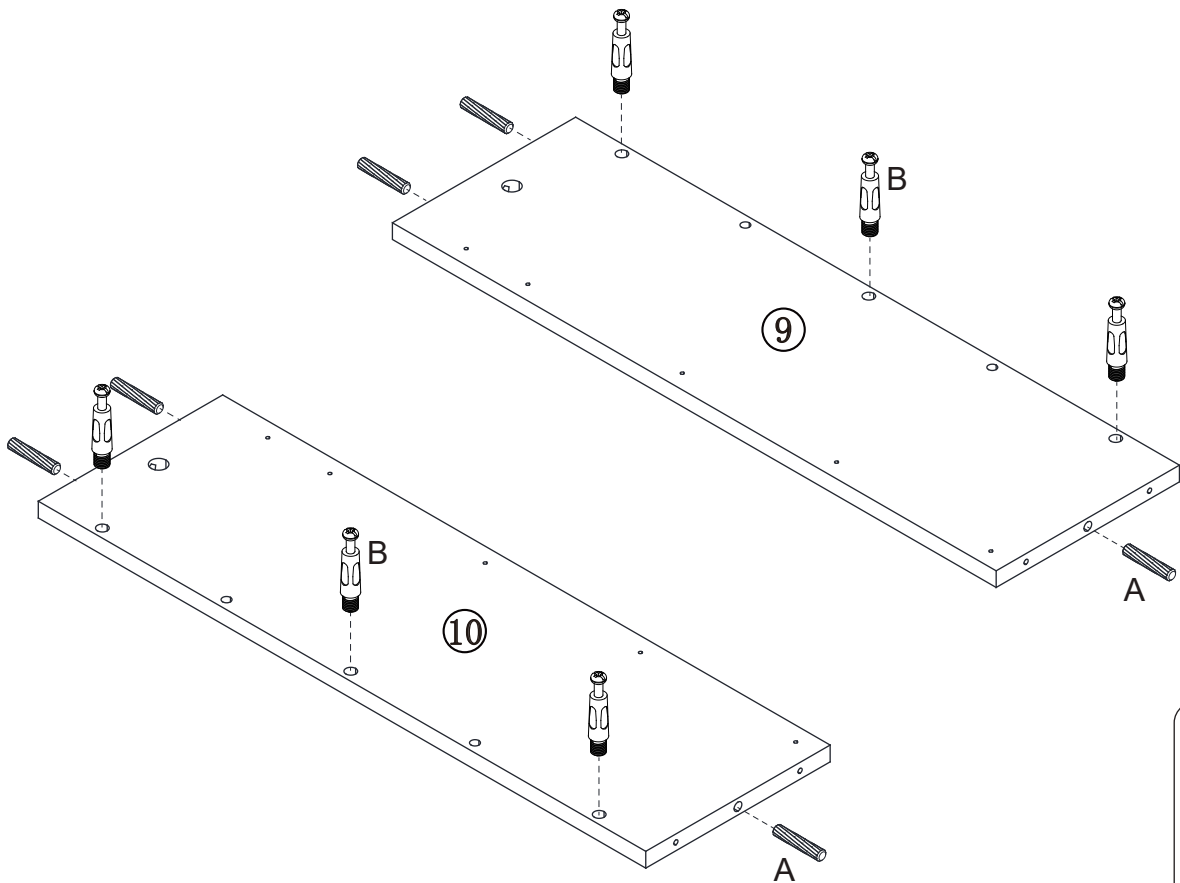


Assembly Instructions

7

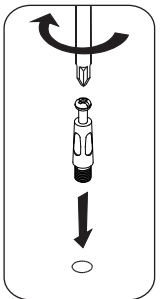
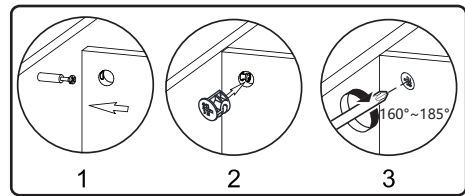
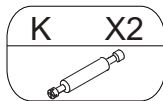
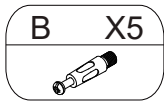
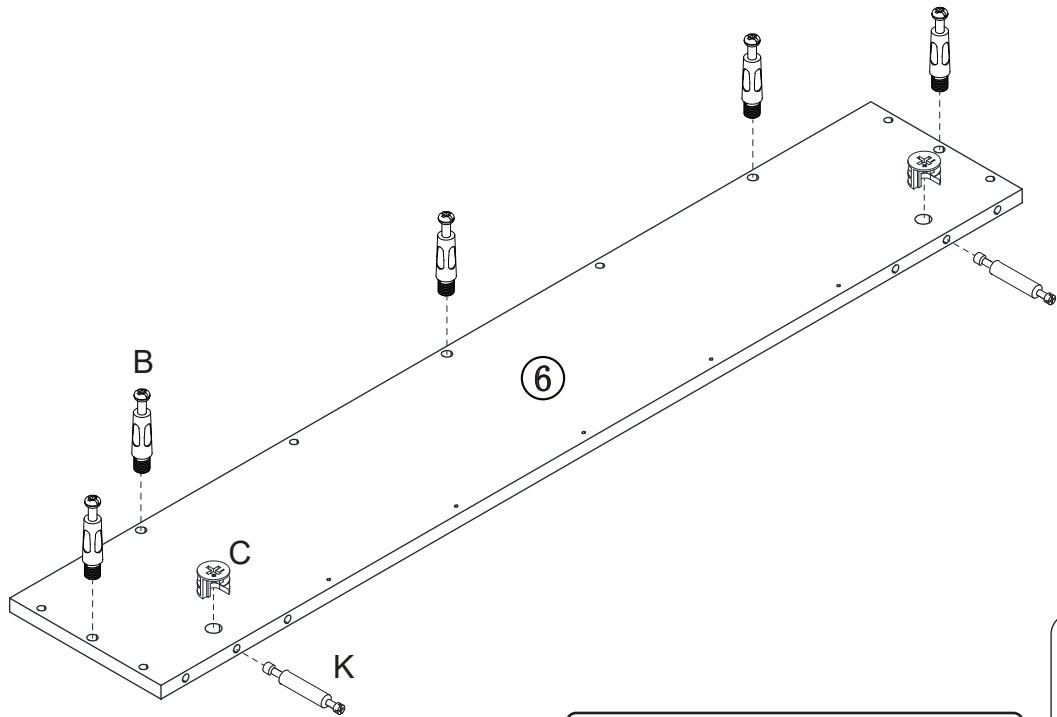


8

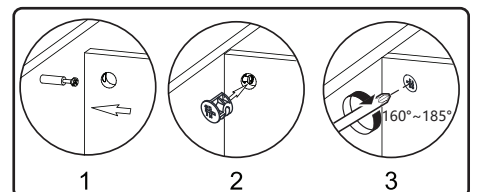
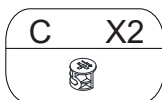
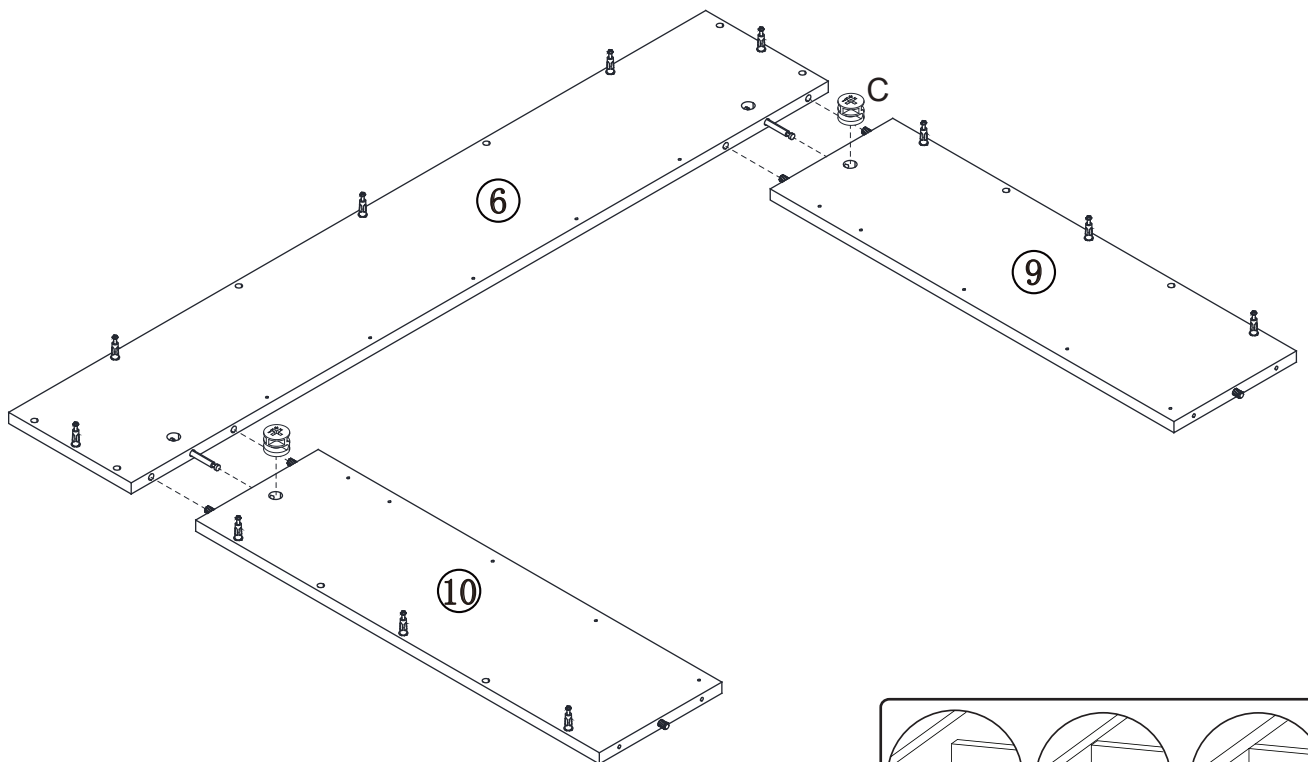


Assembly Instructions

9

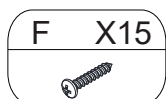
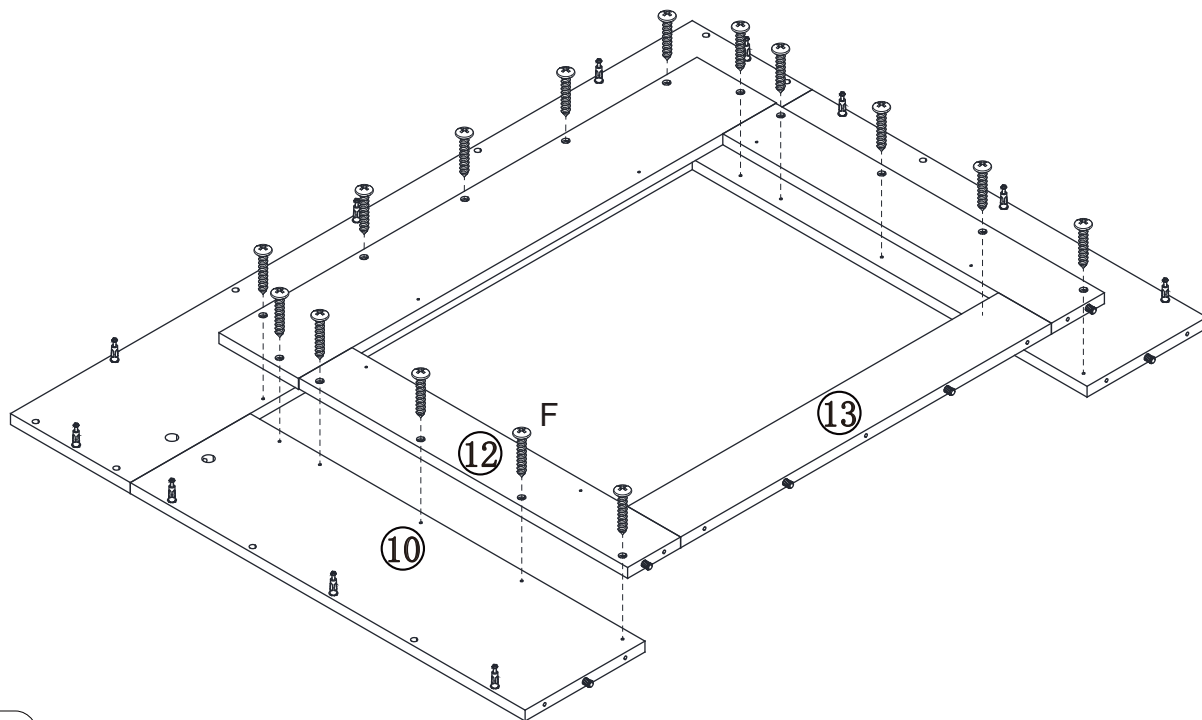


10

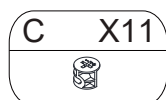
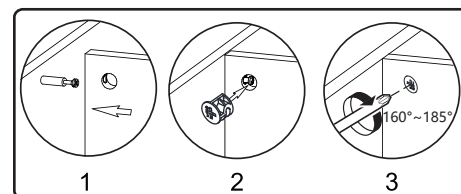
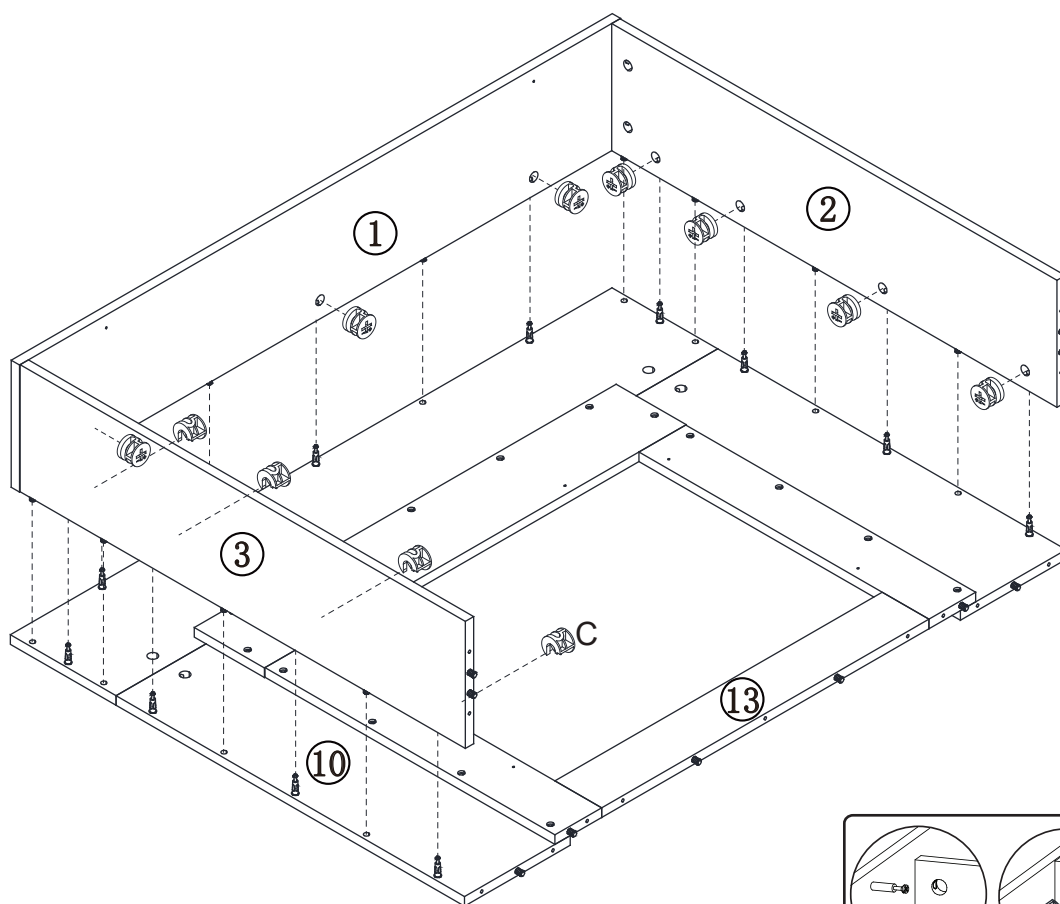


Assembly Instructions

11

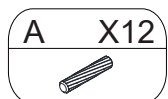
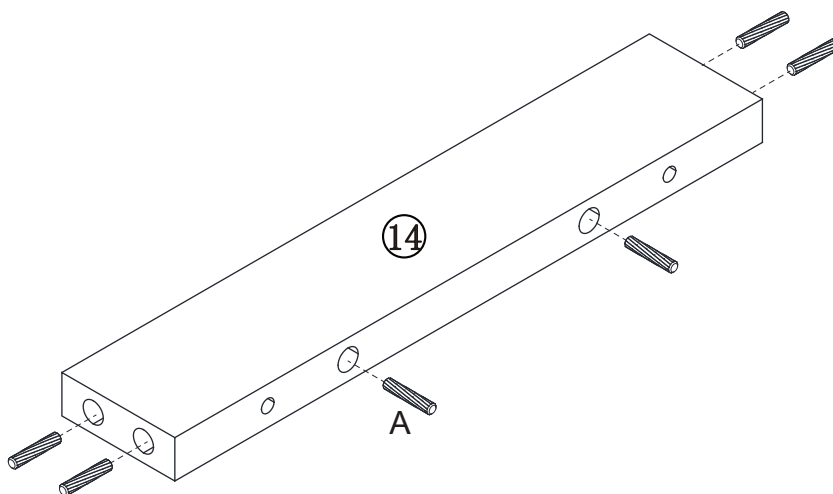


12

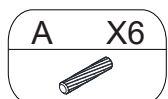
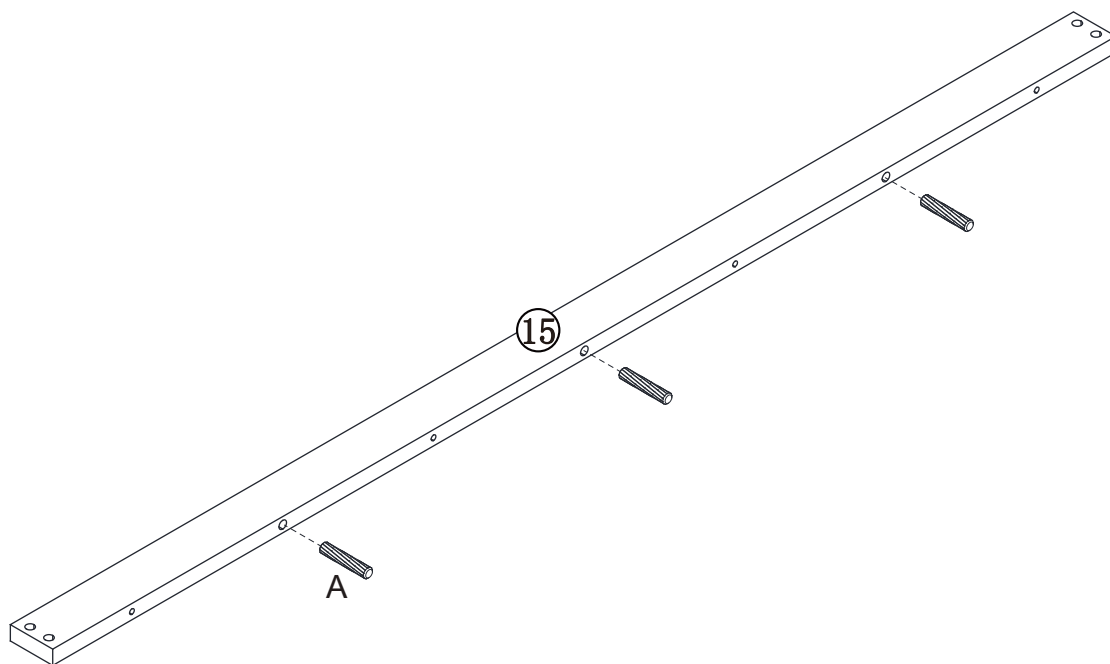


Assembly Instructions

13 x2

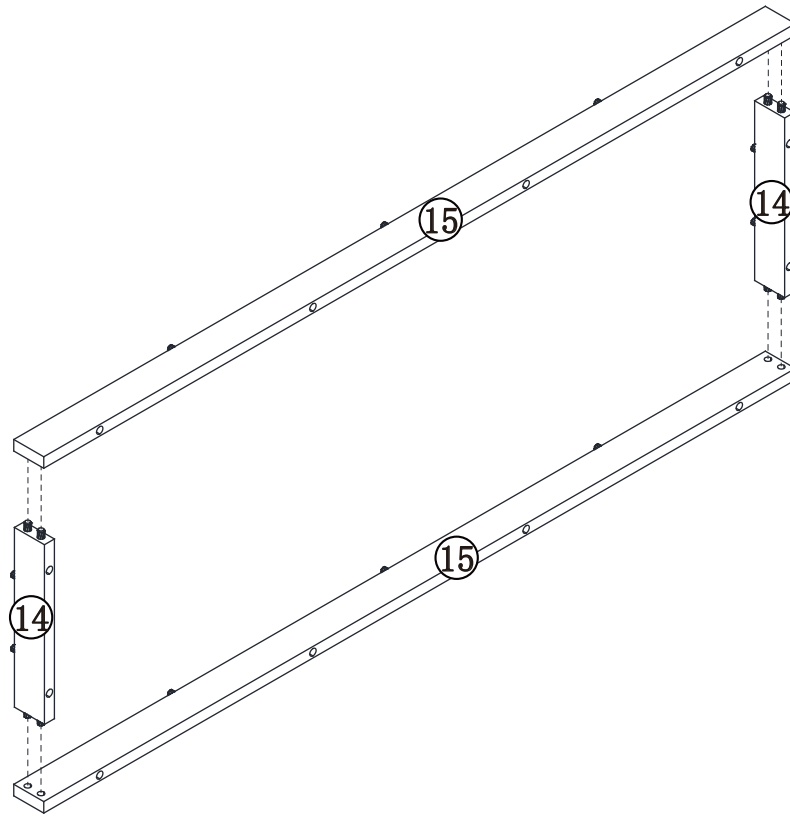


14 x2

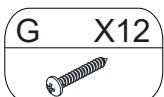
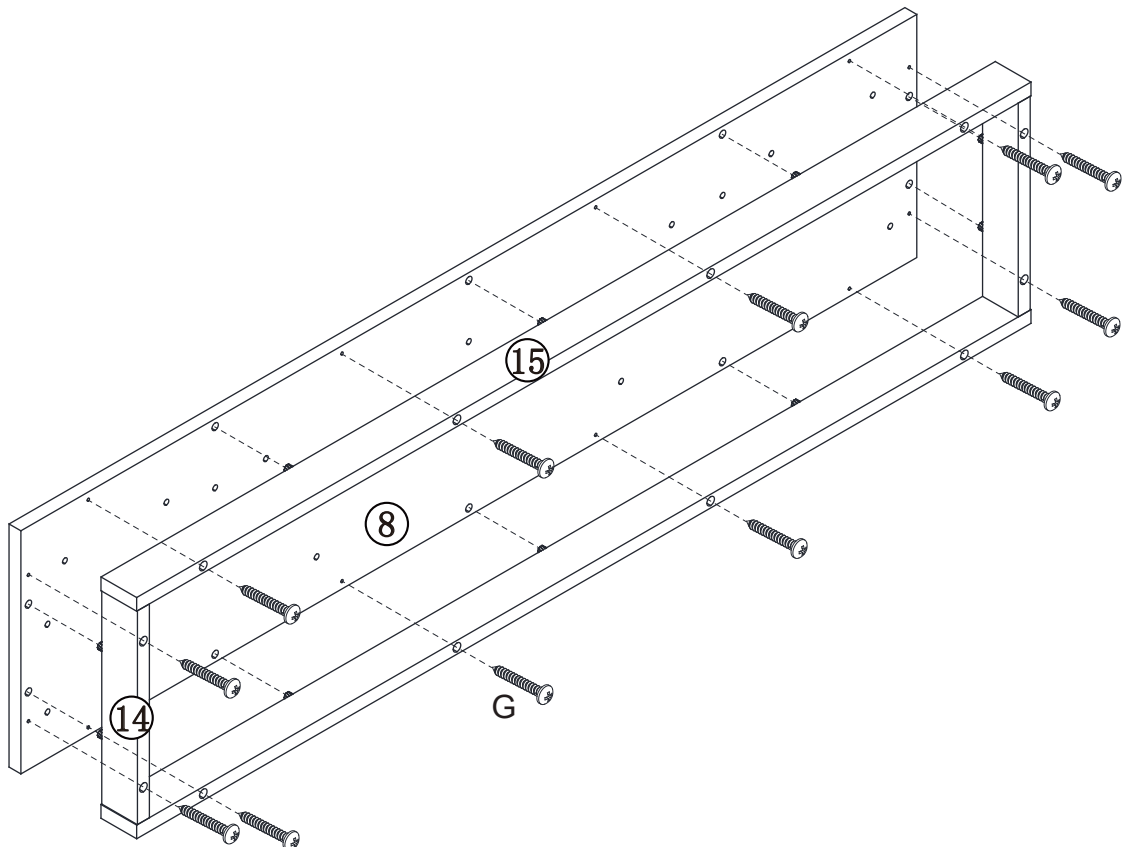


Assembly Instructions

15

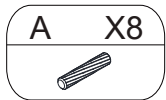
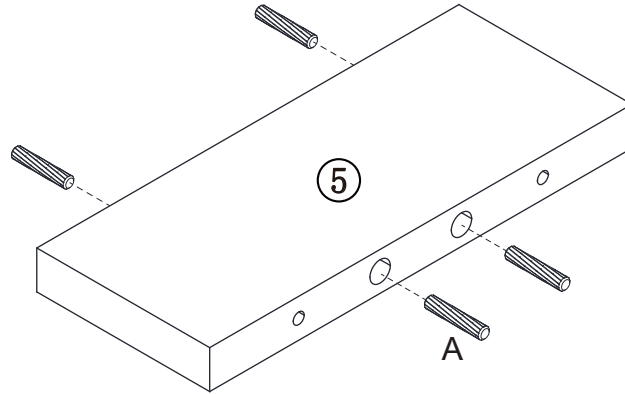


16

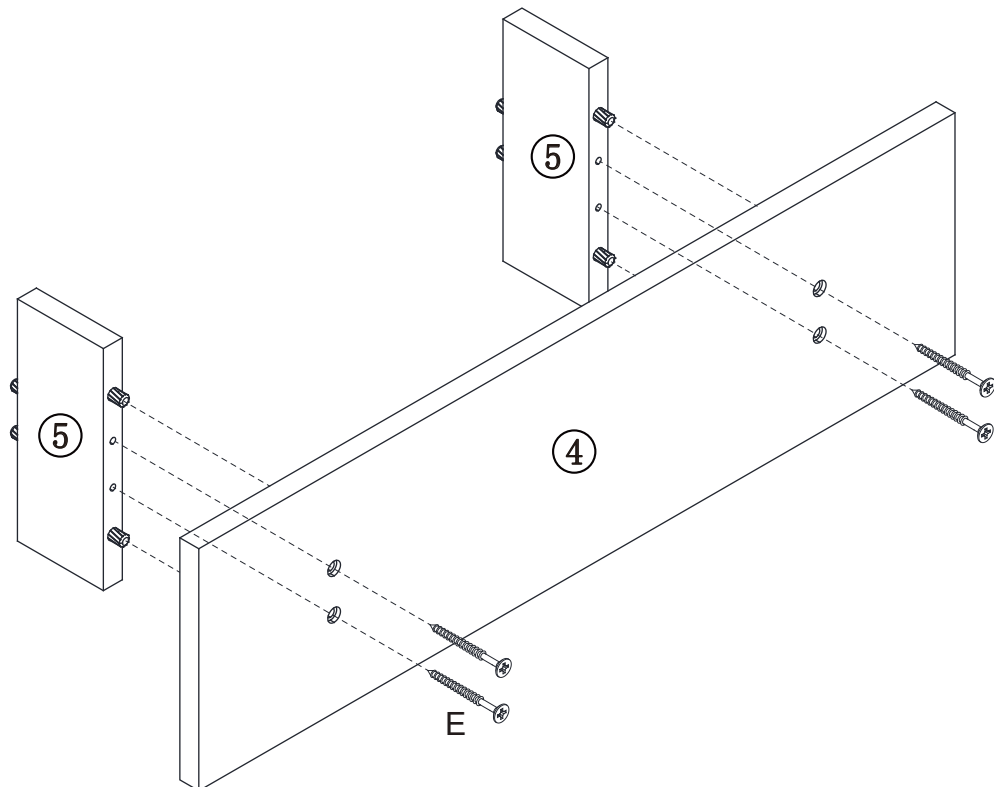


Assembly Instructions

17 x2

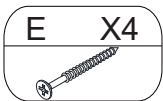
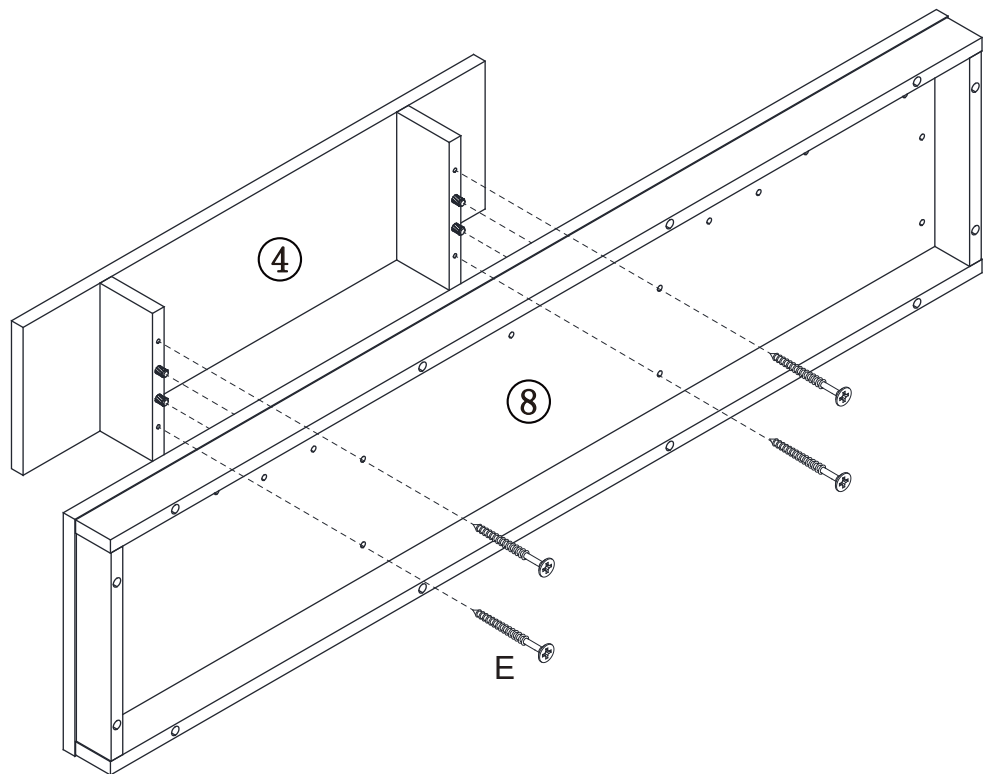


18

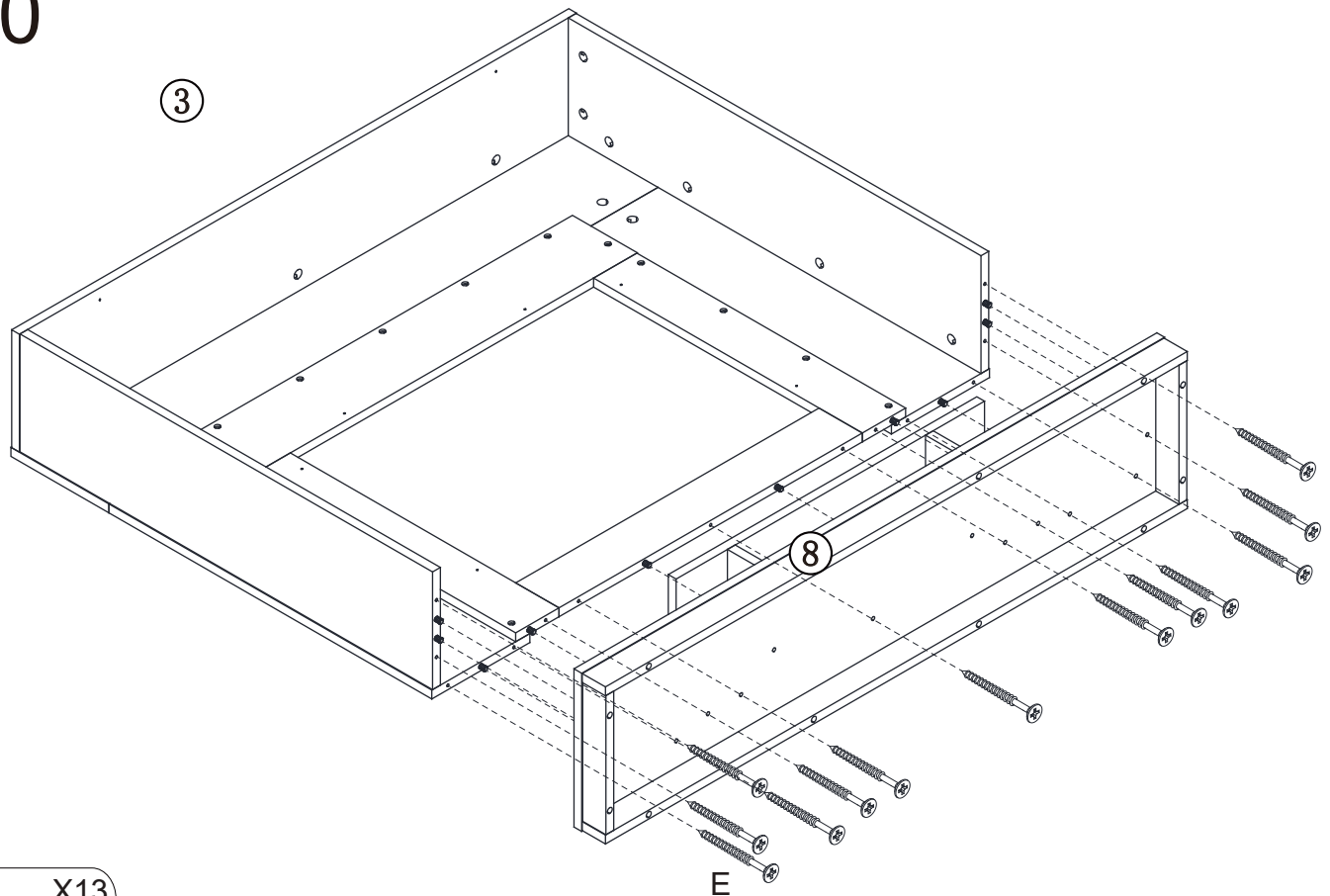


Assembly Instructions

19

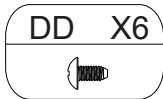
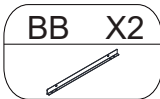
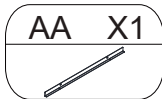
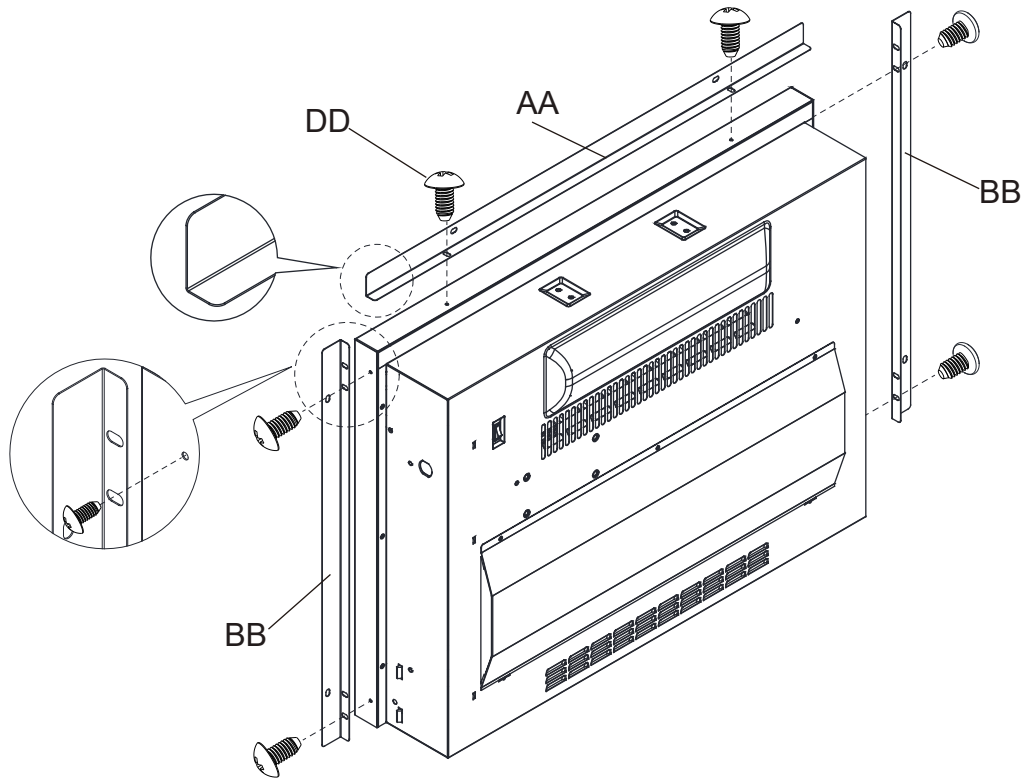


20

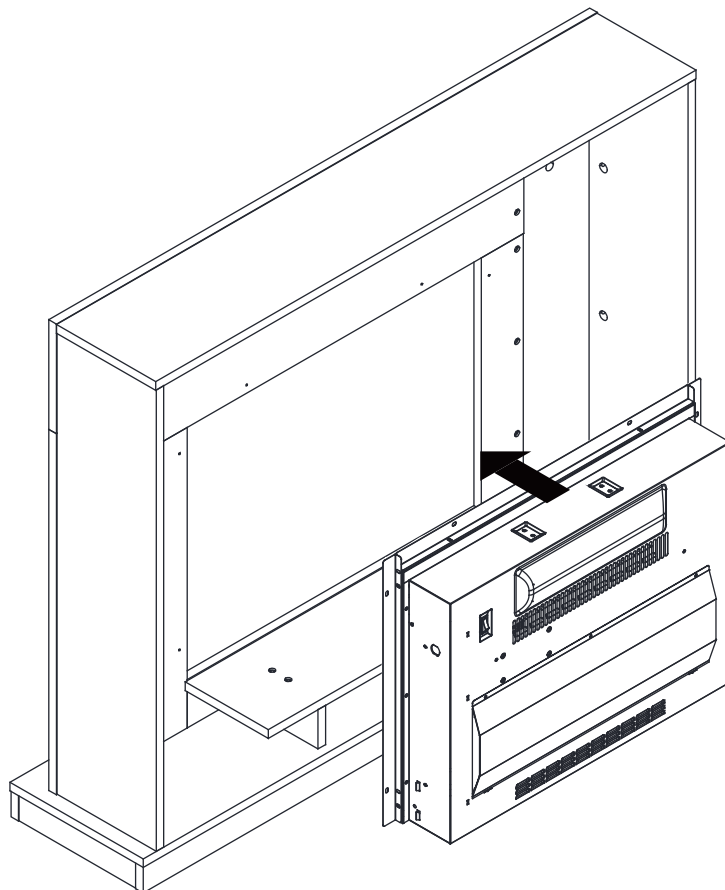


Assembly Instructions

21

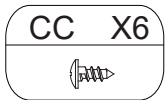
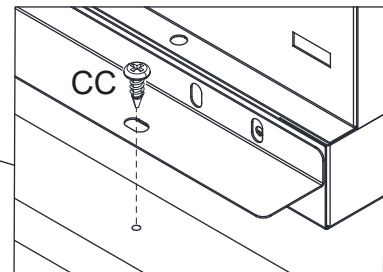
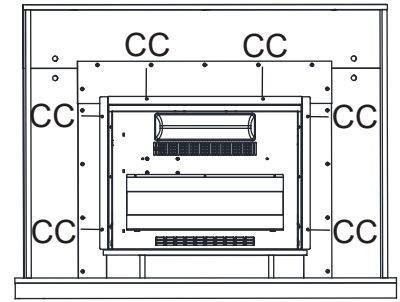
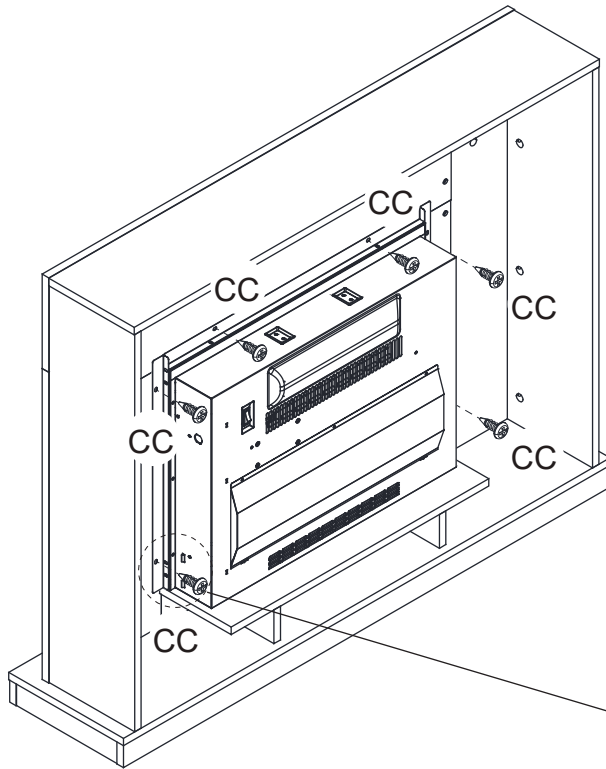


22

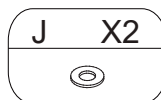
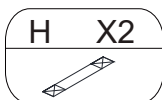
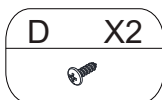
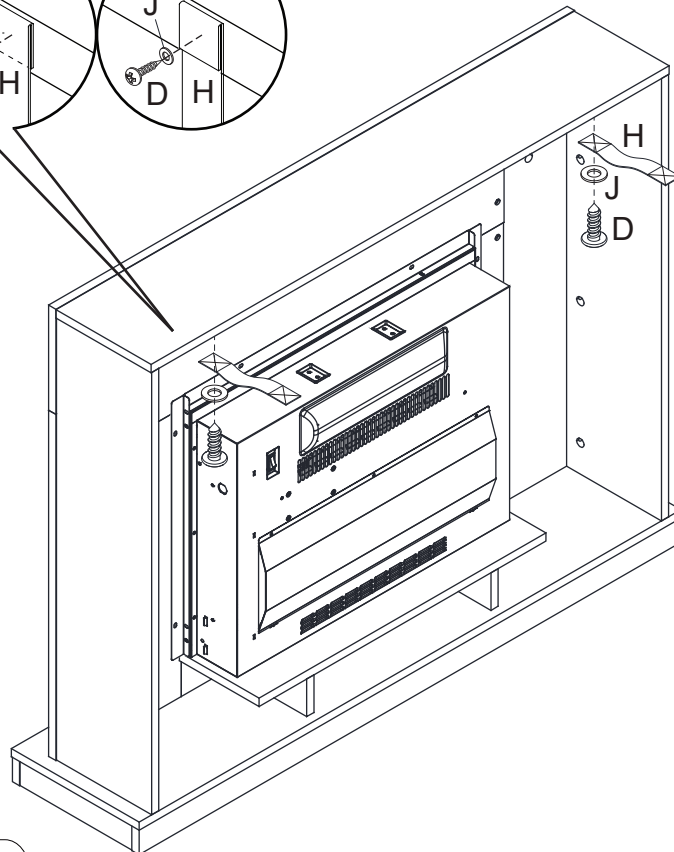
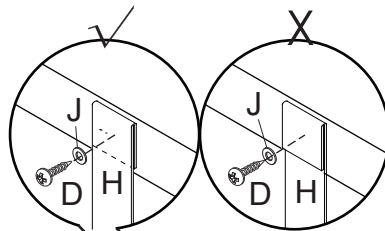


Assembly Instructions

23

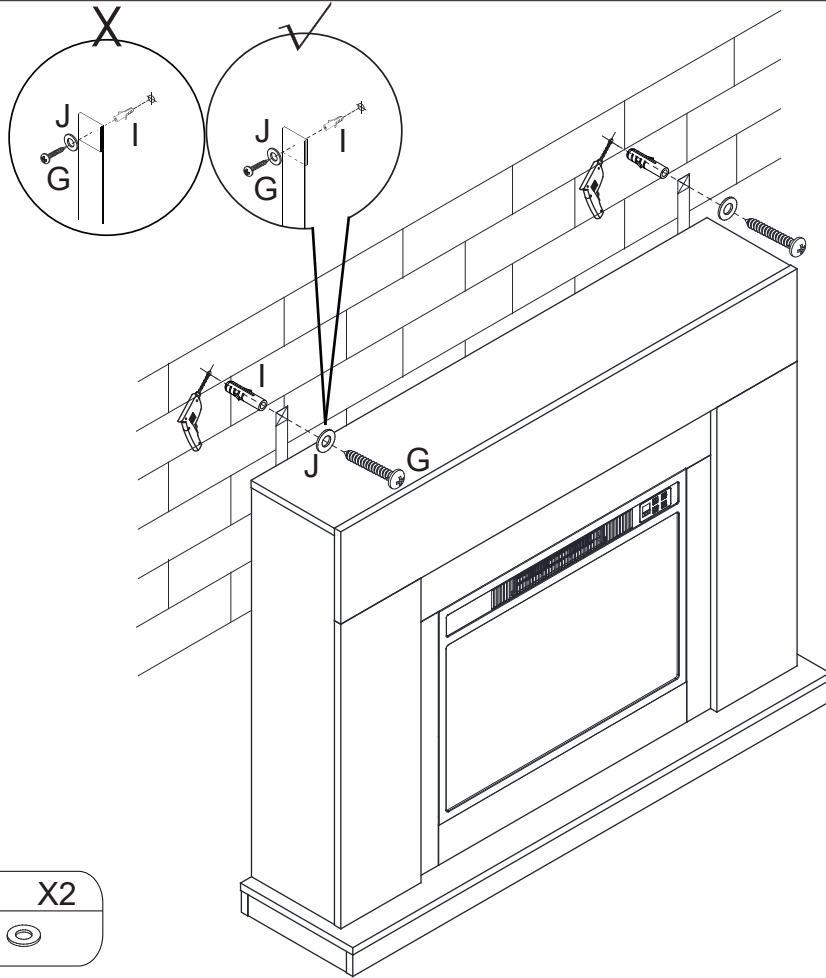


24

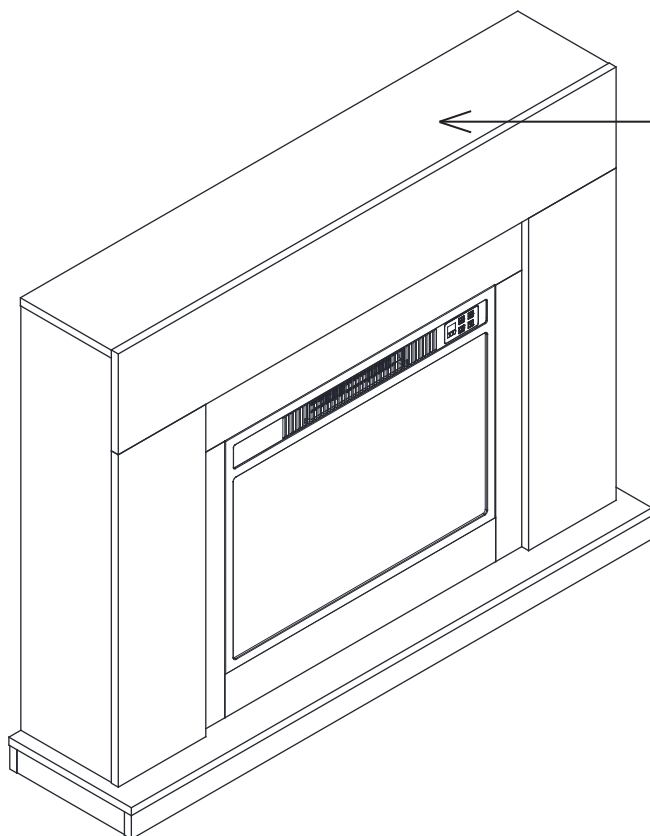


Assembly Instructions

25



26



MAXIMUM LOAD 33.1 lbs (15 kg)
PESO MÁXIMO 15 kg