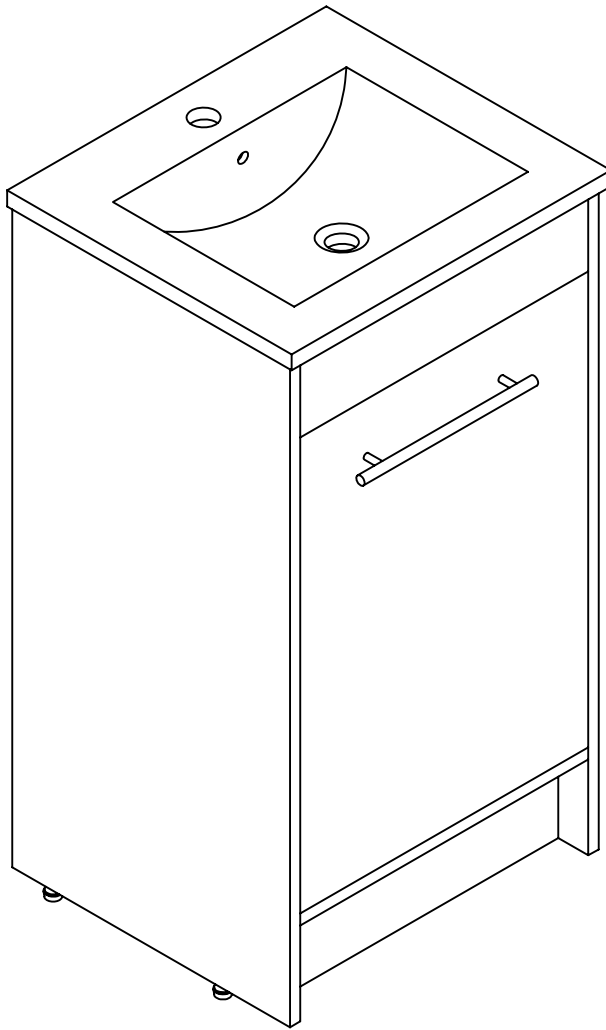
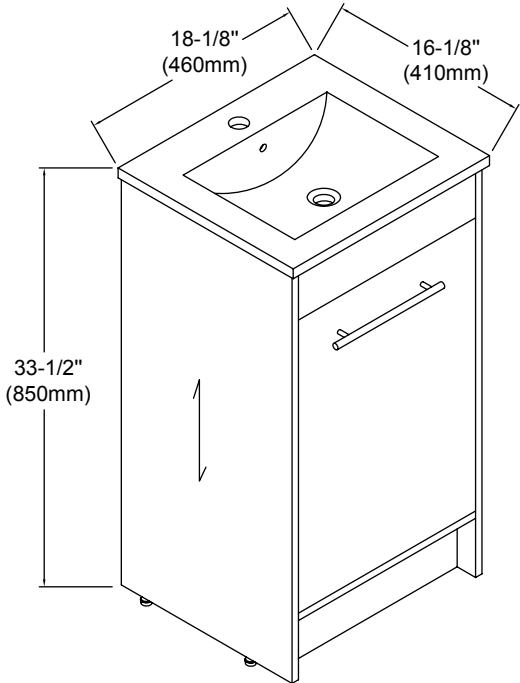
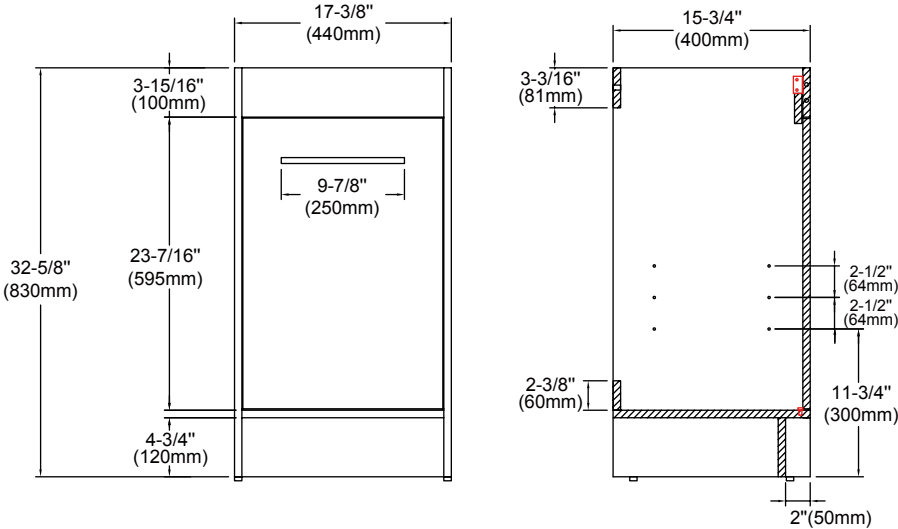


# **Bathroom Cabinet**





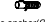
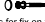


## INSTALLATION GUIDE











18" Vanity + Ceramic Basin Drawing

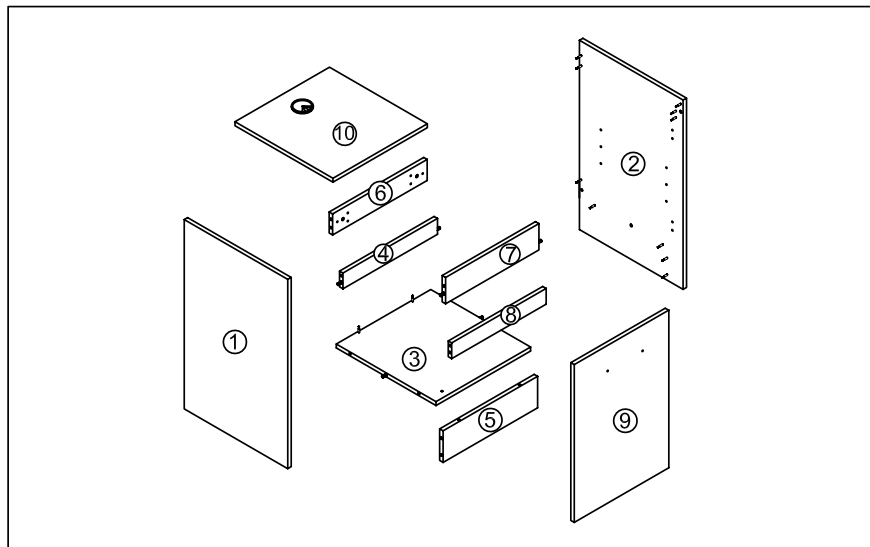


Hardware

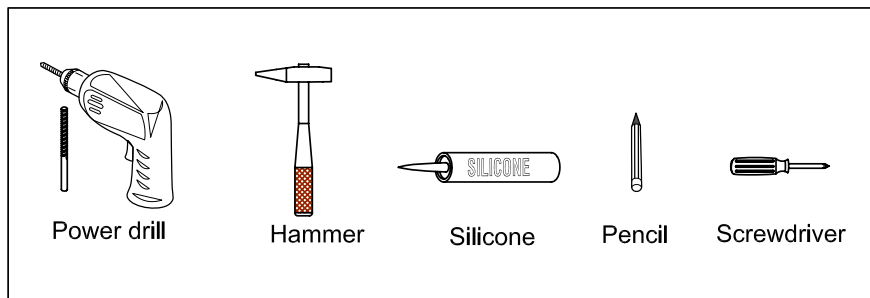
NO.	Draw	QTY
A	 Screws Ø4x14mm	32
B	 Two-in-one connector	24
C	 Two-in-one connector	24
D	 Wood plug	6
E	 Plastic anchor(Ø10mm)	2
F	 Screws for fix on the wall	2
G	 Bracket (53x70x44mm)	2
H	 Bracket (19x19x35mm)	2

NO.	Draw	QTY
I	 Hinges	2
J	 Handles	1
K	 Screws M4x18mm	2
L	 Anti-collision gasket	3
M	 Adjustable feet	4
N	 Door stopper	1
O	 Movable laminate support	4
P	 Screwdriver	1

Components



Recommended tools You Will Need



### Step 1

- x4
- B
- x4
- C
- x1
- P

Notes: Screw installation depth as shown

Attention: Cam lock arrow point to the steel rod.

---

### Step 2

- x5
- B
- x5
- C
- x2
- D
- x1
- P

Note: The D parts are used for these two holes

first step
second step
third step

page 4

### Step 3

- x5
- B
- x5
- C
- x1
- D
- x1
- P

### Step 4

Note: The D parts are used for these three holes

- x10
- B
- x10
- C
- x3
- D
- x1
- P

### Step 3

	x5
B	
	x5
C	
	x1
D	
	x1
P	

### Step 4

Note: The D parts are used for these three holes

	x10
B	
	x10
C	
	x3
D	
	x1
P	

Step 7

x2  
 I  
 (∅4 x 14mm)  
 x12  
 A  
  
 Tool

You can adjust the doors by tightening or loosening the screws on the hinge. →

Step 8

x1  
 J  
 x2  
 K  
 x2  
 L  
 x4  
 M  
  
 Tool

