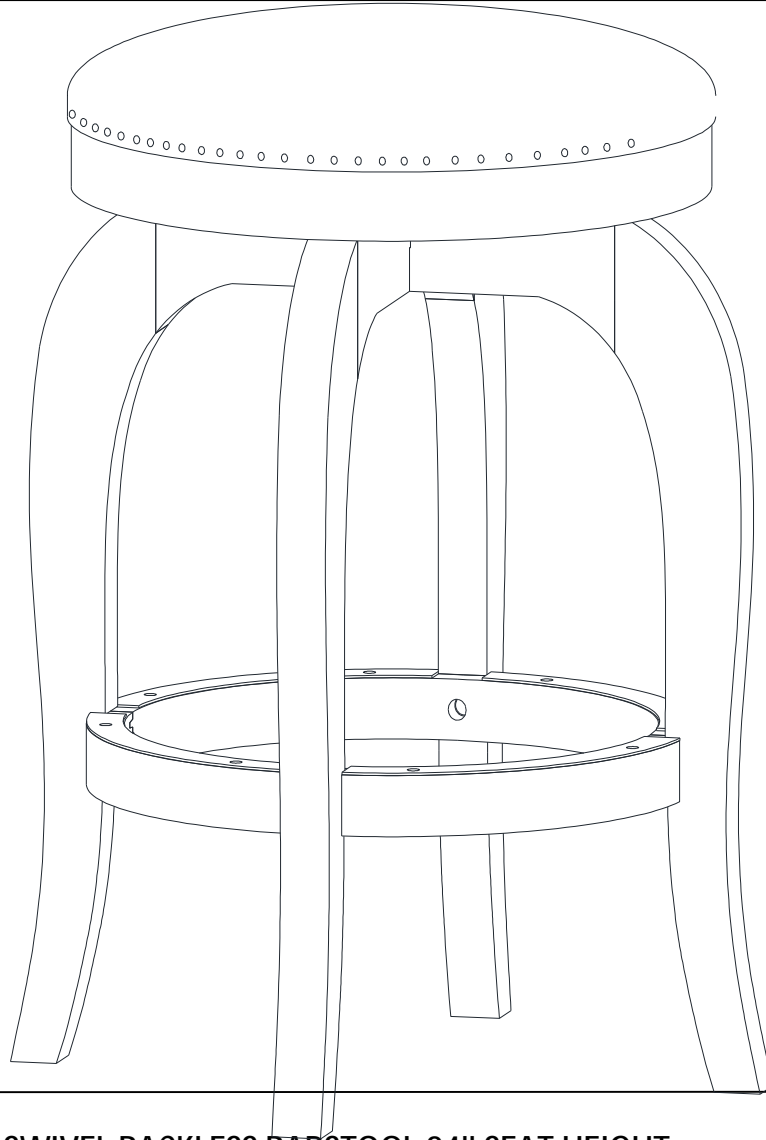


ASSEMBLY INSTRUCTIONS



Description : SWIVEL BACKLESS BARSTOOL 24" SEAT HEIGHT
Product Dimension : 20"1/2x20"1/2x24".H

Cube Size : 33.8"x 21.4"x 5.7"

NW: 16.5 LBS

GW: 19.8 LBS

BEFORE ASSEMBLY

Thank you for purchasing this quality product. This product has been designed for easy assembly and constructed for durability. Please take the time to read and follow the assembly instructions carefully.

Be sure to check all packing material carefully for small parts which may have come loose inside the carton during shipment. Please separate, identify, and count all parts and metal hardware. Compare with the part list to be sure all parts are present. If hardware is missing or you have difficulty assembling this product, please contact us.

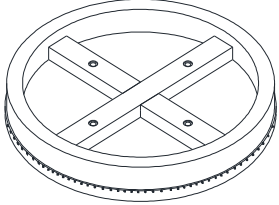
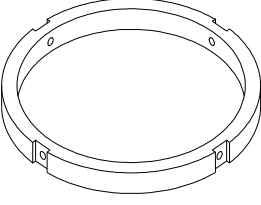
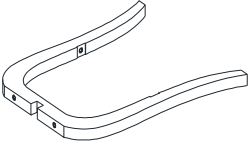
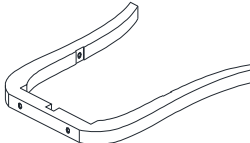
IMPORTANT NOTE:

SWIVEL BACKLESS BARSTOOL 24" SEAT HEIGHT

- Place all wooden parts on a clean and smooth surface such as a rug or carpet to avoid the parts from being scratched.
- Remove all wrapping material, including staples & packing straps before you start to assemble.
- DO NOT tighten all screws and bolts until completely assembled.
- Keep all hardware parts out of reach of children.

PART LIST

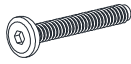

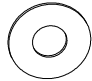
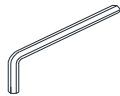
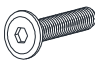

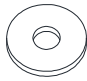
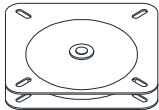
When unpacking, please be careful not to discard any parts with the packaging. Before continuing, please make sure you have the following parts:

NO	Description	Qty	Sketch	NO	Description	Qty	Sketch
A	Seat Frame	1 PC		B	Footrest	1 PC	
C	Leg 1	1 PC		D	Leg 2	1 PC	

SWIVEL BACKLESS BARSTOOL 24" SEAT HEIGHT

HARDWARE LIST

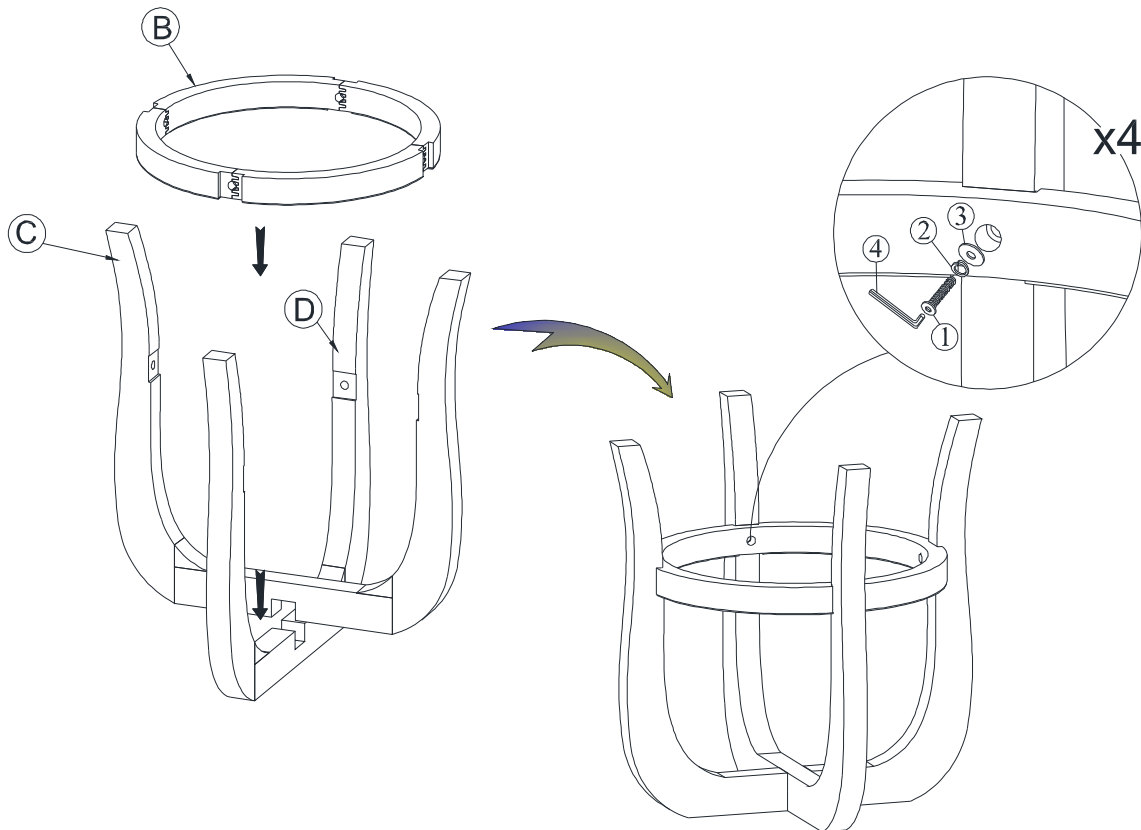
When unpacking, please be careful not to discard any parts with the packaging. Before continuing, please make sure you have all of the following hardware:

NO	Description	Qty	Sketch	NO	Description	Qty	Sketch
1	Bolt (M8x40)	4 PCs		2	Lock washer (F 8.5xF 13mm)	4 PCs	
3	Flat Washer (F 8.5xF 19mm)	4 PCs		4	Allen key (M4mm)	1PC	
5	Bolt (M6x15)	8 PCs		6	Lock washer (F 6.5xF 9mm)	8 PCs	
7	Flat Washer (F 6.5xF 19mm)	8 PCs		8	Revolving fitting	1 PC	

STEP 1

Attach leg 1 (C) to the leg 2 (D), then attach Footrest (B) to legs with the metal footrest protector facing down by using bolts (1) and washers (2) and (3). Tighten with Allen Key (4).

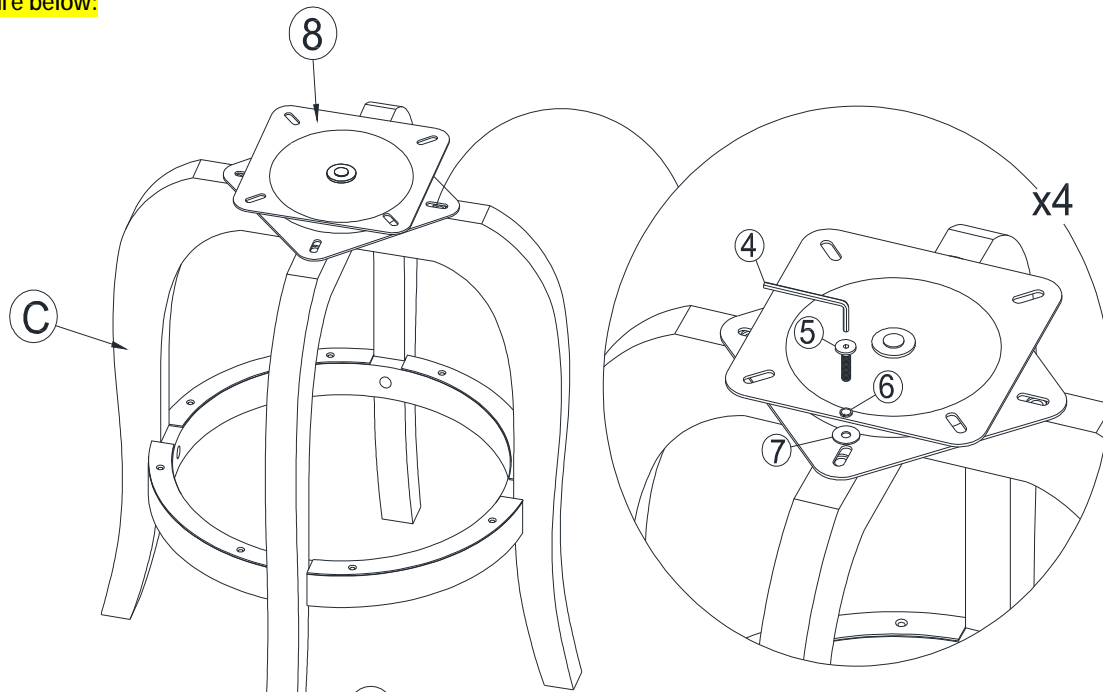
Note: DO NOT fully tighten any of the bolt, until all components are put together.



SWIVEL BACKLESS BARSTOOL 24" SEAT HEIGHT

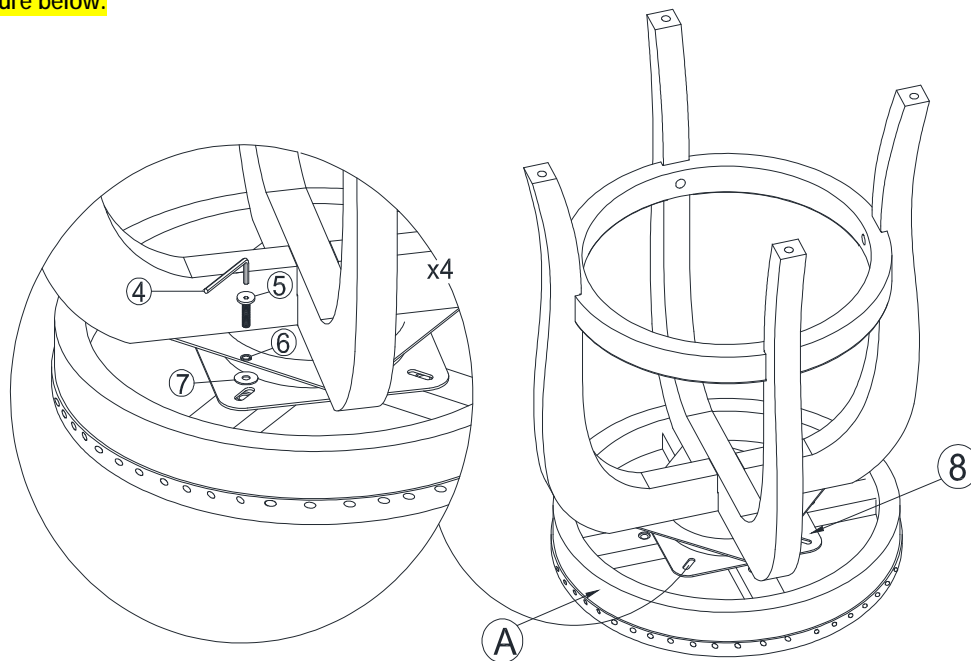
STEP 2

Attach Revolving fitting (8) to the legs by using bolts (5) and washers (6) and (7). Tighten with Allen Key (4) as shown on the picture below:



STEP 3

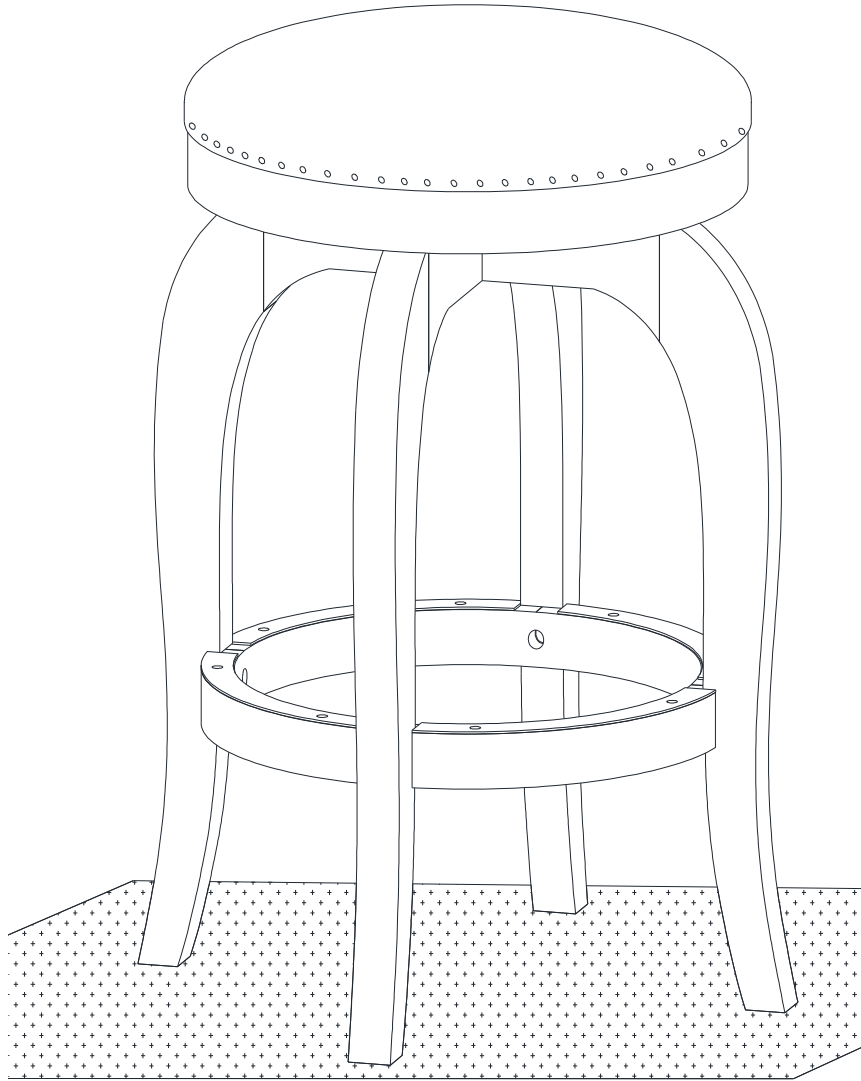
Attach Revolving fitting (8) to the Seat Frame by using bolts (5) and washers (6) and (7). Tighten with Allen Key (4) as shown on the picture below:



STEP 4

SWIVEL BACKLESS BARSTOOL 24" SEAT HEIGHT

Put the chair on a flat level surface to make sure the chair is level and then tighten the all bolts.



SWIVEL BACKLESS BARSTOOL 24" SEAT HEIGHT