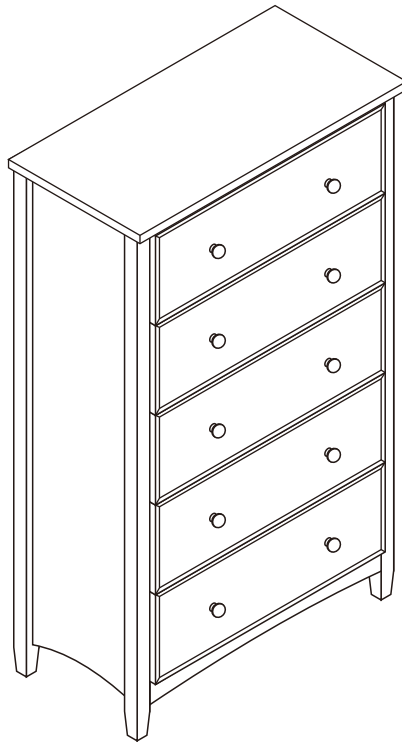


ASSEMBLY INSTRUCTIONS

NEW SHAKER STYLE CHEST



①		Φ1/4" X 1 .1/2"	x20
②		HANDLE	x10
③		Φ5/16" X 1.3/16"	x30
④		SCREWDRIVER	x1
⑤		SCREW	x10
⑥		Φ15/64" X 1 .3/16"	x10
⑦		GLUE	x1
⑧		Φ5/32" X 1"	x52
⑨		Φ5/32" X 5.1/64"	x10
⑩		TIPPING RESTRAINT	x2

*** Extra screw for your commitment.**

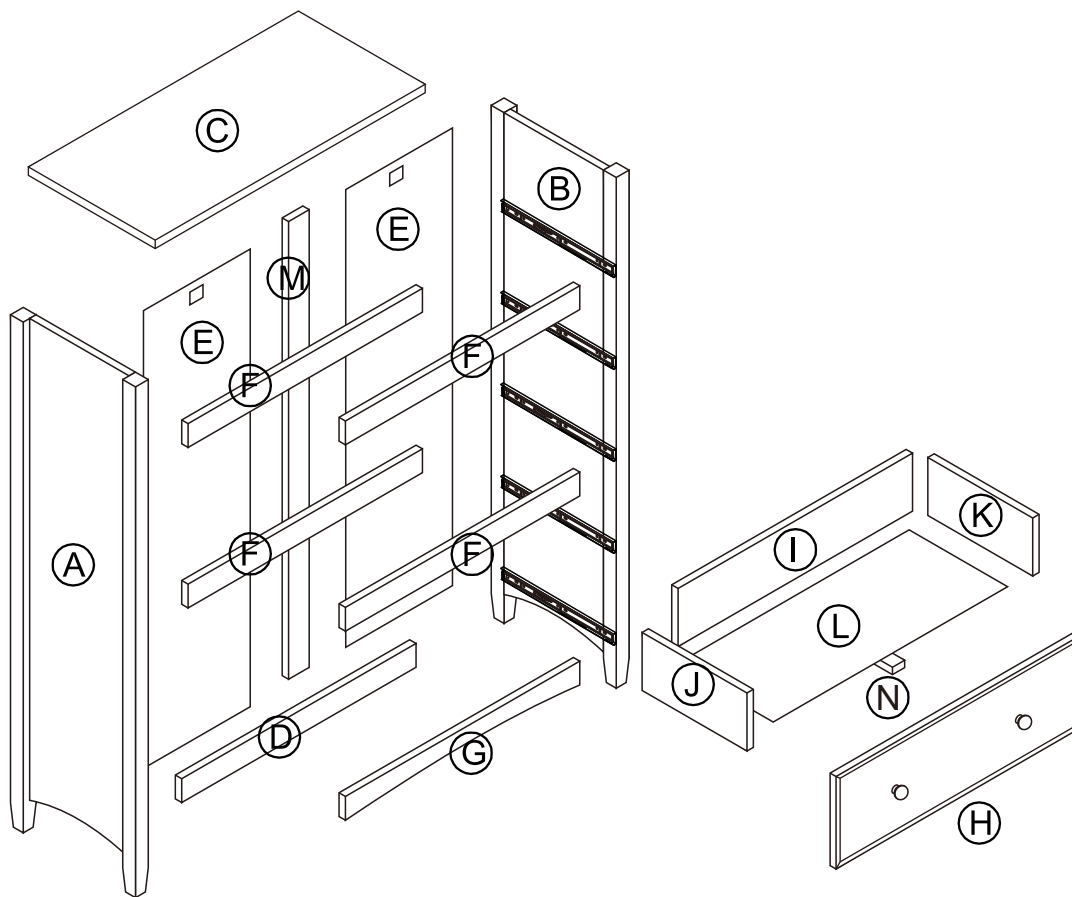
*** Please assemble flat or nice service.**

"Congratulations on Your Recent Purchase! Here Are Some Tips Before You Begin Assembling:"

"Preparing for your exciting new purchase? Be sure to set yourself up for a smooth assembly process by following these steps:"

- First, we recommend using a rug or any large clean surface as your workspace to provide a sturdy base for assembly.
- Next, it is important to separate all components and identify each part by their designated letters. This will make it easier to follow the assembly instructions and ensure all pieces are placed correctly.
- Additionally, on a clean surface separate and identify all screws lengths and hardware. You can use the assembly instructions as a guide and place the screws on top of the actual size pictured. This will save you time and confusion during the assembly process.
- Finally, we highly encourage you to carefully read through the assembly instructions and start from step one. Follow each step diligently until your new purchase is fully assembled. However, if you have any questions or need further assistance, please do not hesitate to reach out to us via email.

**Thank you again for choosing our product.
We wish you all the best and happy assembling!**



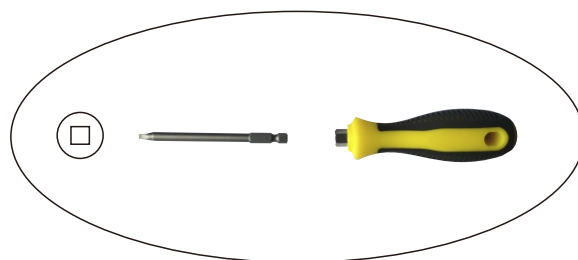
Parts list		
A	Left side panel	1 pc
B	Right side panel	1 pc
C	Top panel	1 pc
D	Back kick plate	1 pc
E	Back panel	2 pcs
F	Center support	4 pcs
G	Kick plate	1 pc
H	Drawer fronts	5 pcs
I	Drawer back panels	5 pcs
J	Left drawer side panels	5 pcs
K	Right drawer side panels	5 pcs
L	Drawer bottom panels	5 pcs
M	Back center connector	1 pc
N	Drawer bottom support	5 pcs

EACH PART IS LABELLED ACCORDING TO THE PARTS LIST

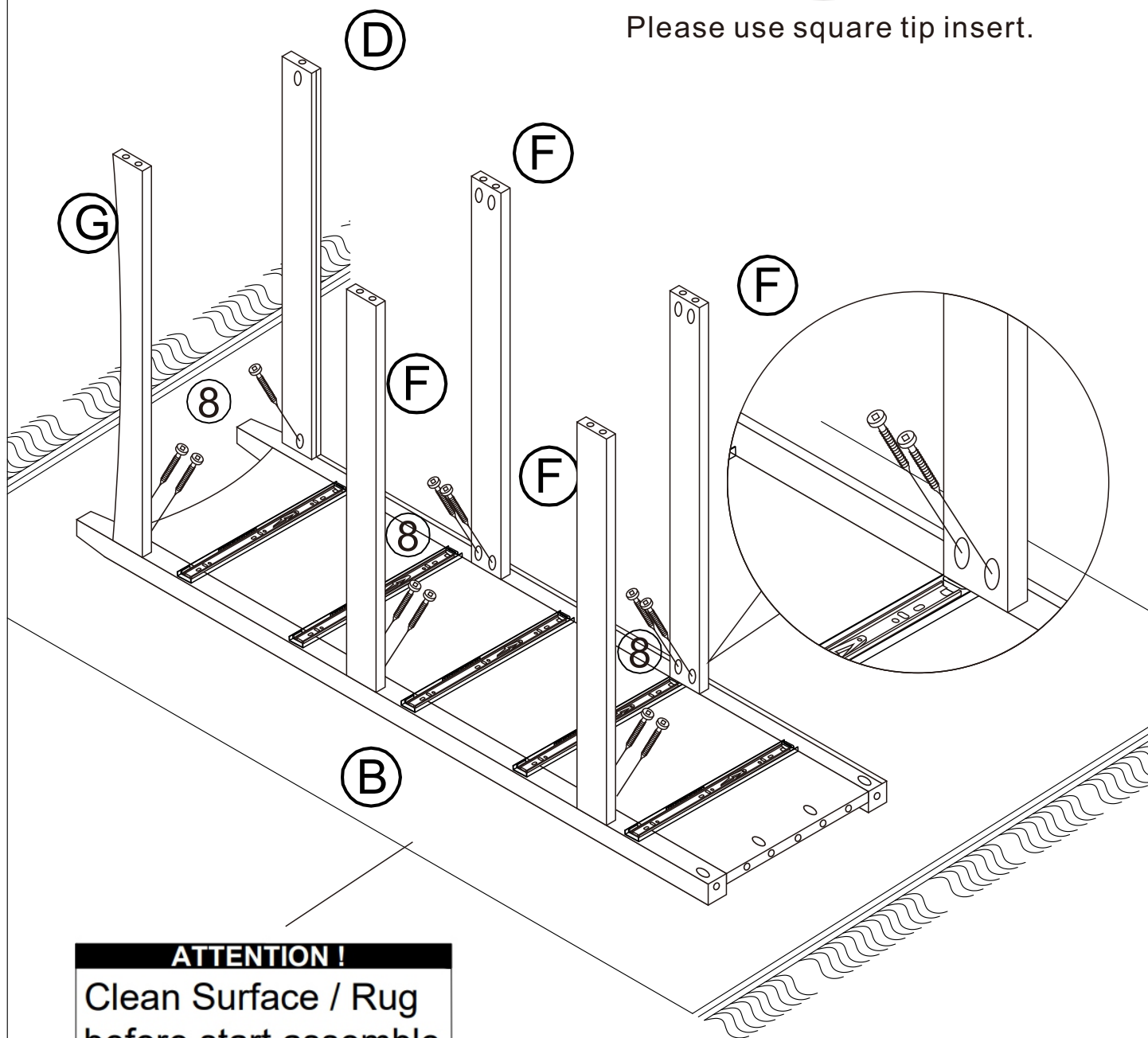


Before starting assembly
please verify if all parts and
hardware are included

STEP 1



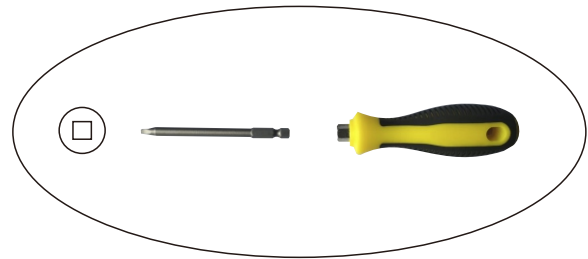
Please use square tip insert.



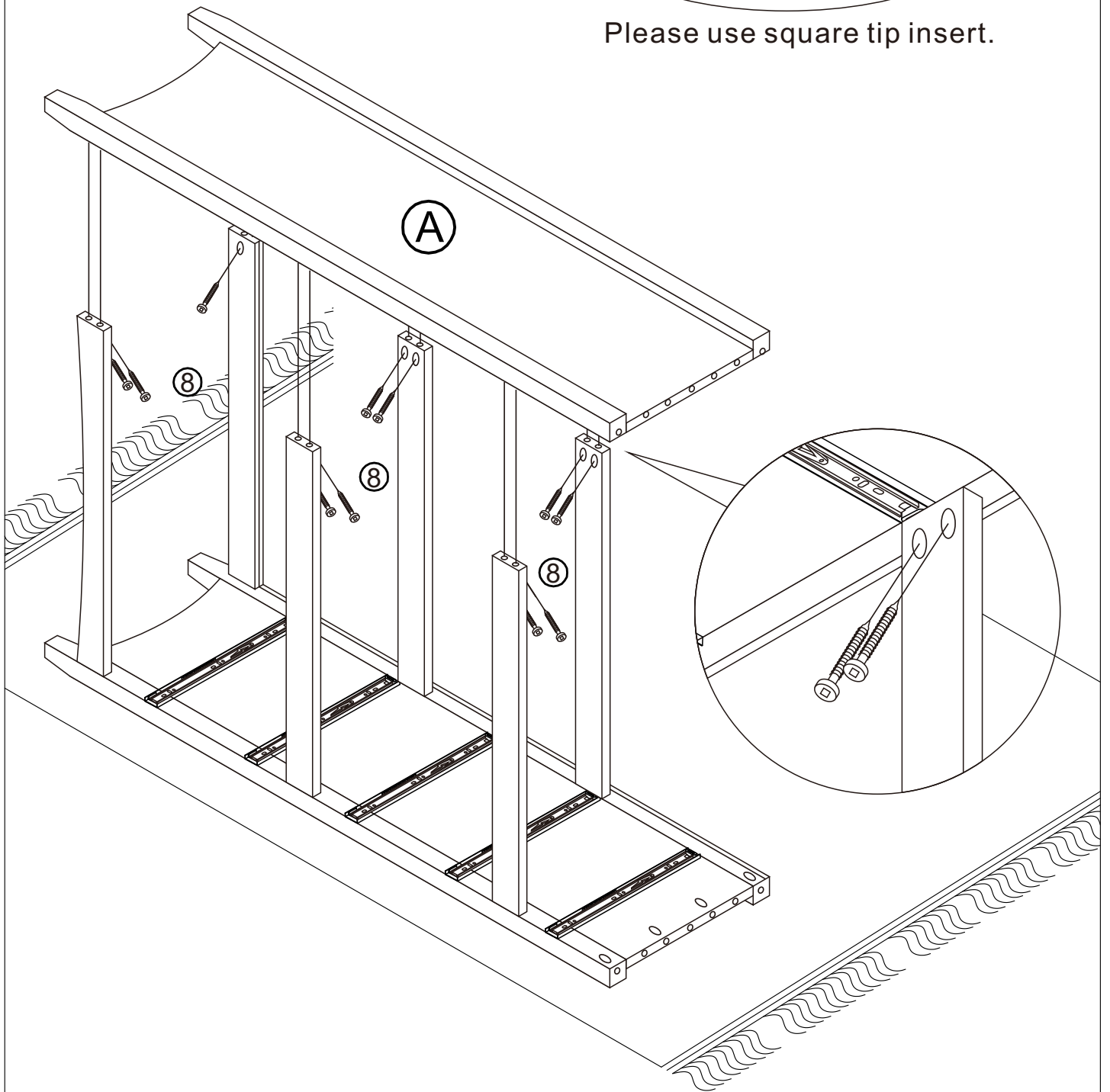
ATTENTION !
Clean Surface / Rug
before start assemble

⑧		Φ5/32" X 1"	x11
---	---	-------------	-----

STEP 2



Please use square tip insert.



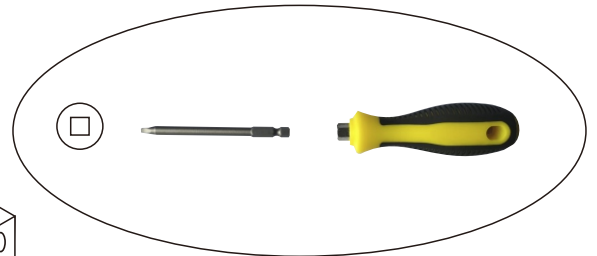
⑧



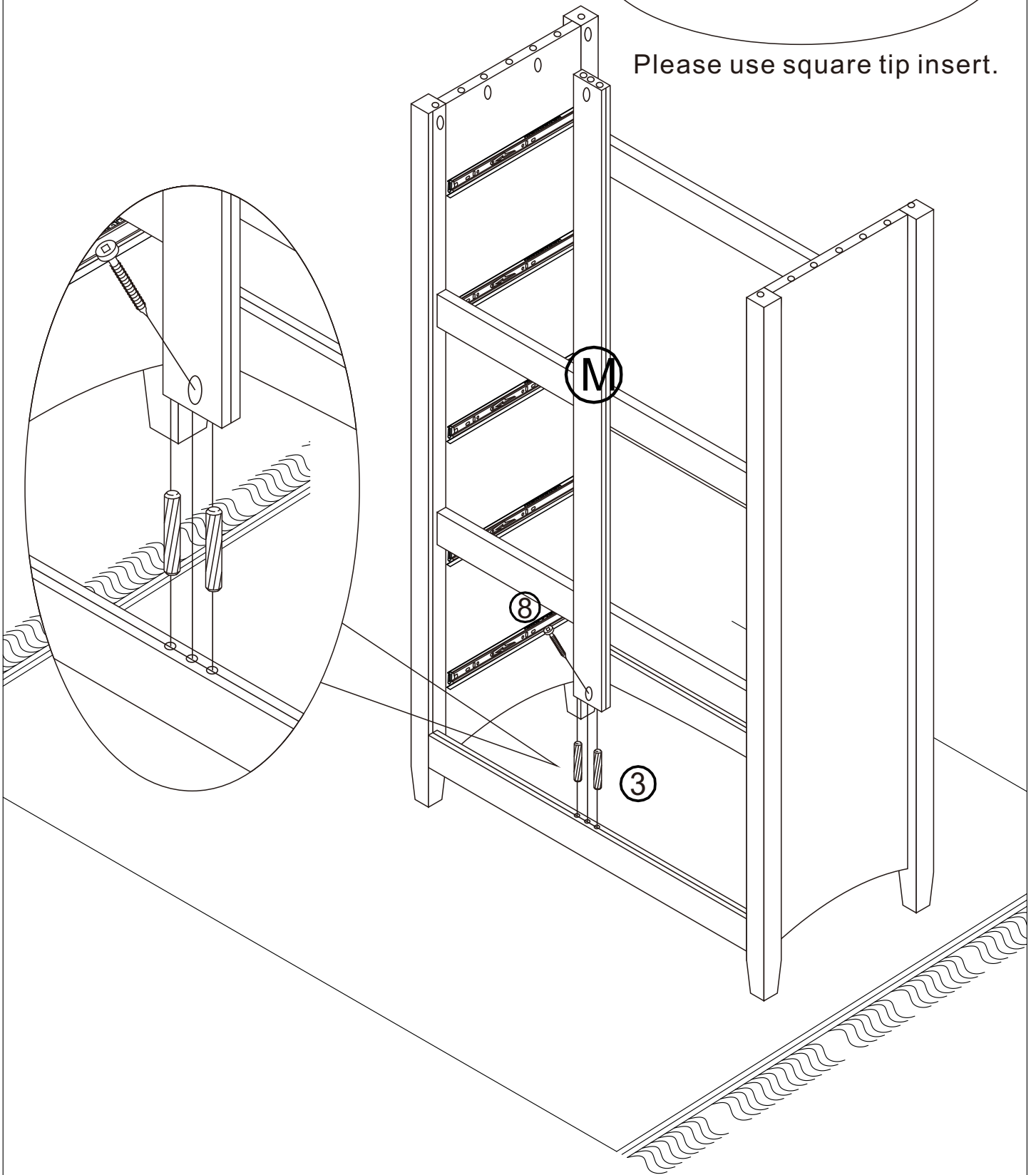
Φ5/32" X 1"



x11

STEP 3

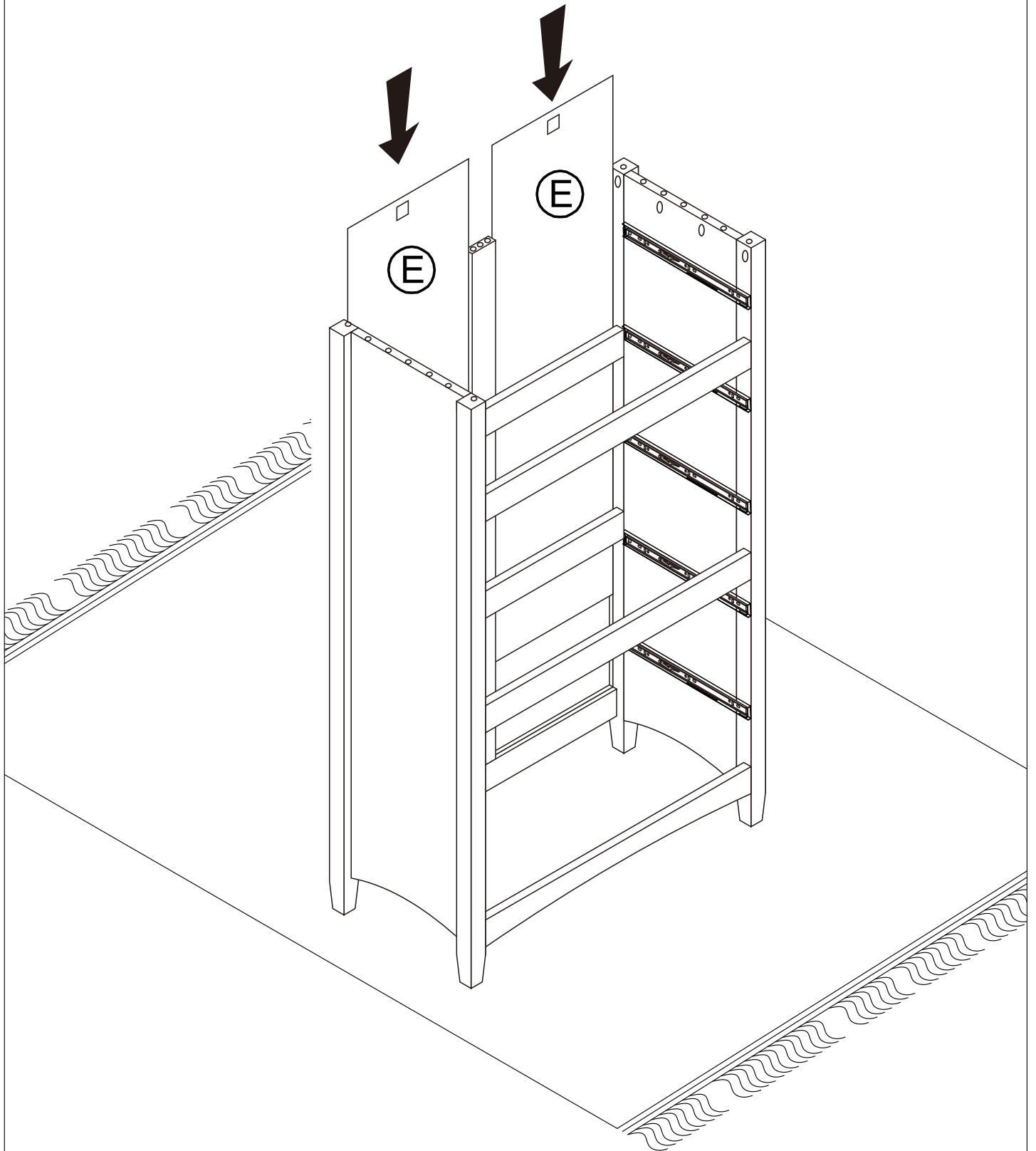


Please use square tip insert.

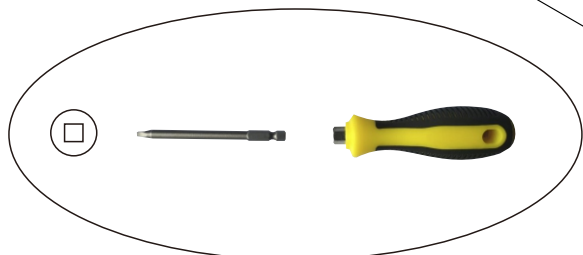
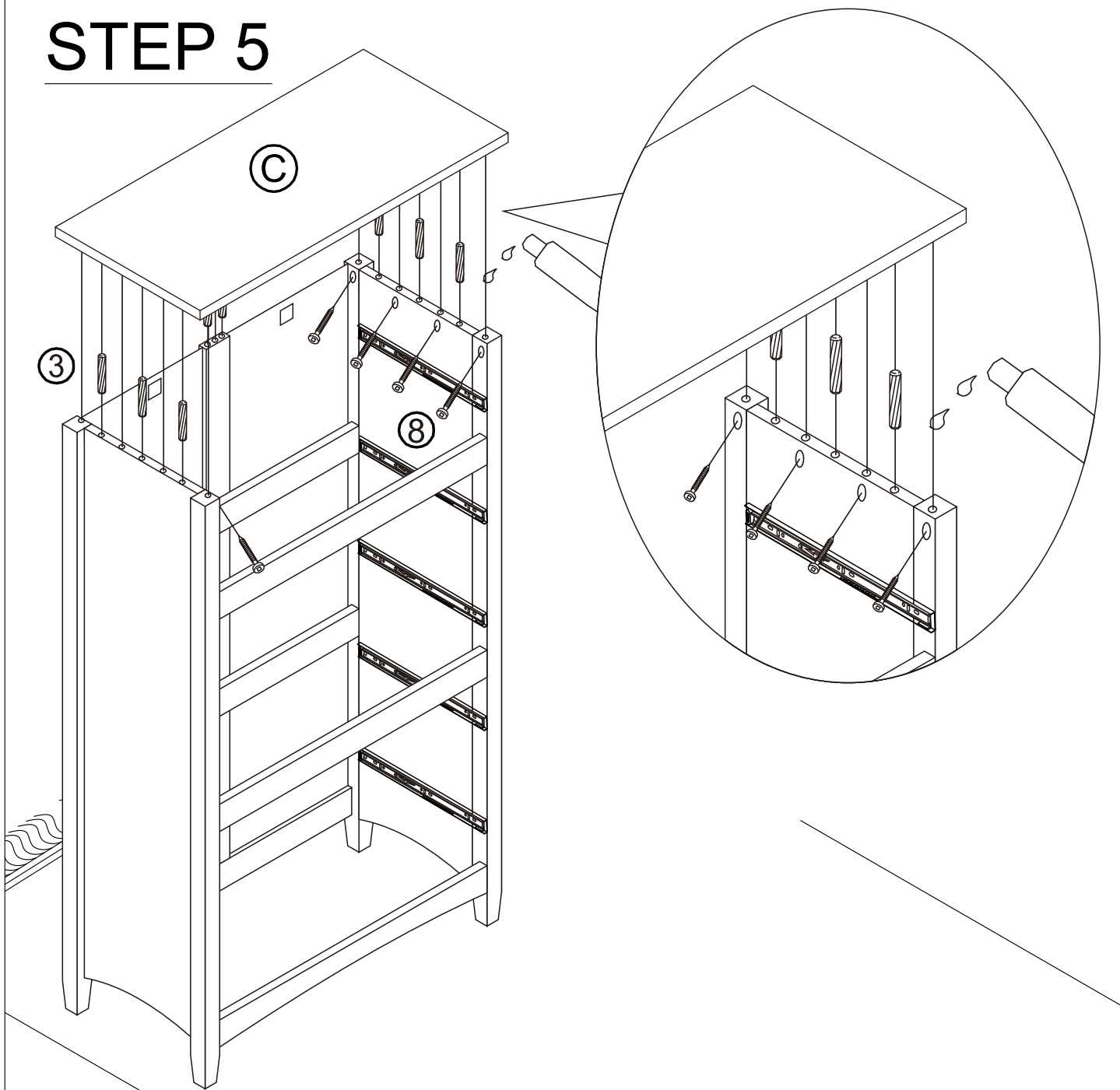


③		Φ5/16"X1.3/16"	x2
⑧		Φ5/32" X 1"	x1



STEP 4



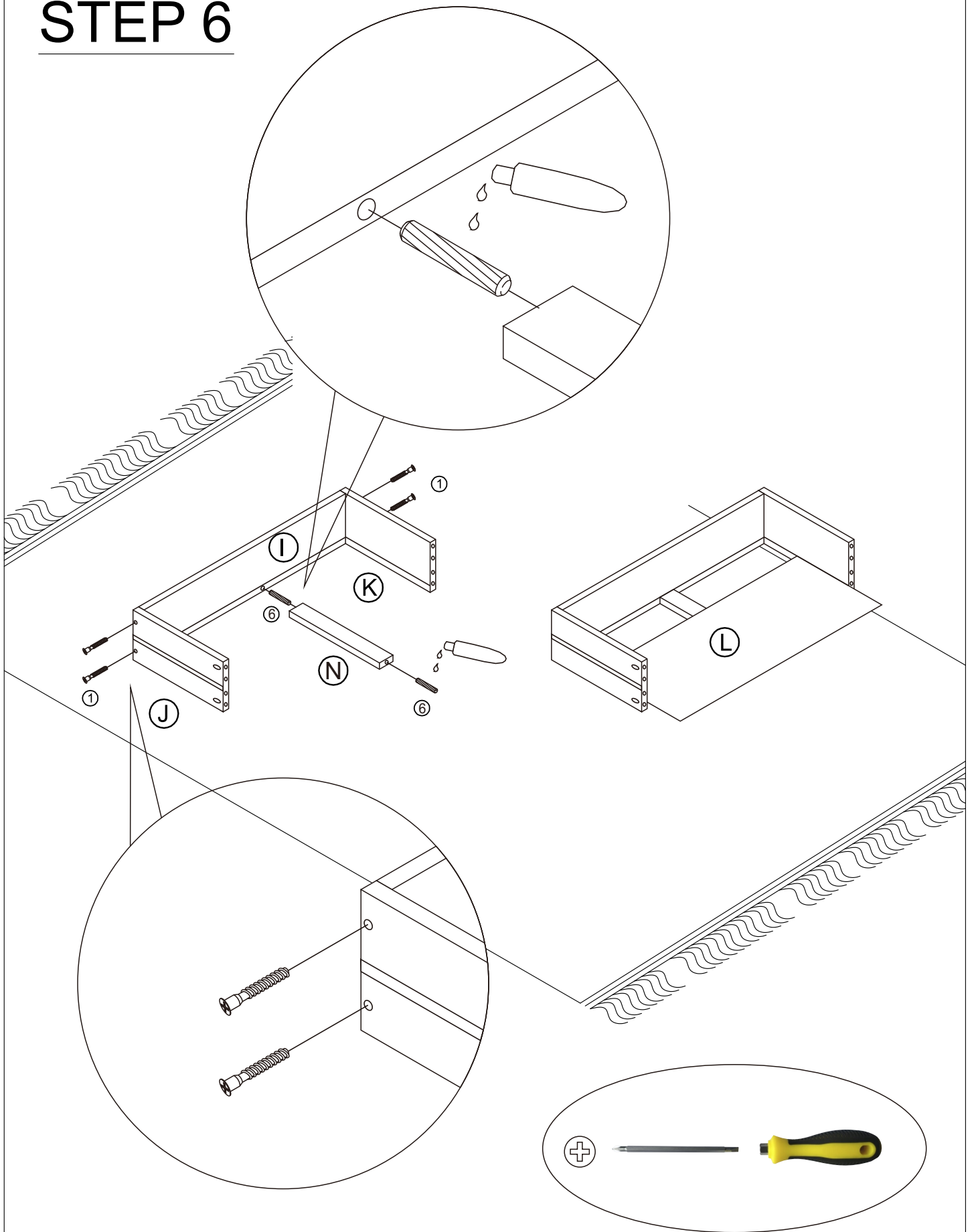
STEP 5





Please use square tip insert.

③		Φ5/16"X1.3/16"	x8
⑧		Φ5/32" X 1"	x9

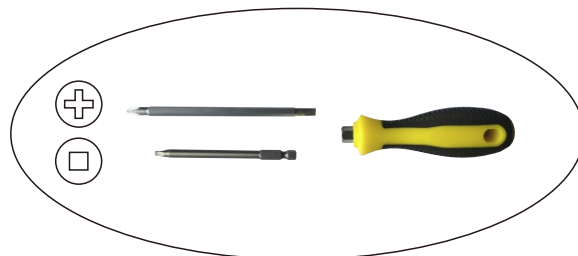
STEP 6



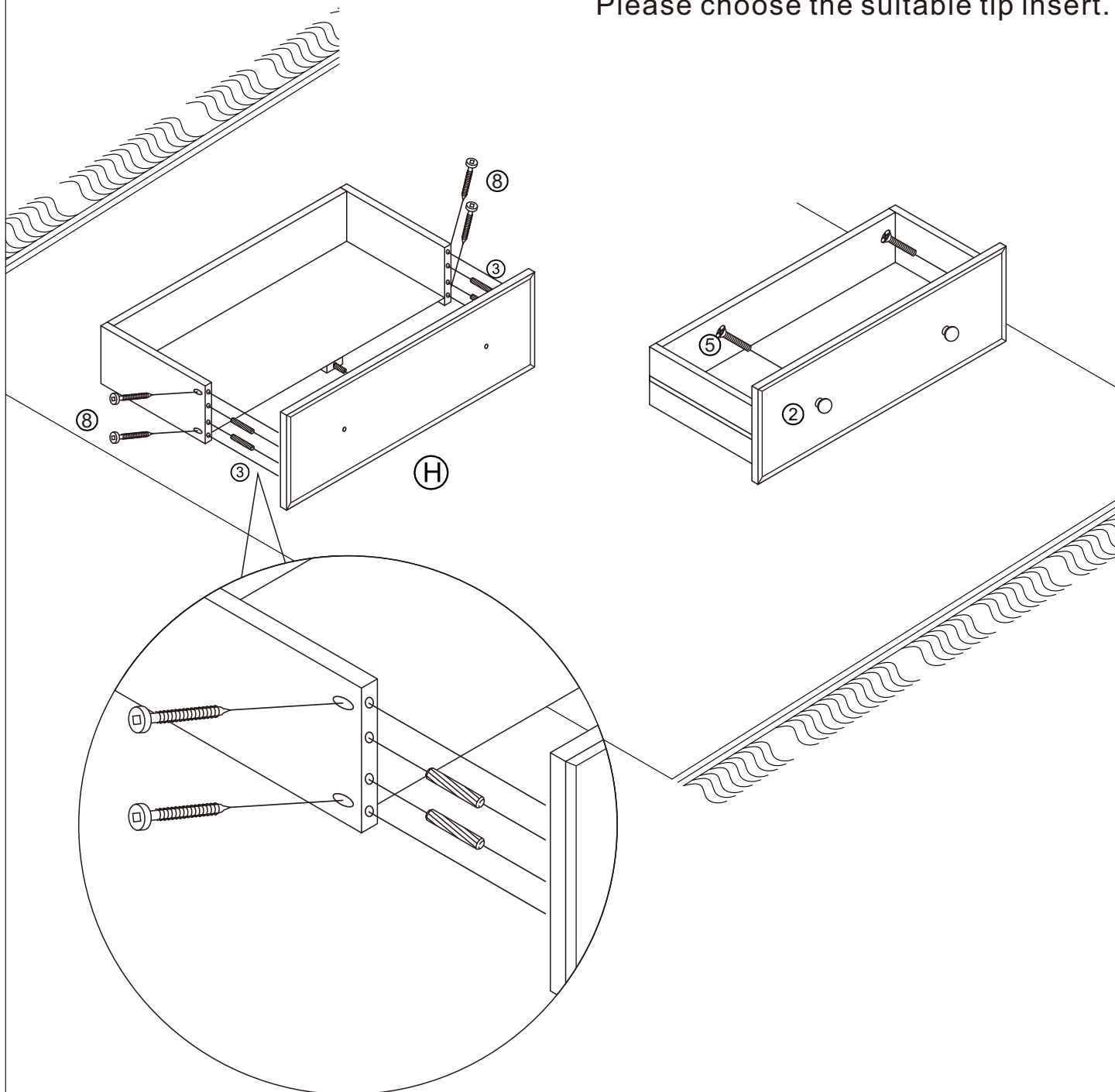
Please use Philips tip insert.

①		$\Phi 1/4'' \times 1.1/2''$	x20
⑥		$\Phi 15/64'' \times 1.3/16''$	x10

STEP 7

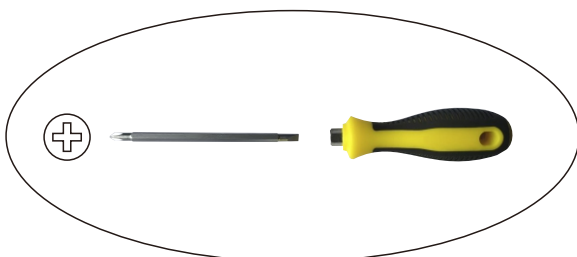
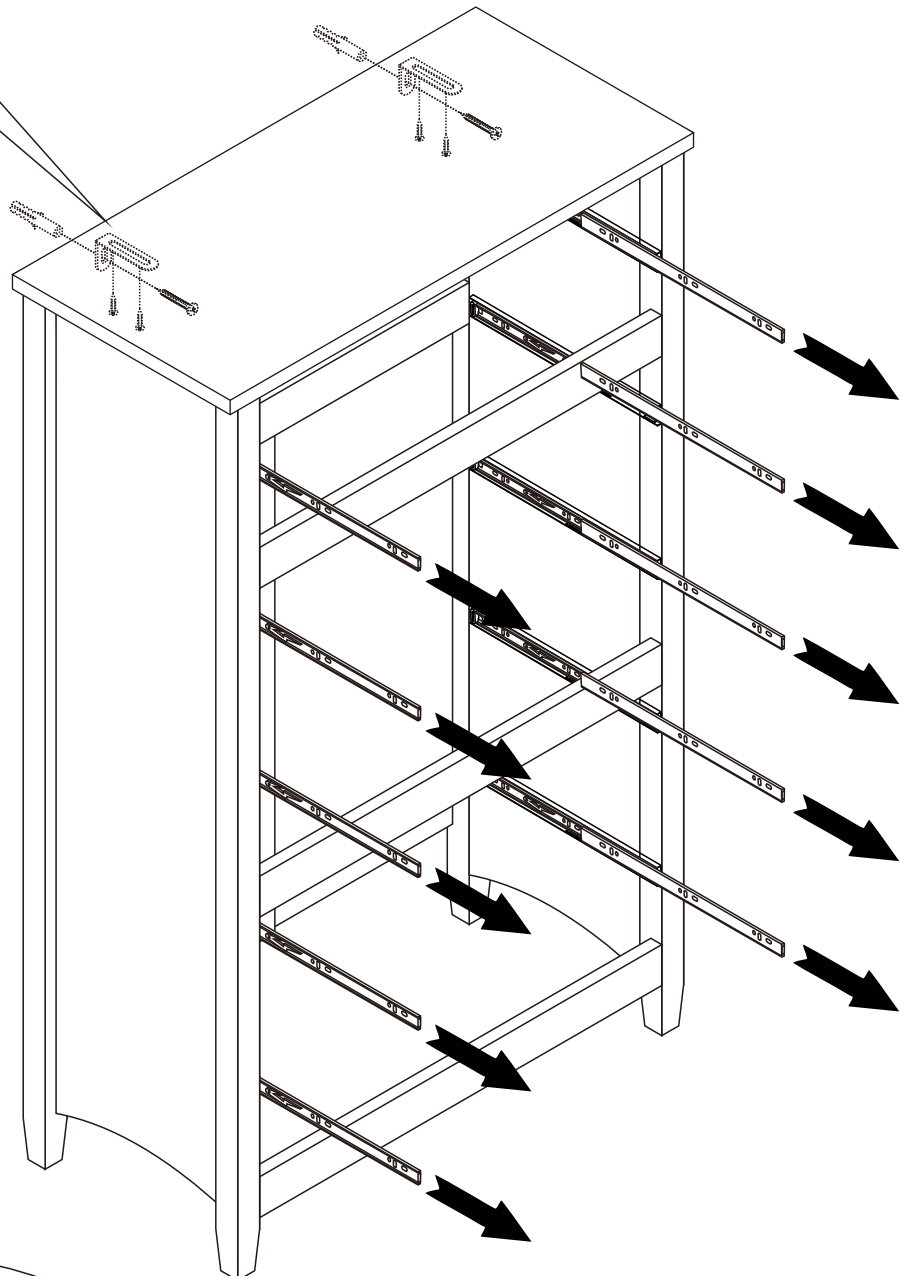
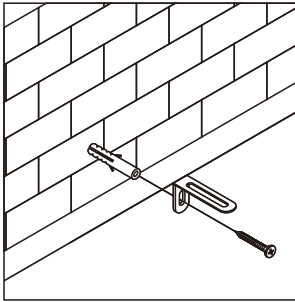


Please choose the suitable tip insert.



②		HANDLE	x10
⑤		SCREW	x10
③		Φ5/16"X1.3/16"	x20
⑧		Φ5/32" X 1"	x20

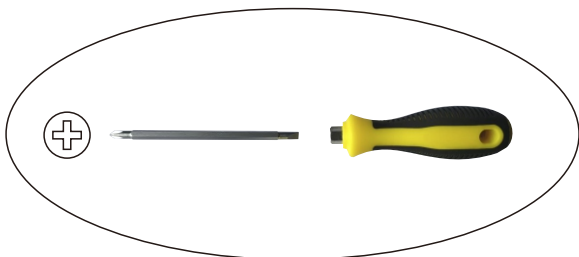
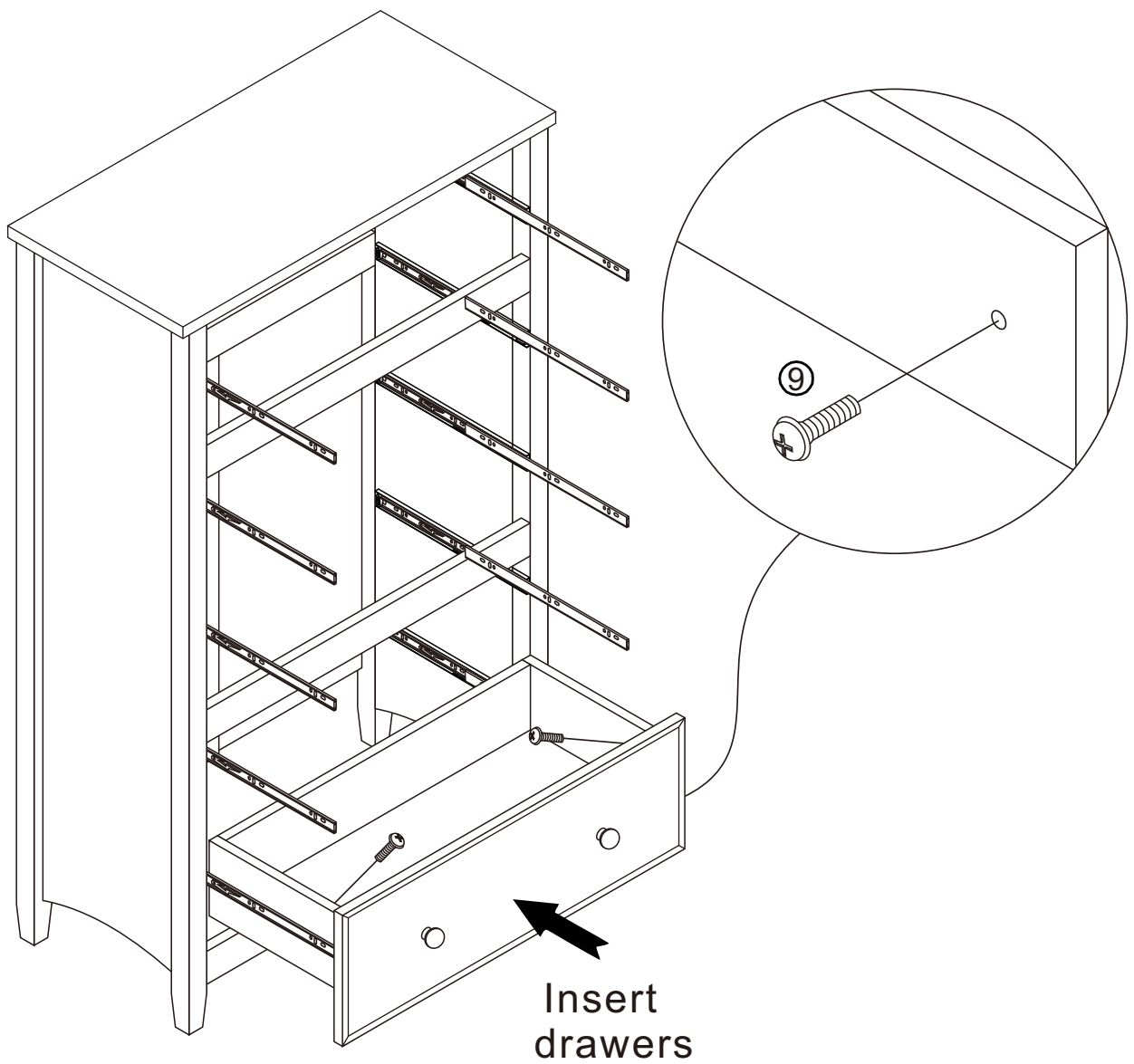
STEP 8



Please use Philips tip insert.



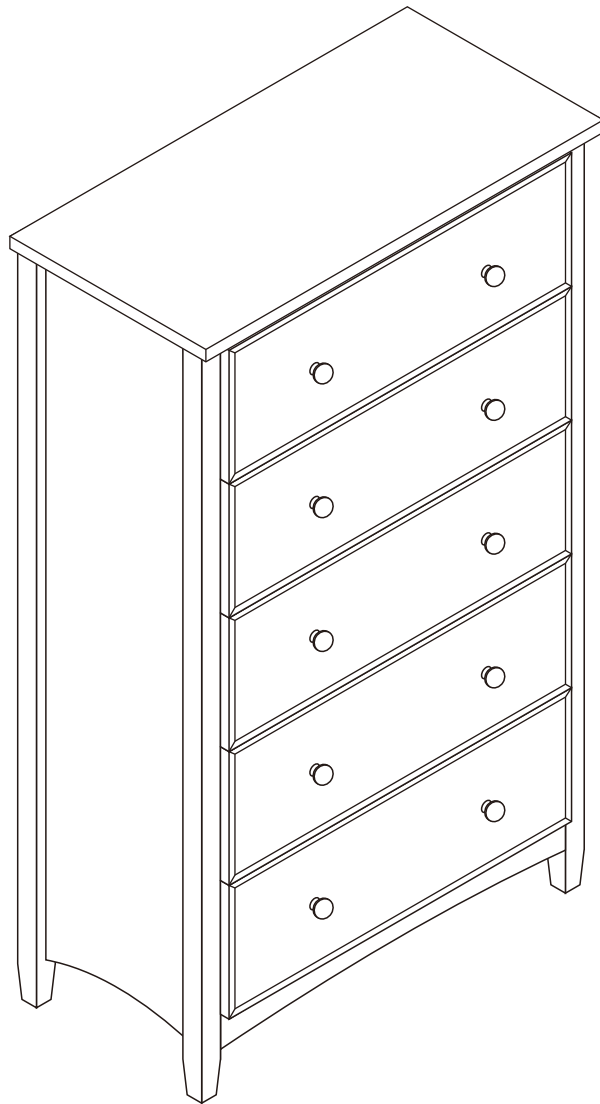
STEP 9



Please use Philips tip insert.



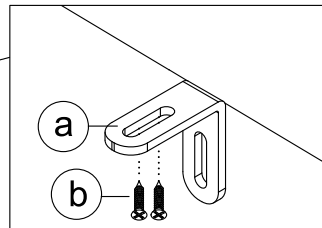
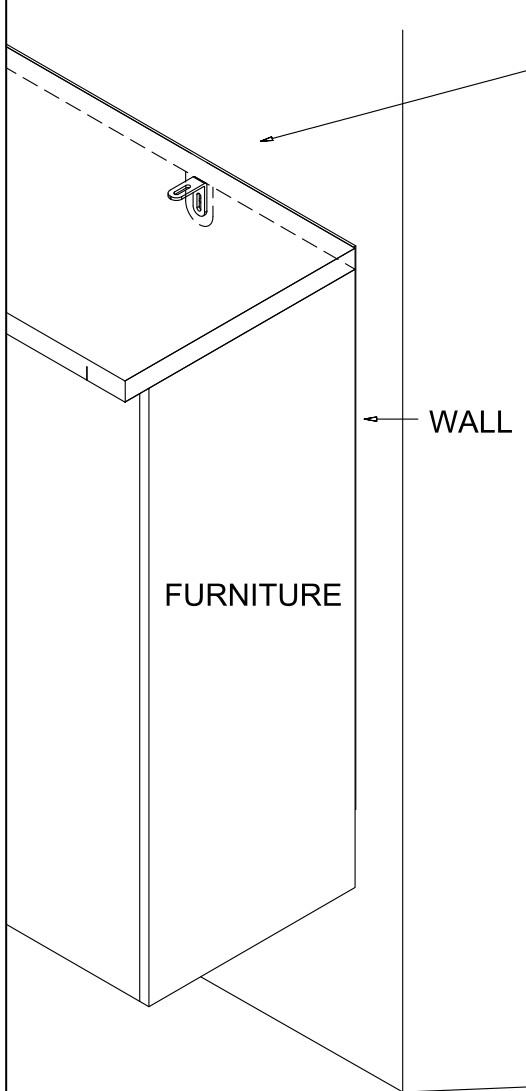
STEP 10



INSTALLATION OF TIPOVER RESTRAINT KIT

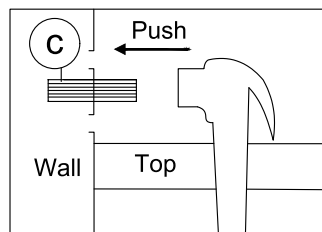
The Tipover Restraint Kit is highly recommended for this piece of furniture.

(Please take this into extra consideration around young toddlers and children)



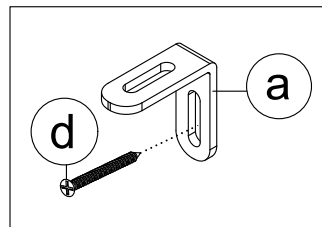
STEP 1:

- Attach the mounting bracket (a) to the bottom top panel near the edge of the side of the unit.
- Screw (b) through the two holes of (a).



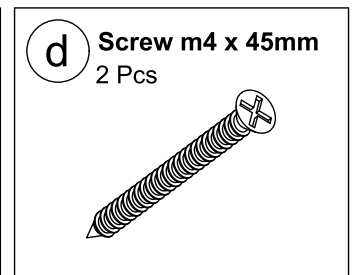
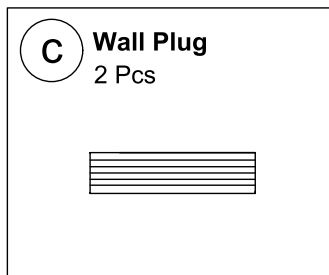
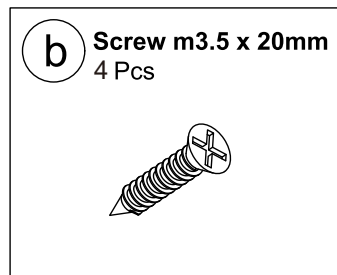
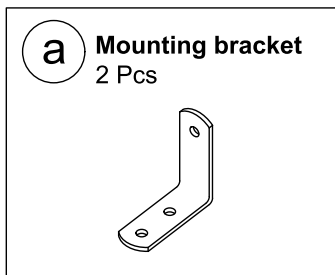
STEP 2:

- Insert the wall plug (d) into the wall behind the unit.



STEP 3:

- Attach to the mounting bracket (a) to the wall plug (c) through the hole by using (d).



THANK YOU

We hope you enjoy your new purchase.

We have personally inspected this product.

In the event that you need any additional help for any reason,

Please do not hesitate to contact us

Thank you