

VEVOR[®]

TOUGH TOOLS, HALF PRICE

Technical Support and E-Warranty Certificate

www.vevor.com/support

CHAIRS CART USER MANUAL

Model:VV44

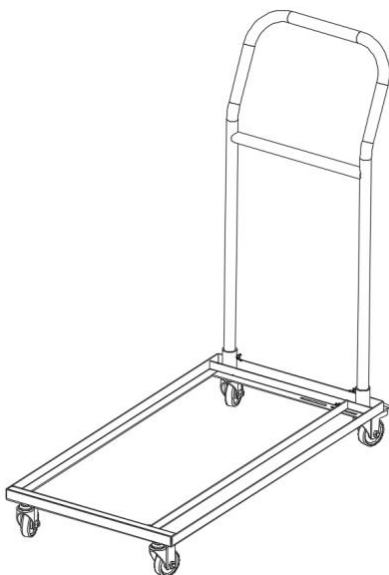
We continue to be committed to provide you tools with competitive price.

"Save Half", "Half Price" or any other similar expressions used by us only represents an estimate of savings you might benefit from buying certain tools with us compared to the major top brands and does not necessarily mean to cover all categories of tools offered by us. You are kindly reminded to verify carefully when you are placing an order with us if you are actually saving half in comparison with the top major brands.

VEVOR®

TOUGH TOOLS, HALF PRICE

CHAIRS CART



Model:VV44

Photo for reference

NEED HELP? CONTACT US!

Have product questions? Need technical support? Please feel free to contact us:

Technical Support and E-Warranty Certificate
www.vevor.com/support

This is the original instruction, please read all manual instructions carefully before operating. VEVOR reserves a clear interpretation of our user manual. The appearance of the product shall be subject to the product you received. Please forgive us that we won't inform you again if there are any technology or software updates on our product.

PRODUCT PARAMETERS

Model	Product Size/cm	Maximum number of carrying chairs	accessory
VV44	108x53.5x108	12pcs (Max:136kg)	Elastic string×2

WARNING:

Please read this manual carefully before using the product. Failure to do so may result in serious injury.

ASSEMBLY PRECAUTIONS

1. Assemble needs to follow these instructions. Incorrect assembly can be a hazard.
2. Wear safety goggles and heavy-duty work gloves during assembly.
3. Do not assemble when tired or under the influence of alcohol, drugs or medication.
4. Weight capacity and other product capabilities only apply to a wholly and correctly assembled product.
5. Keep the assembly area clean and well-lit.
6. Keep bystanders out of the area during assembly.
7. The weight of plate is heavy; pay attention to the installation to avoid hurting it, and if necessary, find someone to assist with the installation.

USE PRECAUTIONS

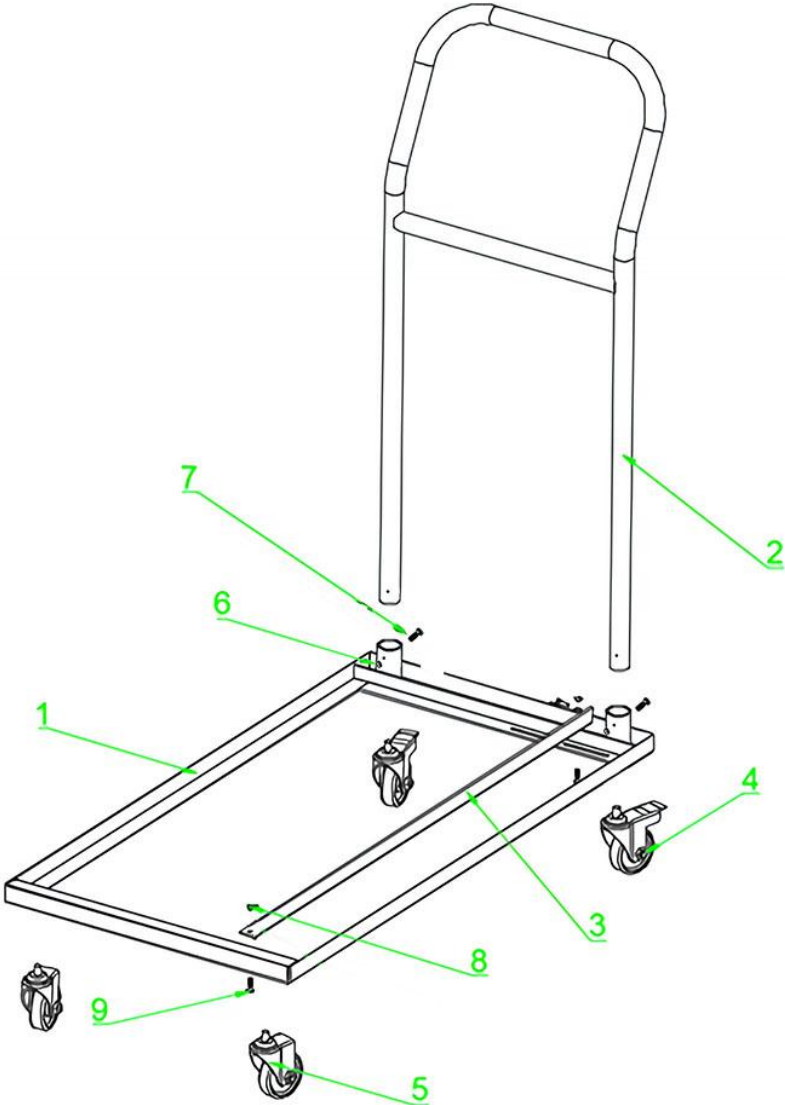


WARNING: TO PREVENT SERIOUS INJURY AND DEATH FROM TIPPING:

1. This product is not a toy. Do not allow children to play with or approach this item.
2. Use as intended only. Do not sit or stand on the product.
3. Inspect before every use. Do not use it if parts are loose or damaged.
4. Use on flat, level, and hard surfaces only.
5. Do not exceed the listed weight capacity. Tighten all knobs securely before applying load. Be aware of dynamic loading! The sudden load movement may briefly create an excess load, causing product failure.

SAVE THESE INSTRUCTIONS

Exploded Drawing



Noted: please noted that The screw rod of Item 9(Bolt M6x12) is below and the nut(item 8: M6 Nut) is above, otherwise it will interfere with the universal wheel.

PARTS LIST

NO.	Description	Quantity
01	Base Support	1
02	Handle	1
03	Adjustable Beam	1
04	Wheel With Brake	2
05	Wheel	2
06	M6 Nut	2
07	Bolt M6x40	2
08	M6 Nut	2
09	Bolt M6x12	2

Cleaning

-For cleaning, wipe the surface with a damp (not wet) cloth or wipe dry with a clean lint-free cotton cloth.

Manufacturer: Shanghaimuxinmuyeyouxiangongsi

Address: Shuangchenglu 803nong11hao1602A-1609shi, baoshanqu, shanghai 200000 CN.

Imported to AUS: SIHAO PTY LTD. 1 ROKEVA STREETEASTWOOD NSW 2122 Australia

Imported to USA: Sanven Technology Ltd. Suite 250, 9166 Anaheim Place, Rancho Cucamonga, CA 91730

EC	REP
----	-----

E-CrossStu GmbH
Mainzer Landstr.69, 60329 Frankfurt am Main.

UK	REP
----	-----

YH CONSULTING LIMITED.
C/O YH Consulting Limited Office 147, Centurion House,
London Road, Staines-upon-Thames, Surrey, TW18 4AX

VEVOR[®]
TOUGH TOOLS, HALF PRICE

Technical Support and E-Warranty Certificate
www.vevor.com/support

VEVOR[®]

TOUGH TOOLS, HALF PRICE

Assistance technique et certificat de garantie électronique

www.vevor.com/support

CHAISES CHARIOT MANUEL D'UTILISATION

Modèle : VV4 4

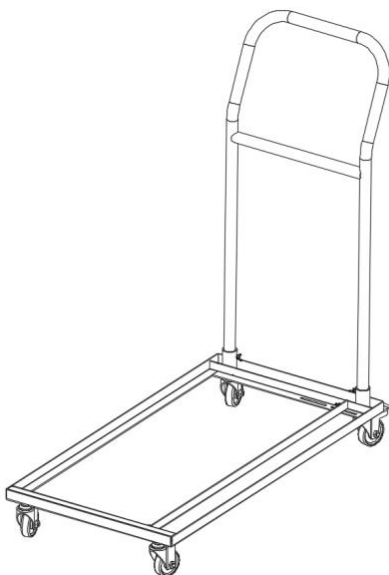
We continue to be committed to provide you tools with competitive price.

"Save Half", "Half Price" or any other similar expressions used by us only represents an estimate of savings you might benefit from buying certain tools with us compared to the major top brands and does not necessarily mean to cover all categories of tools offered by us. You are kindly reminded to verify carefully when you are placing an order with us if you are actually saving half in comparison with the top major brands.

VEVOR®

TOUGH TOOLS, HALF PRICE

CHAIRS CART



Modèle : VV4 4

Photo pour référence

NEED HELP? CONTACT US!

Have product questions? Need technical support? Please feel free to contact us:

Technical Support and E-Warranty Certificate
www.vevor.com/support

This is the original instruction, please read all manual instructions carefully before operating. VEVOR reserves a clear interpretation of our user manual. The appearance of the product shall be subject to the product you received. Please forgive us that we won't inform you again if there are any technology or software updates on our product.

PARAMÈTRES DU PRODUIT

Modèle	Taille du produit/cm	Nombre maximum de chaises porteuses	accessoire
VV4 4	10 8 x 53,5 x 10 8	12 pièces (Max : 136 kg)	Corde élastique × 2

AVERTISSEMENT:

Veillez lire attentivement ce manuel avant d'utiliser le produit. Le non-respect de ces instructions peut entraîner des blessures graves.

PRÉCAUTIONS D'ASSEMBLAGE

1. L'assemblage doit être effectué conformément aux instructions ci-dessous. Un assemblage incorrect peut être dangereux.
2. Portez des lunettes de sécurité et des gants de travail résistants pendant l'assemblage.
3. Ne pas monter si vous êtes fatigué ou sous l'influence de l'alcool, de drogues ou de médicaments.
4. La capacité de poids et les autres capacités du produit s'appliquent uniquement à un produit entièrement et correctement assemblé.
5. Gardez la zone de montage propre et bien éclairée.
6. Gardez les spectateurs hors de la zone pendant le montage.
7. Le poids de la plaque est lourd ; faites attention à l'installation pour éviter de la blesser et, si nécessaire, trouvez quelqu'un pour vous aider à l'installation.

PRÉCAUTIONS D'EMPLOI

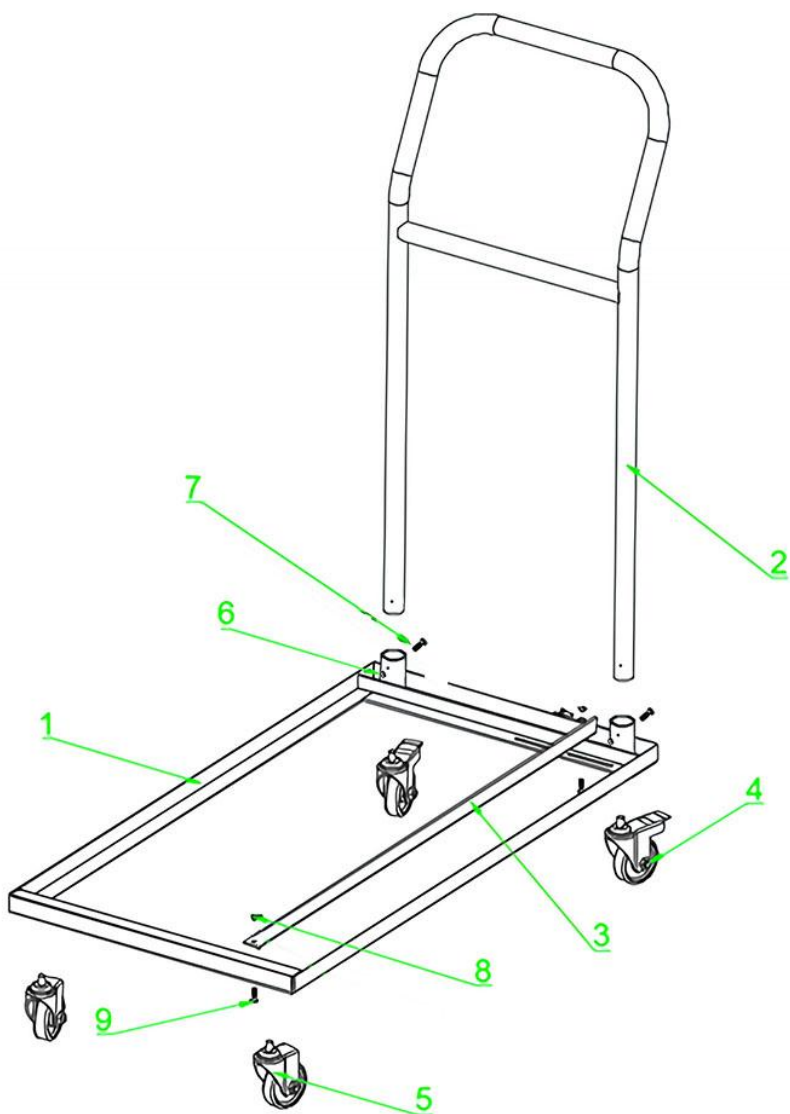


AVERTISSEMENT: POUR ÉVITER LES BLESSURES GRAVES ET LA MORT RÉSULTANT DU BASCULEMENT :

1. Ce produit n'est pas un jouet. Ne laissez pas les enfants jouer avec ou s'en approcher.
2. Utiliser uniquement comme prévu. Ne pas s'asseoir ni se tenir debout sur le produit.
3. Inspectez l'appareil avant chaque utilisation. Ne l'utilisez pas si des pièces sont desserrées ou endommagées.
4. Utiliser uniquement sur des surfaces planes, nivelées et dures .
5. Ne dépassez pas la capacité de charge indiquée. Serrez fermement tous les boutons avant d'appliquer la charge. Soyez attentif à la charge dynamique ! Le mouvement soudain de la charge peut brièvement créer une charge excessive, provoquant une défaillance du produit.

CONSERVEZ CES INSTRUCTIONS

Dessin éclaté



Remarque : veuillez noter que la tige filetée de l'article 9 (boulon M6x12) est en dessous et l'écrou (article 8 : écrou M6) est au-dessus, sinon cela interférera avec la roue universelle.

LISTE DES PIÈCES

NON.	Description	Quantité
01	Soutien de base	1
02	Poignée	1
03	Poutre réglable	1
04	Roue avec frein	2
05	Roue	2
06	Écrou M 6	2
07	Boulon M 6x40	2
08	Écrou M6	2
09	Boulon M6x1 2	2

Nettoyage

-Pour le nettoyage, essuyez la surface avec un chiffon humide (pas mouillé) ou essuyez avec un chiffon en coton propre non pelucheux.

Fabricant : Shanghaimuxinmuyeyouxiangongsi

Adresse : Shuangchenglu 803nong11hao1602A-1609shi, baoshanqu, Shanghai 200000 CN.

Importé en Australie : SIHAO PTY LTD. 1 ROKEVA STREETEASTWOOD NSW 2122 Australie

Importé aux États-Unis : Sanven Technology Ltd. Suite 250, 9166 Anaheim Place, Rancho Cucamonga, CA 91730

EC	REP
-----------	------------

E-CrossStu GmbH
Mainzer Landstr.69, 60329 Frankfurt am Main.

UK	REP
-----------	------------

YH CONSULTING LIMITED.
C/O YH Consulting Limited Office 147, Centurion House,
London Road. Staines-upon-Thames. Surrey. TW18 4AX

VEVOR[®]

TOUGH TOOLS, HALF PRICE

Assistance technique et certificat de garantie électronique

www.vevor.com/support

VEVOR[®]

TOUGH TOOLS, HALF PRICE

Technischer Support und E-Garantie-Zertifikat

www.vevor.com/support

STÜHLE WAGEN BENUTZERHANDBUCH

Modell: VV4 4

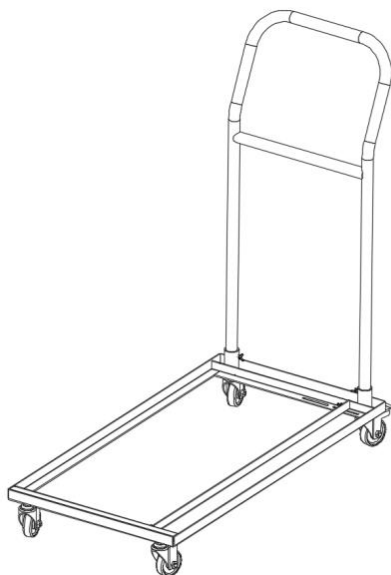
We continue to be committed to provide you tools with competitive price.

"Save Half", "Half Price" or any other similar expressions used by us only represents an estimate of savings you might benefit from buying certain tools with us compared to the major top brands and does not necessarily mean to cover all categories of tools offered by us. You are kindly reminded to verify carefully when you are placing an order with us if you are actually saving half in comparison with the top major brands.

VEVOR®

TOUGH TOOLS, HALF PRICE

CHAIRS CART



Modell: VV4 4

Foto als Referenz

NEED HELP? CONTACT US!

Have product questions? Need technical support? Please feel free to contact us:

Technical Support and E-Warranty Certificate
www.vevor.com/support

This is the original instruction, please read all manual instructions carefully before operating. VEVOR reserves a clear interpretation of our user manual. The appearance of the product shall be subject to the product you received. Please forgive us that we won't inform you again if there are any technology or software updates on our product.

PRODUKTPARAMETER

Modell	Produktgröße/cm	Maximale Anzahl an Tragestühlen	Zubehör
VV4 4	10 8 x53,5x10 8	12 Stück (max.: 136 kg)	Gummiband × 2

WARNUNG:

Bitte lesen Sie dieses Handbuch vor der Verwendung des Produkts sorgfältig durch. Andernfalls kann es zu schweren Verletzungen kommen.

VORSICHTSMASSNAHMEN BEI DER MONTAGE

1. Beim Zusammenbau müssen diese Anweisungen befolgt werden. Ein falscher Zusammenbau kann gefährlich sein.
2. Tragen Sie während der Montage eine Schutzbrille und strapazierfähige Arbeitshandschuhe.
3. Nicht zusammenbauen, wenn Sie müde sind oder unter dem Einfluss von Alkohol, Drogen oder Medikamenten stehen.
4. Gewichtskapazität und andere Produktfähigkeiten gelten nur für ein vollständig und korrekt montiertes Produkt.
5. Halten Sie den Versammlungsbereich sauber und gut beleuchtet.
6. Halten Sie während der Montage unbeteiligte Zuschauer vom Bereich fern.
7. Die Platte ist schwer. Achten Sie bei der Installation darauf, sie nicht zu beschädigen. Bitten Sie ggf. jemanden, Ihnen bei der Installation zu helfen.

VORSICHTSMASSNAHMEN BEIM GEBRAUCH



WARNUNG: UM SCHWERE VERLETZUNGEN UND TOD DURCH KIPPEN ZU VERMEIDEN:

1. Dieses Produkt ist kein Spielzeug. Erlauben Sie Kindern nicht, mit diesem Produkt zu spielen oder sich ihm zu nähern.
2. Nur bestimmungsgemäß verwenden. Nicht auf dem Produkt sitzen oder stehen.
3. Vor jedem Gebrauch überprüfen. Nicht verwenden, wenn Teile lose oder beschädigt sind.
4. Nur auf flachen, ebenen und harten Oberflächen verwenden .
5. Überschreiten Sie nicht die angegebene Gewichtskapazität. Ziehen Sie alle Knöpfe fest an, bevor Sie eine Last aufbringen. Achten Sie auf dynamische Belastung! Die plötzliche Lastbewegung kann kurzzeitig eine Überlastung erzeugen und zu einem Produktausfall führen.

BEWAHREN SIE DIESE ANWEISUNGEN AUF

Explosionszeichnung

NEIN.	Beschreibung	Menge
01	Basisunterstützung	1
02	Handhaben	1
03	Einstellbarer Strahl	1
04	Rad mit Bremse	2
05	Rad	2
06	M 6 Mutter	2
07	Schraube M 6x40	2
08	M6 Mutter	2
09	Schraube M6x1 2	2

Reinigung

-Zum Reinigen die Oberfläche mit einem feuchten (nicht nassen) Tuch abwischen oder mit einem sauberen, fusselreien Baumwolltuch trockenreiben.

Hersteller: Shanghaimuxinmuyeyouxiangongsi

Adresse: Shuangchenglu 803nong11hao1602A-1609shi, baoshanqu, Shanghai 200000 CN.

Nach AUS importiert: SIHAO PTY LTD. 1 ROKEVA STREETEASTWOOD NSW 2122 Australien

Importiert in die USA: Sanven Technology Ltd. Suite 250, 9166 Anaheim Place, Rancho Cucamonga, CA 91730

EC	REP
----	-----

E-CrossStu GmbH
Mainzer Landstr.69, 60329 Frankfurt am Main.

UK	REP
----	-----

YH CONSULTING LIMITED.
C/O YH Consulting Limited Office 147, Centurion House,
London Road. Staines-upon-Thames. Surrey. TW18 4AX

VEVOR[®]

TOUGH TOOLS, HALF PRICE

Technischer Support und E-Garantie-Zertifikat

www.vevor.com/support

VEVOR[®]

TOUGH TOOLS, HALF PRICE

Supporto tecnico e certificato di garanzia elettronica

www.vevor.com/support

CARRELLO SEDIE MANUALE D'USO

Modello:VV4 4

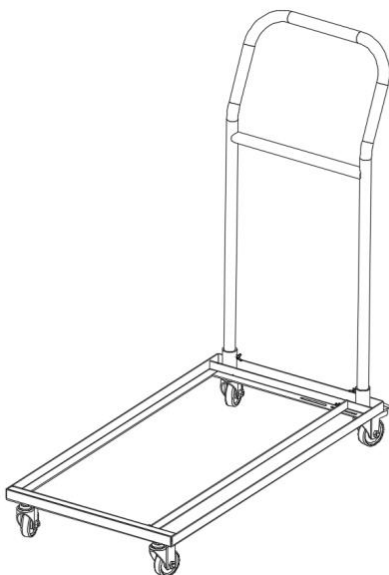
We continue to be committed to provide you tools with competitive price.

"Save Half", "Half Price" or any other similar expressions used by us only represents an estimate of savings you might benefit from buying certain tools with us compared to the major top brands and does not necessarily mean to cover all categories of tools offered by us. You are kindly reminded to verify carefully when you are placing an order with us if you are actually saving half in comparison with the top major brands.

VEVOR®

TOUGH TOOLS, HALF PRICE

CHAIRS CART



Modello: VV4 4

Foto di riferimento

NEED HELP? CONTACT US!

Have product questions? Need technical support? Please feel free to contact us:

Technical Support and E-Warranty Certificate
www.vevor.com/support

This is the original instruction, please read all manual instructions carefully before operating. VEVOR reserves a clear interpretation of our user manual. The appearance of the product shall be subject to the product you received. Please forgive us that we won't inform you again if there are any technology or software updates on our product.

PARAMETRI DEL PRODOTTO

Modello	Dimensioni del prodotto/cm	Numero massimo di sedie trasportabili	accessorio
VV4 4	: 10 8x53,5x10 8	12 pezzi (Max: 136 kg)	Corda elastica×2

AVVERTIMENTO:

Si prega di leggere attentamente questo manuale prima di utilizzare il prodotto. La mancata osservanza di questa precauzione potrebbe causare gravi lesioni.

PRECAUZIONI DI MONTAGGIO

1. Il montaggio deve seguire queste istruzioni. Un montaggio non corretto può essere pericoloso.
2. Durante il montaggio, indossare occhiali protettivi e guanti da lavoro resistenti.
3. Non riunirsi quando si è stanchi o sotto l'effetto di alcol, droghe o farmaci.
4. La capacità di peso e le altre caratteristiche del prodotto si applicano solo a un prodotto completamente e correttamente assemblato.
5. Mantenere l'area di assemblaggio pulita e ben illuminata.
6. Tenere gli astanti fuori dall'area durante l'assemblea.
7. Il peso della piastra è elevato; prestare attenzione all'installazione per evitare di danneggiarla e, se necessario, trovare qualcuno che vi assista nell'installazione.

PRECAUZIONI D'USO

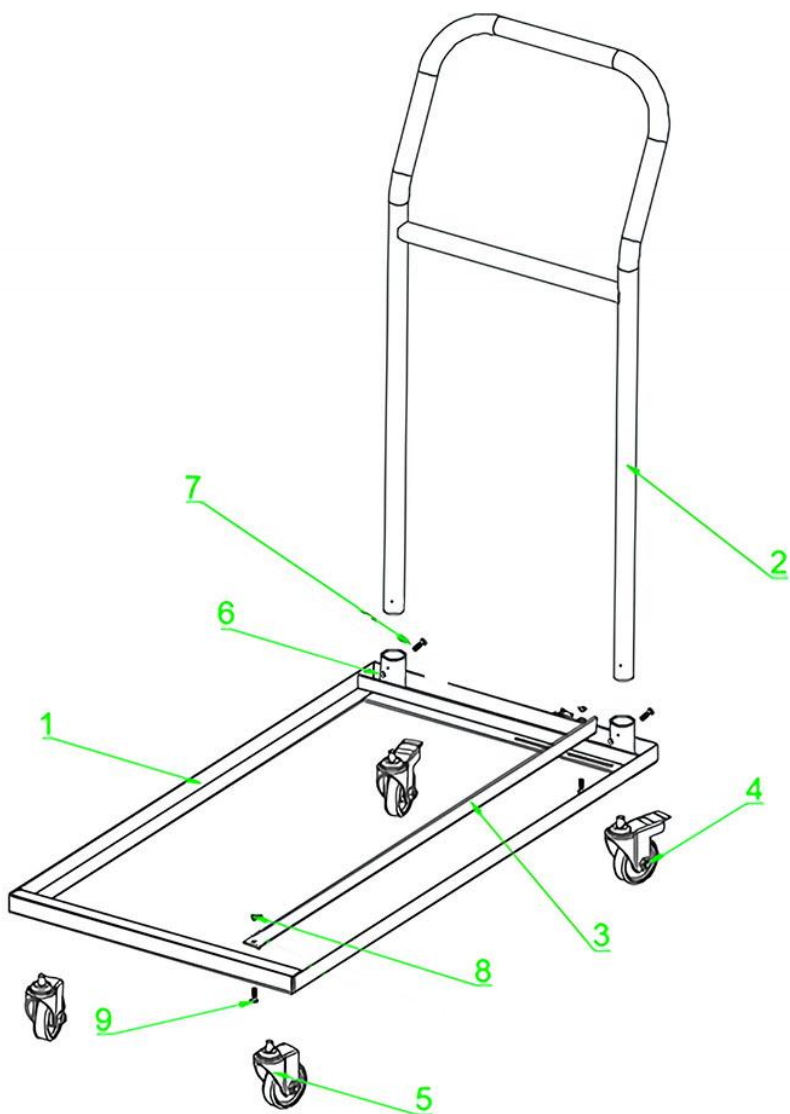


AVVERTIMENTO: PER PREVENIRE LESIONI GRAVI E MORTALI DOVUTE AL RIBALTAMENTO:

1. Questo prodotto non è un giocattolo. Non permettere ai bambini di giocare con questo articolo o di avvicinarsi ad esso.
2. Utilizzare solo come previsto. Non sedersi o stare in piedi sul prodotto.
3. Ispezionare prima di ogni utilizzo. Non utilizzarlo se le parti sono allentate o danneggiate.
4. Utilizzare solo su superfici piane, livellate e dure .
5. Non superare la capacità di peso indicata. Serrare saldamente tutte le manopole prima di applicare il carico. Fare attenzione al carico dinamico! Il movimento improvviso del carico può creare brevemente un carico eccessivo, causando il guasto del prodotto.

SALVA QUESTE ISTRUZIONI

Disegno esploso



Nota : si prega di notare che la barra filettata dell'articolo 9 (bullone M6x12) si trova sotto e il dado (articolo 8: dado M6) si trova sopra, altrimenti interferirà con la ruota universale.

ELENCO DELLE PARTI

NO.	Descrizione	Quantità
01	Supporto di base	1
02	Maniglia	1
03	Trave regolabile	1
04	Ruota con freno	2
05	Ruota	2
06	Dado M 6	2
07	Bullone M 6x40	2
08	Dado M6	2
09	Bullone M6x1 2	2

Pulizia

-Per la pulizia, passare la superficie con un panno umido (non bagnato) oppure asciugarla con un panno di cotone pulito e privo di pelucchi.

Produttore: Shanghaimuxinmuyeyouxiangongsi

Indirizzo: Shuangchenglu 803nong11hao1602A-1609shi, baoshanqu, shanghai 200000 CN.

Importato in AUS: SIHAO PTY LTD. 1 ROKEVA STREETEASTWOOD NSW 2122 Australia

Importato negli USA: Sanven Technology Ltd. Suite 250, 9166 Anaheim Place, Rancho Cucamonga, CA 91730

EC	REP
----	-----

E-CrossStu GmbH
Mainzer Landstr.69, 60329 Frankfurt am Main.

UK	REP
----	-----

YH CONSULTING LIMITED.
C/O YH Consulting Limited Office 147, Centurion House,
London Road. Staines-upon-Thames. Surrey. TW18 4AX

VEVOR[®]

TOUGH TOOLS, HALF PRICE

Supporto tecnico e certificato di garanzia elettronica

www.vevor.com/support

VEVOR[®]

TOUGH TOOLS, HALF PRICE

Soporte técnico y certificado de garantía electrónica

www.vevor.com/support

CARRITO DE SILLAS MANUAL DEL USUARIO

Modelo:VV4 4

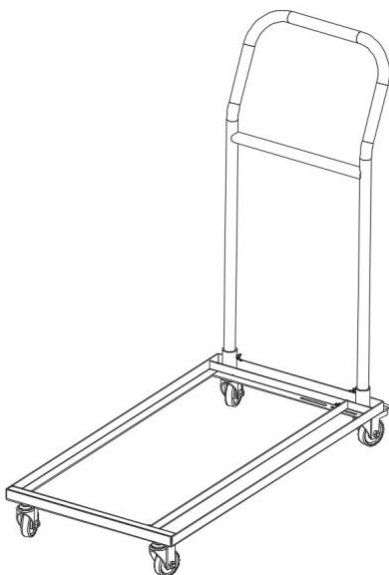
We continue to be committed to provide you tools with competitive price.

"Save Half", "Half Price" or any other similar expressions used by us only represents an estimate of savings you might benefit from buying certain tools with us compared to the major top brands and does not necessarily mean to cover all categories of tools offered by us. You are kindly reminded to verify carefully when you are placing an order with us if you are actually saving half in comparison with the top major brands.

VEVOR®

TOUGH TOOLS, HALF PRICE

CHAIRS CART



Modelo: VV4 4

Foto de referencia

NEED HELP? CONTACT US!

Have product questions? Need technical support? Please feel free to contact us:

Technical Support and E-Warranty Certificate
www.vevor.com/support

This is the original instruction, please read all manual instructions carefully before operating. VEVOR reserves a clear interpretation of our user manual. The appearance of the product shall be subject to the product you received. Please forgive us that we won't inform you again if there are any technology or software updates on our product.

PARÁMETROS DEL PRODUCTO

Modelo	Tamaño del producto/cm	Número máximo de sillas de transporte	accesorio
VV4 4	10 8 x 53,5 x 10 8	12 piezas (máximo: 136 kg)	Cuerda elástica × 2

ADVERTENCIA:

Lea atentamente este manual antes de utilizar el producto. De lo contrario, podría sufrir lesiones graves.

PRECAUCIONES DE MONTAJE

1. Para el montaje, siga estas instrucciones. Un montaje incorrecto puede suponer un riesgo.
2. Use gafas de seguridad y guantes de trabajo resistentes durante el montaje.
3. No se reúna cuando esté cansado o bajo la influencia de alcohol, drogas o medicamentos.
4. La capacidad de peso y otras capacidades del producto solo se aplican a un producto completamente ensamblado y correctamente.
5. Mantenga el área de reunión limpia y bien iluminada.
6. Mantenga a los transeúntes fuera del área durante el montaje.
7. El peso de la placa es elevado; preste atención a la instalación para evitar dañarla y, si es necesario, busque a alguien que lo ayude con la instalación.

PRECAUCIONES DE USO

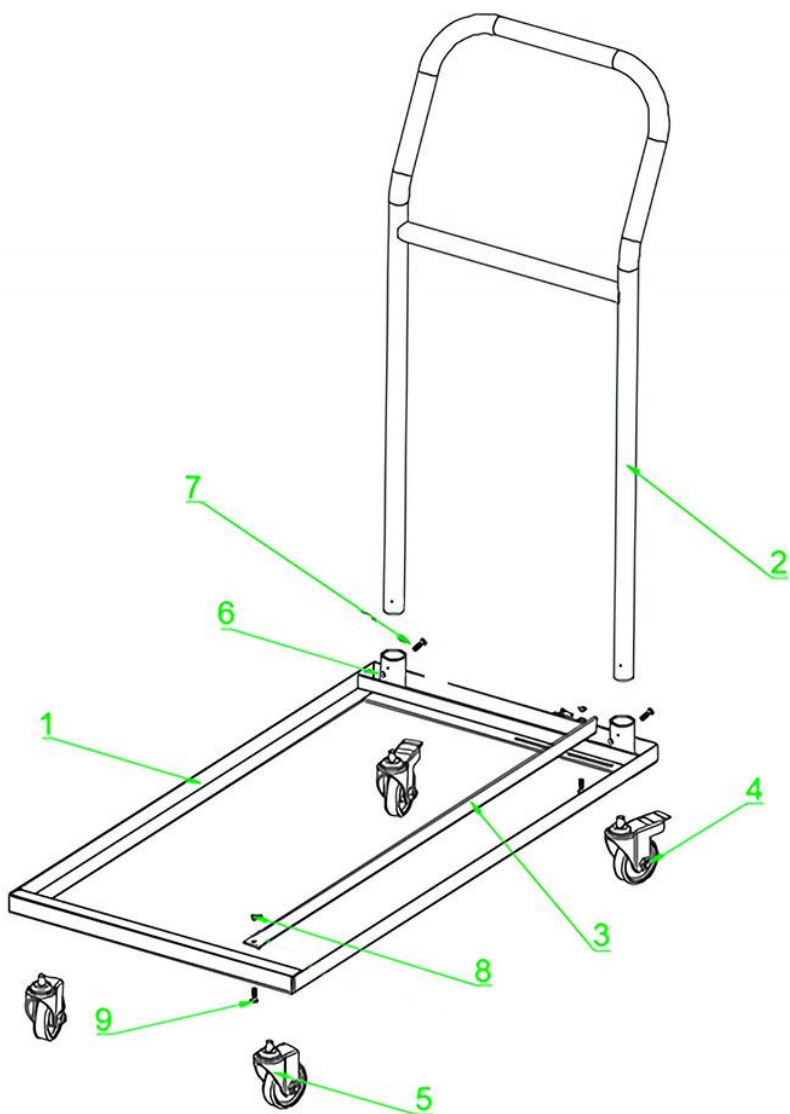


ADVERTENCIA: PARA EVITAR LESIONES GRAVES Y LA MUERTE POR VUELCO:

1. Este producto no es un juguete. No permita que los niños jueguen con este artículo ni se acerquen a él.
2. Utilícelo únicamente para el fin previsto. No se siente ni se pare sobre el producto.
3. Inspeccione el producto antes de cada uso. No lo utilice si hay piezas sueltas o dañadas.
4. Úselo únicamente en superficies planas, niveladas y duras .
5. No exceda la capacidad de peso indicada. Apriete bien todas las perillas antes de aplicar la carga. ¡Tenga cuidado con la carga dinámica! El movimiento repentino de la carga puede crear brevemente un exceso de carga, lo que provocará una falla del producto.

GUARDE ESTAS INSTRUCCIONES

Dibujo despiezado



Nota : tenga en cuenta que la varilla roscada del elemento 9 (perno M6x12) está debajo y la tuerca (elemento 8: tuerca M6) está arriba, de lo contrario interferirá con la rueda universal.

LISTA DE PIEZAS

NO.	Descripción	Cantidad
01	Soporte de base	1
02	Manejar	1
03	Viga ajustable	1
04	Rueda con freno	2
05	Rueda	2
06	Tuerca M6	2
07	Perno M6x40	2
08	Tuerca M6	2
09	Perno M6x1 2	2

Limpieza

-Para limpiar, limpie la superficie con un paño húmedo (no mojado) o seque con un paño de algodón limpio que no suelte pelusa.

Fabricante: Shanghaimuxinmuyeyouxiangongsi

Dirección: Shuangchenglu 803nong11hao1602A-1609shi, baoshanqu, shanghai 200000 CN.

Importado a AUS: SIHAO PTY LTD. 1 ROKEVA STREETEASTWOOD NSW 2122 Australia

Importado a EE. UU.: Sanven Technology Ltd. Suite 250, 9166 Anaheim Place, Rancho Cucamonga, CA 91730

EC	REP
-----------	------------

E-CrossStu GmbH
Mainzer Landstr.69, 60329 Frankfurt am Main.

UK	REP
-----------	------------

YH CONSULTING LIMITED.
C/O YH Consulting Limited Office 147, Centurion House,
London Road. Staines-upon-Thames. Surrey. TW18 4AX

VEVOR[®]

TOUGH TOOLS, HALF PRICE

Soporte técnico y certificado de garantía electrónica

www.vevor.com/support

VEVOR[®]

TOUGH TOOLS, HALF PRICE

Wsparcie techniczne i certyfikat e-gwarancji

www.vevor.com/support

WÓZEK NA KRZESŁA INSTRUKCJA

OBSŁUGI

Model:VV4 4

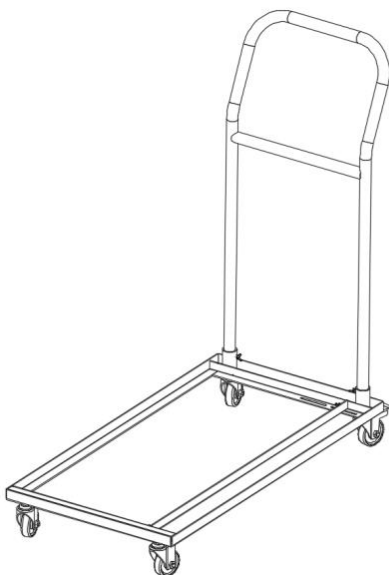
We continue to be committed to provide you tools with competitive price.

"Save Half", "Half Price" or any other similar expressions used by us only represents an estimate of savings you might benefit from buying certain tools with us compared to the major top brands and does not necessarily mean to cover all categories of tools offered by us. You are kindly reminded to verify carefully when you are placing an order with us if you are actually saving half in comparison with the top major brands.

VEVOR®

TOUGH TOOLS, HALF PRICE

CHAIRS CART



Modele: VV4 4

Zdjęcie w celach informacyjnych

NEED HELP? CONTACT US!

Have product questions? Need technical support? Please feel free to contact us:

Technical Support and E-Warranty Certificate
www.vevor.com/support

This is the original instruction, please read all manual instructions carefully before operating. VEVOR reserves a clear interpretation of our user manual. The appearance of the product shall be subject to the product you received. Please forgive us that we won't inform you again if there are any technology or software updates on our product.

PARAMETRY PRODUKTU

Model	Rozmiar produktu/cm	Maksymalna liczba krzeseł nośnych	akcesorium
WV4 4	10 8 x53,5x10 8	12 szt. (maks.: 136 kg)	Sznurek elastyczny×2

OSTRZEŻENIE:

Przed użyciem produktu należy uważnie przeczytać tę instrukcję. Nieprzestrzeganie jej może skutkować poważnymi obrażeniami.

ŚRODKI OSTROŻNOŚCI PODCZAS MONTAŻU

1. Montaż musi być zgodny z poniższymi instrukcjami. Nieprawidłowy montaż może być niebezpieczny.
2. Podczas montażu należy nosić okulary ochronne i solidne rękawice robocze.
3. Nie przychodź na spotkania, jeśli jesteś zmęczony lub pod wpływem alkoholu, narkotyków lub leków.
4. Podane parametry dotyczące nośności i innych parametrów produktu odnoszą się wyłącznie do produktu w całości i prawidłowo zmontowanego.
5. Utrzymuj miejsce zgromadzenia w czystości i zapewnij dobre oświetlenie.
6. Podczas montażu nie dopuszczaj osób postronnych na teren montażu.
7. Płyta jest ciężka; należy zwrócić uwagę na jej montaż, aby jej nie uszkodzić. W razie potrzeby należy poprosić kogoś o pomoc w montażu.

ŚRODKI OSTROŻNOŚCI

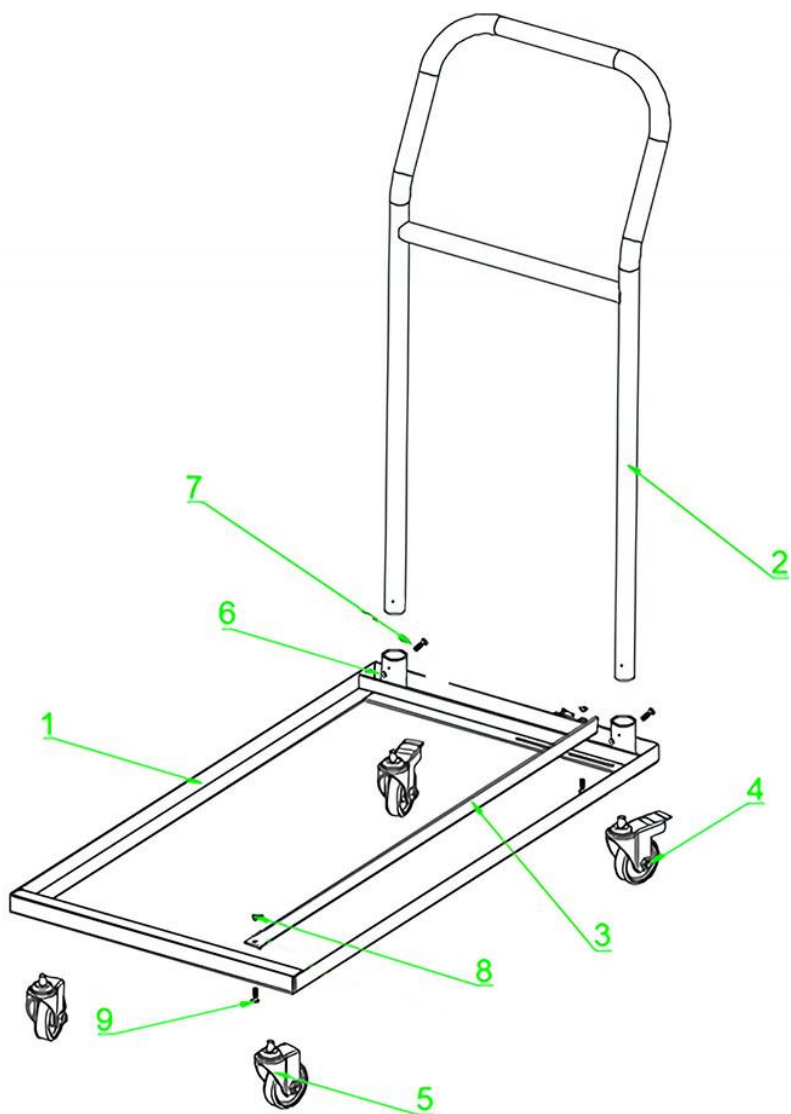


OSTRZEŻENIE: ABY ZAPOBIEC POWAŻNYM OBRAŻENIOM I ŚMIERCI SPOWODOWANEJ PRZEWRÓCENIEM:

1. Ten produkt nie jest zabawką. Nie pozwalaj dzieciom bawić się tym przedmiotem ani zbliżać się do niego.
2. Używać wyłącznie zgodnie z przeznaczeniem. Nie siadać ani nie stawać na produkcie.
3. Przed każdym użyciem sprawdź. Nie używaj, jeśli części są luźne lub uszkodzone.
4. Stosować wyłącznie na płaskich, równych i twardych powierzchniach .
5. Nie przekraczaj podanego udźwigu. Przed zastosowaniem obciążenia dokręć mocno wszystkie pokrętła. Uważaj na obciążenie dynamiczne! Nagły ruch obciążenia może na krótko spowodować nadmierne obciążenie, powodując awarię produktu.

ZAPISZ TE INSTRUKCJE

Rysunek wybuchowy



Uwaga : należy pamiętać, że pręt śrubowy elementu 9 (śruba M6x12) znajduje się poniżej, a nakrętka (element 8: nakrętka M6) powyżej, w przeciwnym razie będzie kolidować z kołem uniwersalnym.

LISTA CZĘŚCI

NIE.	Opis	Ilość
01	Wsparcie podstawowe	1
02	Uchwyt	1
03	Regulowana belka	1
04	Koło z hamulcem	2
05	Koło	2
06	Nakrętka M 6	2
07	Śruba M 6x40	2
08	Nakrętka M6	2
09	Śruba M6x1 2	2

Czyszczenie

- W celu czyszczenia przetrzyj powierzchnię wilgotną (nie mokrą) szmatką lub wytrzyj do sucha czystą, bawełnianą szmatką niepozostawiającą włókien.

Producent: Shanghaimuxinmuyeyouxiangongsi

Adres: Shuangchenglu 803nong11hao1602A-1609shi, baoshanqu, szanghaj 200000 CN.

Importowane do AUS: SIHAO PTY LTD. 1 ROKEVA STREETEASTWOOD NSW 2122 Australia

Importowane do USA: Sanven Technology Ltd. Suite 250, 9166 Anaheim Place, Rancho Cucamonga, CA 91730

EC	REP
----	-----

E-CrossStu GmbH
Mainzer Landstr.69, 60329 Frankfurt am Main.

UK	REP
----	-----

YH CONSULTING LIMITED.
C/O YH Consulting Limited Office 147, Centurion House,
London Road. Staines-upon-Thames. Surrey. TW18 4AX

VEVOR[®]

TOUGH TOOLS, HALF PRICE

Wsparcie techniczne i certyfikat e-gwarancji

www.vevor.com/support

VEVOR[®]

TOUGH TOOLS, HALF PRICE

Technische ondersteuning en e-garantiecertificaat

www.vevor.com/support

STOELNKAR

GEBRUIKERSHANDLEIDING

Model:VV4 4

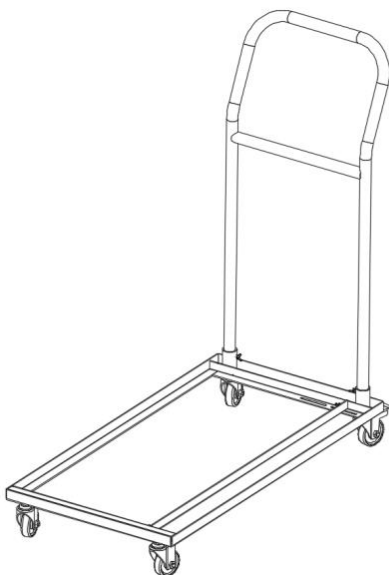
We continue to be committed to provide you tools with competitive price.

"Save Half", "Half Price" or any other similar expressions used by us only represents an estimate of savings you might benefit from buying certain tools with us compared to the major top brands and does not necessarily mean to cover all categories of tools offered by us. You are kindly reminded to verify carefully when you are placing an order with us if you are actually saving half in comparison with the top major brands.

VEVOR®

TOUGH TOOLS, HALF PRICE

CHAIRS CART



Model: VV4 4

Foto ter referentie

NEED HELP? CONTACT US!

Have product questions? Need technical support? Please feel free to contact us:

Technical Support and E-Warranty Certificate
www.vevor.com/support

This is the original instruction, please read all manual instructions carefully before operating. VEVOR reserves a clear interpretation of our user manual. The appearance of the product shall be subject to the product you received. Please forgive us that we won't inform you again if there are any technology or software updates on our product.

PRODUCTPARAMETERS

Model	Productgrootte/cm	Maximaal aantal draagstoelen	accessoire
VV4 4	10 8x53,5x10 8	12 stuks (Max: 136 kg)	Elastisch touw×2

WAARSCHUWING:

Lees deze handleiding zorgvuldig door voordat u het product gebruikt. Als u dit niet doet, kan dit leiden tot ernstig letsel.

MONTAGEVOORZORGSMATREGELEN

1. Assembleer volgens deze instructies. Onjuiste montage kan gevaarlijk zijn.
2. Draag tijdens de montage een veiligheidsbril en stevige werkhandschoenen.
3. Kom niet bijeen als u moe bent of onder invloed van alcohol, drugs of medicijnen.
4. Het draagvermogen en andere producteigenschappen gelden alleen voor een volledig en correct gemonteerd product.
5. Zorg ervoor dat de verzamelplaats schoon en goed verlicht is.
6. Houd omstanders uit de buurt tijdens de montage.
7. De plaat weegt veel. Let goed op bij de installatie, zodat u de plaat niet beschadigt. Schakel indien nodig iemand in die u kan helpen met de installatie.

GEBRUIK VOORZORGSMATREGELEN

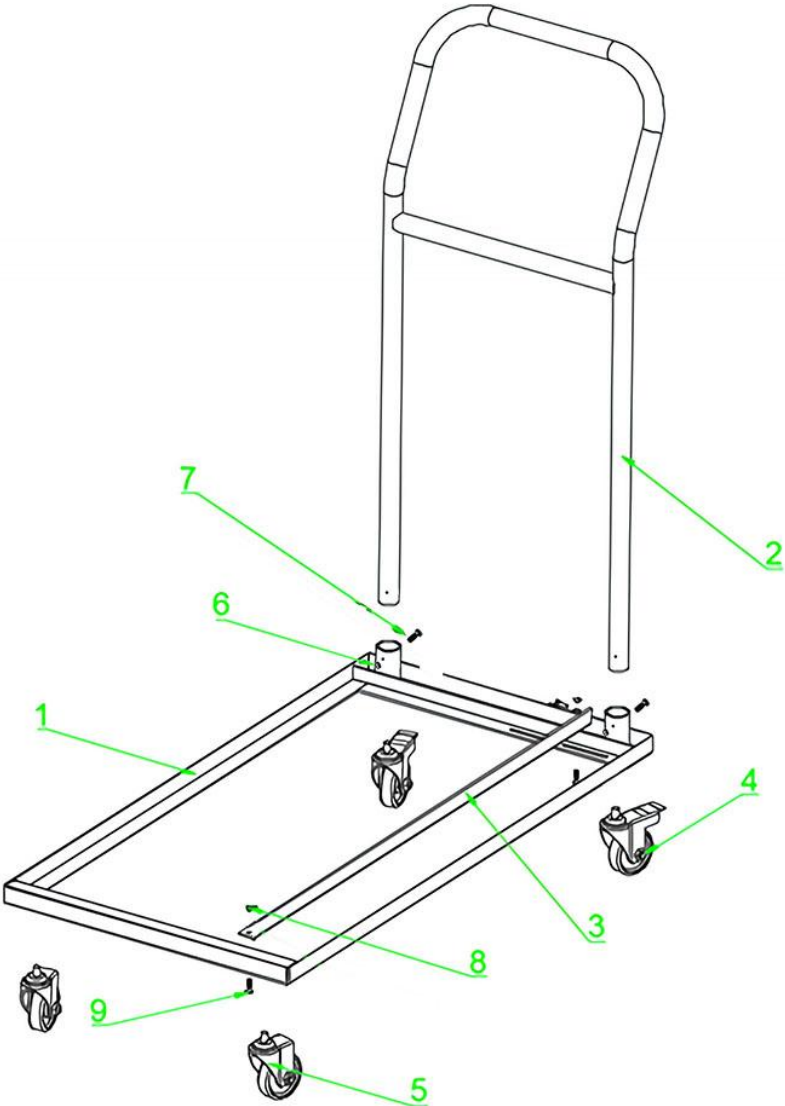


WAARSCHUWING: OM ERNSTIG LETSEL EN DE DOOD DOOR KANTELEN TE VOORKOMEN:

1. Dit product is geen speelgoed. Laat kinderen niet met dit item spelen of in de buurt ervan komen.
2. Gebruik alleen zoals bedoeld. Ga niet op het product zitten of staan.
3. Inspecteer voor elk gebruik. Gebruik het niet als onderdelen los of beschadigd zijn.
4. Alleen gebruiken op vlakke, vlakke en harde oppervlakken .
5. Overschrijd de vermelde gewichtscapaciteit niet. Draai alle knoppen stevig vast voordat u de belasting aanbrengt. Wees u bewust van dynamische belasting! De plotselinge belastingbeweging kan kortstondig een overmatige belasting creëren, waardoor het product defect raakt.

BEWAAR DEZE INSTRUCTIES

Exploded Tekening



Let op : houd er rekening mee dat de schroefstang van Item 9 (bout M6x12) zich onderaan bevindt en de moer (item 8: M6-moer) zich bovenaan bevindt, anders kan dit de werking van het universele wiel belemmeren.

ONDERDELENLIJST

NEE.	Beschrijving	Hoeveelheid
01	Basisondersteuning	1
02	Hendel	1
03	Verstelbare balk	1
04	Wiel met rem	2
05	Wiel	2
06	M 6 moer	2
07	Bout M 6x40	2
08	M6 moer	2
09	Bout M6x1 2	2

Schoonmaak

- Voor het reinigen veegt u het oppervlak af met een vochtige (geen natte) doek of droogt u het af met een schone, pluisvrije katoenen doek.

Fabrikant: Shanghaimuxinmuyeyouxiangongsi

Adres: Shuangchenglu 803nong11hao1602A-1609shi, baoshanqu, shanghai 200000 CN.

Geïmporteerd naar AUS: SIHAO PTY LTD. 1 ROKEVA
STREETEASTWOOD NSW 2122 Australië

Geïmporteerd naar de VS: Sanven Technology Ltd. Suite 250, 9166 Anaheim Place, Rancho Cucamonga, CA 91730

EC	REP
-----------	------------

E-CrossStu GmbH
Mainzer Landstr.69, 60329 Frankfurt am Main.

UK	REP
-----------	------------

YH CONSULTING LIMITED.
C/O YH Consulting Limited Office 147, Centurion House,
London Road, Staines-upon-Thames, Surrey, TW18 4AX

VEVOR[®]

TOUGH TOOLS, HALF PRICE

Technische ondersteuning en e-garantiecertificaat

www.vevor.com/support

VEVOR[®]

TOUGH TOOLS, HALF PRICE

Teknisk support och e-garanticertifikat

www.vevor.com/support

STOLAR VAGN ANVÄNDARMANUAL

Modell: VV4 4

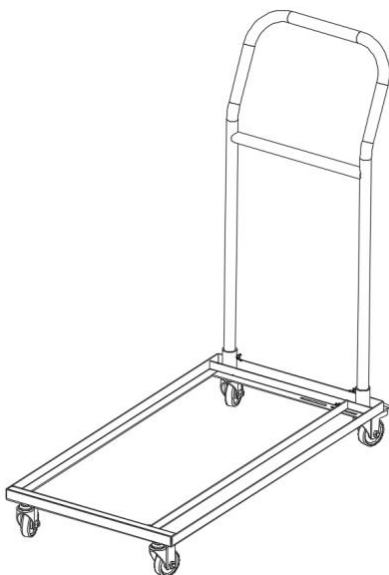
We continue to be committed to provide you tools with competitive price.

"Save Half", "Half Price" or any other similar expressions used by us only represents an estimate of savings you might benefit from buying certain tools with us compared to the major top brands and does not necessarily mean to cover all categories of tools offered by us. You are kindly reminded to verify carefully when you are placing an order with us if you are actually saving half in comparison with the top major brands.

VEVOR®

TOUGH TOOLS, HALF PRICE

CHAIRS CART



Modell: VV4 4

Foto för referens

NEED HELP? CONTACT US!

Have product questions? Need technical support? Please feel free to contact us:

Technical Support and E-Warranty Certificate
www.vevor.com/support

This is the original instruction, please read all manual instructions carefully before operating. VEVOR reserves a clear interpretation of our user manual. The appearance of the product shall be subject to the product you received. Please forgive us that we won't inform you again if there are any technology or software updates on our product.

PRODUKTPARAMETRAR

Modell	Produktstorlek/cm	Max antal bärstolar	åtföljande
VV4 4	10 8 x 53,5 x 10 8	12 st (Max: 136 kg)	Elastiskt snöre×2

VARNING:

Läs denna bruksanvisning noggrant innan du använder produkten.

Underlåtenhet att göra det kan leda till allvarliga skador.

FÖRSIKTIGHETSÅTGÄRDER FÖR

MONTERING

1. Montering måste följa dessa instruktioner. Felaktig montering kan vara en fara.
2. Använd skyddsglasögon och kraftiga arbetshandskar vid montering.
3. Sätt dig inte ihop när du är trött eller påverkad av alkohol, droger eller medicin.
4. Viktkapacitet och andra produkttegenskaper gäller endast för en helt och korrekt monterad produkt.
5. Håll monteringsområdet rent och väl upplyst.
6. Håll åskådare borta från området under monteringen.
7. Vikten på plattan är tung; Var uppmärksam på installationen för att undvika att skada den, och vid behov, hitta någon som kan hjälpa till med installationen.

ANVÄND FÖRSIKTIGHETSÅTGÄRDER

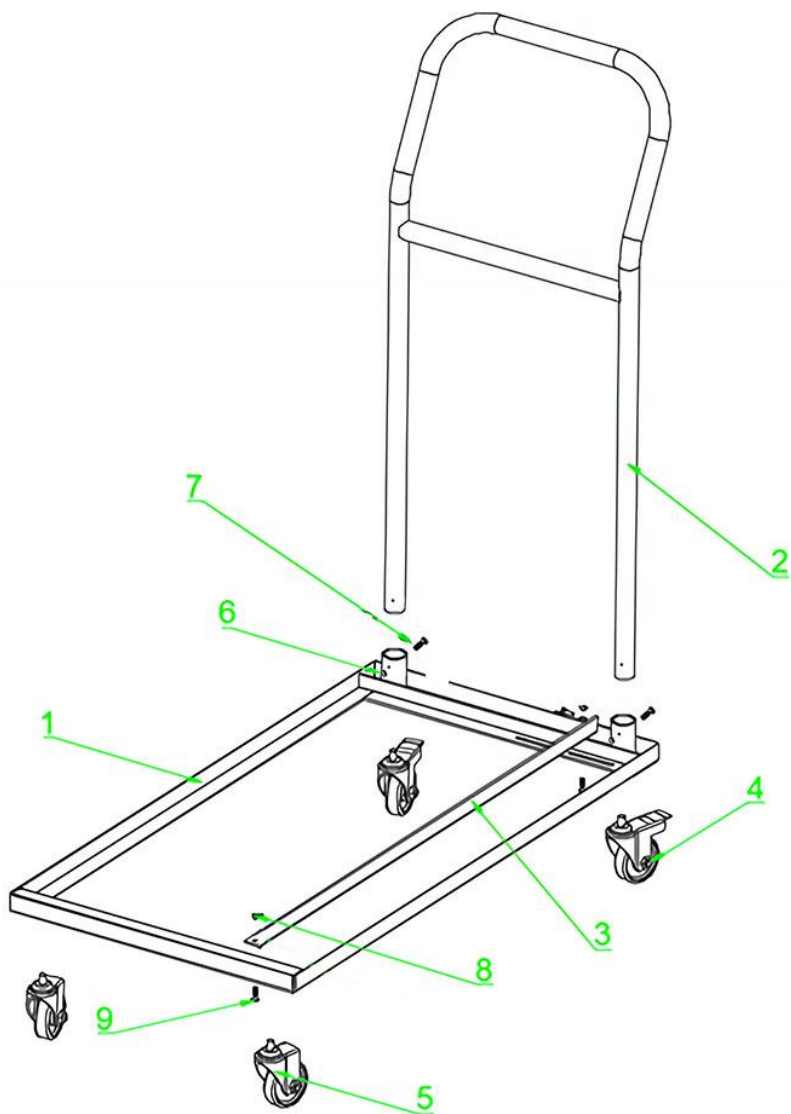


VARNING: FÖR ATT FÖRHINDRA ALLVARLIGA SKADA OCH DÖDSFALL VID VÄLLNING:

1. Denna produkt är inte en leksak. Låt inte barn leka med eller närma sig detta föremål.
2. Använd endast på avsett sätt. Sitt eller stå inte på produkten.
3. Inspektera före varje användning. Använd den inte om delar är lösa eller skadade.
4. Använd endast på plana, jämna och hårda ytor .
5. Överskrid inte den angivna viktkapaciteten. Dra åt alla knoppar ordentligt innan du applicerar belastning. Var uppmärksam på dynamisk laddning! Den plötsliga laströrelsen kan kortvarigt skapa en överbelastning, vilket kan orsaka produktfel.

SPARA DESSA INSTRUKTIONER

Exploderad ritning



Notera : notera att skruvstången i artikel 9 (bult M6x12) är under och muttern (artikel 8: M6 mutter) är ovanför, annars kommer den att störa universalhjulet.

DELLISTA

INGA.	Beskrivning	Kvantitet
01	Basstöd	1
02	Hantera	1
03	Justerbar balk	1
04	Hjul med broms	2
05	Hjul	2
06	M 6 Mutter	2
07	Bult M 6x40	2
08	M6 Mutter	2
09	Bult M6x1 2	2

Rengöring

-För rengöring, torka av ytan med en fuktig (inte våt) trasa eller torka av med en ren luddfri bomullstrasa.

Tillverkare: Shanghaimuxinmuyeyouxiangongsi

Adress: Shuangchenglu 803nong11hao1602A-1609shi, baoshanqu, shanghai 200000 CN.

Importerad till AUS: SIHAO PTY LTD. 1 ROKEVA STREETEASTWOOD NSW 2122 Australien

Importerad till USA: Sanven Technology Ltd. Suite 250, 9166 Anaheim Place, Rancho Cucamonga, CA 91730

EC	REP
-----------	------------

E-CrossStu GmbH
Mainzer Landstr.69, 60329 Frankfurt am Main.

UK	REP
-----------	------------

YH CONSULTING LIMITED.
C/O YH Consulting Limited Office 147, Centurion House,
London Road, Staines-upon-Thames, Surrey, TW18 4AX

VEVOR[®]

TOUGH TOOLS, HALF PRICE

Teknisk support och e-garanticertifikat

www.vevor.com/support