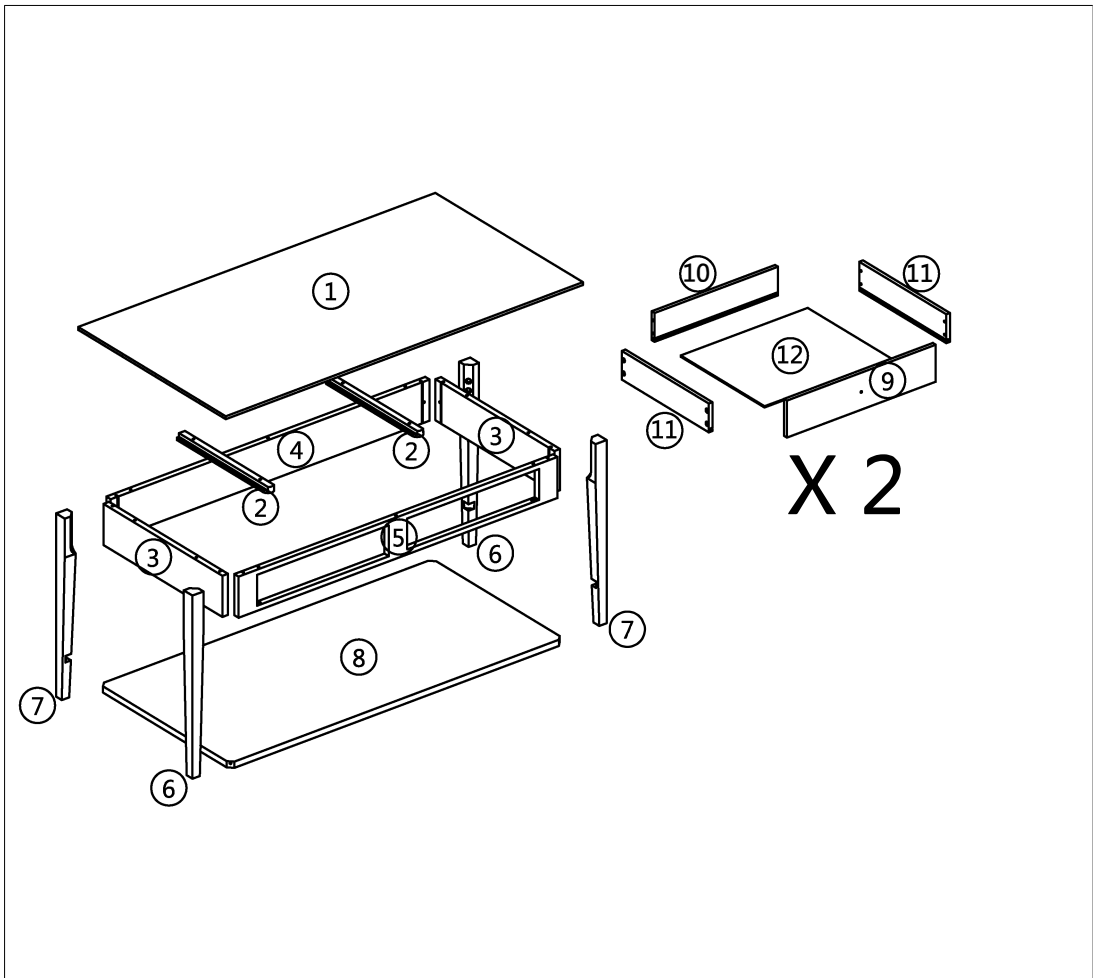
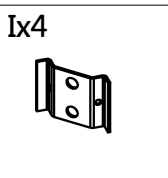
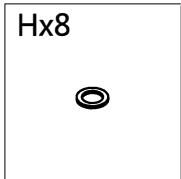
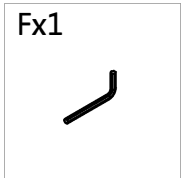
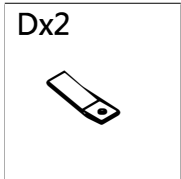
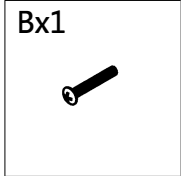
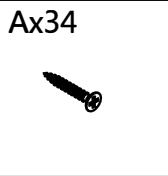


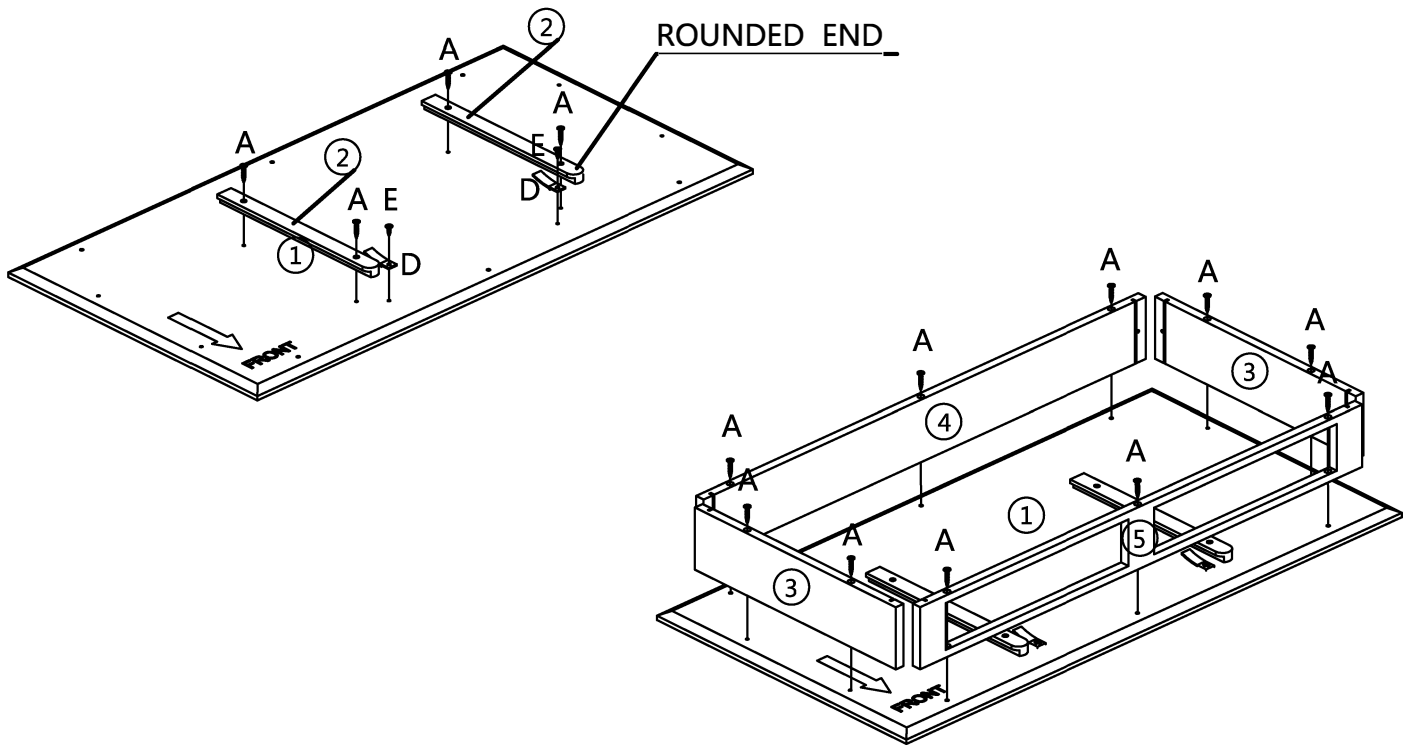
Assembly Instructions

- Renewable resource – Bamboo has the Fastest Growing Cycle of any furniture raw material – 5 years sprout to harvest.
- Bamboo also has superior structural strength as well as the lowest moisture expansion/contraction displacement of any furniture raw material 50% lower than Oak or Pine
- Environmentally desirable UV activated finish – virtually 100% of the finish is utilized without spray or runoff waste and it dries instantly when exposed to UV Light without heat.

Before Assembly – Please place all parts onto a clean dry and soft surface to avoid damage during the assembly of your furniture.

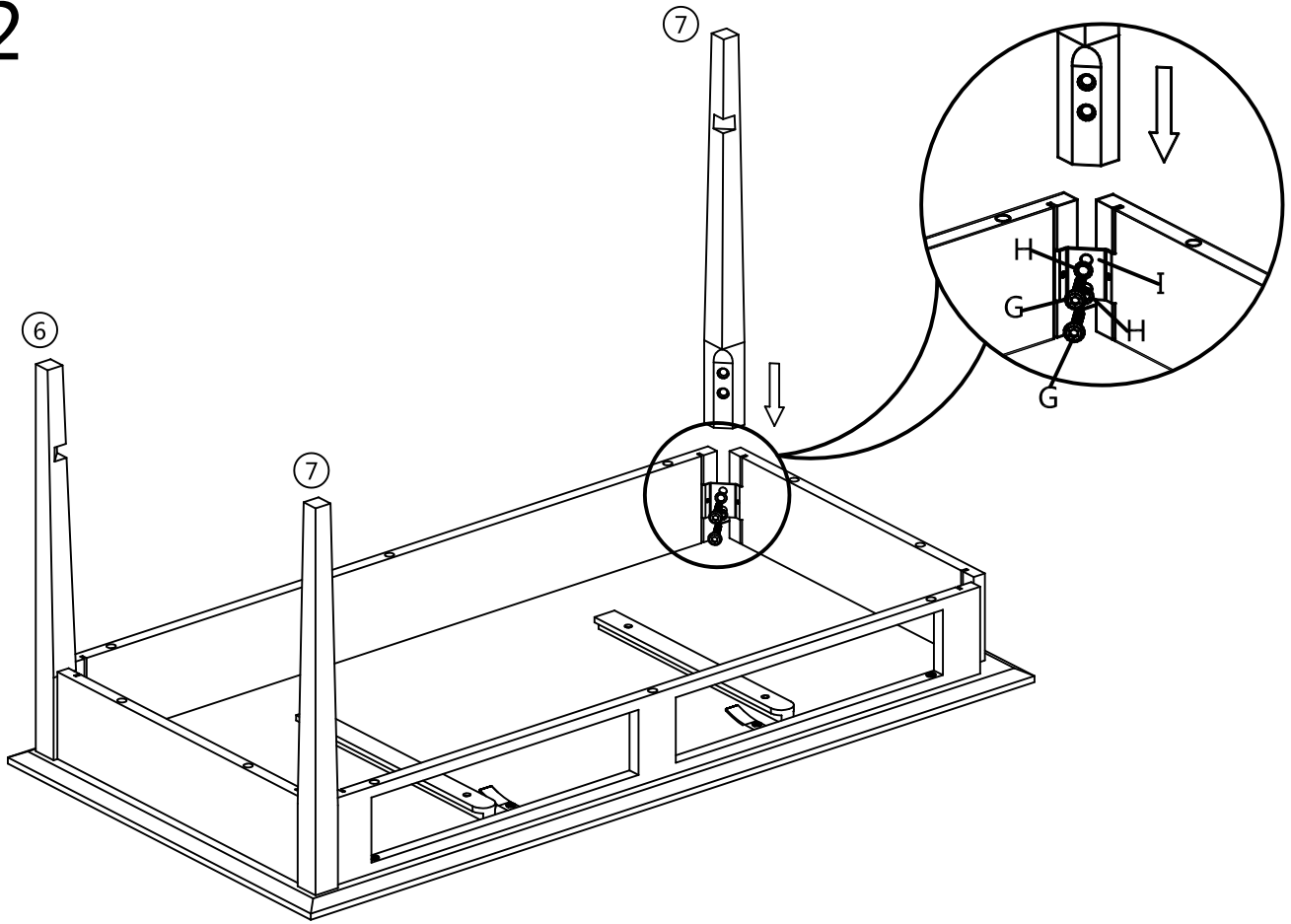


1

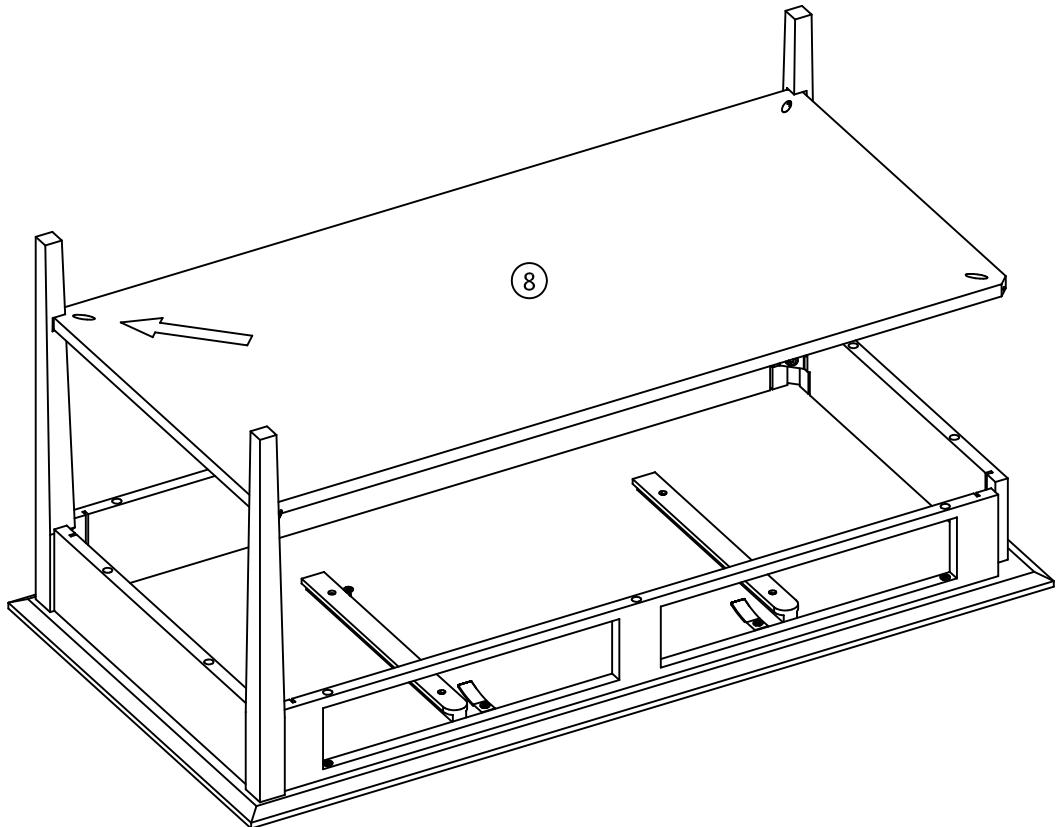


Note: The Drawer Slide Crossbar (2) should be assembled with round end toward the front of the table and with the widest part of its surface away from the table top as shown.

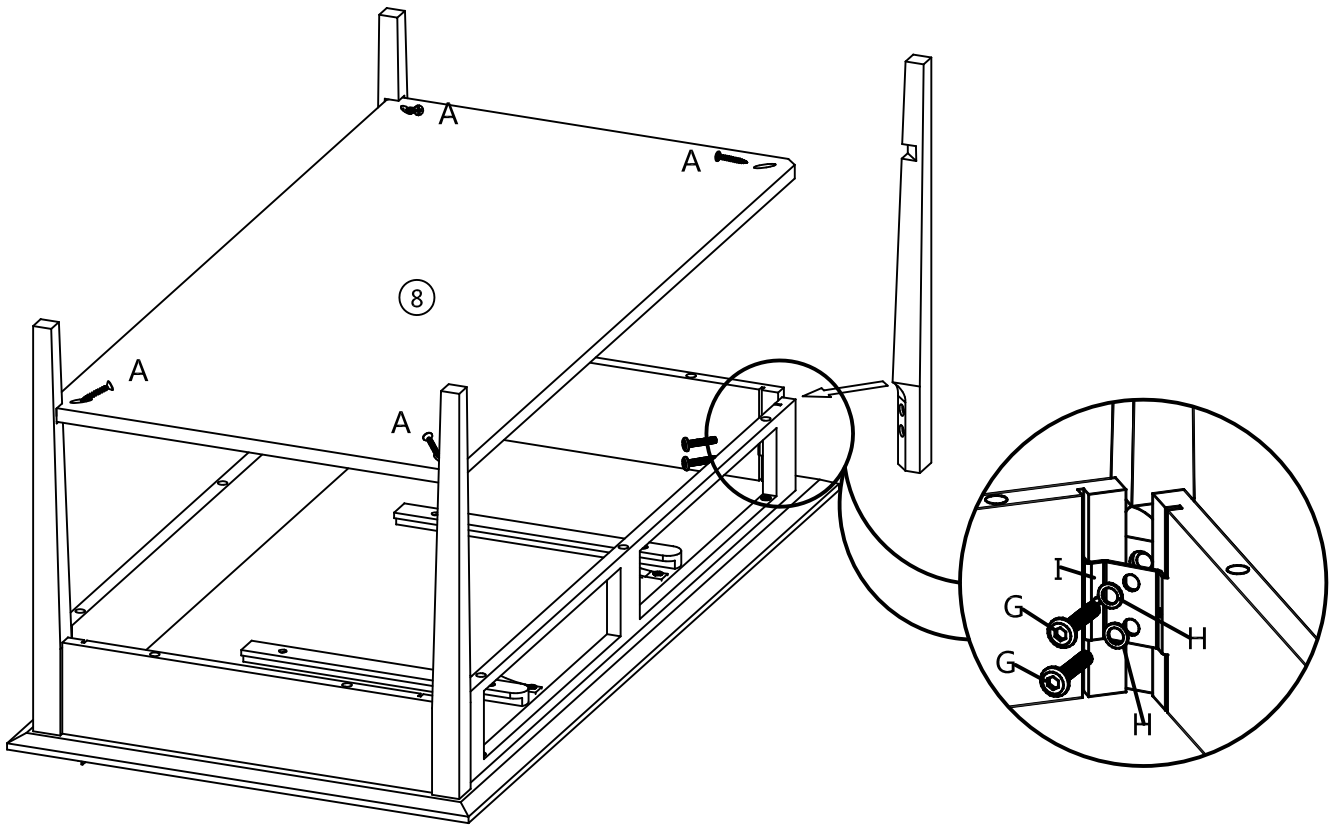
2



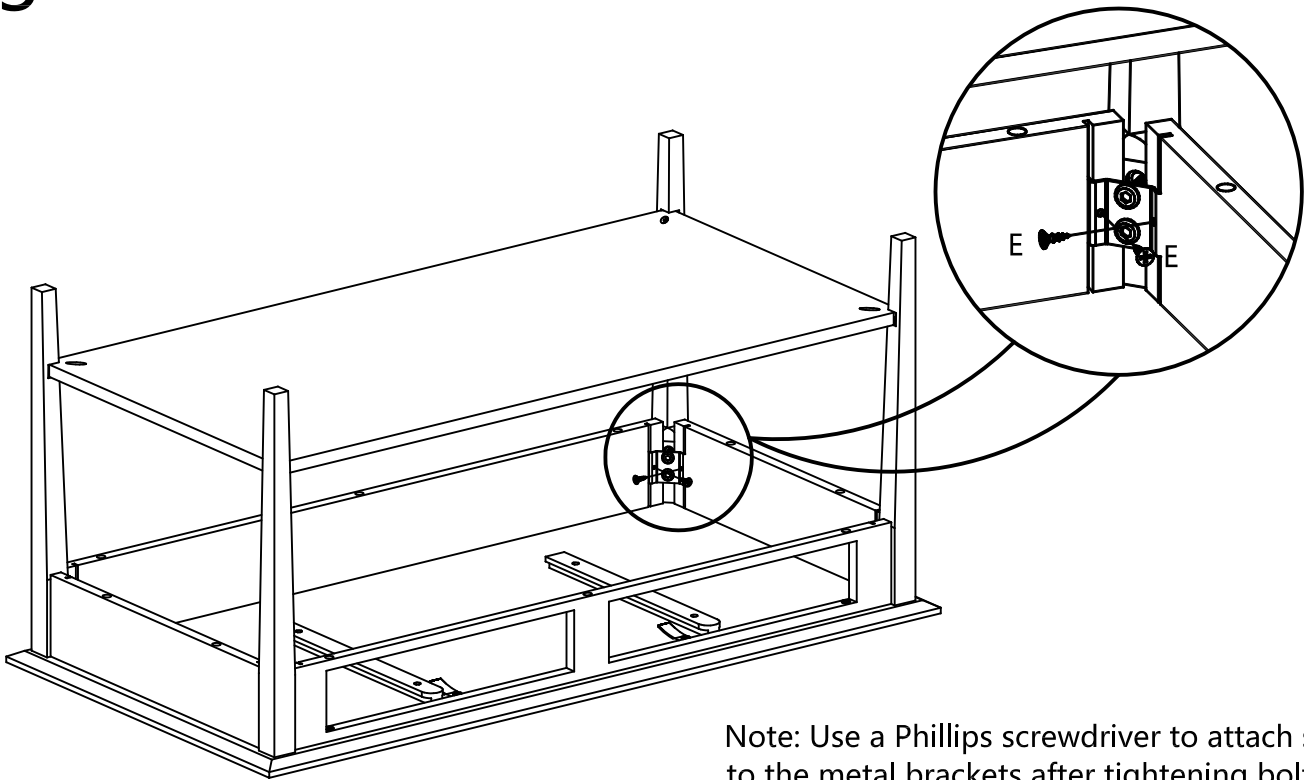
3



4



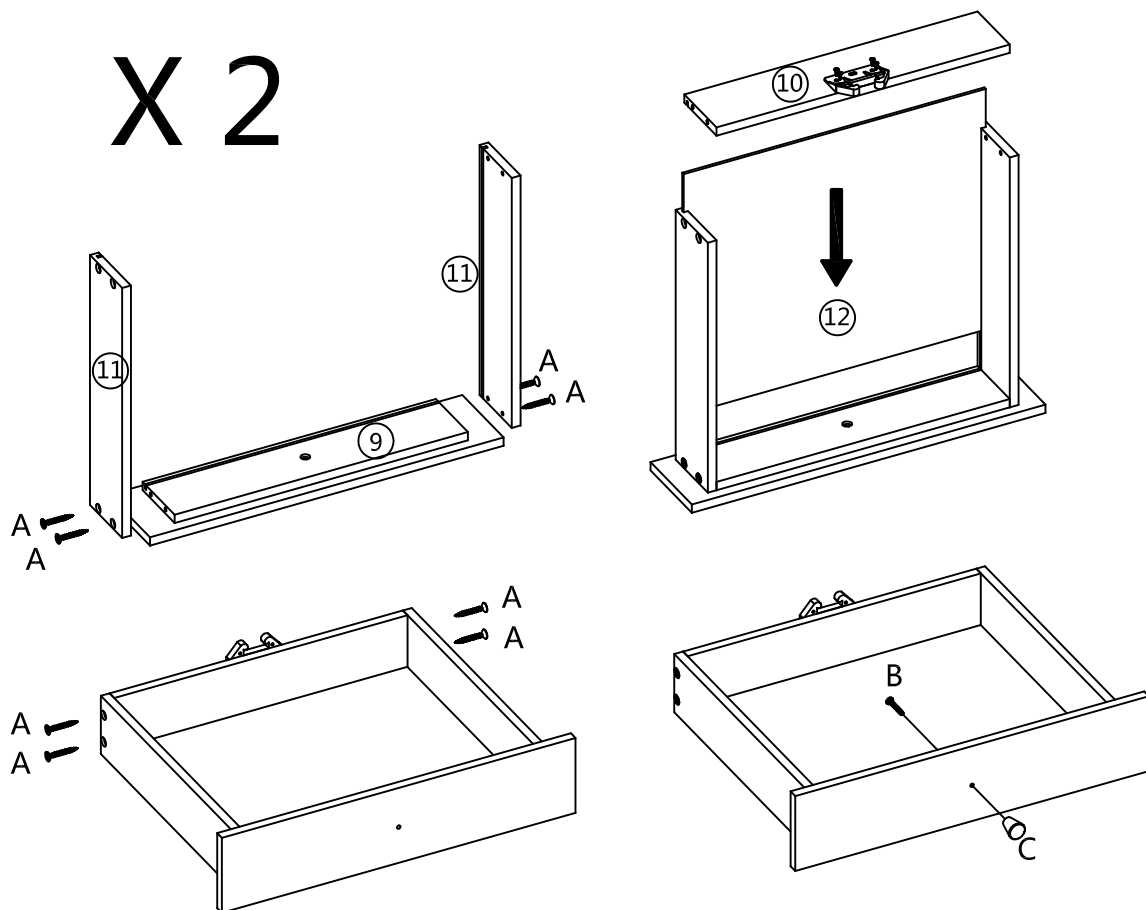
5



Note: Use a Phillips screwdriver to attach screws E to the metal brackets after tightening bolts (G) with washers (H) to each corner. if you use a drill, be careful not to over tighten or strip the wood.

6

X 2



Tip the rear of the drawer down allowing the Nylon Drawer Glide bracket room to go up and through the drawer opening of the front apron and then insert over the drawer glide

7

