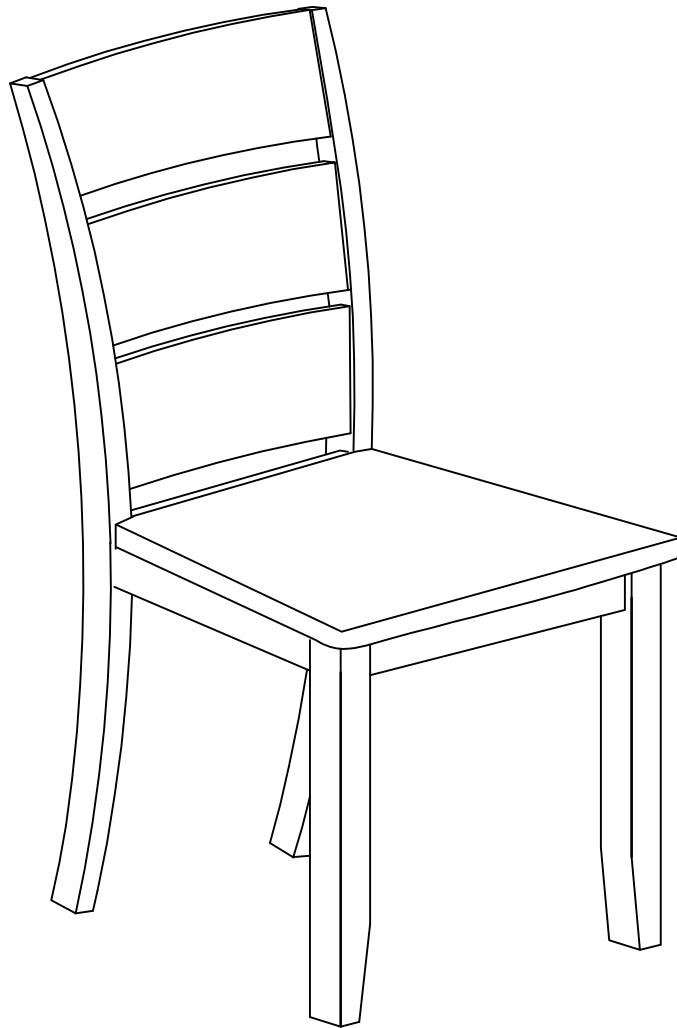
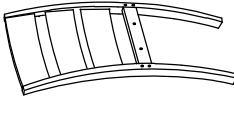
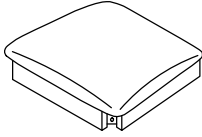
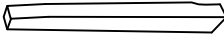
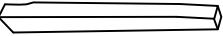


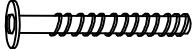
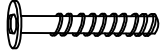
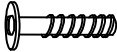
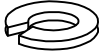

Dining Chair




PART LIST

<div data-bbox="197 226 240 264" data-label="Text">#A</div> 	<div data-bbox="440 226 483 264" data-label="Text">#B</div> 	<div data-bbox="683 226 726 264" data-label="Text">#C</div> 	<div data-bbox="925 226 968 264" data-label="Text">#D</div> 
<div data-bbox="277 495 359 562" data-label="Text"> <p>Back 2 PCS</p> </div>	<div data-bbox="518 495 600 562" data-label="Text"> <p>Seat 2 PCS</p> </div>	<div data-bbox="735 495 874 562" data-label="Text"> <p>Right Leg 2 PCS</p> </div>	<div data-bbox="979 495 1102 562" data-label="Text"> <p>Left Leg 2 PCS</p> </div>

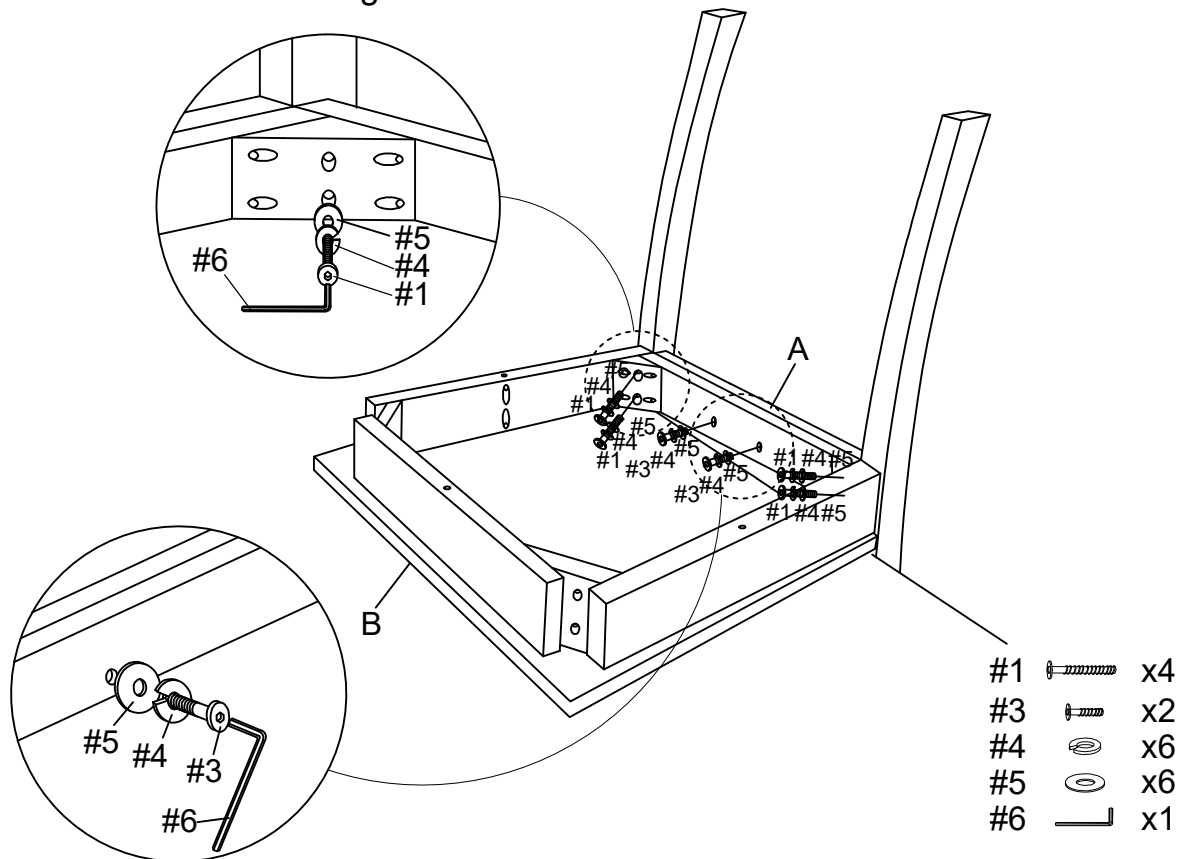
HARDWARE LIST

<div data-bbox="197 770 240 808" data-label="Text">#1</div> 	<div data-bbox="440 770 483 808" data-label="Text">#2</div> 	<div data-bbox="683 770 726 808" data-label="Text">#3</div> 	<div data-bbox="925 770 968 808" data-label="Text">#4</div> 	<div data-bbox="1166 770 1209 808" data-label="Text">#5</div> 
<div data-bbox="237 983 400 1016" data-label="Text"> <p>M6 x 80mm</p> </div>	<div data-bbox="480 983 643 1016" data-label="Text"> <p>M6 x 60mm</p> </div>	<div data-bbox="722 983 885 1016" data-label="Text"> <p>M6 x 40mm</p> </div>		
<div data-bbox="221 1039 419 1106" data-label="Text"> <p>Long Bolt 8 PCS (Extra 1)</p> </div>	<div data-bbox="461 1039 659 1106" data-label="Text"> <p>Bolt 8 PCS (Extra 1)</p> </div>	<div data-bbox="703 1039 901 1106" data-label="Text"> <p>Short Bolt 4 PCS (Extra 1)</p> </div>	<div data-bbox="932 1039 1145 1106" data-label="Text"> <p>Spring Washer 20 PCS (Extra 1)</p> </div>	<div data-bbox="1176 1039 1390 1106" data-label="Text"> <p>Flat Washer 20 PCS (Extra 1)</p> </div>

<div data-bbox="197 1164 240 1202" data-label="Text">#6</div> 
<div data-bbox="292 1375 339 1408" data-label="Text"> <p>M4</p> </div> <div data-bbox="225 1431 408 1498" data-label="Text"> <p>Allen Wrench 1 PC</p> </div>

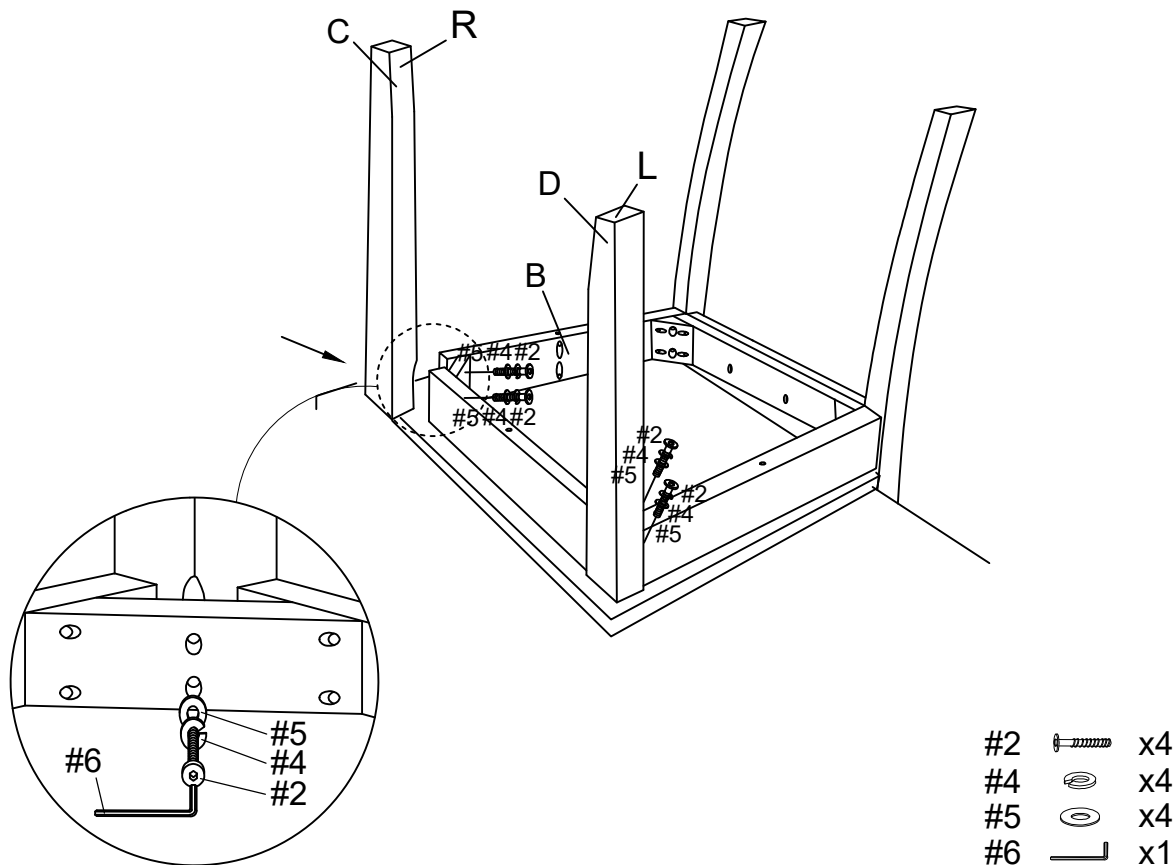
Step 1 Attach seat (part B) to back (part A) using long bolts (part #1) short bolts (part #3) spring washers (part #4) flat washers (part #5) and allen wrench (part #6)

NOTE Please do not fully tighten bolts until unit is fully assembled



Step 2 Attach legs (parts C & D) to seat (part B) using bolts (part #2) spring washers (part #4) flat washers (part #5) and allen wrench (part #6)

NOTE Please fully tighten all bolts at this time



Step 3. Carefully turn unit upright. Repeat steps 1-2 to assemble remaining chair.

