







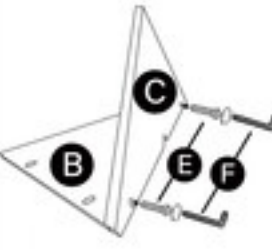
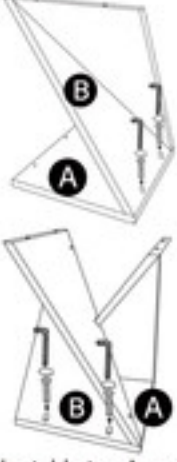


Thank You For Shopping With COZAYH HOME

We value your feedback and want to hear from you. To let us know how we can improve your shopping experience, or to ask a specific question about your order, please find our contact information below.

Customer Service Line: 1.312.600.5553 (M-F 9am-5pm Central Time)

Customer Service Email: Support@cozayh.com

Website: www.cozayhome.com

Assembly Instructions											
SKU: PH03124		Laying out all parts and hardware, identifying each part as shown may help you assemble the table.									
ITEM	PART	DESC.	QTY	ITEM	PART	DESC.	QTY	ITEM	PART	DESC.	QTY
A		Table Top	1	C		Wood Panel (with flat acute angle)	2	E		Bolts	12
B		Wood Panel (with pointed acute angle)	2	D		Bottom Shelf	1	F		Allen Wrench	1
NOTE: Do NOT fully tighten any screw until all components are properly attached.											
STEP 1			STEP 2			STEP 3			STEP 4		
 <p>Attach wood panel C to wood panel B with bolts as shown. Repeat twice.</p>			 <p>Flip the table top A upside down, attach wood panel B to the bottom of table top A with bolts as shown.</p>			 <p>Attach bottom shelf D to wood panels C with bolts as shown.</p>			 <p>Finished product. Please make sure all the bolts are fully tightened before using this table.</p>		



WARNING

- Do not dispose of any packaging or contents of the shipping carton until assembly is completed to avoid accidentally discarding small parts or hardware.
- Choking Hazard - Adult assembly required. It may contain small parts and sharp points.
- Do NOT use power tools.
- This product can hold a maximum load of 25 Lbs. Do NOT overload.



COZAYH HOME