

# Top Assembly Instructions

Wood Top

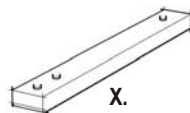


## PART LIST

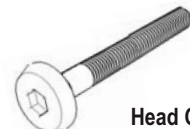


W1.  
Top  
1 pc.

## HARDWARE LIST



X.  
Top Support  
2 pcs.

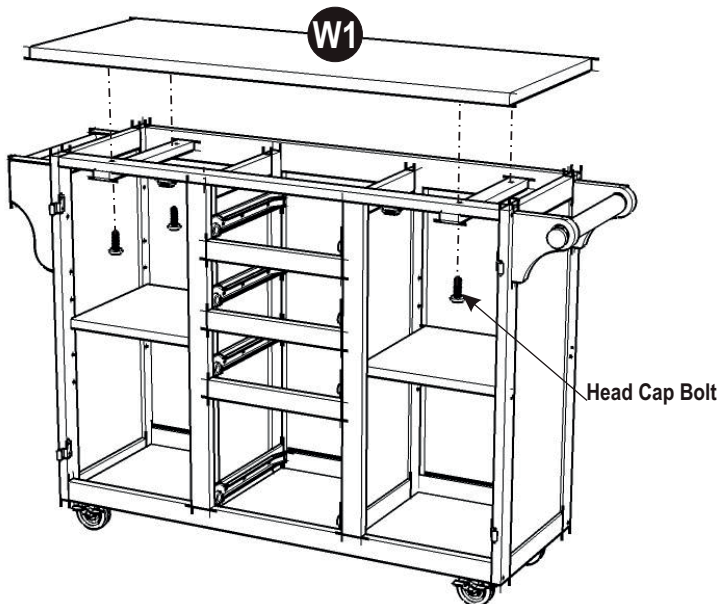
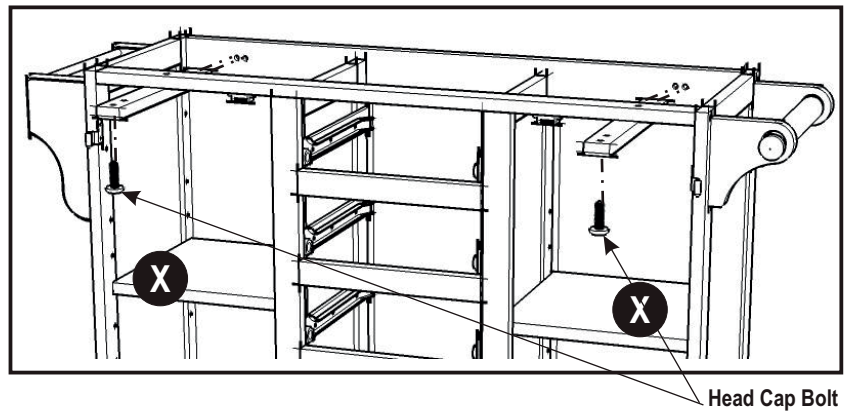


Head Cap Bolt  
6 pcs. (+1 extra)

# Top Assembly Instructions

## STEP 1

Put Top Support (X) into the pre-drilled holes, using Head Cap Bolts to attach it to the unit.



## STEP 2

Place Top (W1) onto the unit, then tighten up all Head Cap Bolts.

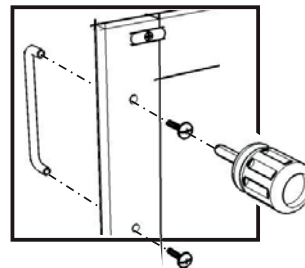


Figure 1

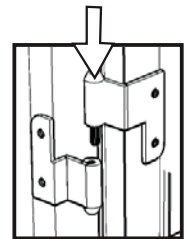


Figure 2

## STEP 3

Attach Pull Handles to Door (S) and (T), using Machine Screws. (See figure 1)

Attach Door (S) and (T) to Side Panel (A) and (B), slide the door lift hinges into the side panel lift hinges. (See figure 2)

Slide Drawers (U) and (V) into place.

